



US00D704194S

(12) **United States Design Patent**
Young

(10) **Patent No.:** **US D704,194 S**
(45) **Date of Patent:** **** May 6, 2014**

(54) **CLIP AND HANDLE FOR ELECTRONIC DEVICE**

(71) Applicant: **Jordan Young**, Ridgefield, CT (US)

(72) Inventor: **Jordan Young**, Ridgefield, CT (US)

(**) Term: **14 Years**

(21) Appl. No.: **29/439,513**

(22) Filed: **Dec. 12, 2012**

(51) **LOC (10) Cl.** **14-02**

(52) **U.S. Cl.**
USPC **D14/440**

(58) **Field of Classification Search**

USPC D14/250, 251, 253, 240, 217, 496, 440,
D14/203.3, 203.4, 203.5, 203.8, 49, 439,
D14/341, 318; D3/218, 215, 201, 294, 289,
D3/900; 220/4.02; 248/309.1; 361/679.56;
379/426, 433.11, 455; 455/575.1,
455/575.8; 190/100; 206/305, 320;
D21/469

See application file for complete search history.

(56) **References Cited**

U.S. PATENT DOCUMENTS

D68,865 S * 11/1925 Lester D3/304
D551,847 S * 10/2007 Yeap et al. D3/201
D641,610 S * 7/2011 Sedalo D8/354
D669,481 S * 10/2012 Prescott et al. D14/447
D669,890 S * 10/2012 Hopkins et al. D14/251

(Continued)

Primary Examiner — Cynthia Underwood

(74) *Attorney, Agent, or Firm* — Sofer & Haroun, LLP

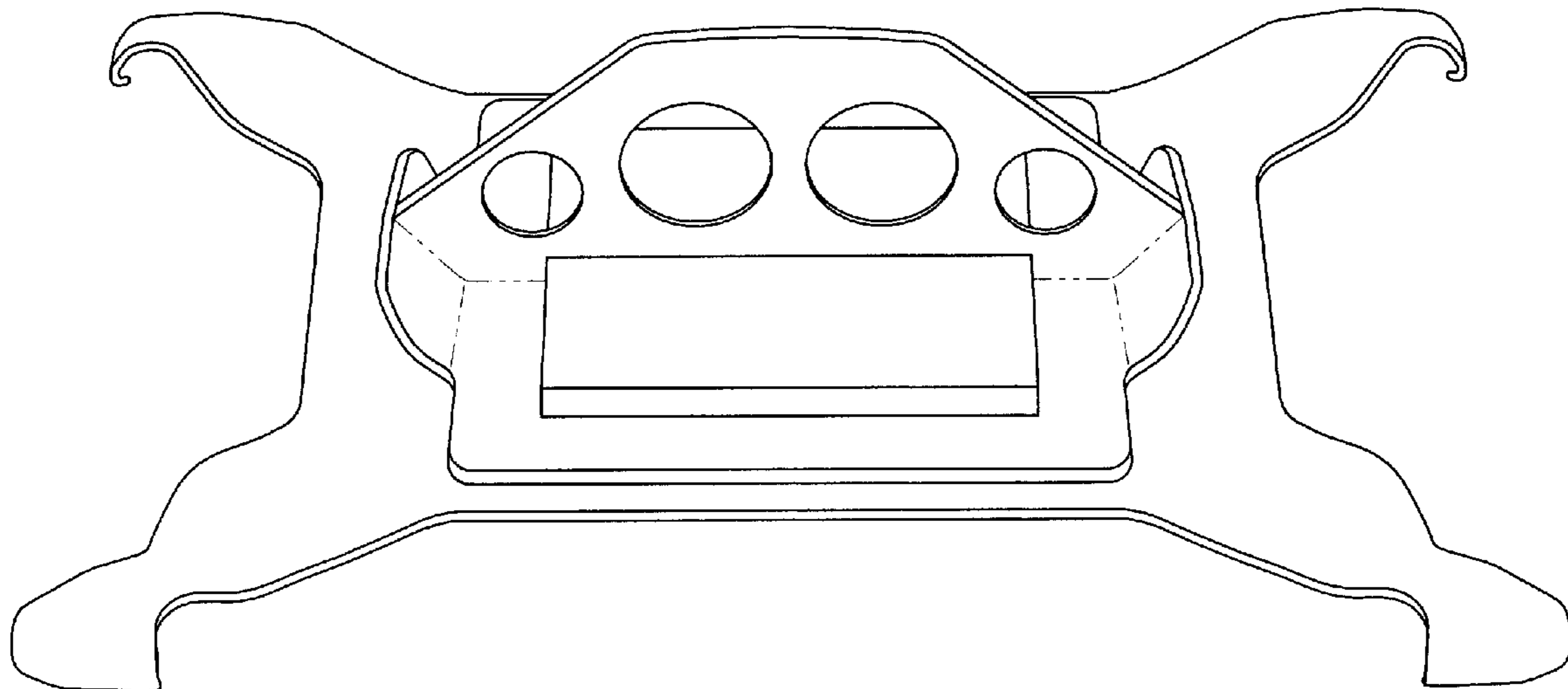
(57) **CLAIM**

I claim the ornamental design for a clip and handle for an electronic device, as shown and described.

DESCRIPTION

FIG. 1 is a perspective view of the clip, shown separated from the handle, of the clip and handle for an electronic device; FIG. 2 is a front elevation of the clip, shown separated from the handle, of the clip and handle for an electronic device; FIG. 3 is a side elevation of the clip, shown separated from the handle, of the clip and handle for an electronic device; FIG. 4 is top view of the clip, shown separated from the handle, of the clip and handle for an electronic device; FIG. 5 is bottom view of the clip, shown separated from the handle, of the clip and handle for an electronic device; FIG. 6 is a perspective view of the handle, shown separated from the clip, of the clip and handle for an electronic device; FIG. 7 is a front elevation of the handle, shown separated from the clip, of the clip and handle for an electronic device; FIG. 8 is a side elevation of the handle, shown separated from the clip, of the clip and handle for an electronic device; FIG. 9 is top view of the handle, shown separated from the clip, of the clip and handle for an electronic device; FIG. 10 is bottom view of the handle, shown separated from the clip, of the clip and handle for an electronic device; FIG. 11 is a bottom perspective view of the clip in an environment of use, shown separated from the handle, of the clip and handle for an electronic device; FIG. 12 is a bottom perspective view of the clip and handle for an electronic device; FIG. 13 is a bottom perspective view of the clip and handle for an electronic device in an environment of use; and, FIG. 14 is a front side perspective view of the clip and handle for an electronic device in an environment of use. The broken lines are included for illustrative purposes only and form no part of the claimed design.

1 Claim, 14 Drawing Sheets



(56)

References Cited

U.S. PATENT DOCUMENTS

D674,803 S * 1/2013 Westrup D14/440
D674,804 S * 1/2013 Cote D14/447
D676,037 S * 2/2013 Schupsky D14/253
D679,693 S * 4/2013 Rashid D14/250
D685,376 S * 7/2013 Kim D14/439
D686,629 S * 7/2013 Trinh et al. D14/447

2003/0222149 A1* 12/2003 Solomon et al. 235/472.01
2008/0099646 A1* 5/2008 Kobara et al. 248/309.1
2008/0237432 A1* 10/2008 Patterson 248/458
2011/0310553 A1* 12/2011 Hsiao 361/679.55
2012/0043247 A1* 2/2012 Westrup 206/472
2012/0074272 A1* 3/2012 Hull 248/122.1
2012/0091312 A1* 4/2012 Baker 248/682
2012/0193496 A1* 8/2012 Li 248/316.1

* cited by examiner

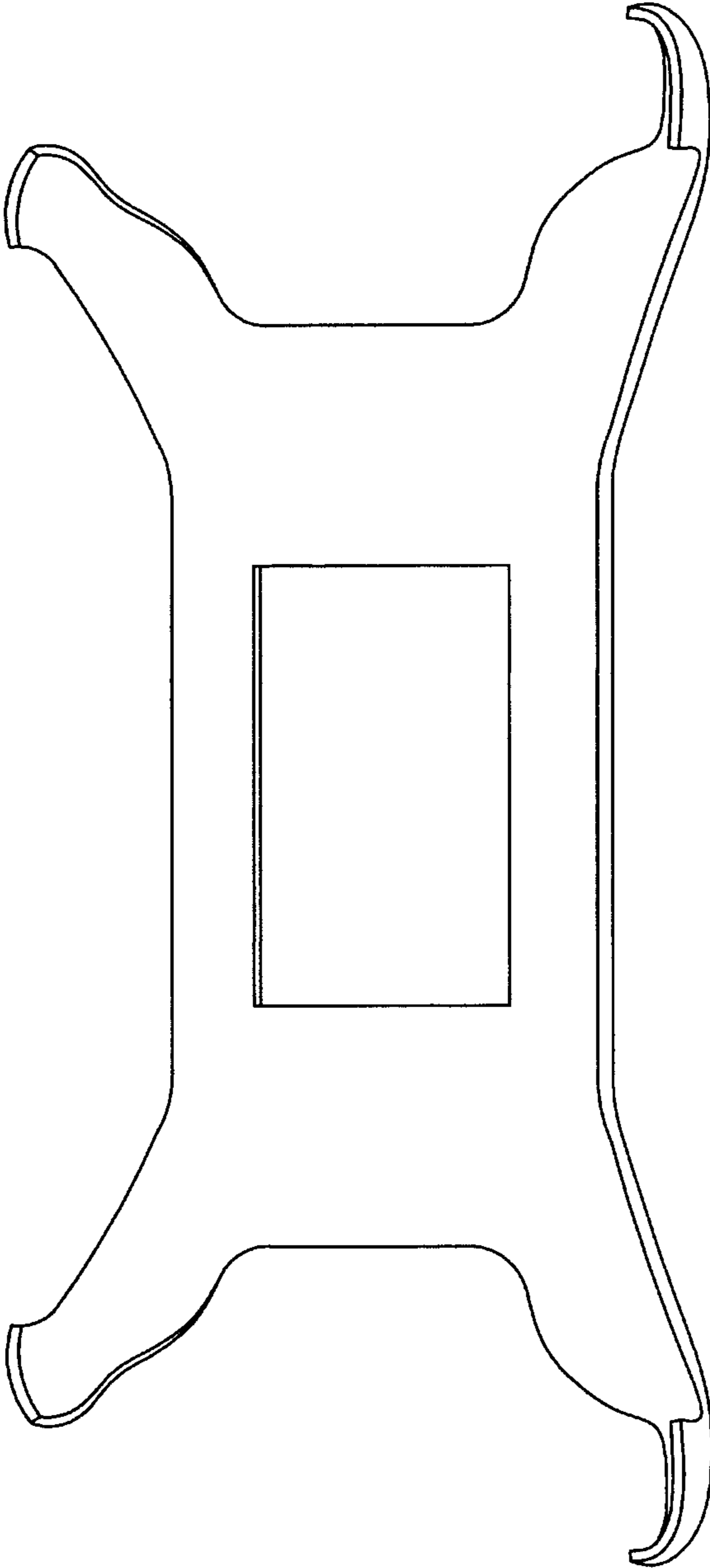


FIG. 1



FIG. 2



FIG. 3

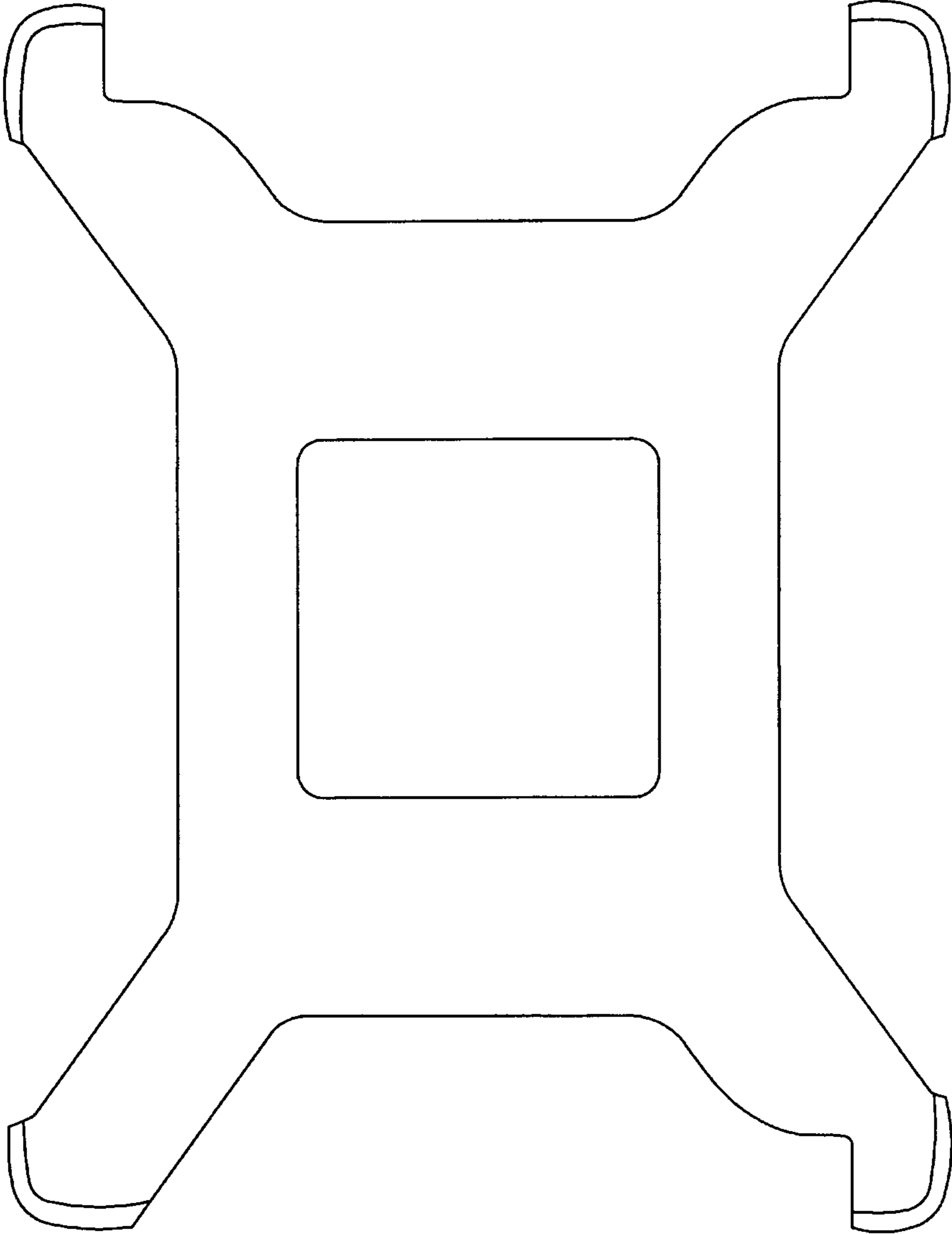


FIG. 4

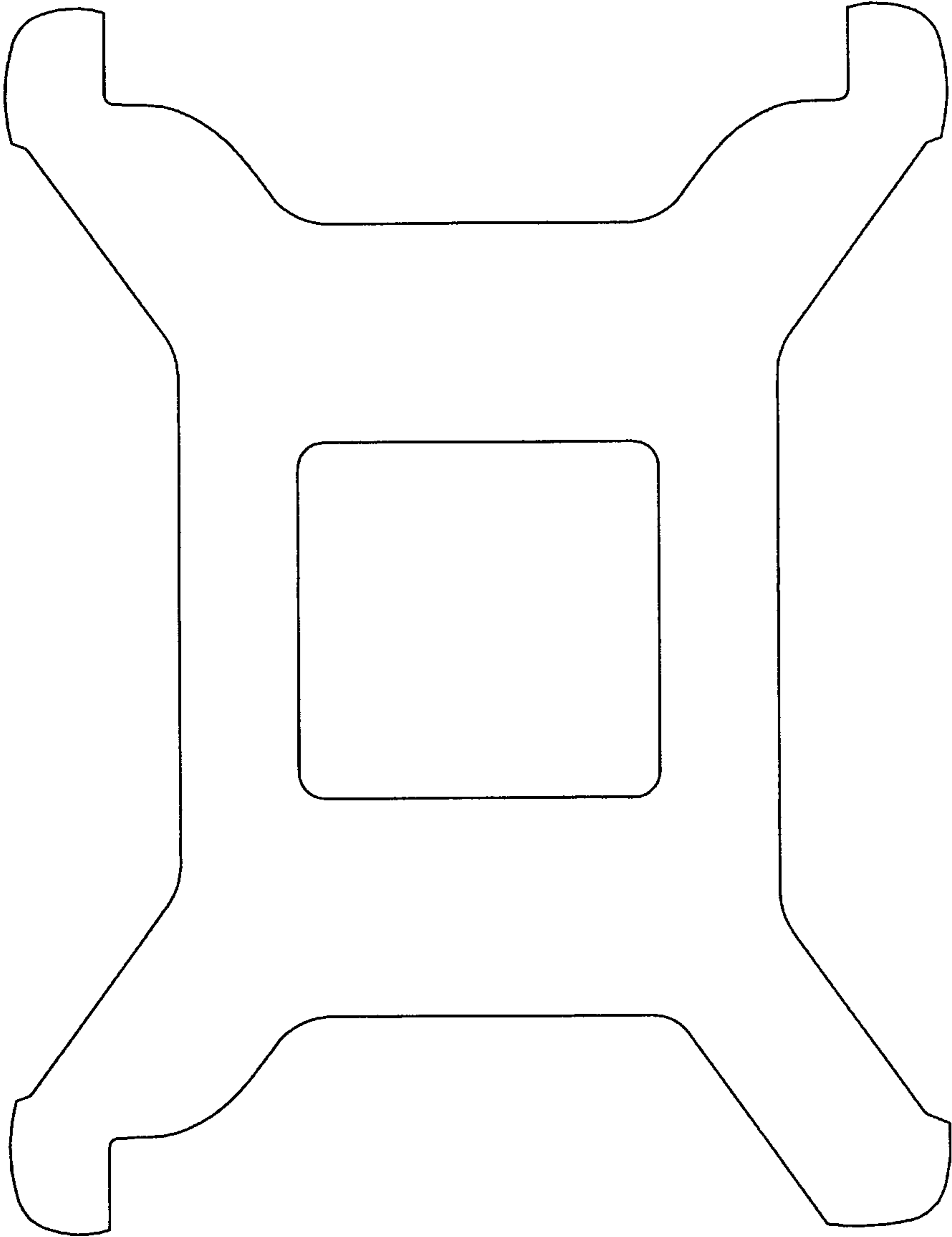


FIG. 5

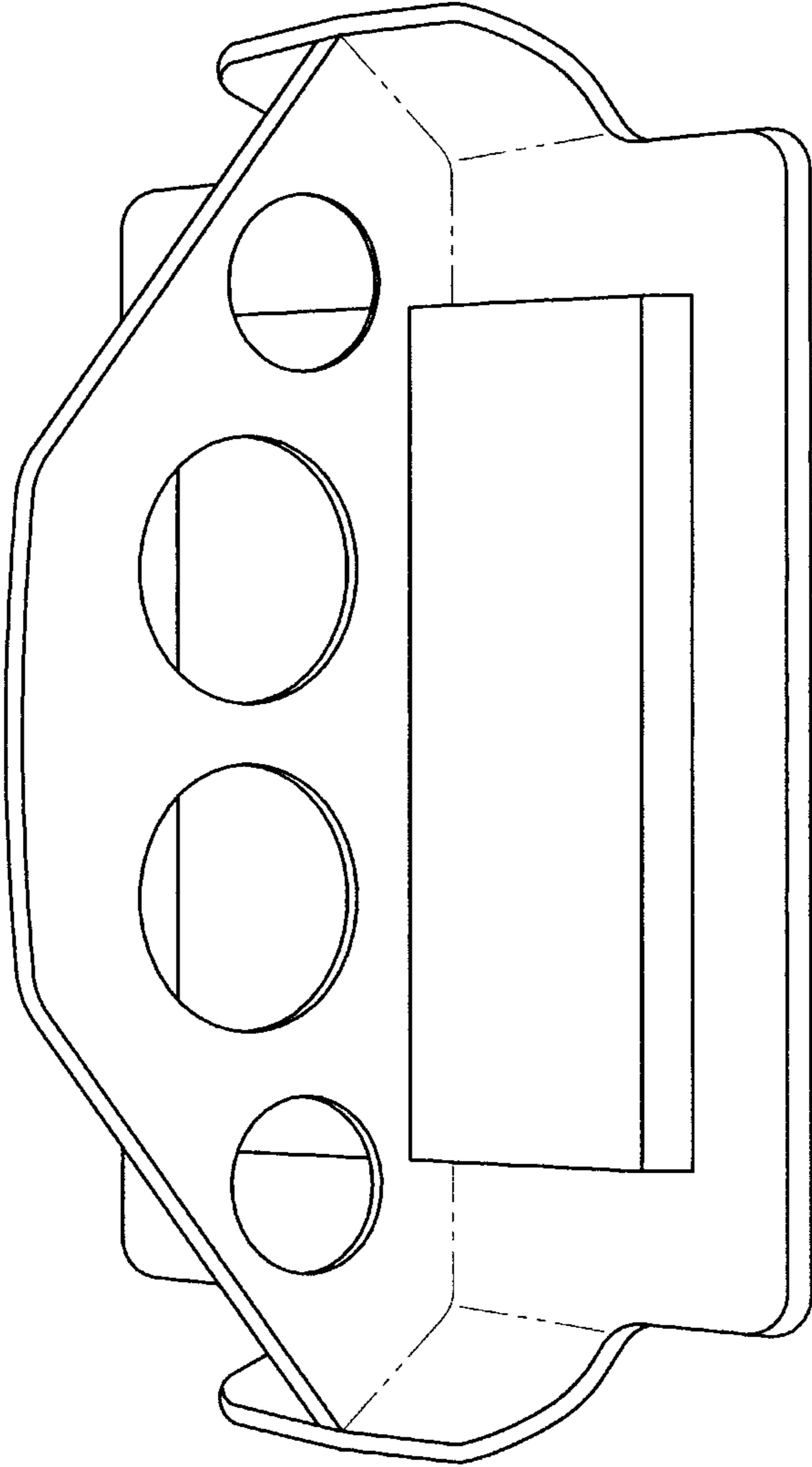


FIG. 6

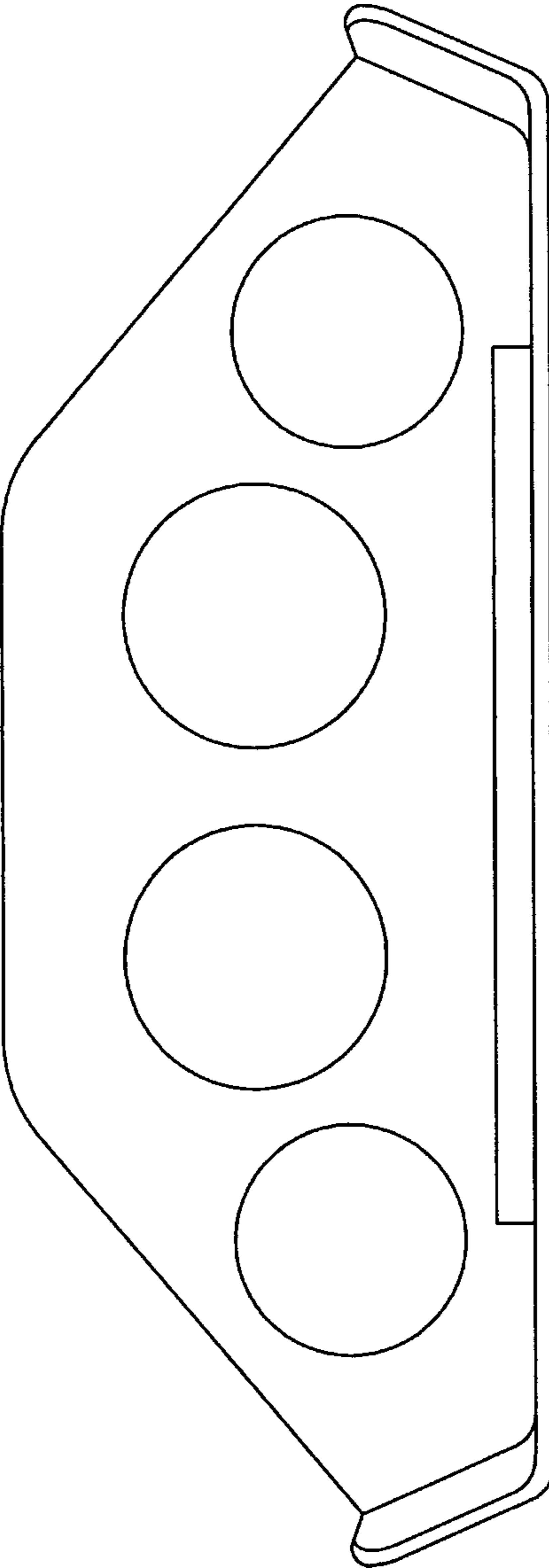


FIG. 7

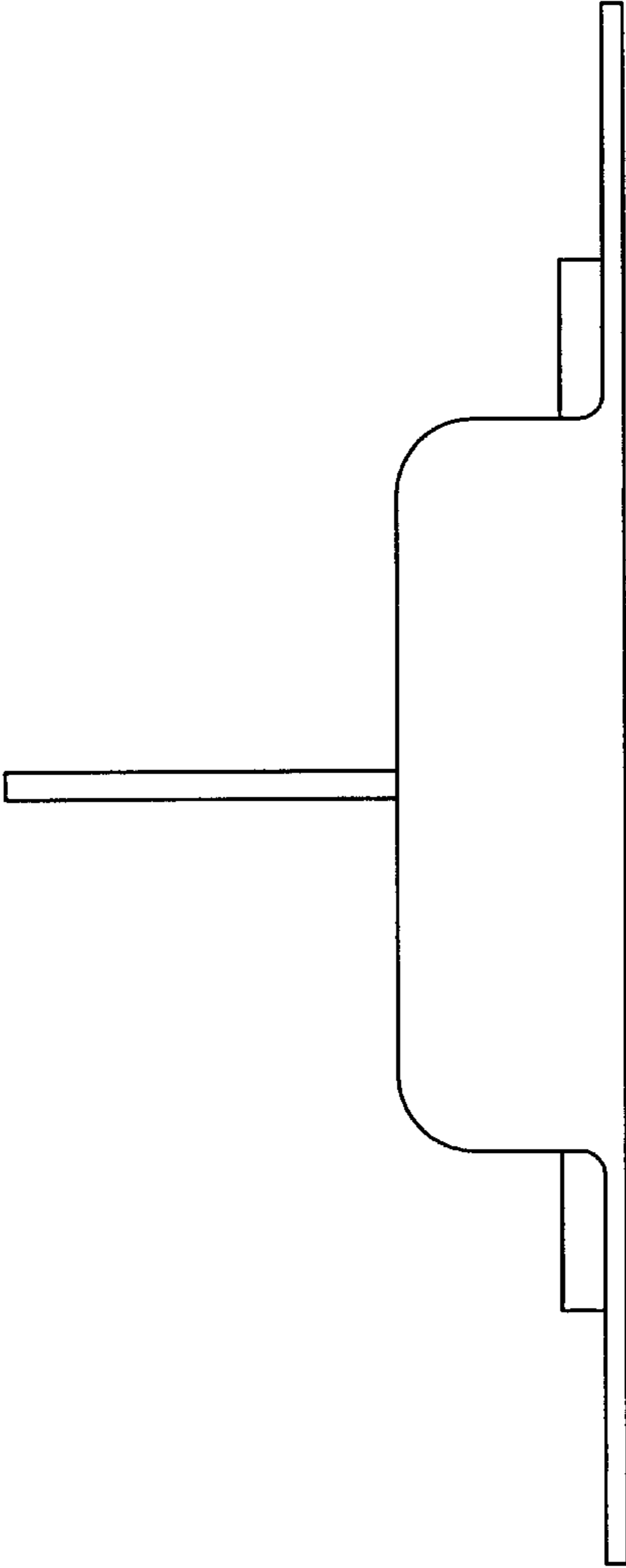


FIG. 8

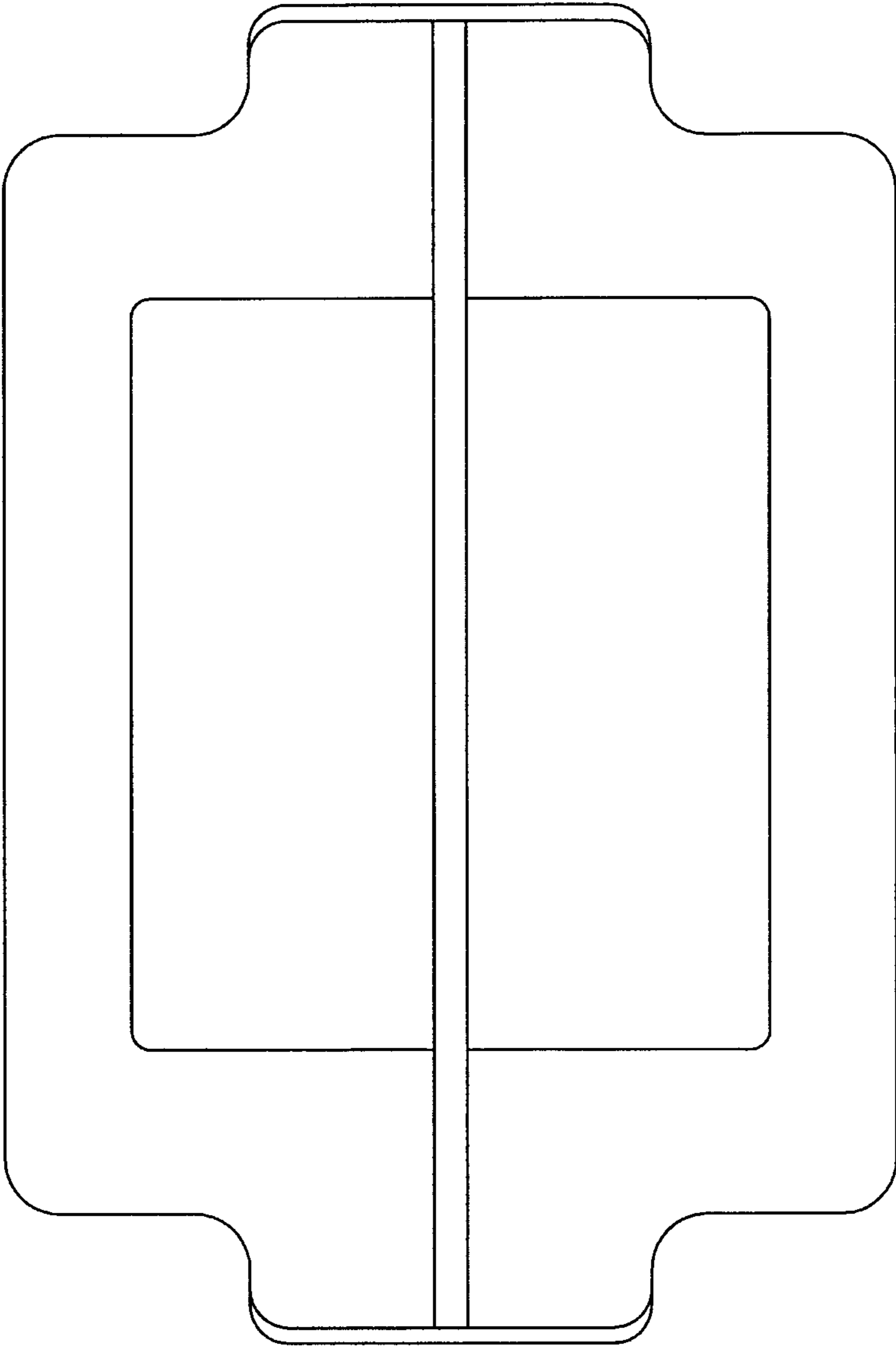


FIG. 9

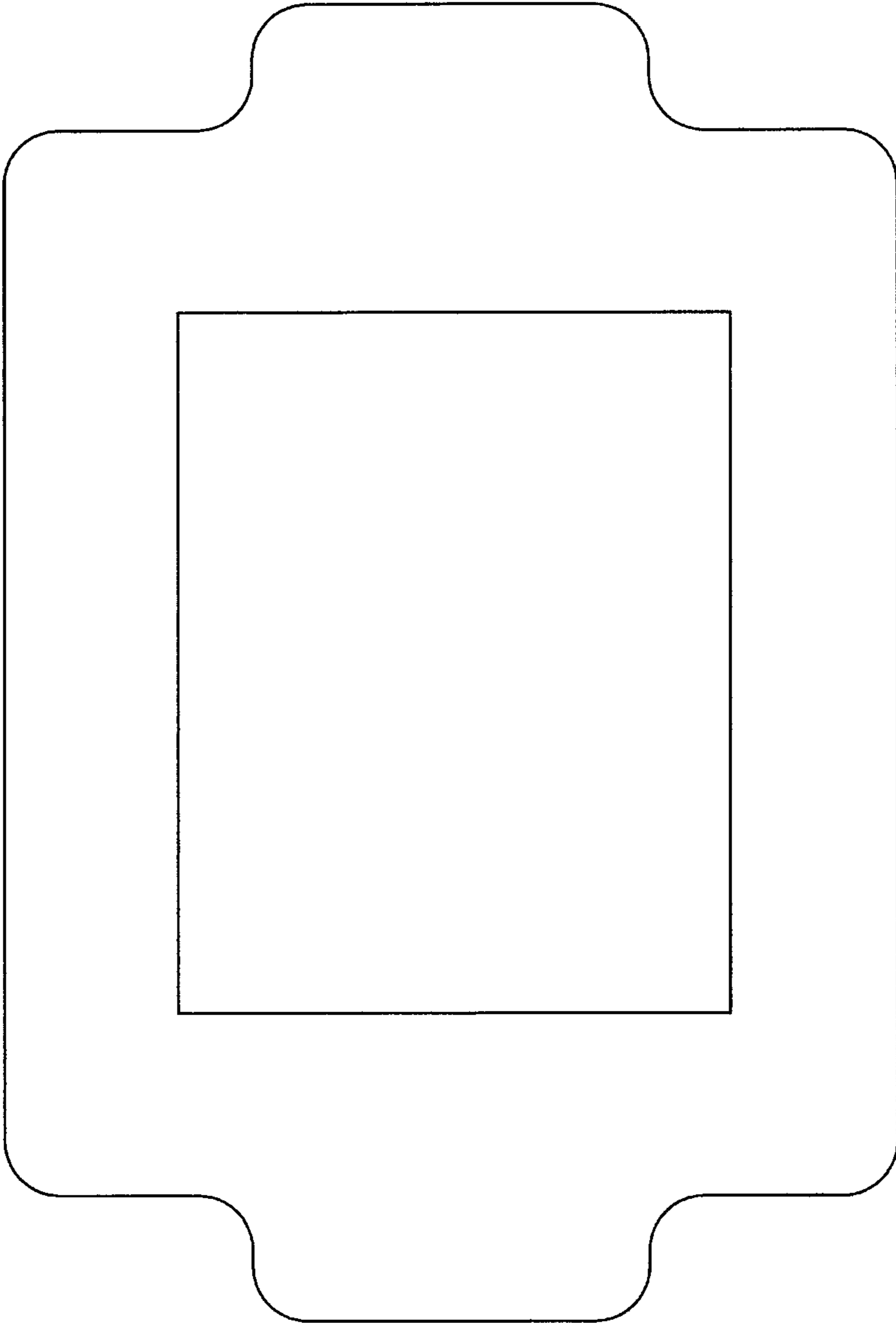


FIG. 10

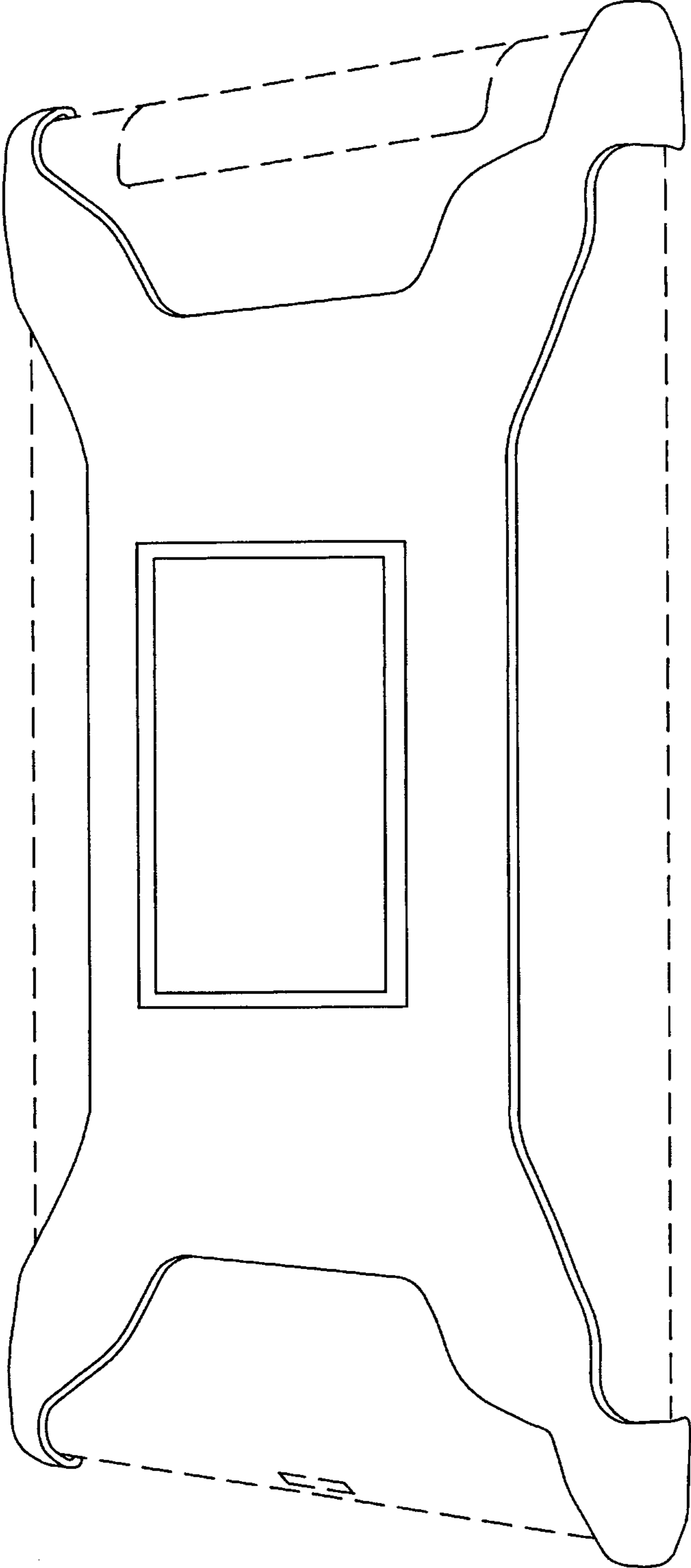


FIG. 11

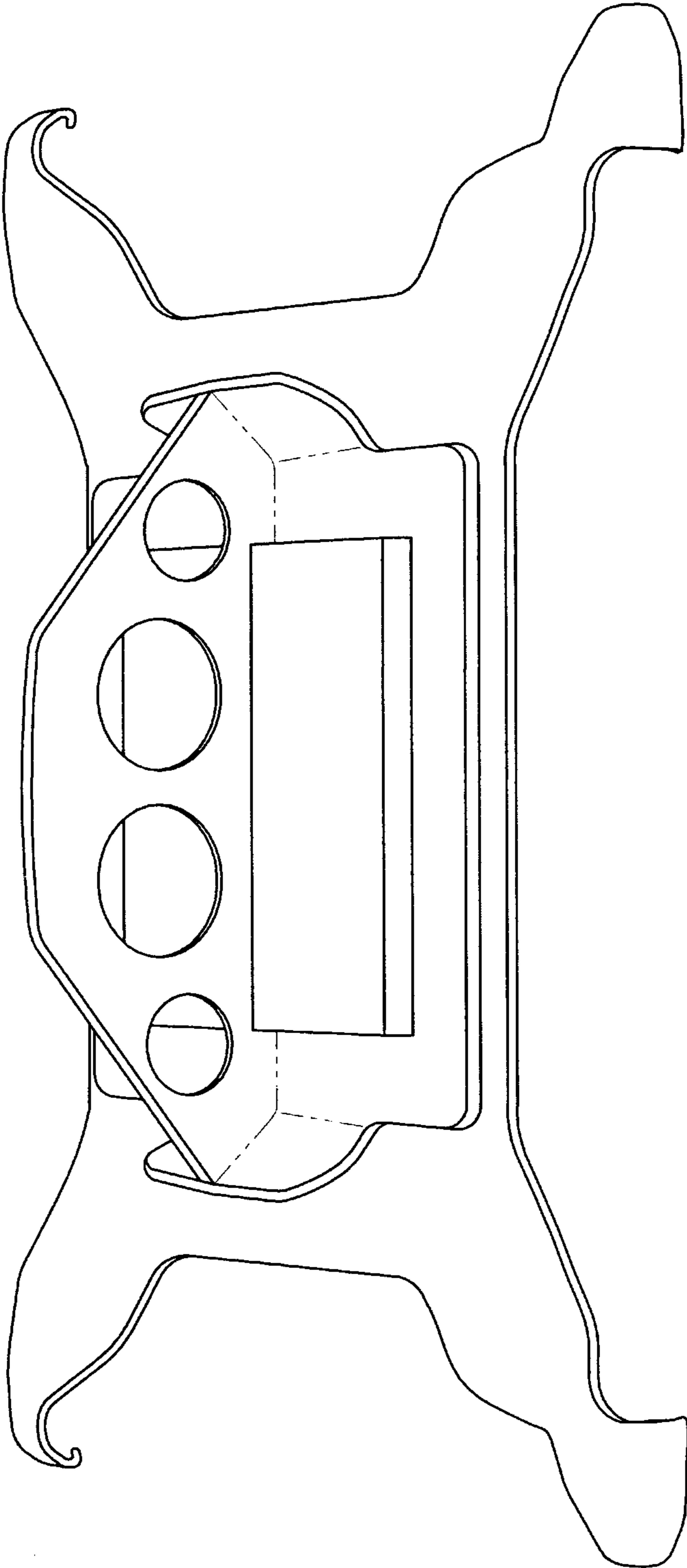


FIG. 12

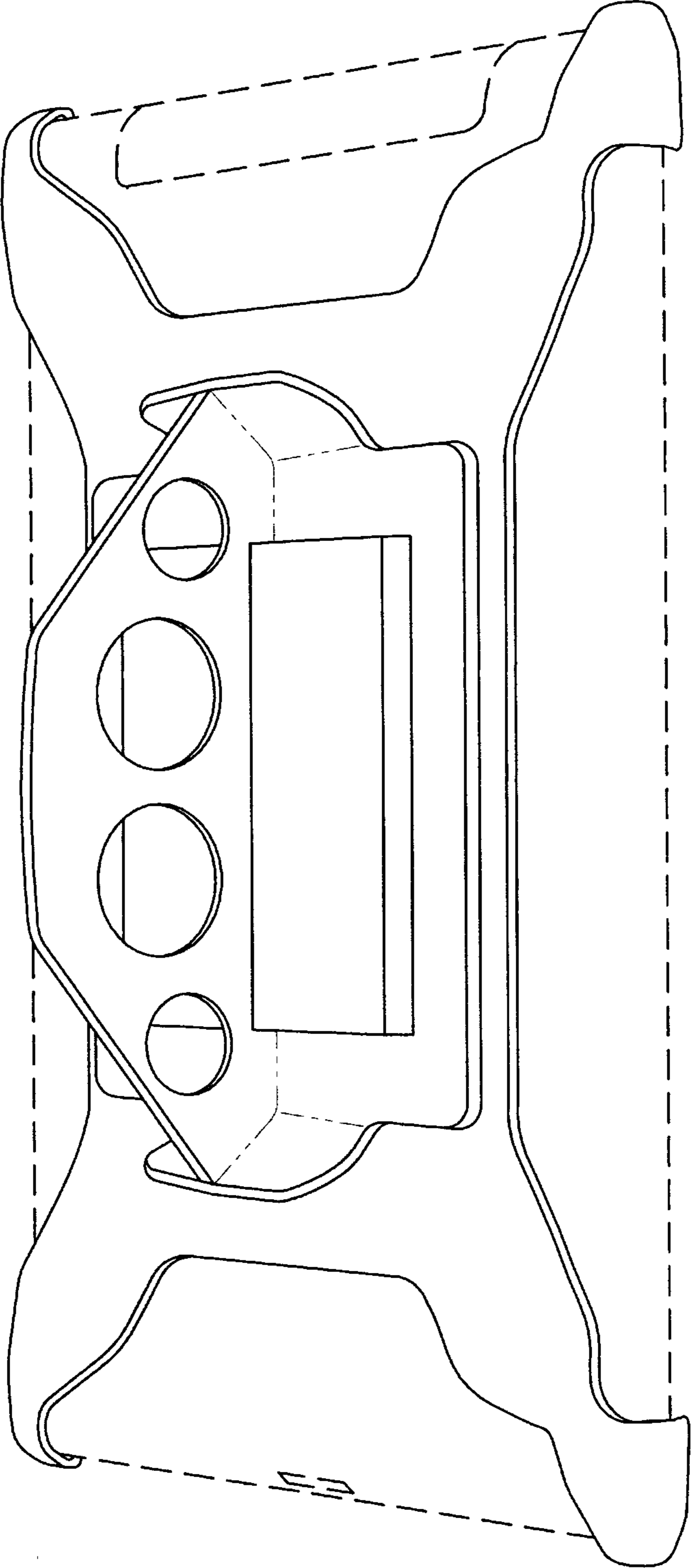


FIG. 13

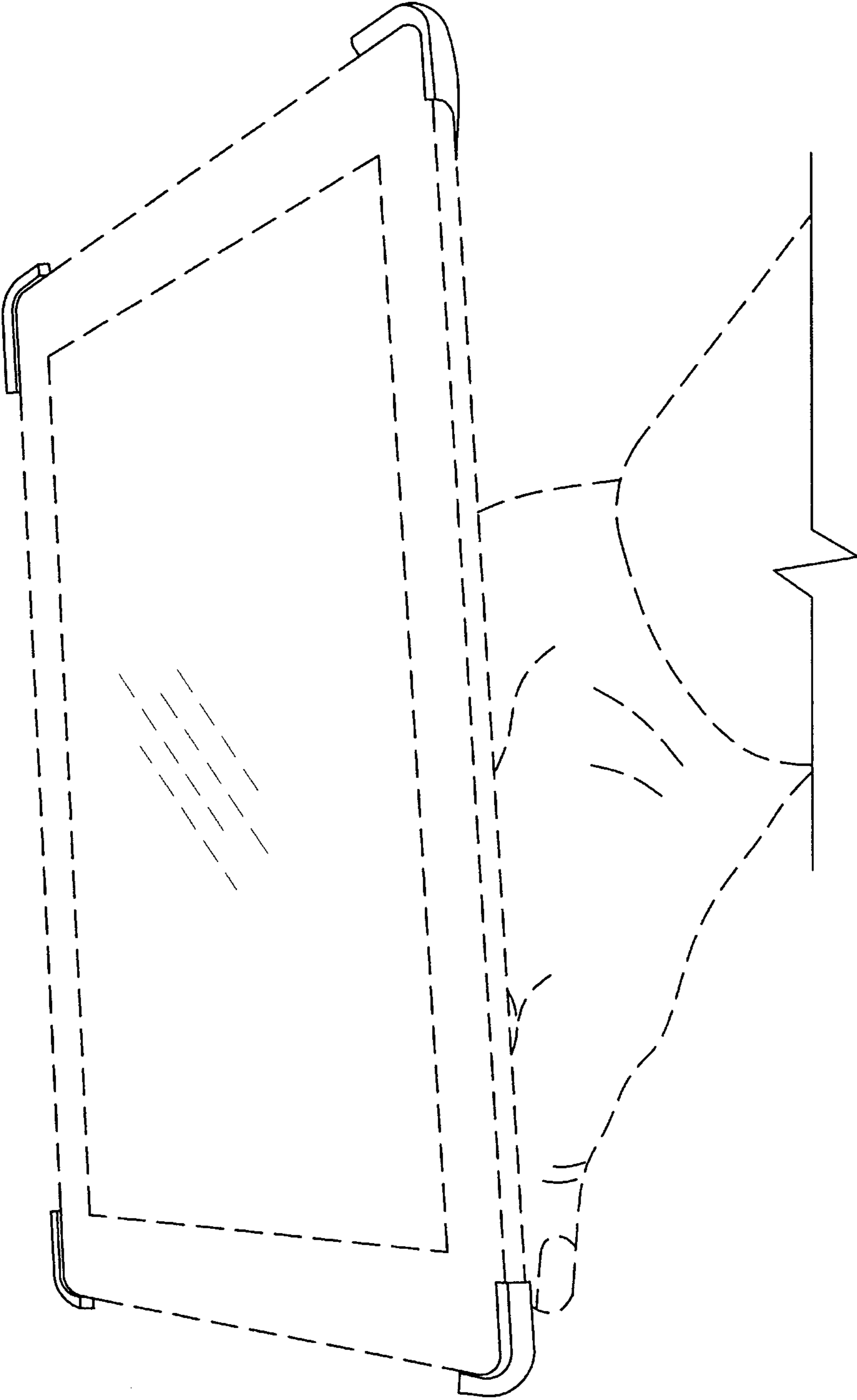


FIG. 14