



US00D704192S

(12) **United States Design Patent**  
**Ridyard**

(10) **Patent No.:** **US D704,192 S**

(45) **Date of Patent:** **\*\* \*May 6, 2014**

(54) **COMPUTER ACCESSORY**

(71) Applicant: **Nifty Drives Ltd**, Waltham Forest (GB)

(72) Inventor: **Piers Ridyard**, Waltham Forest (GB)

(73) Assignee: **Nifty Drives Ltd**, Snaresbrook, London (GB)

(\*) Notice: This patent is subject to a terminal disclaimer.

(\*\*) Term: **14 Years**

(21) Appl. No.: **29/433,295**

(22) Filed: **Sep. 27, 2012**

(30) **Foreign Application Priority Data**

Aug. 30, 2012 (EM) ..... 002094904-0001

(51) **LOC (10) Cl.** ..... **14-02**

(52) **U.S. Cl.**

USPC ..... **D14/436**

(58) **Field of Classification Search**

USPC ..... D14/435-438, 478-480; 235/441, 443, 235/487, 492, 493, 495; 361/737, 679, 752, 361/736, 728, 796, 797, 729, 730, 361/725-727; 257/678, 679, 693, E23.064; 439/946, 948, 159; 174/250, 260, 52.1, 174/52.2; 710/300-303; 438/121

See application file for complete search history.

(56) **References Cited**

**U.S. PATENT DOCUMENTS**

D427,167 S \* 6/2000 Iwasaki ..... D14/436  
D434,042 S \* 11/2000 Yasufuku et al. .... D14/436  
D444,473 S \* 7/2001 Okamoto et al. .... D14/436  
D445,111 S \* 7/2001 Okamoto et al. .... D14/436  
D445,797 S \* 7/2001 Lee et al. .... D14/436  
D446,525 S \* 8/2001 Okamoto et al. .... D14/436  
6,381,143 B1 \* 4/2002 Nakamura ..... 361/737

D475,056 S \* 5/2003 Taniguchi et al. .... D14/436  
D475,713 S \* 6/2003 Taniguchi et al. .... D14/436  
6,590,778 B1 \* 7/2003 Hojo et al. .... 361/737  
6,628,524 B1 \* 9/2003 Washino et al. .... 361/737  
6,636,773 B1 \* 10/2003 Tagawa et al. .... 700/94  
6,646,885 B1 \* 11/2003 Yu et al. .... 361/737  
D488,477 S \* 4/2004 Yu et al. .... D14/436  
6,729,892 B2 \* 5/2004 Takada et al. .... 439/159  
D492,687 S \* 7/2004 Yu et al. .... D14/436  
D493,798 S \* 8/2004 Yu et al. .... D14/436  
D494,180 S \* 8/2004 Taniguchi ..... D14/436  
6,816,386 B2 \* 11/2004 Oguchi et al. .... 361/769

(Continued)

*Primary Examiner* — Susan Moon Lee

(74) *Attorney, Agent, or Firm* — Jeffer Mangels Butler & Mitchell LLP

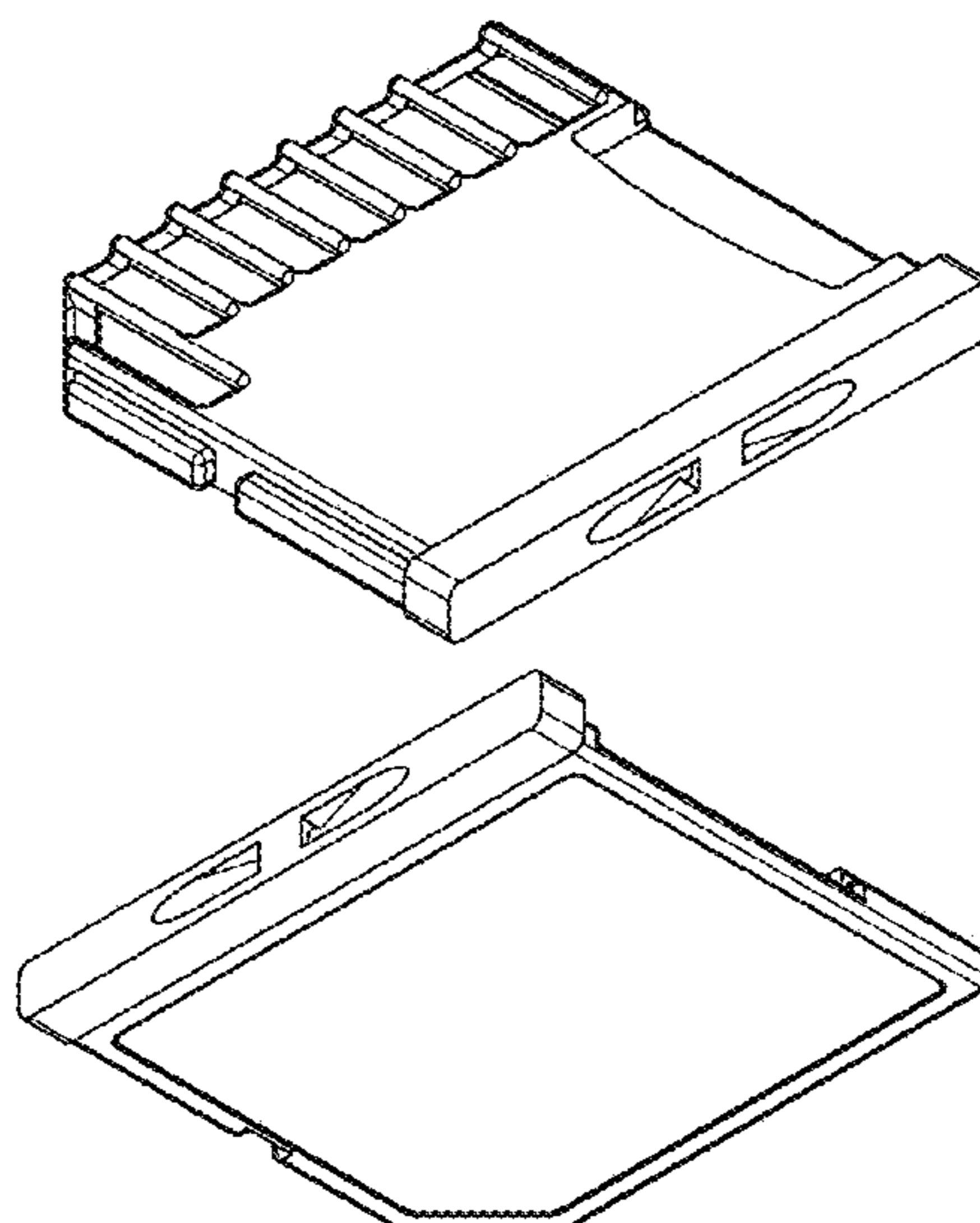
(57) **CLAIM**

The ornamental design for a computer accessory, as shown and described.

**DESCRIPTION**

FIG. 1 is a top perspective view of a computer accessory in accordance with the present invention;  
FIG. 2 is another top perspective view of the present invention shown in FIG. 1;  
FIG. 3 is a bottom perspective view of the present invention shown in FIG. 1;  
FIG. 4 is a front side elevational view of the present invention shown in FIG. 1;  
FIG. 5 is a right side elevational view of the present invention shown in FIG. 1;  
FIG. 6 is a left side elevational view of the present invention shown in FIG. 1;  
FIG. 7 is a top plan view of the present invention shown in FIG. 1;  
FIG. 8 is a bottom plan view of the present invention shown in FIG. 1; and,  
FIG. 9 is a rear elevational view of the present invention shown in FIG. 1.

**1 Claim, 9 Drawing Sheets**



(56)

References Cited

U.S. PATENT DOCUMENTS

6,834,810	B2 *	12/2004	Maruyama	235/492	7,719,845	B1 *	5/2010	Jang et al.	361/737
6,862,175	B1 *	3/2005	McClendon et al.	361/679.31	7,768,789	B2 *	8/2010	Ni et al.	361/737
6,903,935	B1 *	6/2005	Chen	361/737	7,795,714	B2 *	9/2010	Hiew et al.	257/679
6,910,635	B1 *	6/2005	Miks et al.	235/487	7,804,163	B2 *	9/2010	Hiew et al.	257/679
6,922,343	B2 *	7/2005	Nakanishi et al.	361/737	7,813,137	B2 *	10/2010	Gu et al.	361/737
6,970,359	B2 *	11/2005	Gochmour et al.	361/737	7,830,666	B2 *	11/2010	Hiew et al.	361/737
6,979,227	B2 *	12/2005	Ikeda	439/630	7,864,540	B2 *	1/2011	Takiar	361/737
7,009,846	B1 *	3/2006	Wang et al.	361/737	D641,050	S *	7/2011	Matsui et al.	D21/332
7,032,827	B2 *	4/2006	Wang et al.	235/492	D643,431	S *	8/2011	Nakamura	D14/436
7,049,690	B2 *	5/2006	Kakinoki	257/679	D643,432	S *	8/2011	Nakamura	D14/436
7,059,871	B1 *	6/2006	Hsiao	439/76.1	8,060,131	B2 *	11/2011	Shin et al.	455/550.1
D525,623	S *	7/2006	Takiar et al.	D14/436	8,097,939	B2 *	1/2012	Okada	257/679
D529,031	S *	9/2006	Huang et al.	D14/436	8,102,658	B2 *	1/2012	Hiew et al.	361/737
D531,181	S *	10/2006	Cuellar et al.	D14/436	8,243,456	B2 *	8/2012	Tochi et al.	361/737
D533,556	S *	12/2006	Yamada et al.	D14/436	8,254,134	B2 *	8/2012	Hiew et al.	361/737
D535,297	S *	1/2007	Cuellar et al.	D14/436	D667,830	S *	9/2012	Seoc et al.	D14/436
7,179,129	B1 *	2/2007	Hwang	439/630	D669,479	S *	10/2012	Lepp et al.	D14/436
D537,824	S *	3/2007	Day et al.	D14/436	D670,292	S *	11/2012	Komatani et al.	D14/436
D542,797	S *	5/2007	Cuellar et al.	D14/436	D681,640	S *	5/2013	Aoki et al.	D14/436
7,218,528	B2 *	5/2007	Chen	361/737	8,451,122	B2 *	5/2013	Narendra et al.	340/572.1
D552,099	S *	10/2007	Nishizawa et al.	D14/436	D688,668	S *	8/2013	Ben-Gad et al.	D14/436
D552,612	S *	10/2007	Nishizawa et al.	D14/436	2004/0037145	A1 *	2/2004	Tagawa et al.	365/222
D554,123	S *	10/2007	Day et al.	D14/436	2005/0021909	A1 *	1/2005	Much et al.	711/115
7,307,848	B2 *	12/2007	Takiar	361/737	2005/0247786	A1 *	11/2005	Chen	235/441
7,320,622	B2 *	1/2008	Ying et al.	439/630	2005/0254219	A1 *	11/2005	Nakanishi et al.	361/737
7,324,347	B2 *	1/2008	Nakanishi et al.	361/737	2005/0279838	A1 *	12/2005	Wang et al.	235/492
7,336,498	B2 *	2/2008	Takiar et al.	361/737	2007/0126099	A1 *	6/2007	Aoki et al.	257/679
7,410,376	B2 *	8/2008	Ying et al.	439/159	2007/0228536	A1 *	10/2007	Aoki	257/678
7,440,285	B2 *	10/2008	Centofante	361/737	2007/0263365	A1 *	11/2007	Yamada et al.	361/737
D581,932	S *	12/2008	Nishizawa et al.	D14/436	2008/0025003	A1 *	1/2008	Nishizawa et al.	361/737
D588,598	S *	3/2009	Nakamura	D14/436	2008/0030963	A1 *	2/2008	Middlekauff et al.	361/737
D588,599	S *	3/2009	Nakamura	D14/436	2008/0225498	A1 *	9/2008	Osako et al.	361/737
7,547,234	B2 *	6/2009	Wallace	439/630	2009/0009976	A1 *	1/2009	Nishikawa et al.	361/737
7,615,855	B2 *	11/2009	Osako et al.	257/679	2009/0021921	A1 *	1/2009	Jang et al.	361/737
7,616,447	B2 *	11/2009	Yamada et al.	361/737	2009/0073665	A1 *	3/2009	Jow	361/737
7,710,736	B2 *	5/2010	Middlekauff et al.	361/737	2009/0323294	A1 *	12/2009	Moon	361/737
					2010/0232118	A1 *	9/2010	Tochi et al.	361/737
					2013/0250525	A1 *	9/2013	Wang	361/737

\* cited by examiner

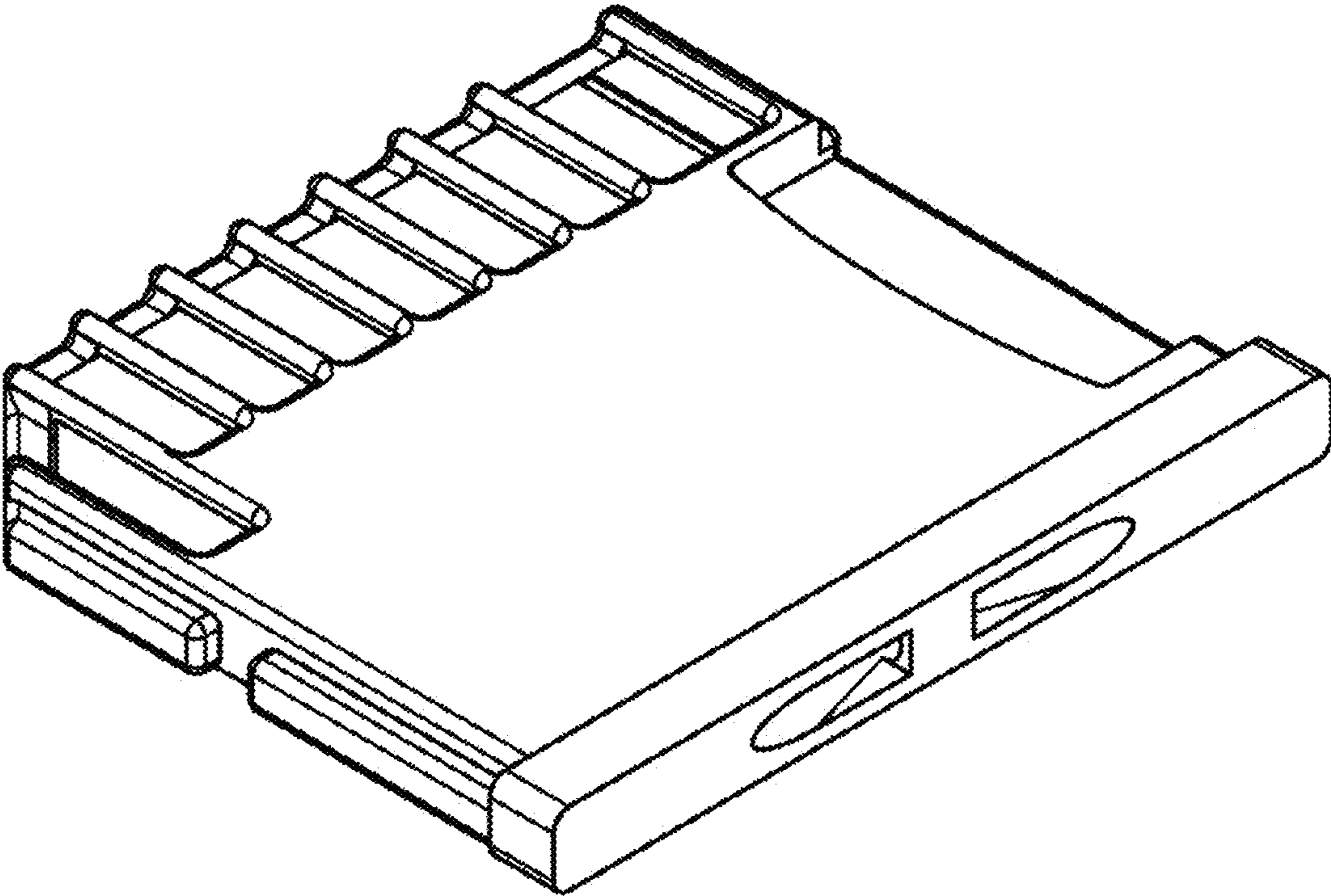


Figure 1



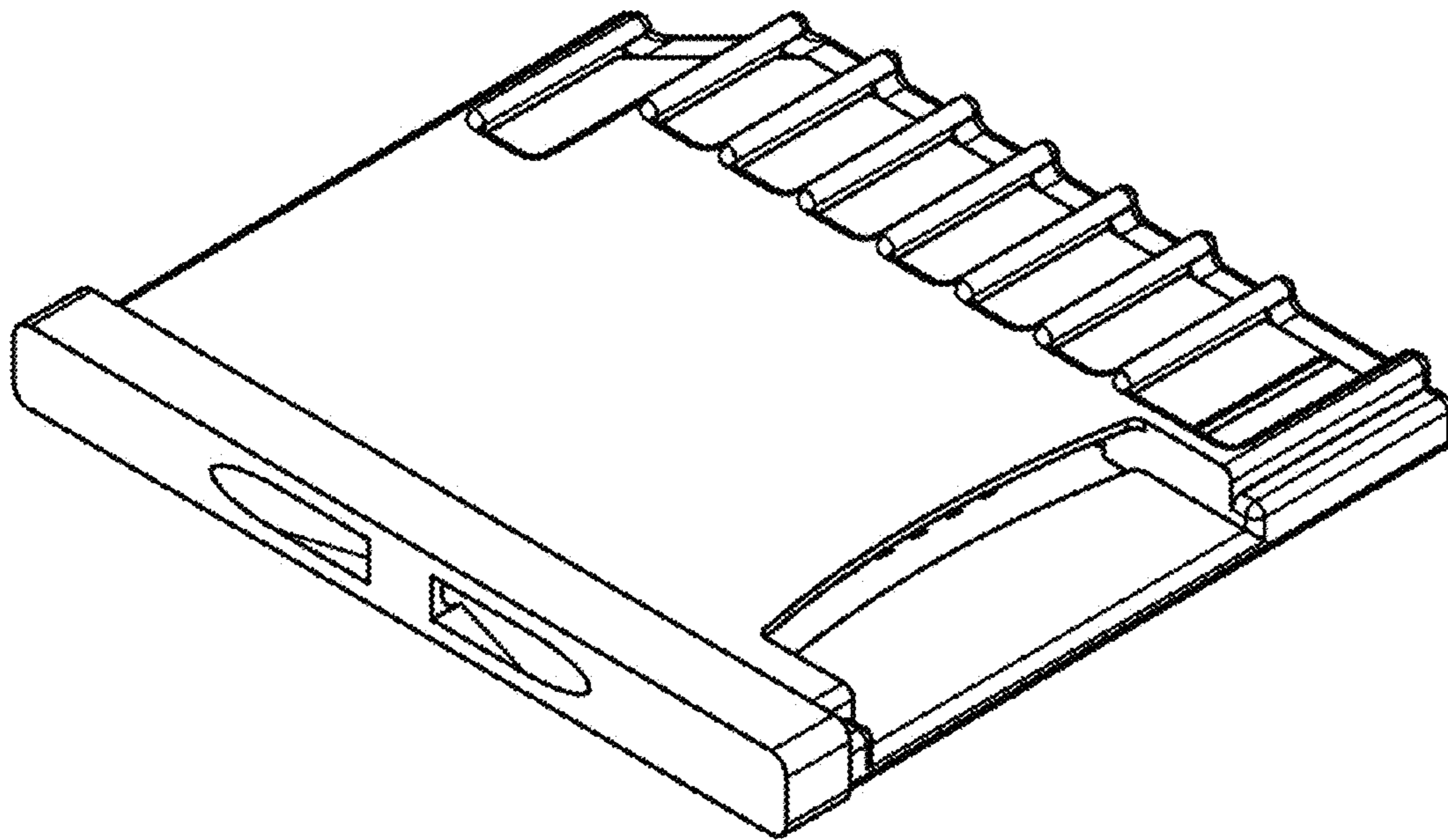


Figure 2

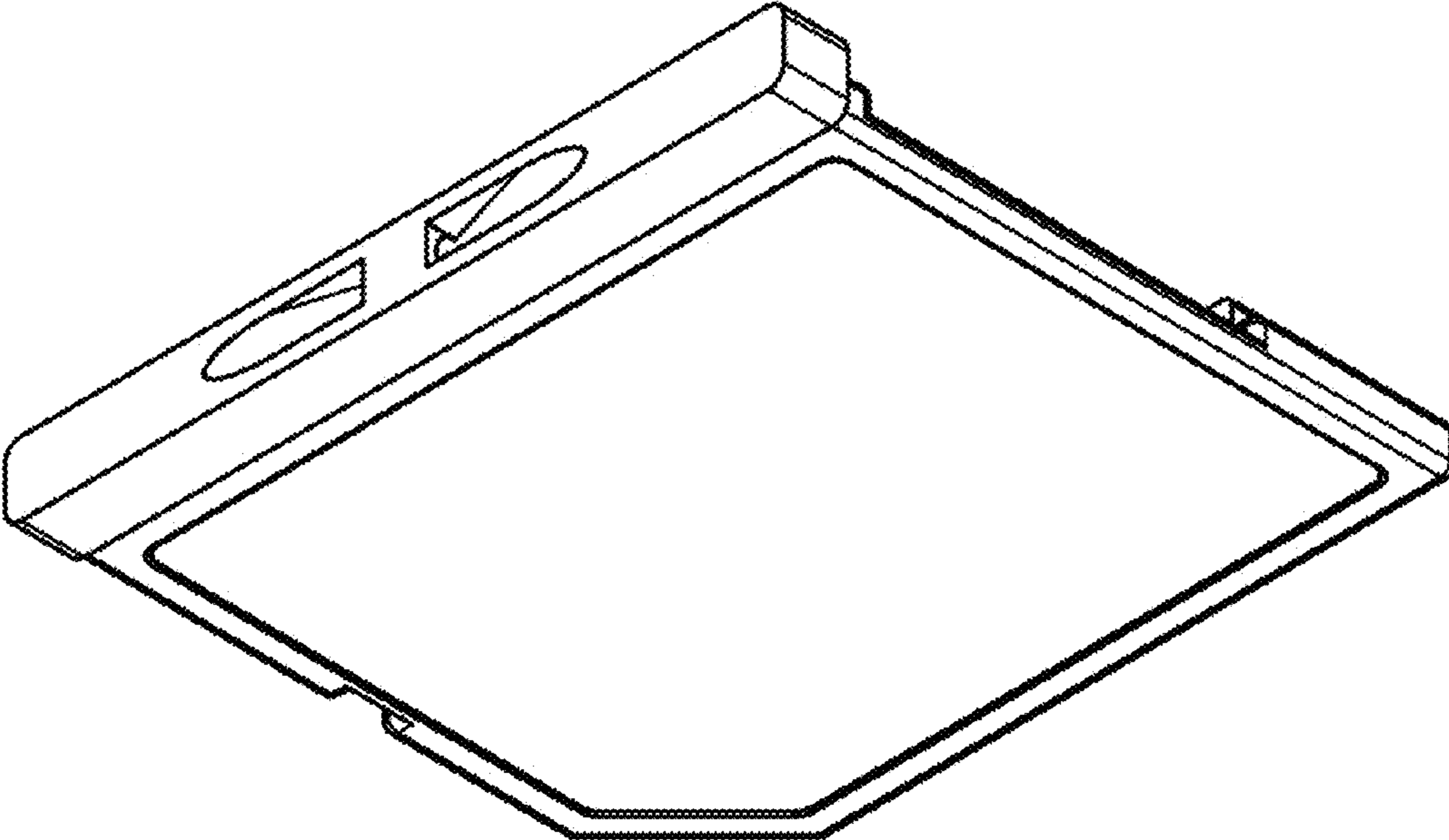


Figure 3



Figure 4



Figure 5

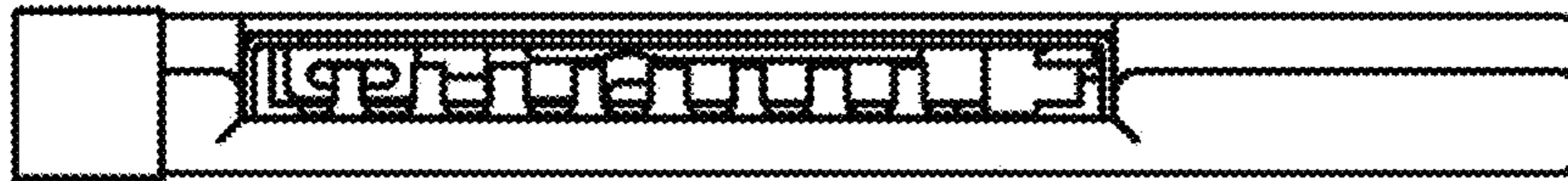


Figure 6



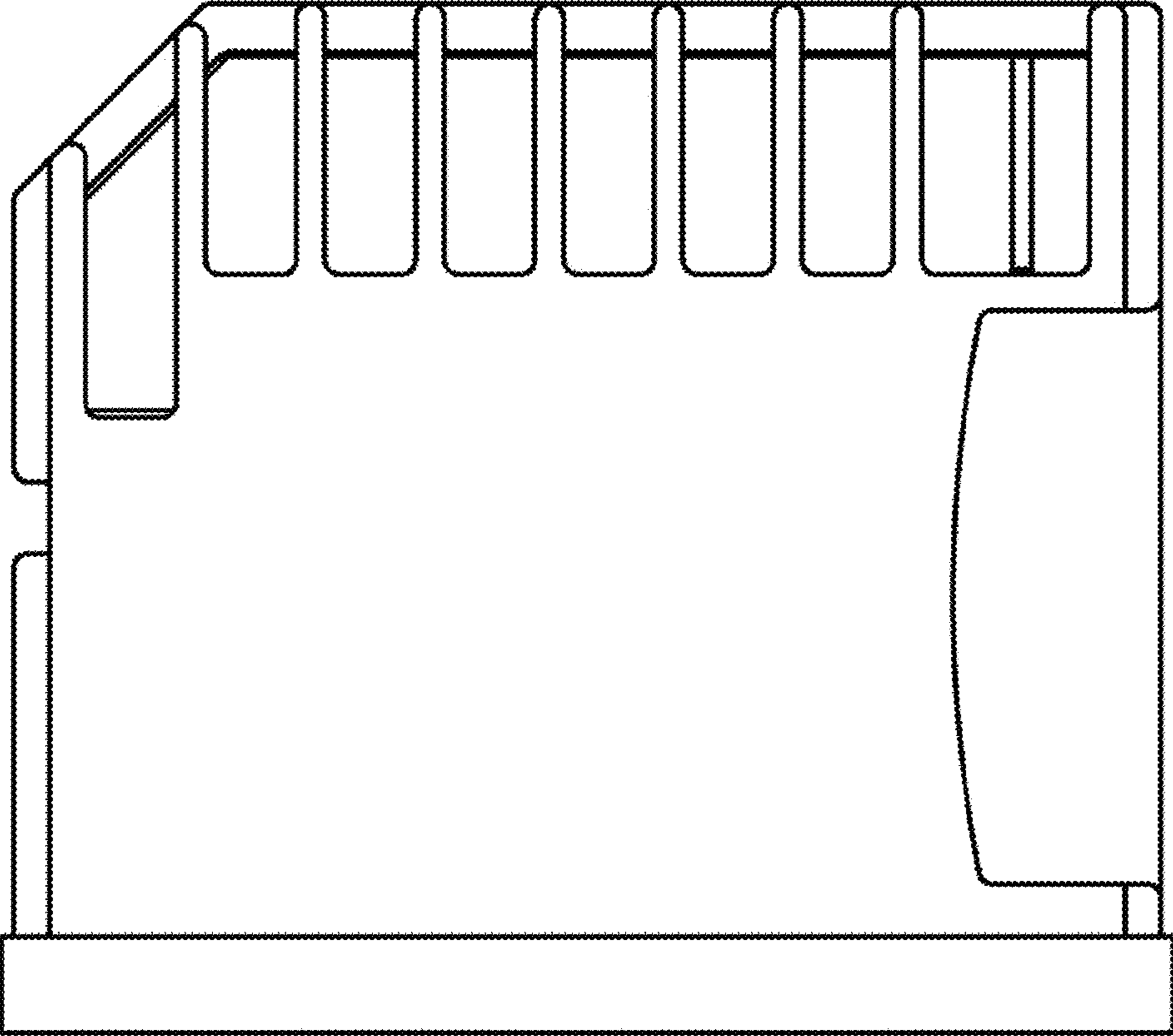


Figure 7

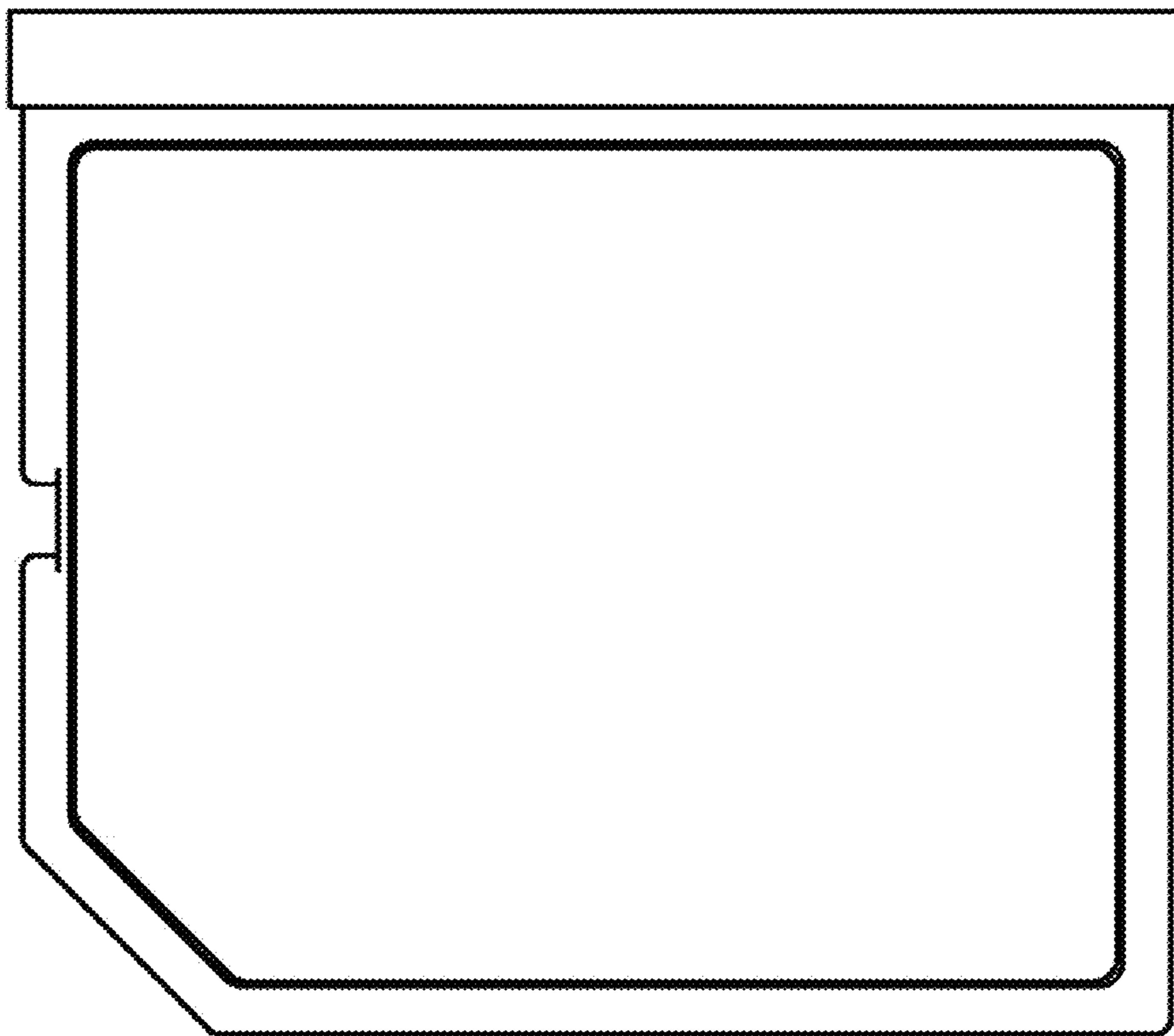


Figure 8



Figure 9