



US00D704188S

(12) **United States Design Patent**
Leung et al.

(10) **Patent No.:** **US D704,188 S**

(45) **Date of Patent:** **** May 6, 2014**

(54) **SMART PEN**

(71) Applicant: **Livescribe Inc.**, Oakland, CA (US)

(72) Inventors: **Chi Kin Benjamin Leung**, San Jose, CA (US); **Christopher Wheaton**, San Francisco, CA (US); **Daniel Kendall Harden**, Palo Alto, CA (US); **Kyle Andrew Buzzard**, San Francisco, CA (US)

(73) Assignee: **Livescribe Inc.**, Oakland, CA (US)

(**) Term: **14 Years**

(21) Appl. No.: **29/470,757**

(22) Filed: **Oct. 24, 2013**

(51) **LOC (10) Cl.** **14-02**

(52) **U.S. Cl.**
USPC **D14/411**

(58) **Field of Classification Search**
USPC D8/61; D14/411; D19/35, 36, 41-51, D19/54-58; 401/55, 99, 100, 104-107, 196, 401/197, 202, 208, 209, 213, 192, 195, 401/243; 708/107; 345/179, 173; 178/19.01; 700/94

See application file for complete search history.

(56) **References Cited**

U.S. PATENT DOCUMENTS

1,974,667 A * 9/1934 Solinger 401/52
D456,411 S * 4/2002 Kourushi D14/411

6,505,984 B2 * 1/2003 Smith et al. 401/52
D472,240 S * 3/2003 Seog D14/411
D500,799 S * 1/2005 Olson D10/78
7,001,092 B1 * 2/2006 Varughese 401/88
D547,799 S * 7/2007 Granick D19/36
D549,229 S * 8/2007 Chiang D14/411
7,377,709 B2 * 5/2008 Butler 401/195
D619,580 S * 7/2010 Nakayama et al. D14/411
8,284,951 B2 * 10/2012 Van Schaack et al. 381/91
D675,621 S * 2/2013 Fletcher et al. D14/411
D691,137 S * 10/2013 Yeon et al. D14/411

* cited by examiner

Primary Examiner — Austin Murphy

(74) *Attorney, Agent, or Firm* — Fenwick & West LLP

(57) **CLAIM**

The ornamental design for a smart pen, as shown and described.

DESCRIPTION

FIG. 1 is a front and right side perspective view of a smart pen showing our new design;

FIG. 2 is a back and left side perspective view thereof;

FIG. 3 is a right side perspective view thereof;

FIG. 4 is a front perspective view thereof;

FIG. 5 is a bottom perspective view thereof;

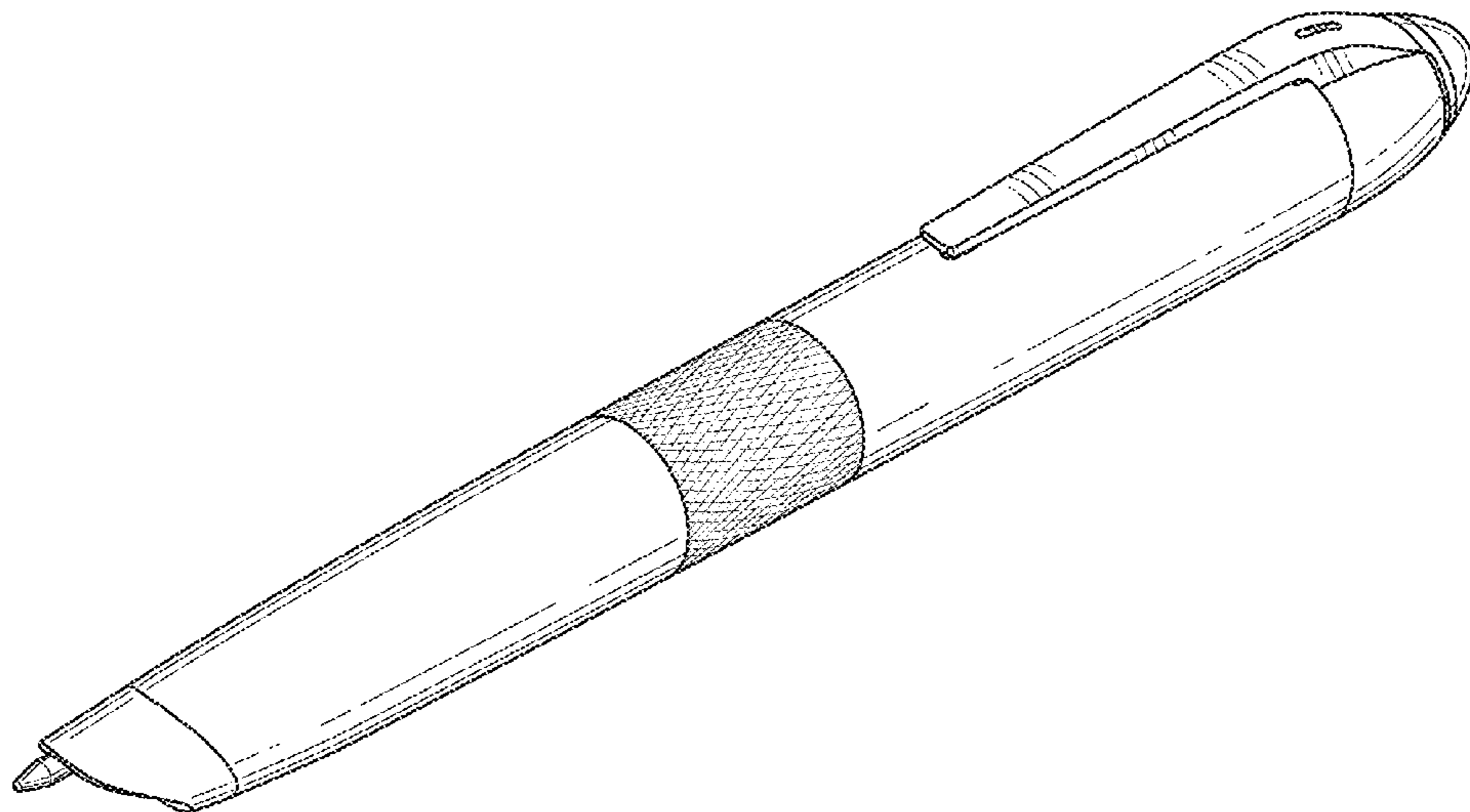
FIG. 6 is a top perspective view thereof;

FIG. 7 is a right and back side perspective view thereof, with detached top cap; and,

FIG. 8 is a close-up view of the detached top cap thereof.

Any broken lines in the drawings are included for the purpose of illustrating environmental structure and form no part of the claimed design.

1 Claim, 6 Drawing Sheets



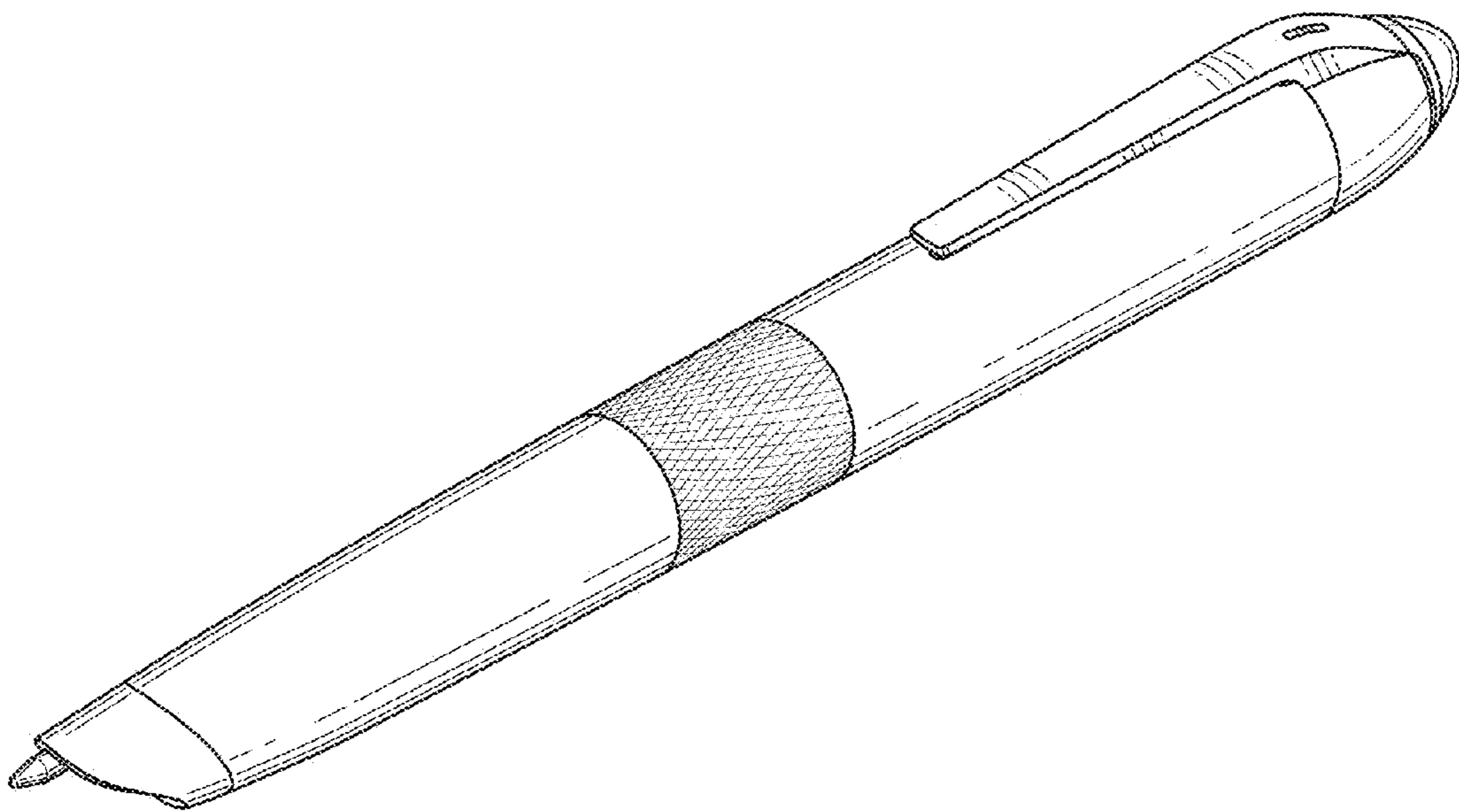


FIG. 1

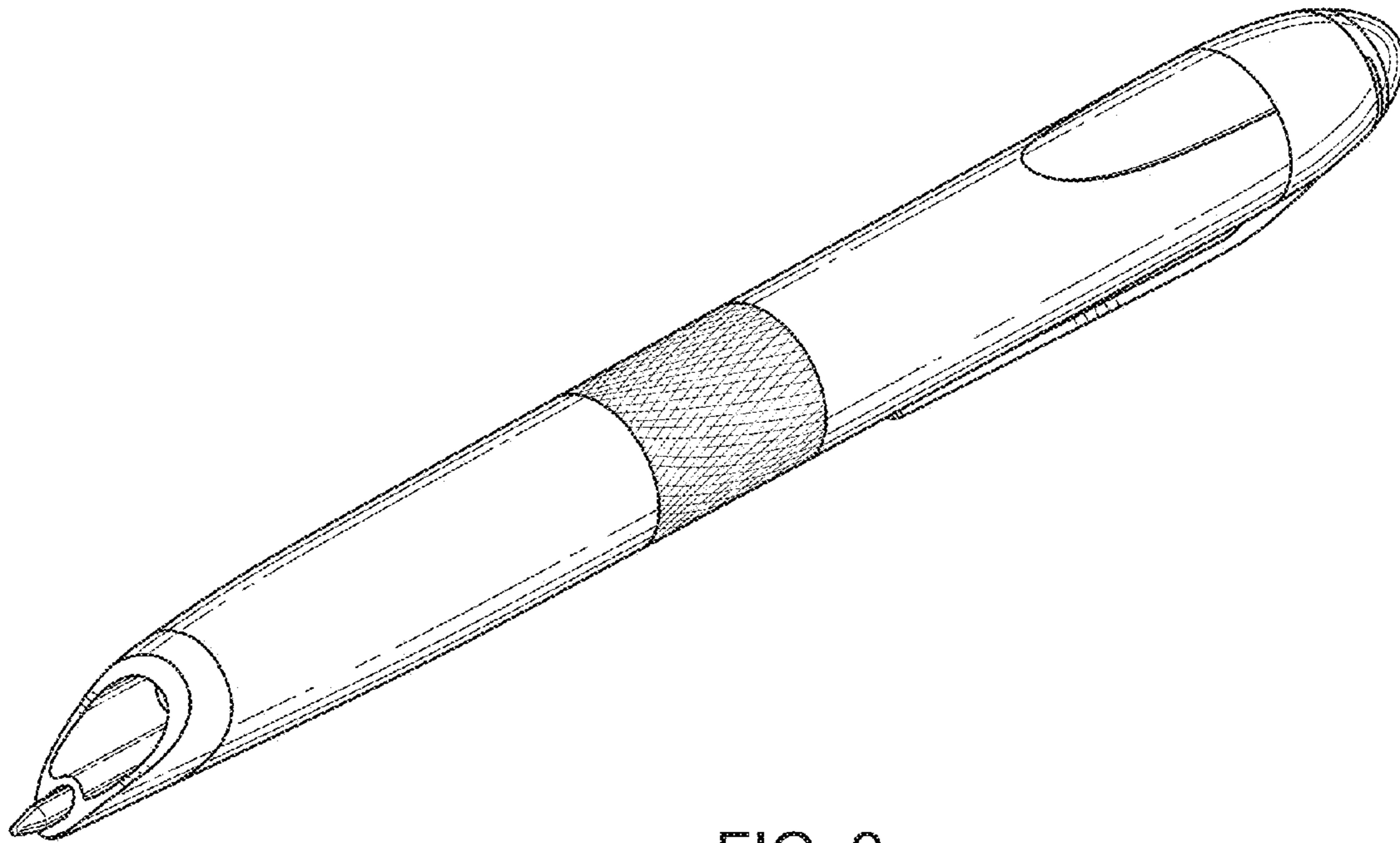


FIG. 2

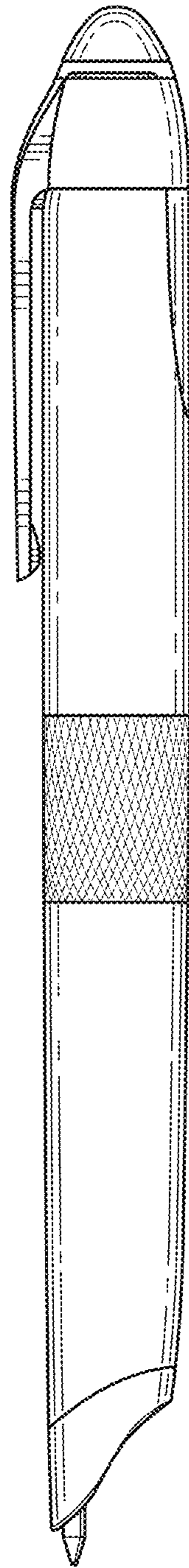


FIG. 3

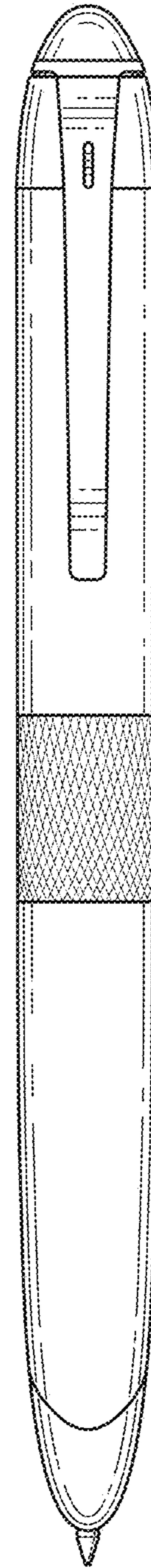


FIG. 4

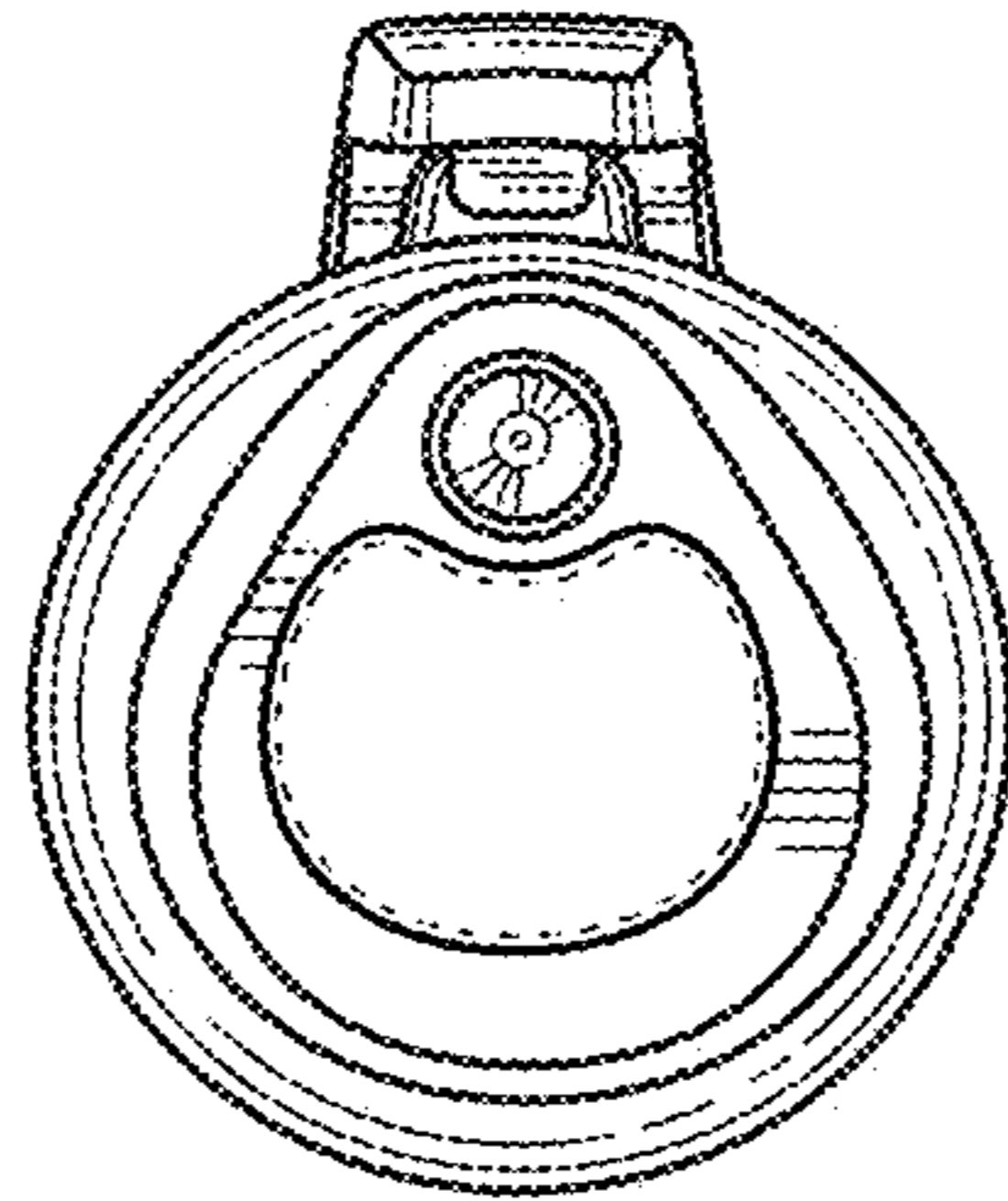


FIG. 5

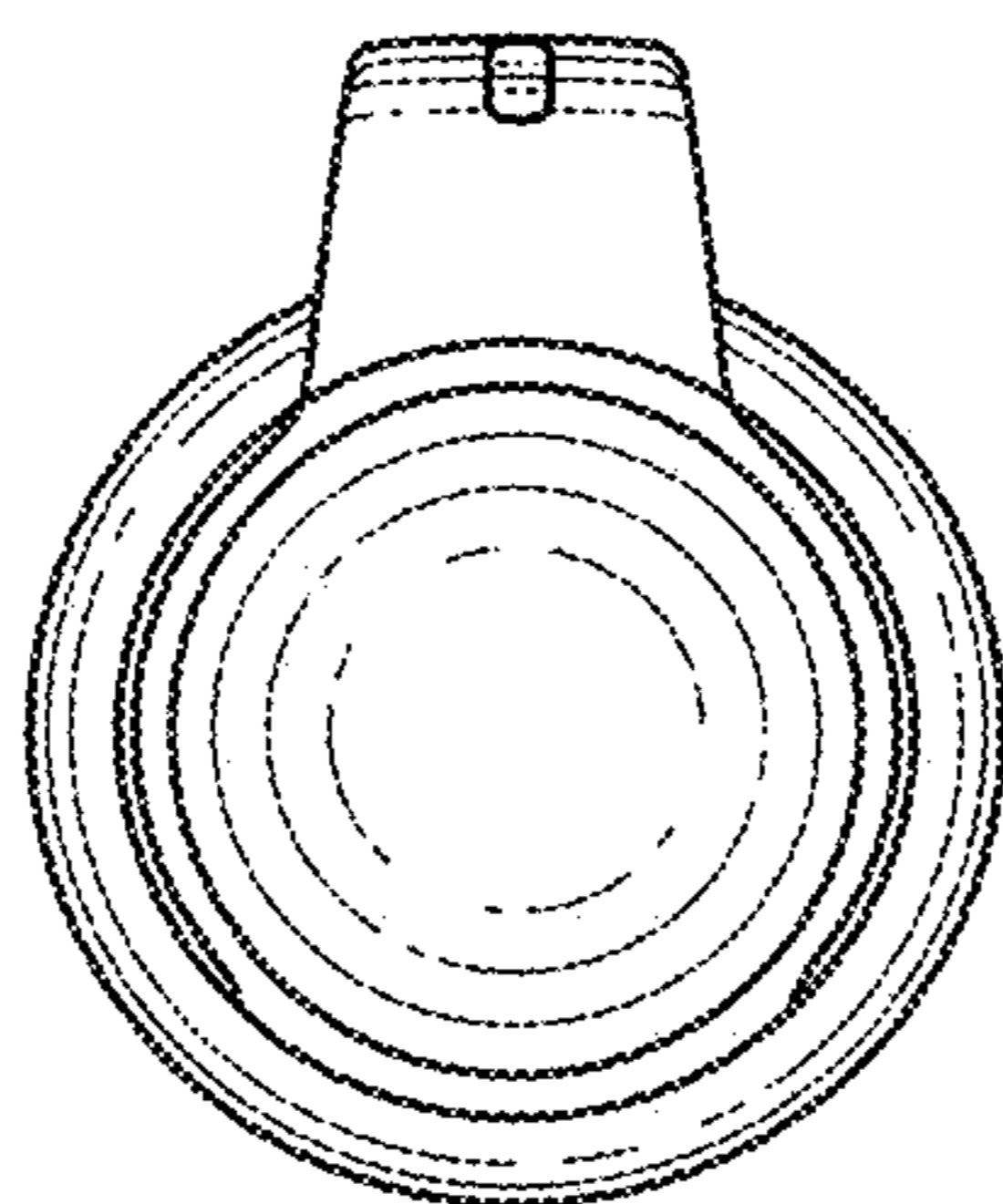


FIG. 6

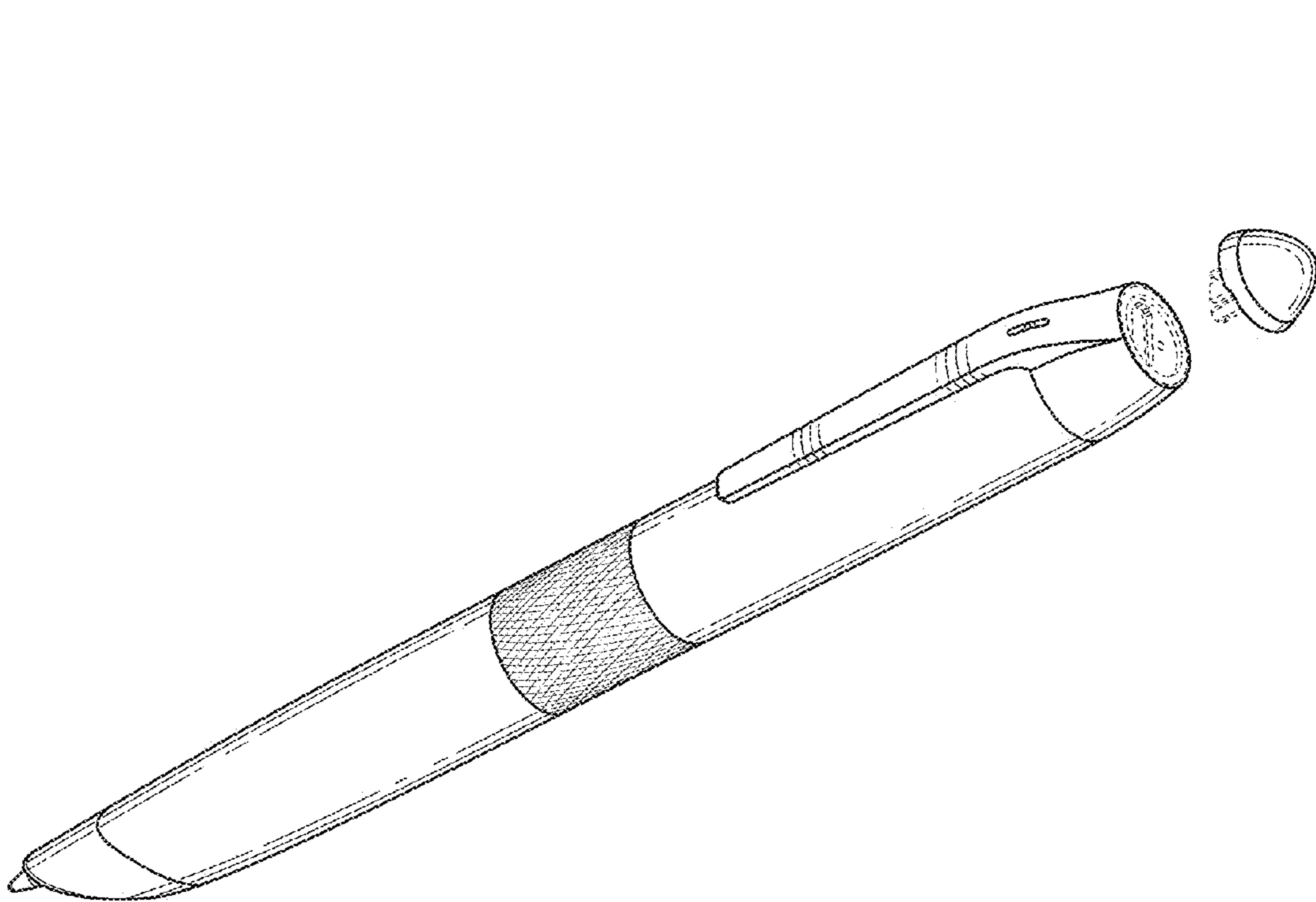


FIG. 7

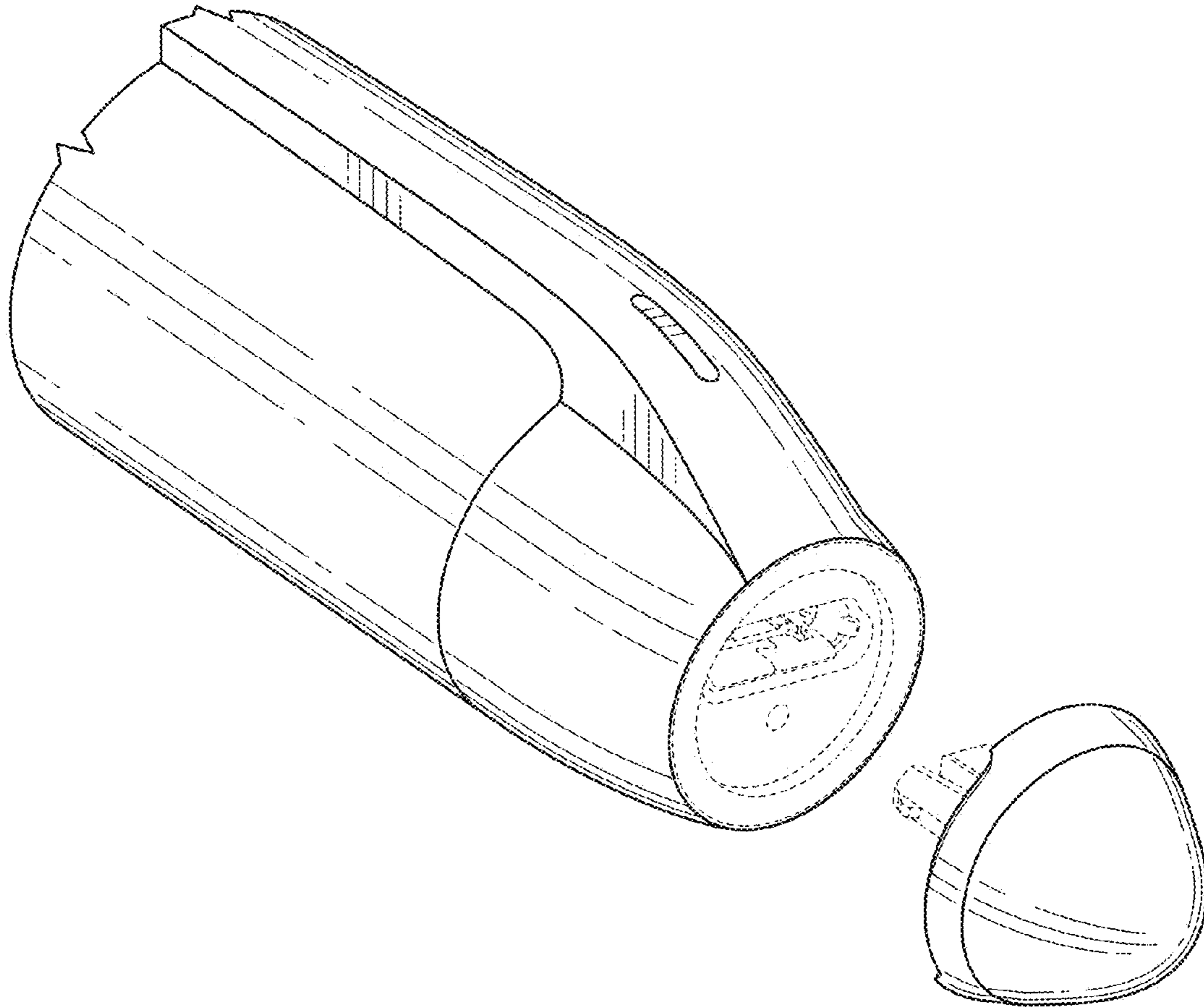


FIG. 8