



US00D704187S

(12) **United States Design Patent**
Eastwood

(10) **Patent No.:** **US D704,187 S**

(45) **Date of Patent:** **** May 6, 2014**

(54) **ELECTRONIC PEN**
(75) Inventor: **Mark Eastwood**, Kentfield, CA (US)
(73) Assignee: **Wacom Co., Ltd.**, Kazo-shi (JP)
(**) Term: **14 Years**
(21) Appl. No.: **29/393,050**
(22) Filed: **May 27, 2011**

D686,618 S * 7/2013 Wilson et al. D14/411
D686,619 S * 7/2013 Liu D14/411
D688,666 S * 8/2013 Kowari et al. D14/411
D691,137 S * 10/2013 Yeon et al. D14/411
D694,756 S * 12/2013 Nakata D14/411

FOREIGN PATENT DOCUMENTS

JP D1223237 S 11/2004

OTHER PUBLICATIONS

“Zpen User’s Guide,” Version 4.0, Dane-Elec Digital Products, n.d.,
<[http://www.danedigital.com/UserFiles/Ful-IUserManualzPenEnglish\(1\).pdf](http://www.danedigital.com/UserFiles/Ful-IUserManualzPenEnglish(1).pdf)> [retrieved Aug. 24, 2011], 49 pages.

* cited by examiner

Primary Examiner — Austin Murphy
(74) *Attorney, Agent, or Firm* — Christensen O’Connor Johnson Kindness PLLC

(30) **Foreign Application Priority Data**

Dec. 28, 2010 (JP) 2010-031369

(51) **LOC (10) Cl.** **14-02**

(52) **U.S. Cl.**
USPC **D14/411**

(58) **Field of Classification Search**
USPC D8/61; D14/411; D19/35, 36, 41–51,
D19/54–58; 401/55, 99, 100, 104–107, 196,
401/197, 202, 208, 209, 213, 192, 195,
401/243; 708/107; 345/179, 173;
178/19.01; 700/94

See application file for complete search history.

(57) **CLAIM**

The ornamental design for an electronic pen, as shown and described.

(56) **References Cited**

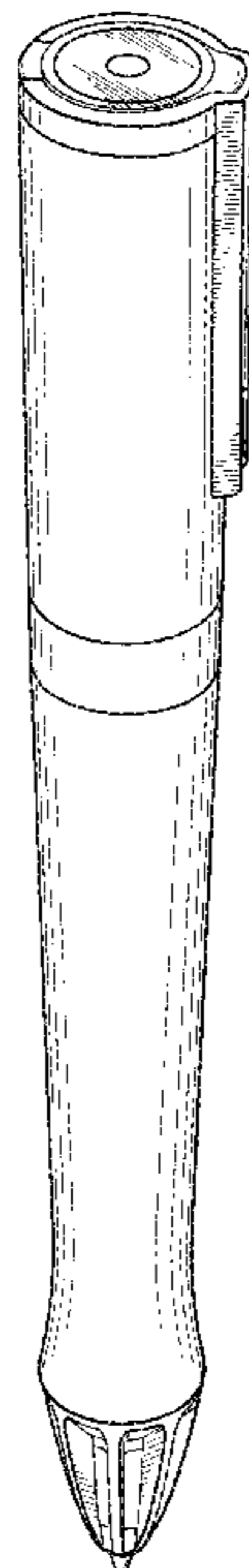
U.S. PATENT DOCUMENTS

D395,875 S * 7/1998 Aiken et al. D14/411
6,100,877 A 8/2000 Chery
6,414,673 B1 7/2002 Wood
D501,881 S 2/2005 Shimizu
D584,355 S 1/2009 Hidaka
D595,718 S * 7/2009 Richter et al. D14/411
D655,707 S * 3/2012 Miyauchi et al. D14/411
D663,301 S * 7/2012 Lien D14/411
D676,049 S * 2/2013 Lee et al. D14/411
D682,276 S * 5/2013 Nakata D14/411

DESCRIPTION

FIG. 1 is an upper front left perspective view of an electronic pen showing my new design;
FIG. 2 is a front elevation view thereof;
FIG. 3 is a rear elevation view thereof;
FIG. 4 is a right side elevation view thereof;
FIG. 5 is a left side elevation view thereof;
FIG. 6 is an enlarged top plan view thereof; and,
FIG. 7 is an enlarged bottom plan view thereof.

1 Claim, 4 Drawing Sheets



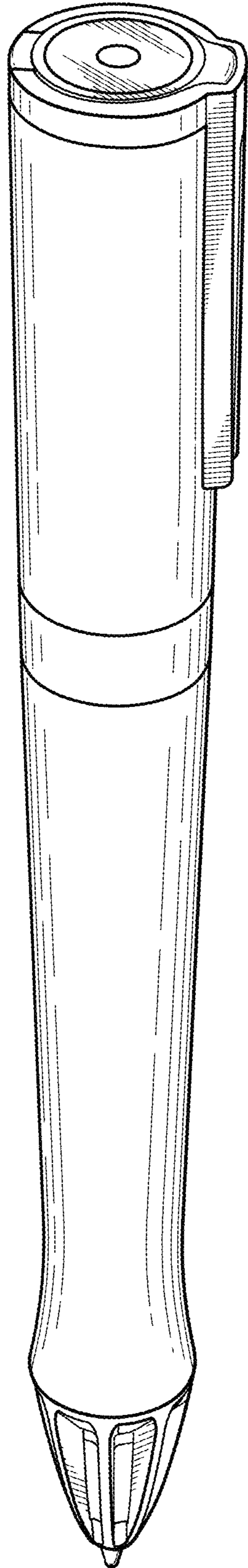


Fig. 1

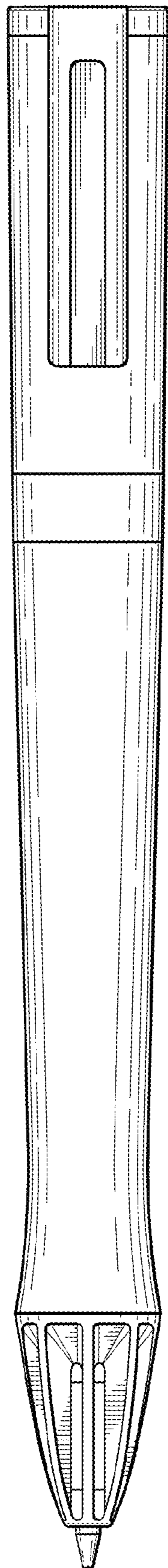


Fig. 2

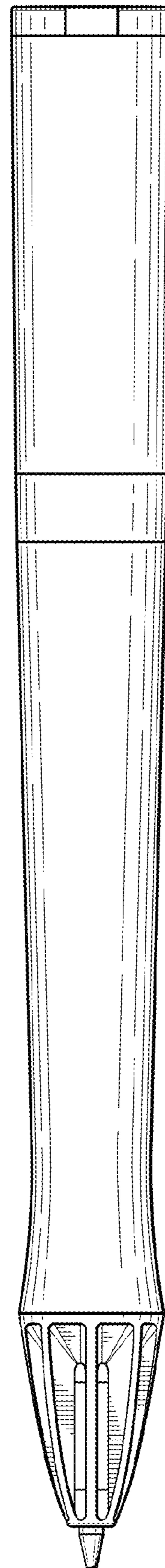


Fig. 3

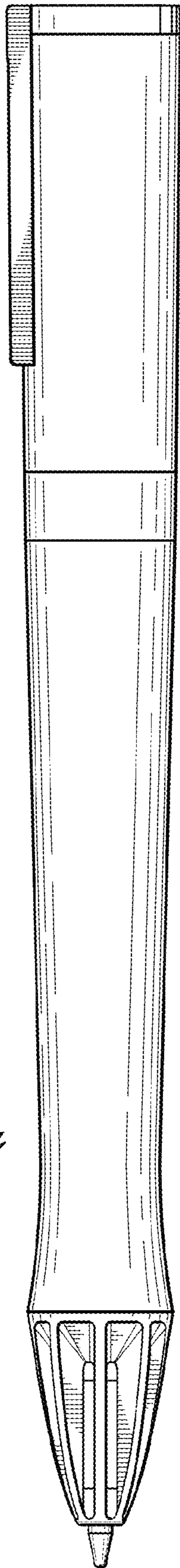


Fig. 4

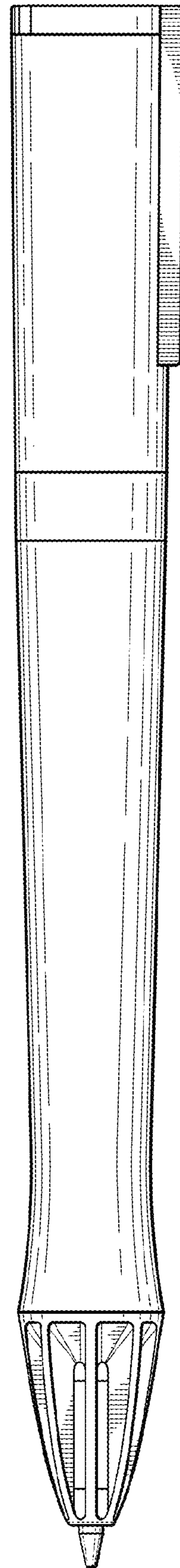


Fig. 5

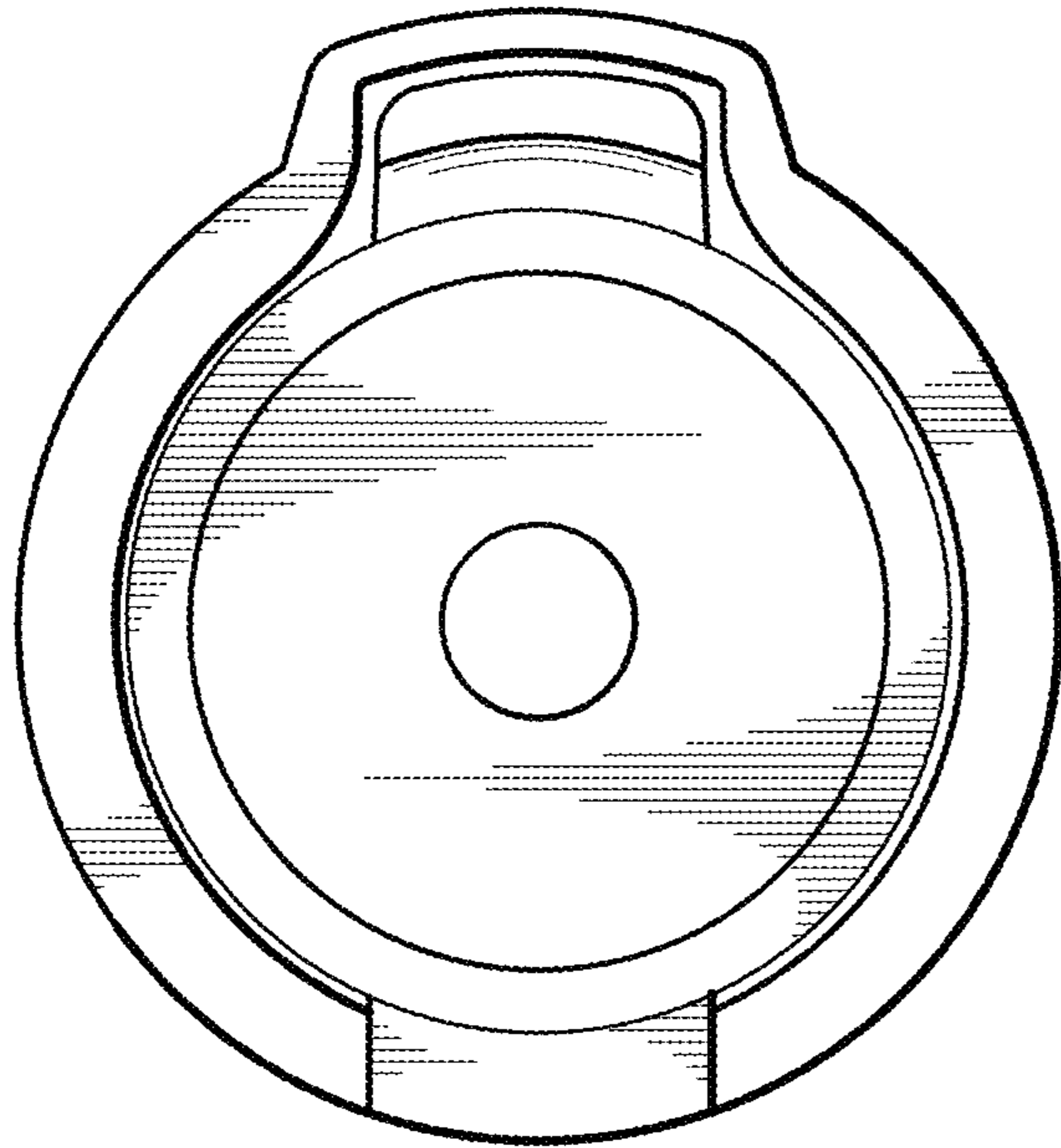


Fig. 6

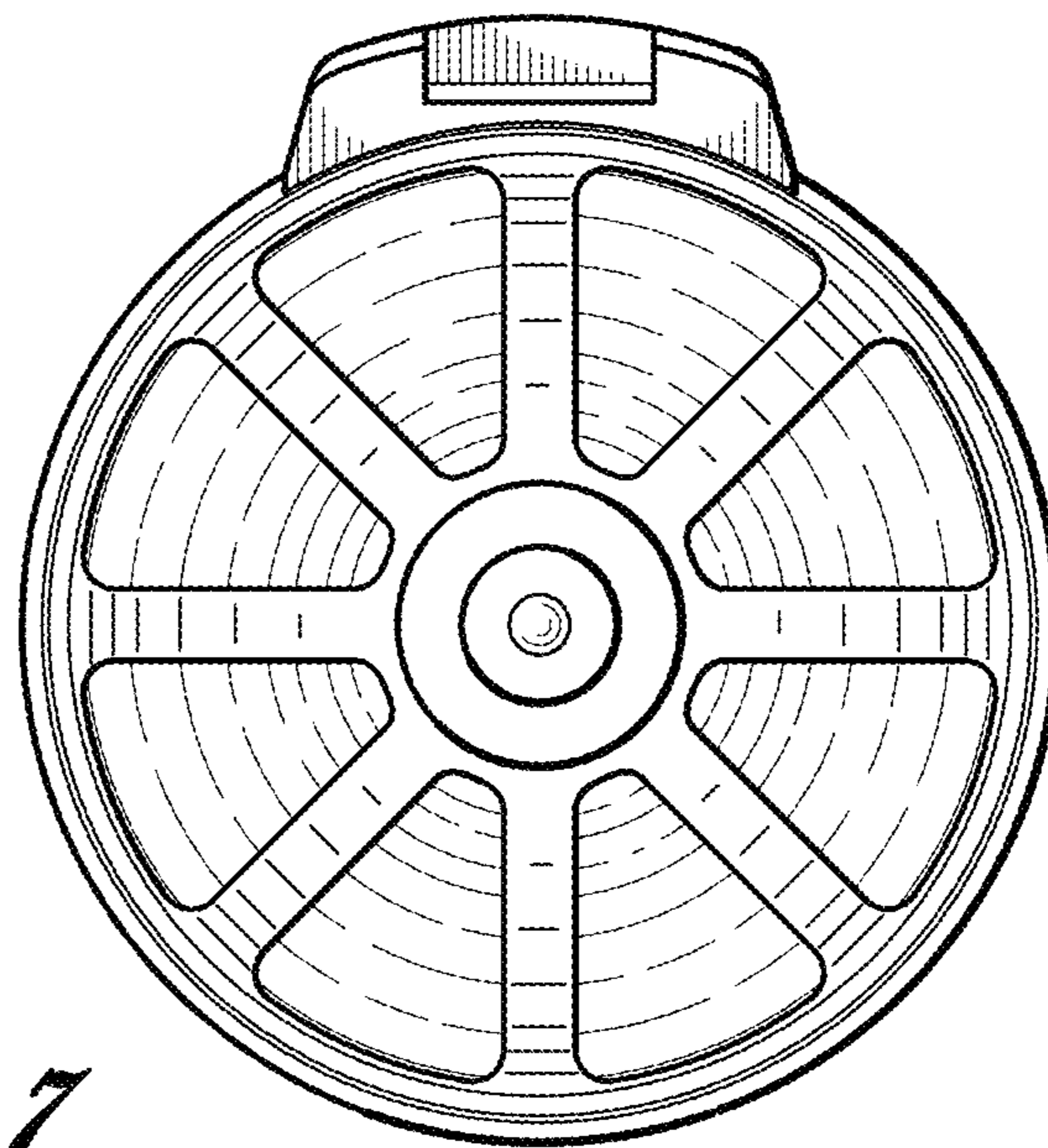


Fig. 7