



US00D704186S

(12) **United States Design Patent**
Bajwa et al.

(10) **Patent No.:** **US D704,186 S**
(45) **Date of Patent:** **** May 6, 2014**

(54) **INDUSTRIAL COMPUTER**

(75) Inventors: **Jessbir Singh Bajwa**, Canton, MI (US);
Randal Earle Bradakis, Livonia, MI (US); **Russell Brink**, Ann Arbor, MI (US); **Patrick Kubovsky**, Mechanicsburg, PA (US); **Scott David Lindstrom**, Mechanicsburg, PA (US); **Michael Wayne Rothwell**, Mechanicsburg, PA (US); **Michael Ahlbrecht**, Bad Pyrmont (DE); **Sooshin Choi**, Cincinnati, OH (US); **Dietmar Knecht**, Leopoldshoehe (DE)

(73) Assignee: **Phoenix Contact Development and Manufacturing, Inc.**, Middletown, PA (US)

(**) Term: **14 Years**

(21) Appl. No.: **29/431,768**

(22) Filed: **Sep. 11, 2012**

(51) **LOC (10) Cl.** **14-02**

(52) **U.S. Cl.**
USPC **D14/341**

(58) **Field of Classification Search**
USPC D14/341-347, 137, 138 AA, 138 R, D14/138 C, 138 G, 496, 203.1, 203.3, 203.7, D14/426, 129, 130, 420, 147, 218, 247-248, D14/389, 388, 315-318; D10/65, 104.1; D18/6-7; D21/324, 329, 330; 455/556.1, 556.2, 566, 575.1, 90.3; 379/433.04, 433.01, 433.06, 916; 345/173, 901, 905; 361/679.26, 361/679.27, 679.3, 679.55, 679.56, 361/680-686; 248/917-924; 348/373, 376; D19/60

See application file for complete search history.

(56) **References Cited**

U.S. PATENT DOCUMENTS

D306,583 S	3/1990	Krolopp et al.	
D484,471 S	12/2003	Lin et al.	
D539,281 S	3/2007	Kim et al.	
D560,683 S	1/2008	Lee	
D567,202 S	4/2008	Rieu Piquet	
D575,171 S *	8/2008	Miyawaki	D10/65
D596,173 S	7/2009	Arfin	
D601,353 S *	10/2009	Sadler et al.	D6/308
D602,259 S	10/2009	Finnegan	
D606,992 S	12/2009	Liu et al.	
D610,584 S	2/2010	Zhu	
D614,871 S	5/2010	Tang et al.	
D627,777 S	11/2010	Akana et al.	
D628,199 S	11/2010	Yukikado et al.	
D636,391 S *	4/2011	Shen et al.	D14/341
D637,596 S	5/2011	Akana et al.	
D639,266 S *	6/2011	DeLorenzo et al.	D14/142
D641,018 S *	7/2011	Lee et al.	D14/341
D646,902 S *	10/2011	Woo et al.	D6/308
D663,298 S *	7/2012	Song et al.	D14/341
D667,396 S *	9/2012	Koh	D14/341
D667,397 S *	9/2012	Koh	D14/341

(Continued)

Primary Examiner — Barbara Fox

(74) *Attorney, Agent, or Firm* — Hooker & Habib, P.C.

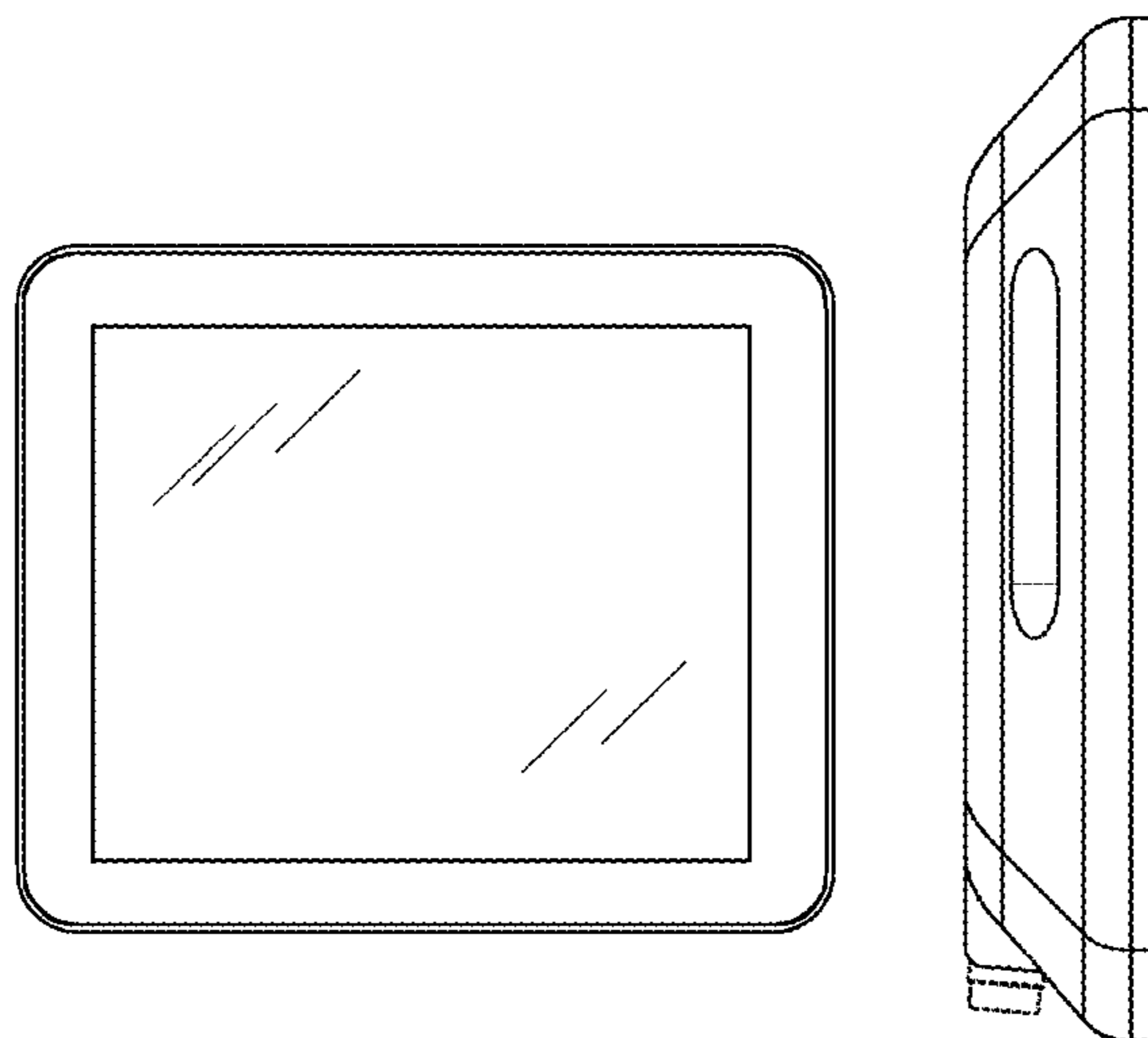
(57) **CLAIM**

The ornamental design for an industrial computer, as shown and described.

DESCRIPTION

FIG. 1 is a top view of an industrial computer showing the new design;
FIG. 2 is a bottom view thereof;
FIG. 3 is a front view thereof;
FIG. 4 is a rear view thereof;
FIG. 5 is a right side view thereof;
FIG. 6 is a left side view thereof; and,
FIG. 7 is a bottom right perspective view thereof.
The broken line portions of the figure drawings are included to show unclaimed subject matter only and form no part of the claimed design.

1 Claim, 5 Drawing Sheets



(56)

References Cited

U.S. PATENT DOCUMENTS

D668,651 S * 10/2012 Kim et al. D14/341
D677,255 S * 3/2013 McManigal et al. D14/341
D684,872 S * 6/2013 Bias et al. D10/49

D687,820 S * 8/2013 Kim D14/341
D687,824 S * 8/2013 Chun et al. D14/341
D687,827 S * 8/2013 Song et al. D14/341
D688,240 S * 8/2013 Wesolek D14/341
D689,481 S * 9/2013 Song et al. D14/341

* cited by examiner

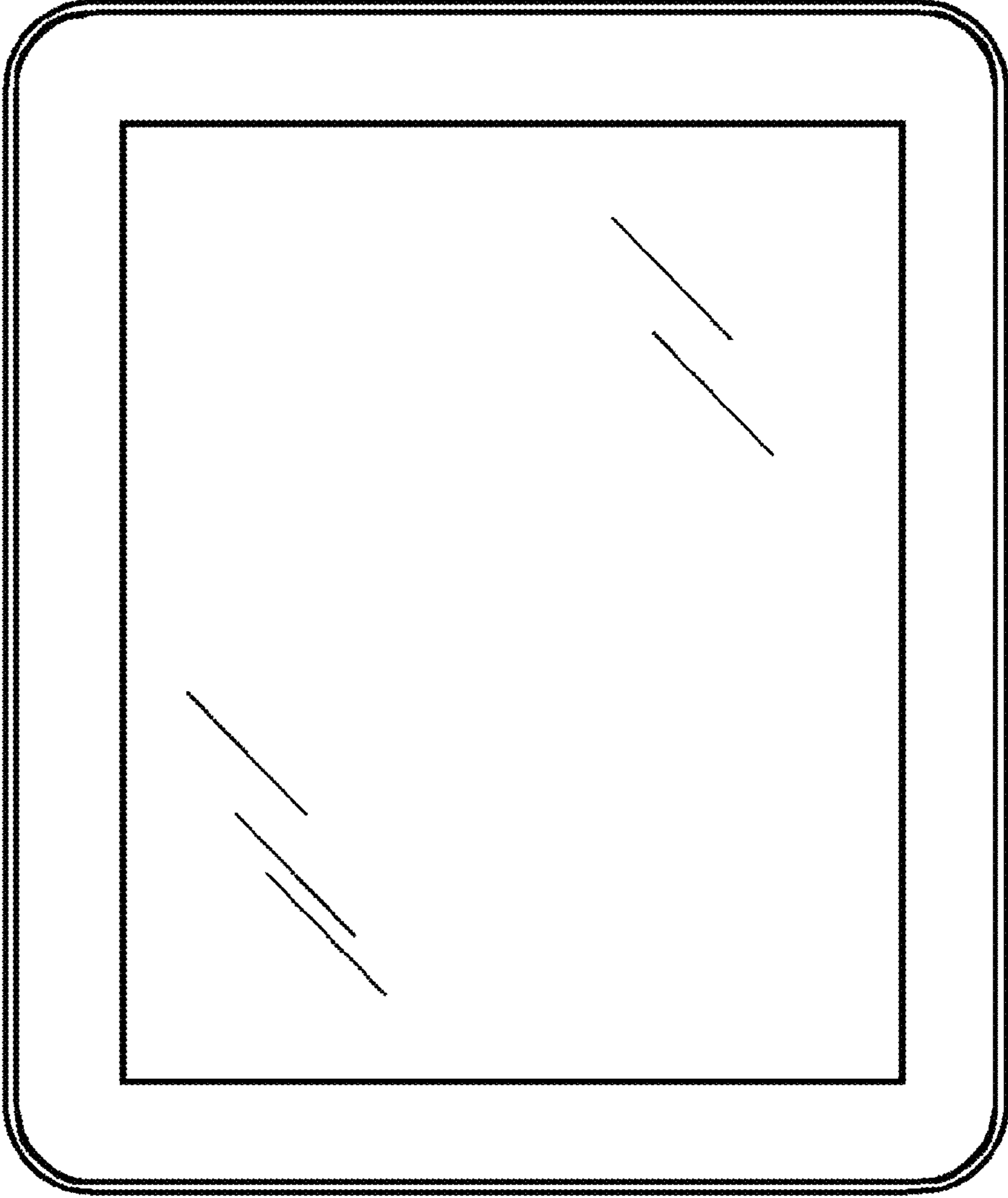


Fig. 1

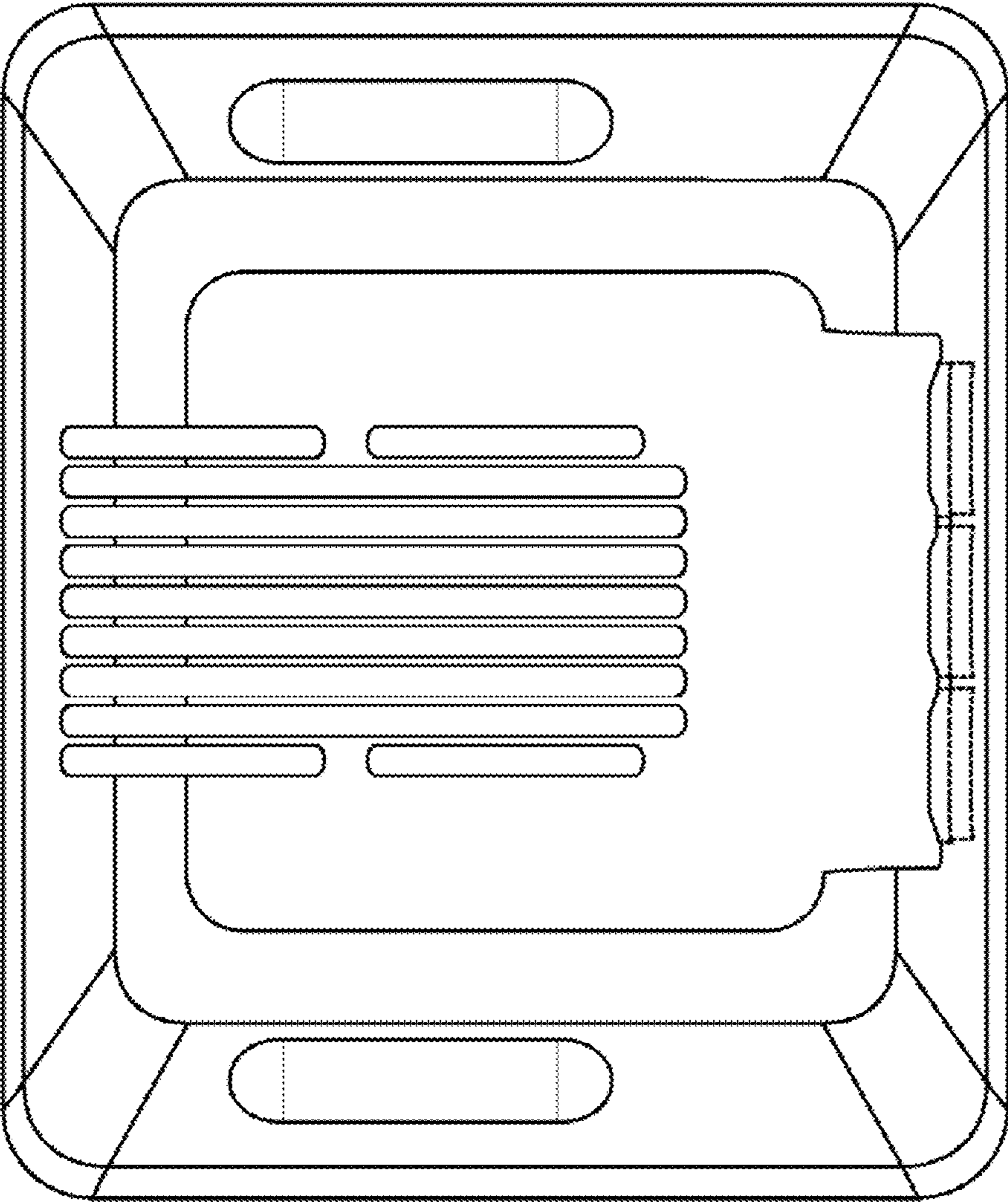


Fig. 2

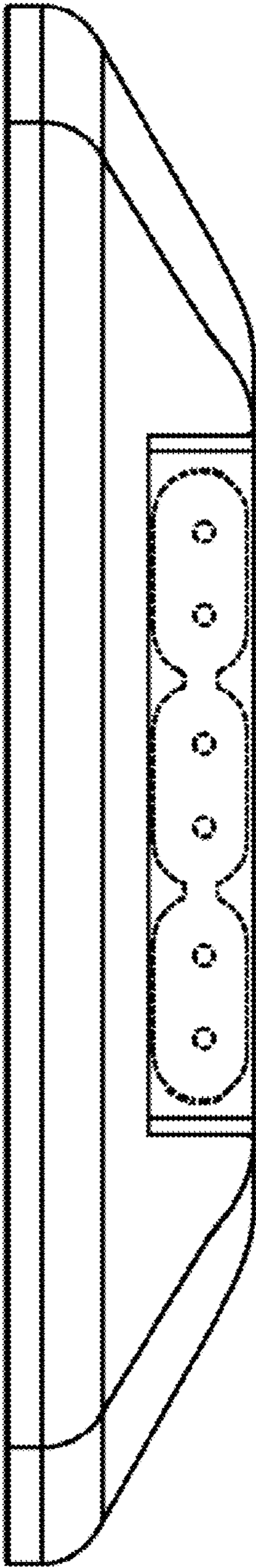


Fig. 3

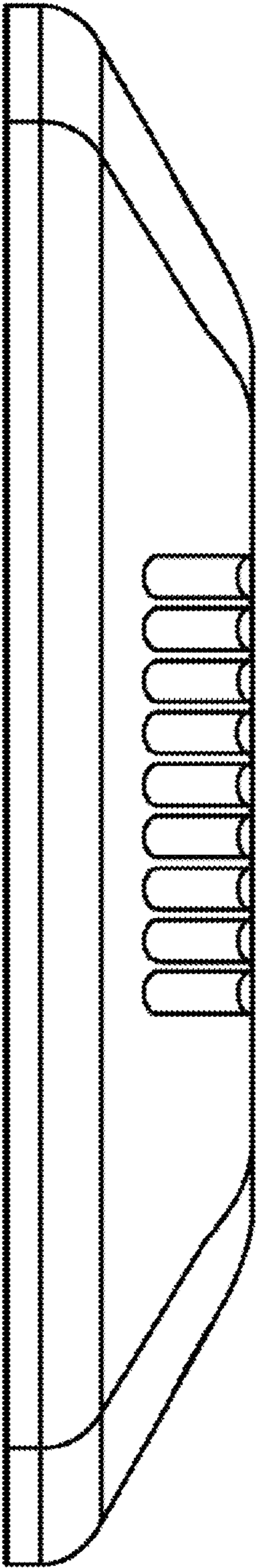


Fig. 4

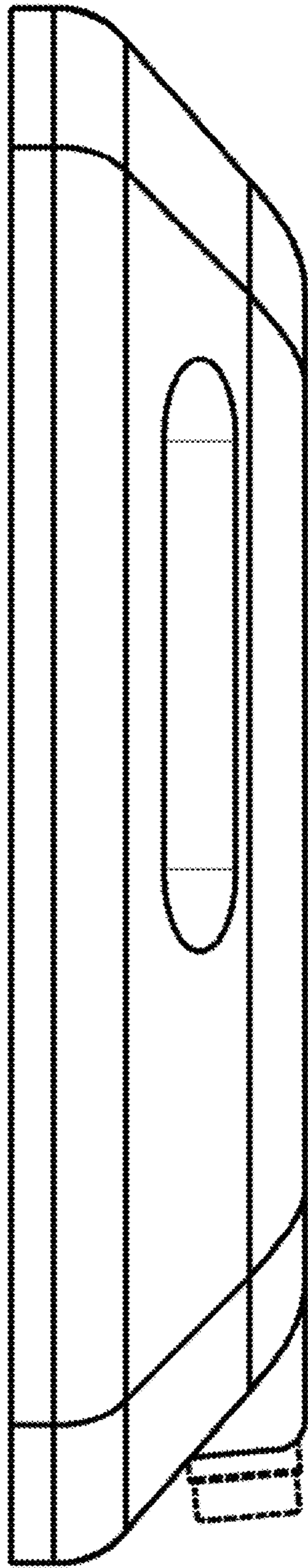


Fig. 5

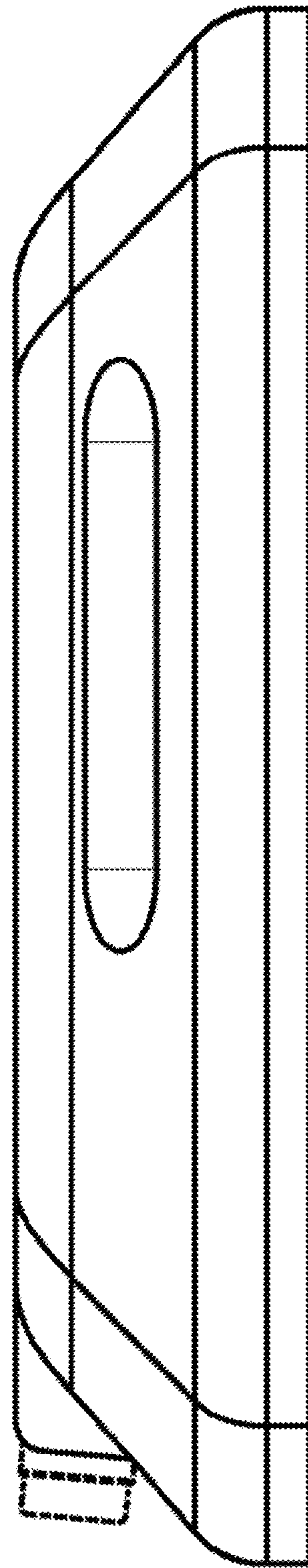


Fig. 6

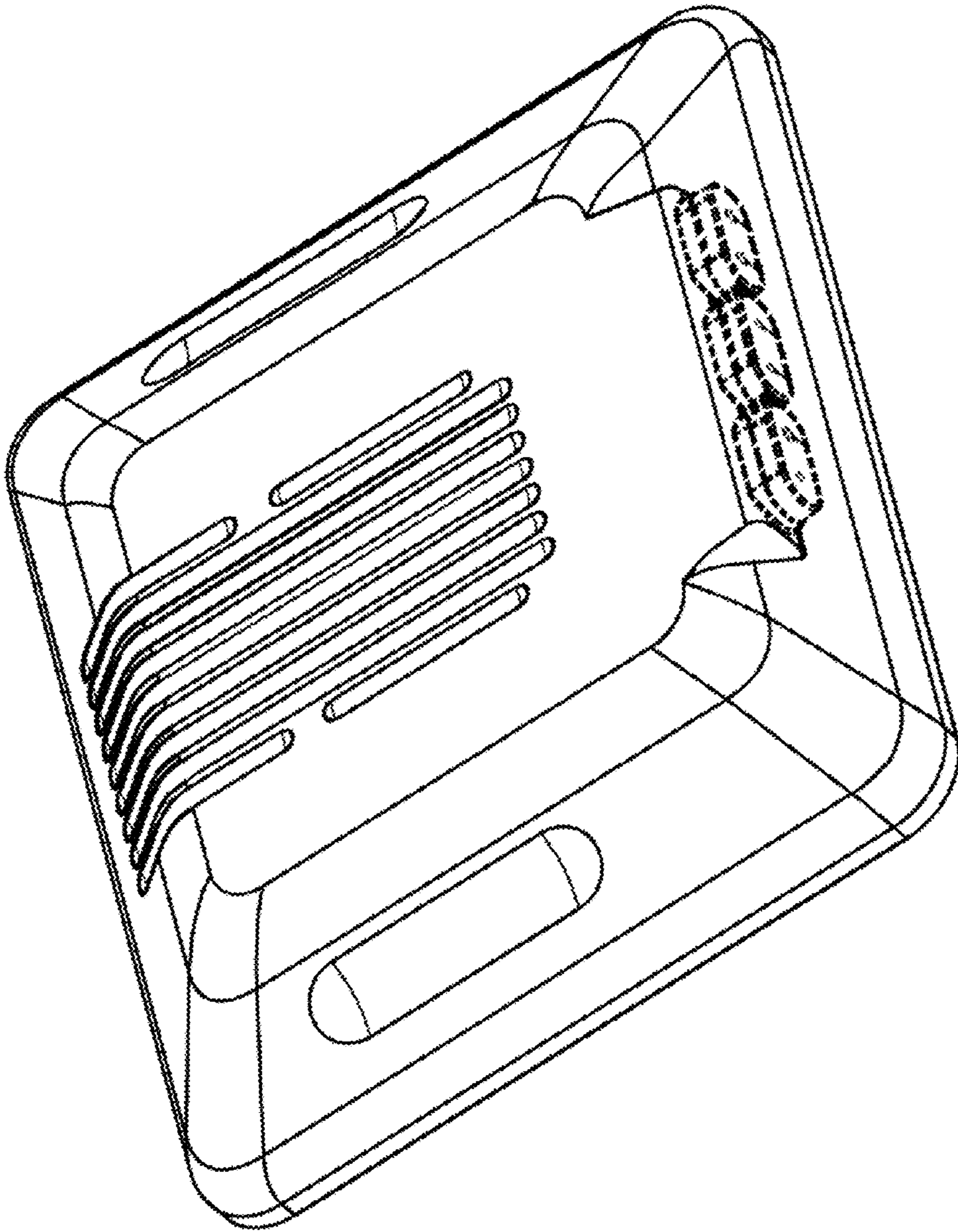


Fig. 7