



US00D704183S

(12) **United States Design Patent**
Guzman

(10) **Patent No.:** **US D704,183 S**

(45) **Date of Patent:** **** May 6, 2014**

(54) **CELLULAR TELEPHONE CASE
INCORPORATING CAMERA LENS**

(76) Inventor: **Jayson Guzman**, Orange, CA (US)

(**) Term: **14 Years**

(21) Appl. No.: **29/423,518**

(22) Filed: **Jun. 1, 2012**

(51) **LOC (10) Cl.** **14-03**

(52) **U.S. Cl.**
USPC **D14/250**

(58) **Field of Classification Search**

USPC D14/137, 138, 168, 203.1–203.7, 217,
D14/218, 248, 253, 440, 474, 496, 483, 356,
D14/507, 250; D3/218, 269; 345/905;
455/93, 95

See application file for complete search history.

(56) **References Cited**

U.S. PATENT DOCUMENTS

D615,084 S	*	5/2010	Burton et al.	D14/341
D626,538 S	*	11/2010	Brown et al.	D14/250
D628,997 S	*	12/2010	Daniel	D14/341
D656,137 S	*	3/2012	Chung et al.	D14/341
D671,102 S	*	11/2012	Rothbaum et al.	D14/250
D677,250 S	*	3/2013	Takamoto	D14/250
D687,426 S	*	8/2013	Requa	D14/250
D688,654 S	*	8/2013	Stevinson	D14/250
D690,928 S	*	10/2013	Zhang	D3/218
D691,124 S	*	10/2013	Yang	D14/250
D694,742 S	*	12/2013	Pan	D14/250

OTHER PUBLICATIONS

“Patuoxun Fisheye . . . Cover Case”, reference dated Dec. 15, 2013, found on the internet at <http://www.amazon.com/Patuoxun-Fisheye-Camera-Samsung-GT-i9300/dp/B00C3DH0B4>.*

“iPhone 4 Microscope”, reference dated Dec. 15, 2013, found on the internet at <http://www.ebay.co.uk/bhp/iphone-4-microscope>.*

* cited by examiner

Primary Examiner — Robert M Spear

Assistant Examiner — Rhea Shields

(74) *Attorney, Agent, or Firm* — David G. Duckworth;
Russo & Duckworth, LLP

(57) **CLAIM**

The ornamental design for a cellular telephone case incorporating camera lens, as shown and described.

DESCRIPTION

FIG. 1 is a perspective view of the cellular telephone case incorporating camera lens;

FIG. 2 is a perspective view of the cellular telephone case incorporating camera lens in use mounted to a tripod;

FIG. 3 is a front perspective view of the cellular telephone case incorporating camera lens;

FIG. 4 is a front elevation view thereof;

FIG. 5 is a rear elevation view thereof;

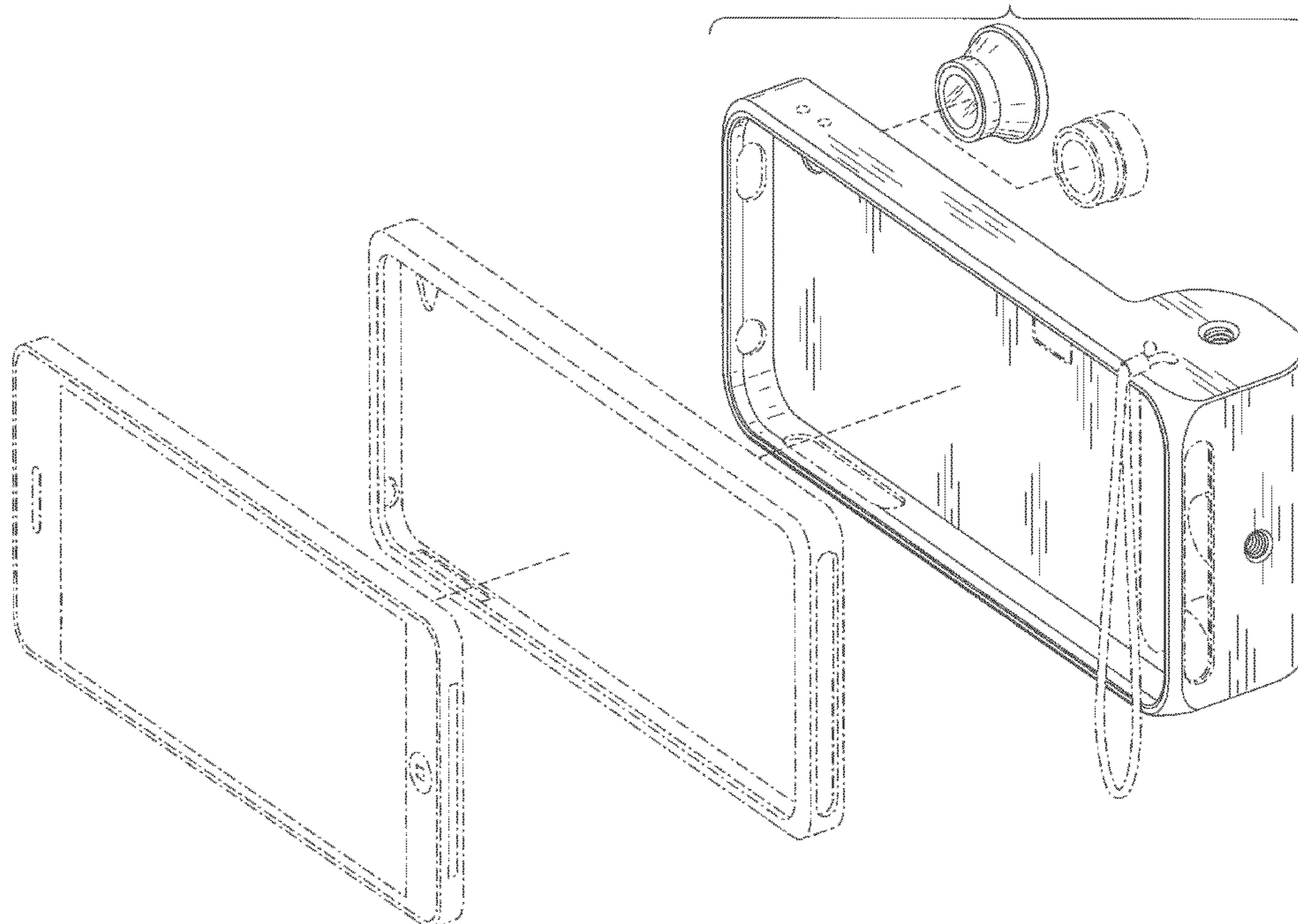
FIG. 6 is a right side elevation view thereof;

FIG. 7 is a left side elevation view thereof;

FIG. 8 is a top plan view thereof; and,

FIG. 9 is a bottom plan view thereof.

1 Claim, 5 Drawing Sheets



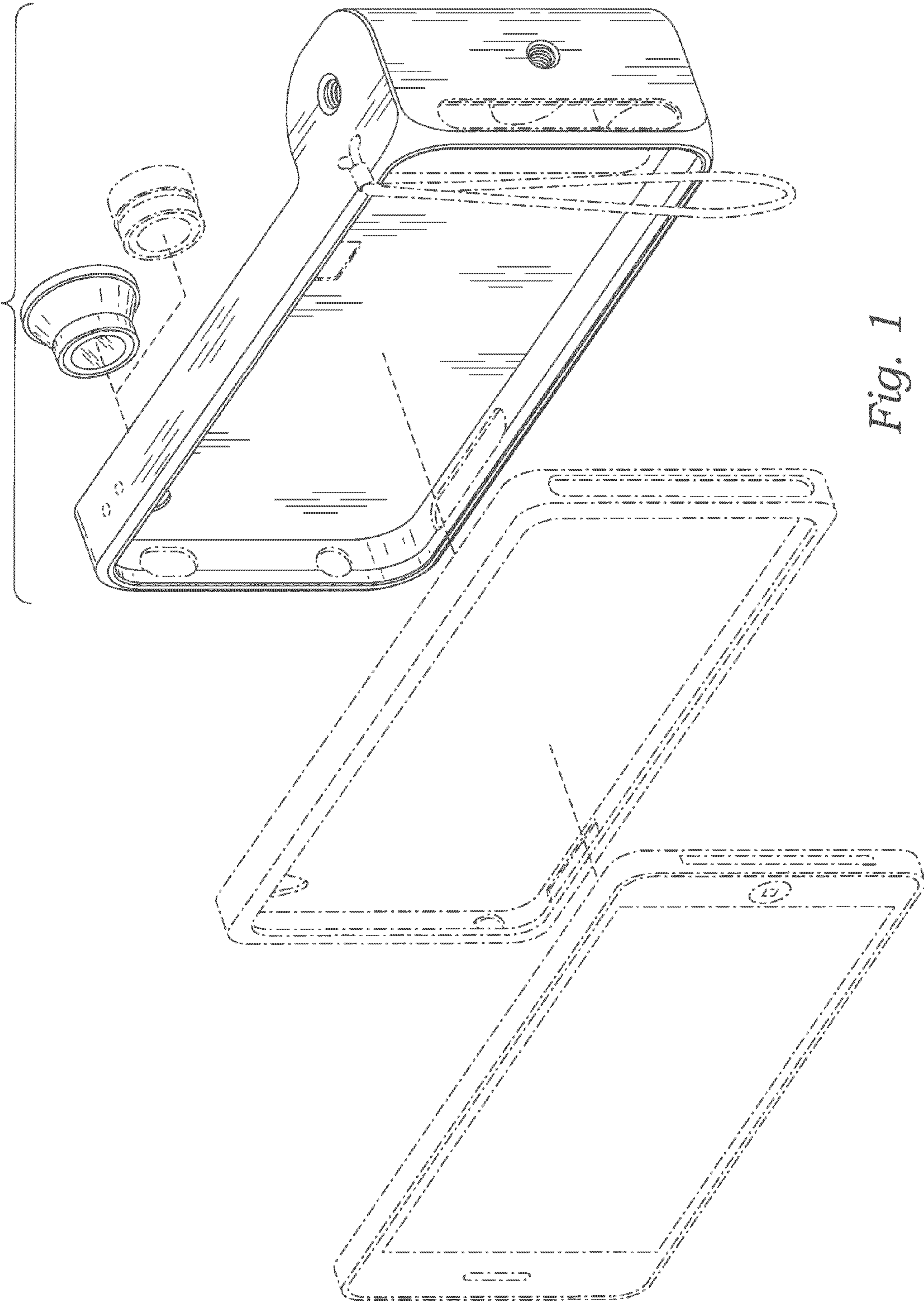


Fig. 1

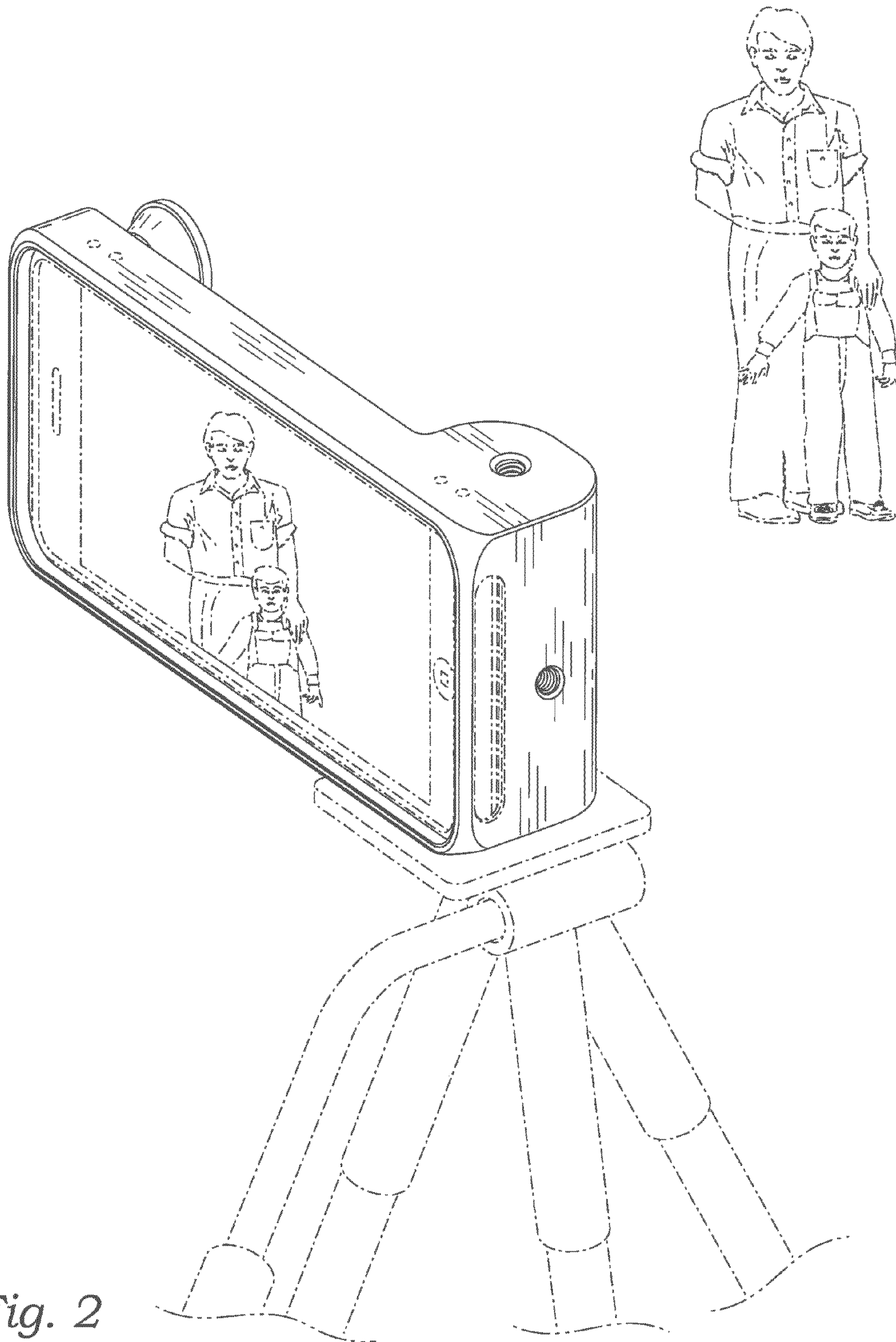


Fig. 2

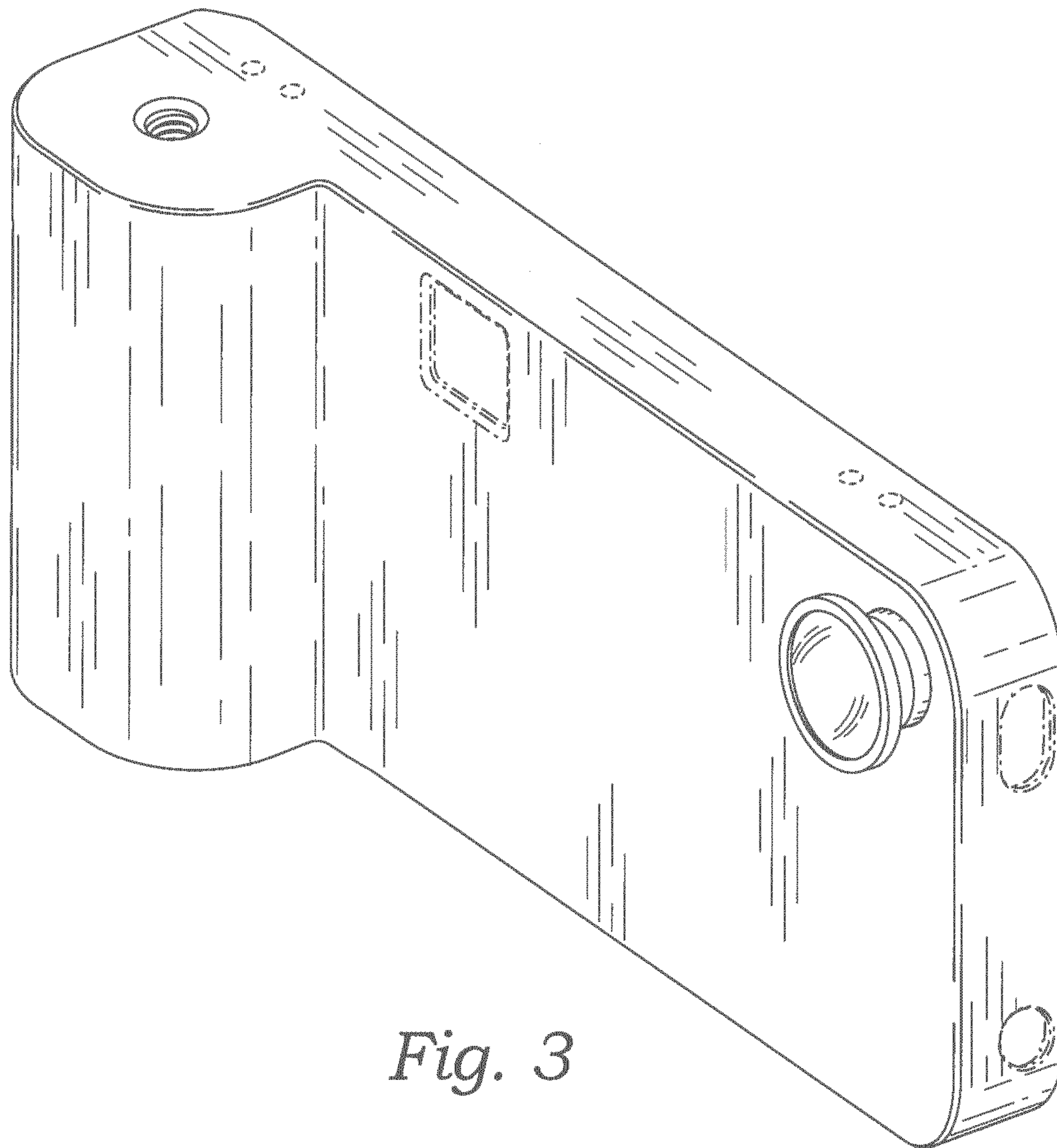


Fig. 3

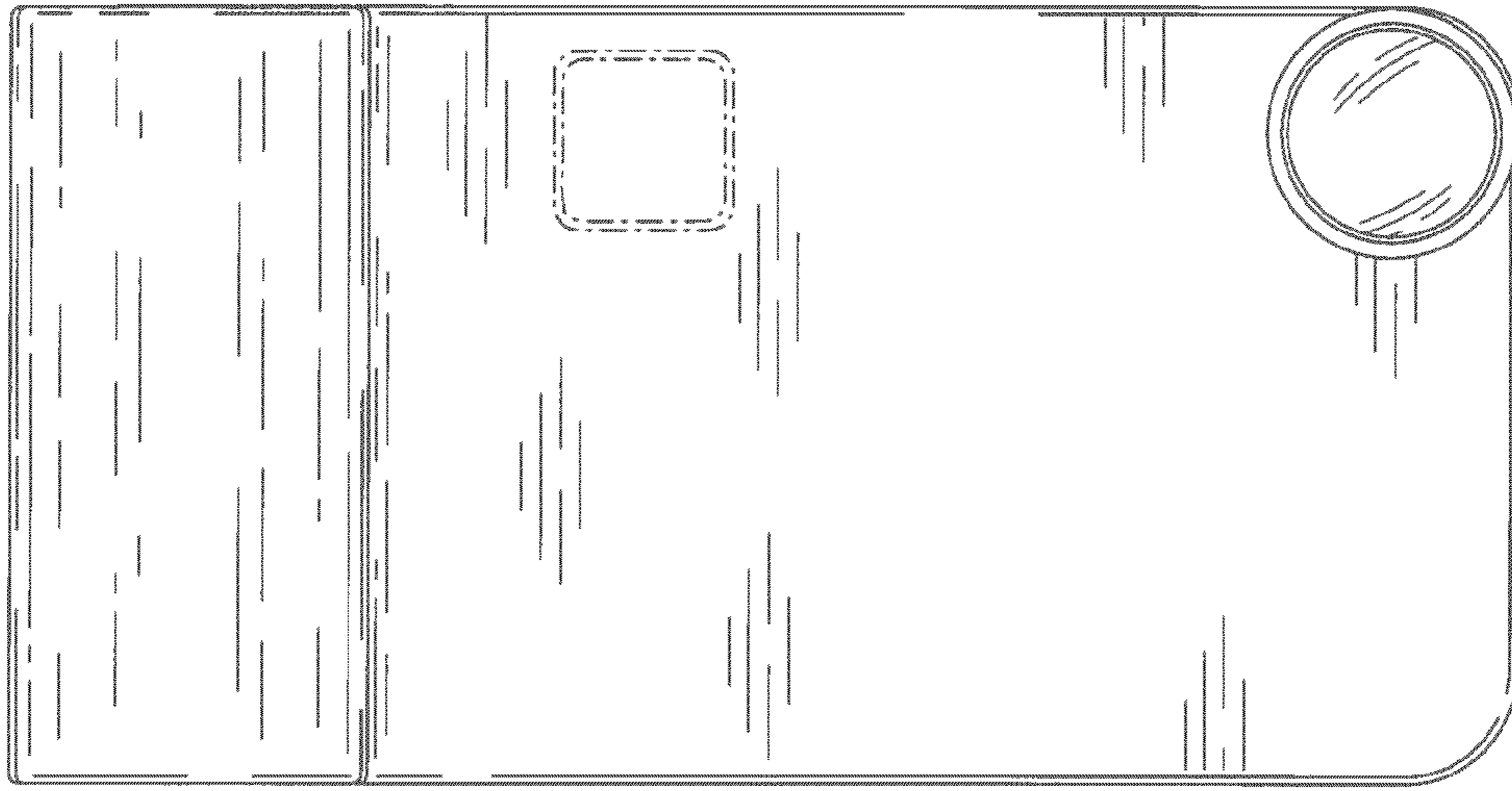


Fig. 4

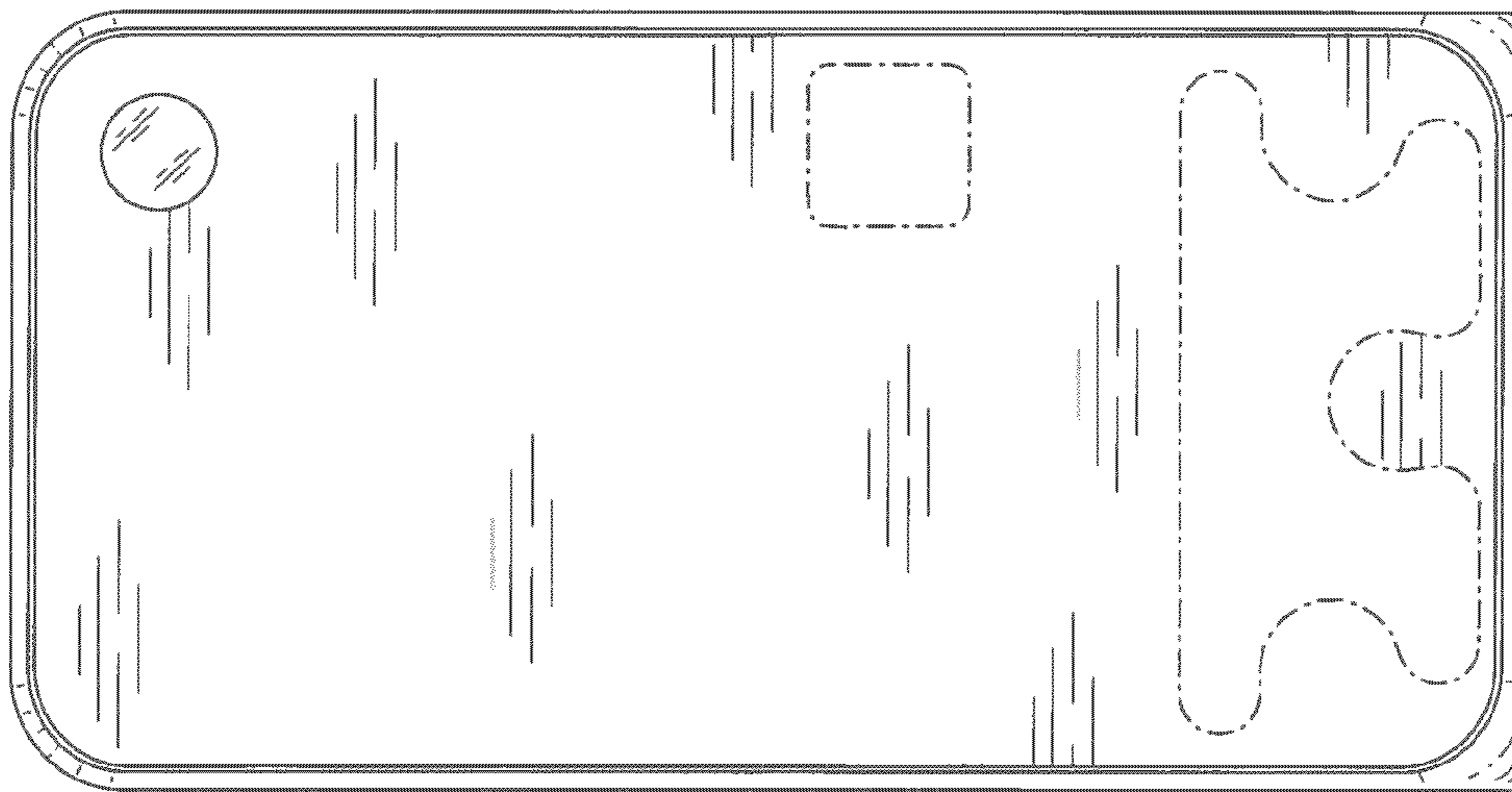


Fig. 5

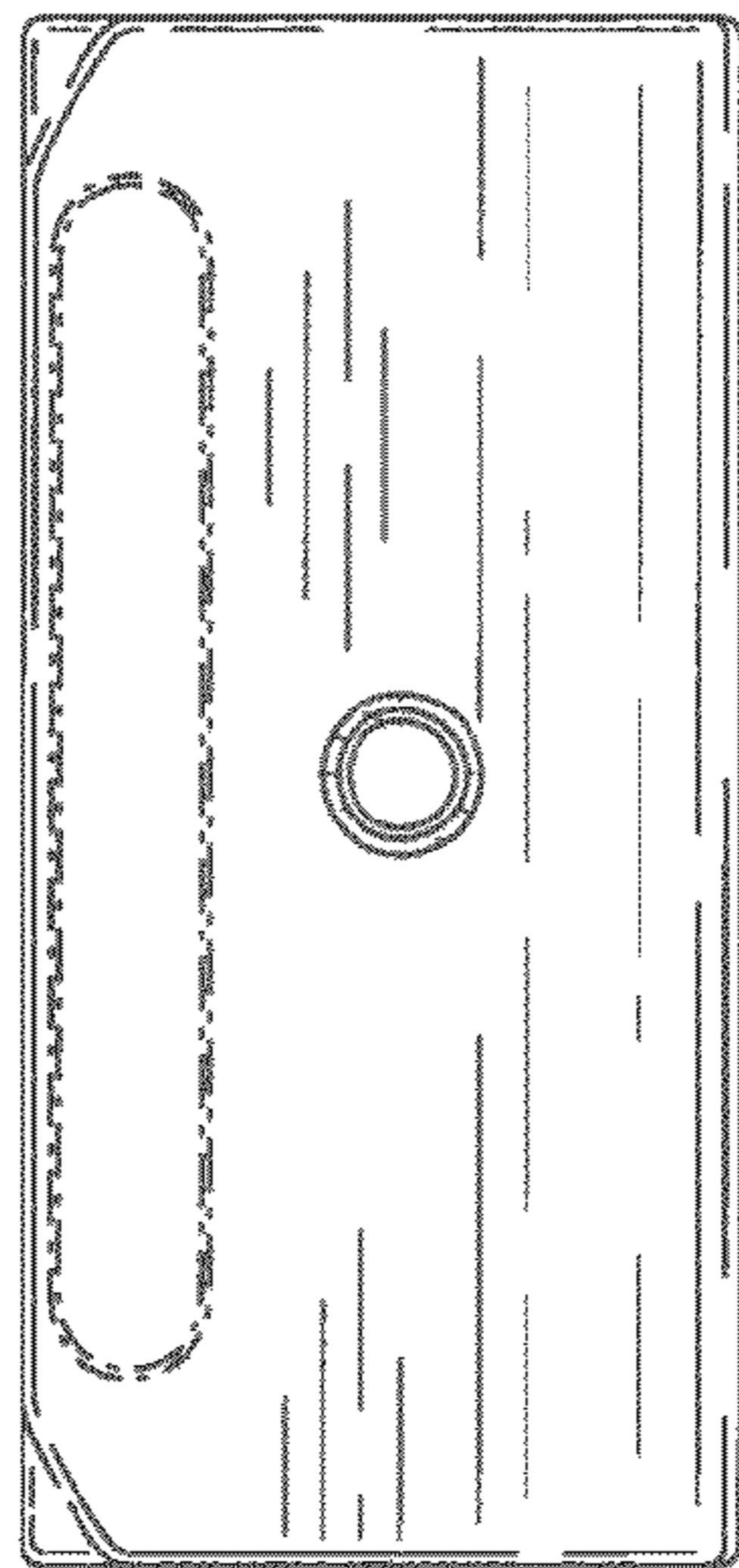


Fig. 6

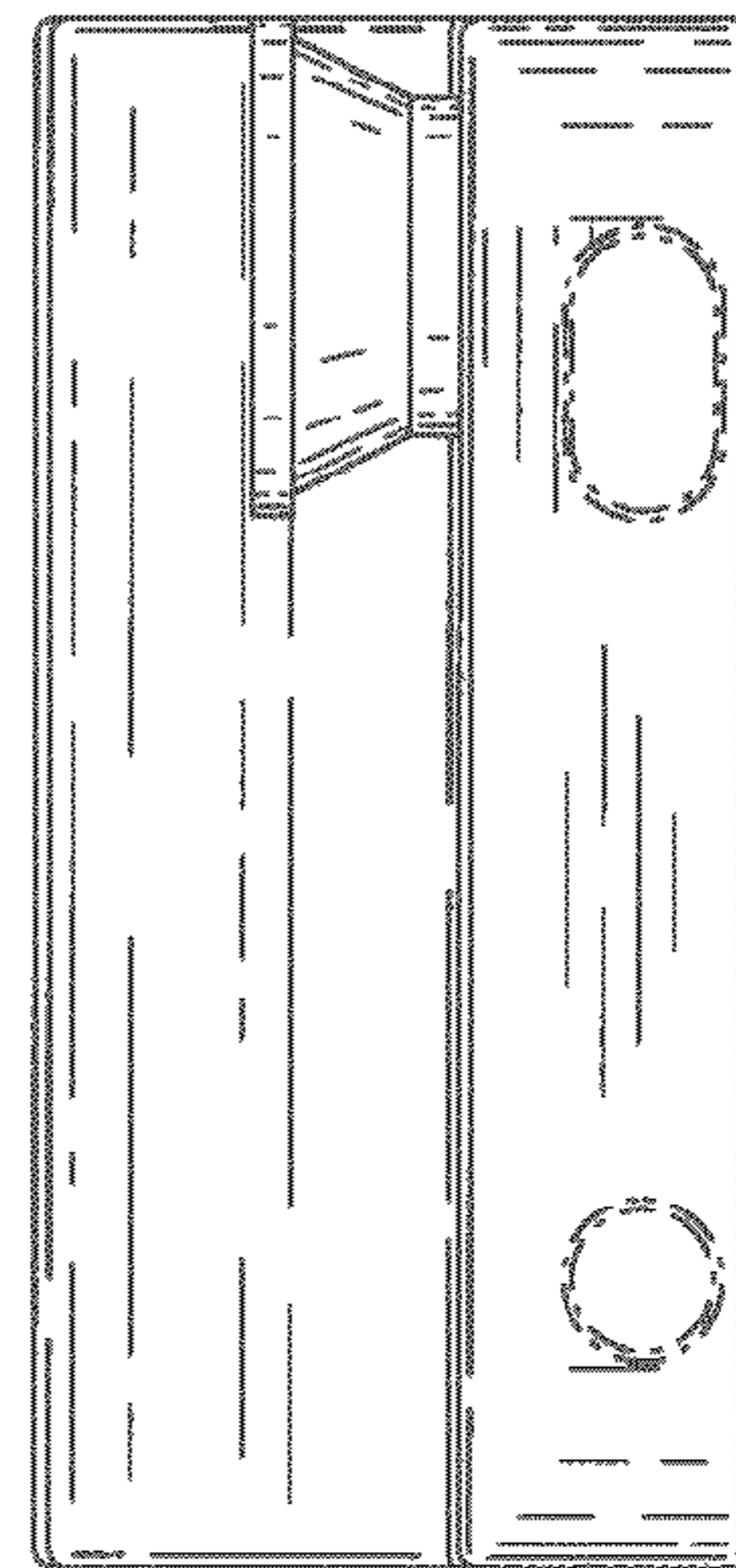


Fig. 7

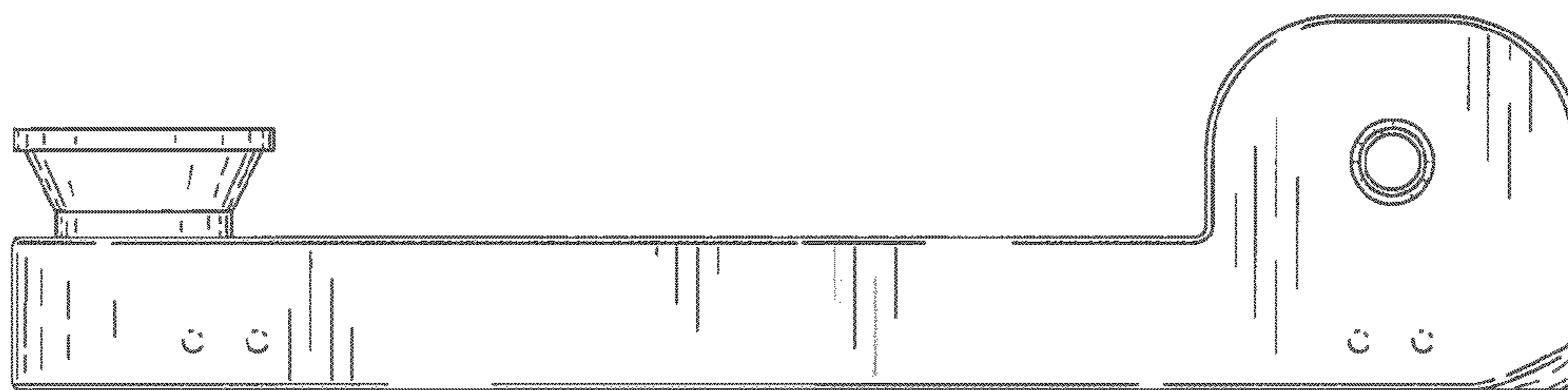


Fig. 8

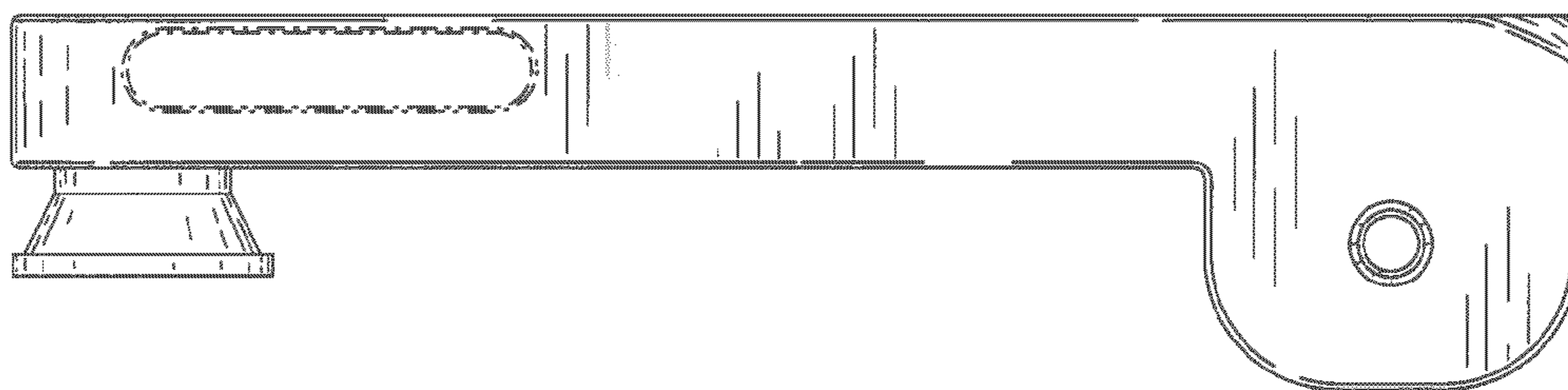


Fig. 9