



US00D704181S

(12) **United States Design Patent**
Stevinson

(10) **Patent No.:** **US D704,181 S**

(45) **Date of Patent:** **** May 6, 2014**

(54) **SLAP-ON TYPE EARPHONE STORAGE CASE**

(76) Inventor: **Dean Stevenson**, Centennial, CO (US)

(**) Term: **14 Years**

(21) Appl. No.: **29/409,531**

(22) Filed: **Dec. 23, 2011**

Related U.S. Application Data

(63) Continuation-in-part of application No. 13/167,662, filed on Jun. 23, 2011.

(51) **LOC (10) Cl.** **14-03**

(52) **U.S. Cl.**

USPC **D14/250**

(58) **Field of Classification Search**

USPC D14/250–253, 440, 203.3–203.7, 217, D14/496, 248, 238.1, 240, 447; D3/201, D3/218, 269, 301, 273, 303, 103, 247; D13/103, 107–108, 119; 220/4.02; 248/309.1, 371, 176.3, 668; 361/679.56, 679.3, 679.25, 816; 379/426, 433.11, 455; 455/575.1, 455/575.8; 206/305, 320; 345/173

See application file for complete search history.

(56) **References Cited**

U.S. PATENT DOCUMENTS

D529,288 S 10/2006 Ham
D553,352 S * 10/2007 Allen D3/218

(Continued)

Primary Examiner — Randall Gholson

(74) *Attorney, Agent, or Firm* — Lathrop & Gage LLP

(57) **CLAIM**

The ornamental design for a slap-on type earphone storage case, as shown and described.

DESCRIPTION

FIG. 1 is a perspective view, as seen from above, of a first embodiment of the slap-on type earphone storage case;

FIG. 2 is a perspective view, as seen from below, of the slap-on type earphone storage case of FIG. 1;

FIG. 3 is a top elevation of the slap-on type earphone storage case of FIG. 1;

FIG. 4 is a bottom elevation of the slap-on type earphone storage case of FIG. 1;

FIG. 5 is a front elevation of the slap-on type earphone storage case of FIG. 1;

FIG. 6 is a back elevation of the slap-on type earphone storage case of FIG. 1;

FIG. 7 is a left side elevation of the slap-on type earphone storage case of FIG. 1;

FIG. 8 is a right side elevation of the slap-on type earphone storage case of FIG. 1;

FIG. 9 is a perspective view, as seen from above, of the slap-on type earphone storage case of FIG. 1 in use on a mobile phone;

FIG. 10 is a perspective view, as seen from above, of a second embodiment of the slap-on type earphone storage case;

FIG. 11 is a perspective view, as seen from below, of the slap-on type earphone storage case of FIG. 10;

FIG. 12 is a top elevation of the slap-on type earphone storage case of FIG. 10;

FIG. 13 is a bottom elevation of the slap-on type earphone storage case of FIG. 10;

FIG. 14 is a front elevation of the slap-on type earphone storage case of FIG. 10;

FIG. 15 is a back elevation of the slap-on type earphone storage case of FIG. 10;

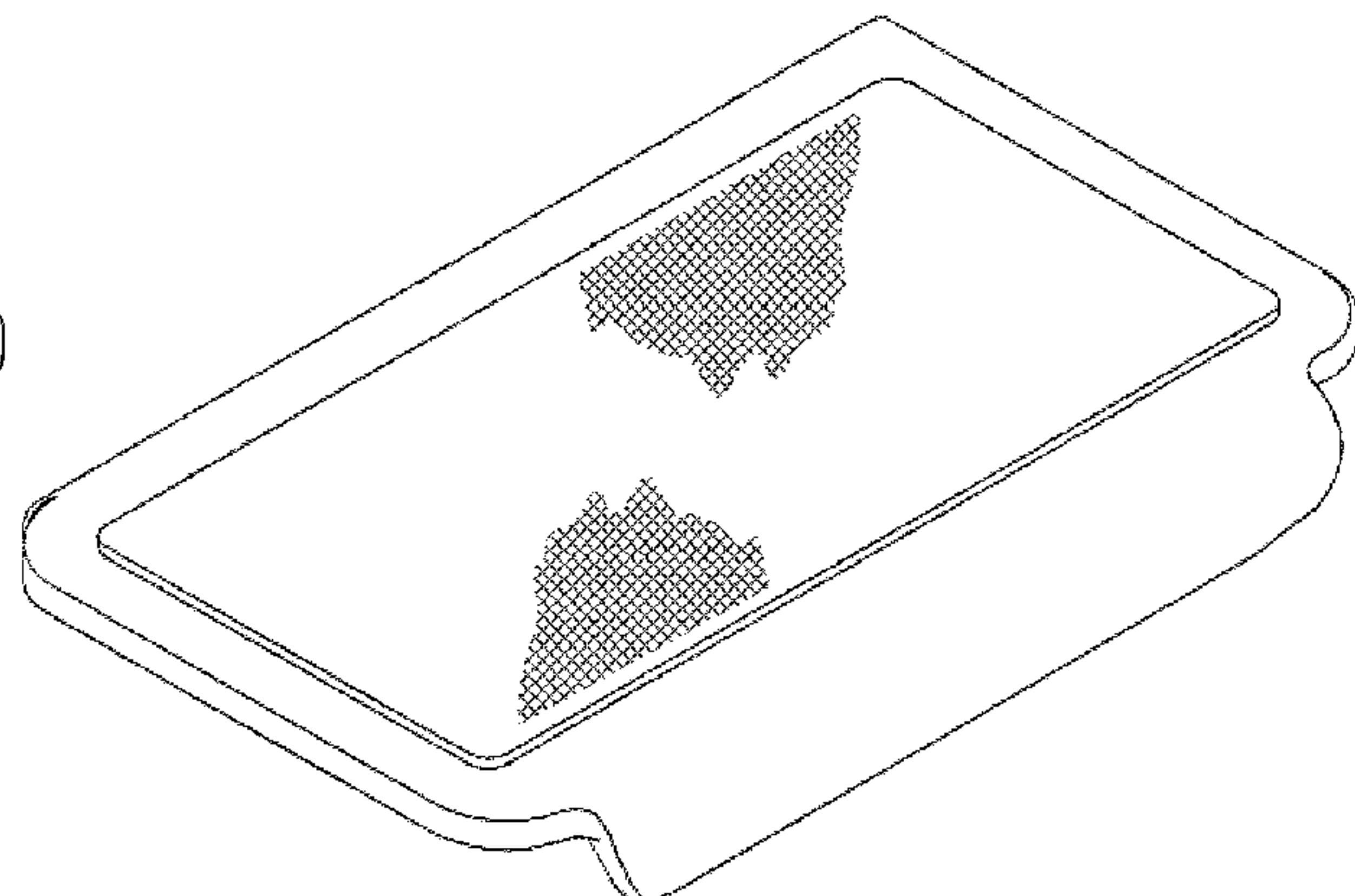
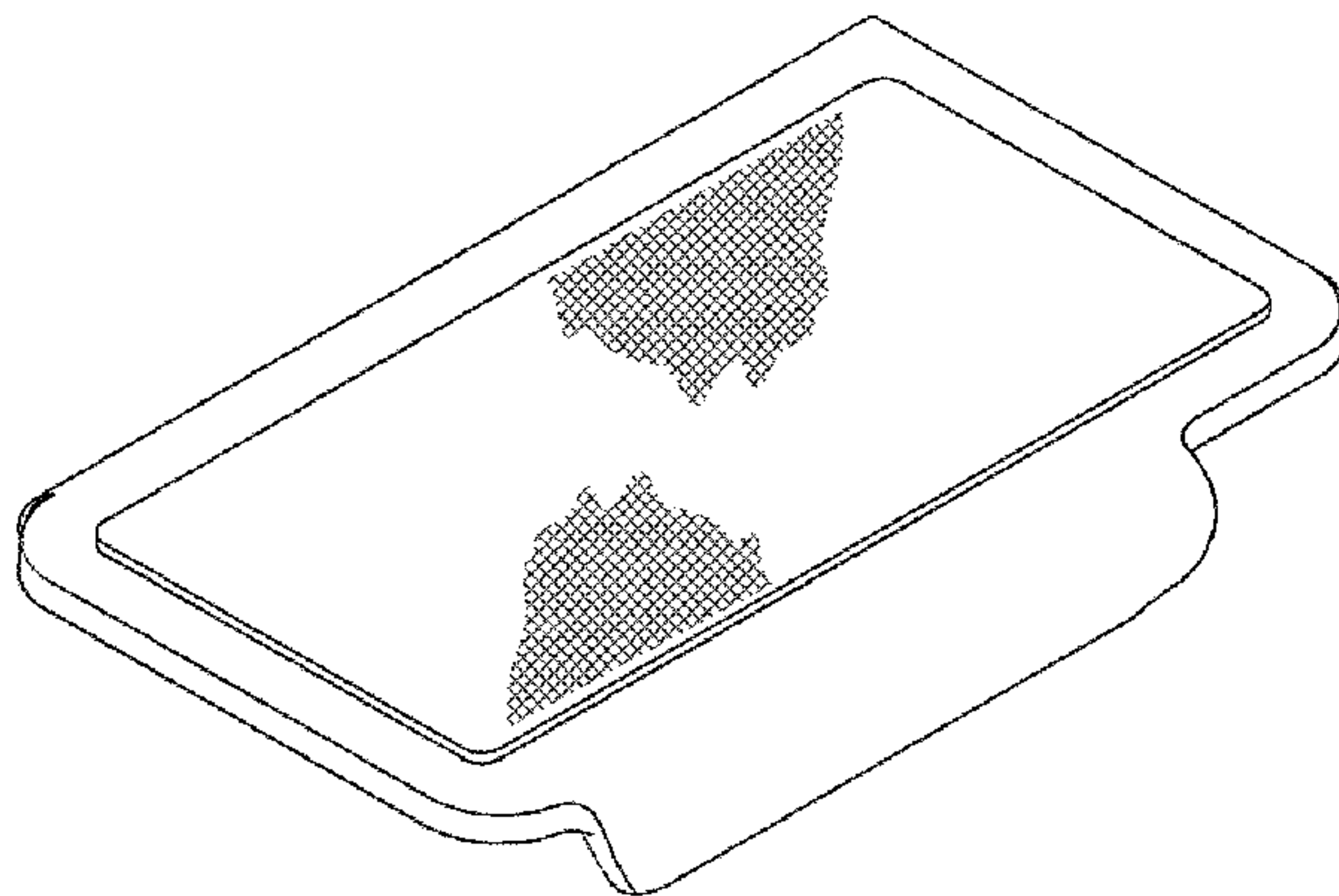
FIG. 16 is a left side elevation of the slap-on type earphone storage case of FIG. 10, an opposing elevation of the slap-on type earphone storage case being a mirror image thereof; and,

FIG. 17 is a perspective view, as seen from above, of the slap-on type earphone storage case of FIG. 10 in use on a mobile phone.

The broken lines shown in FIGS. 9 and 17 are included for the purpose of illustrating the claimed design in use on a phone.

The broken lines showing the phone forms no part of the claimed design.

1 Claim, 12 Drawing Sheets



(56)

References Cited

U.S. PATENT DOCUMENTS

D565,290 S * 4/2008 Brandenburg et al. D3/218
D576,785 S 9/2008 TerMeer
D626,129 S * 10/2010 Lutz D14/447
D634,115 S 3/2011 Long et al.
D635,555 S * 4/2011 Giles D14/217

D641,974 S * 7/2011 Stampfli D3/218
D644,428 S * 9/2011 Feng D3/218
8,016,107 B2 * 9/2011 Emsky 206/320
D657,137 S * 4/2012 Weller et al. D3/218
D661,482 S * 6/2012 Chang et al. D3/218
D683,955 S * 6/2013 Melanson et al. D3/218
D688,234 S * 8/2013 Esses D14/250
2010/0096284 A1 4/2010 Bau

* cited by examiner

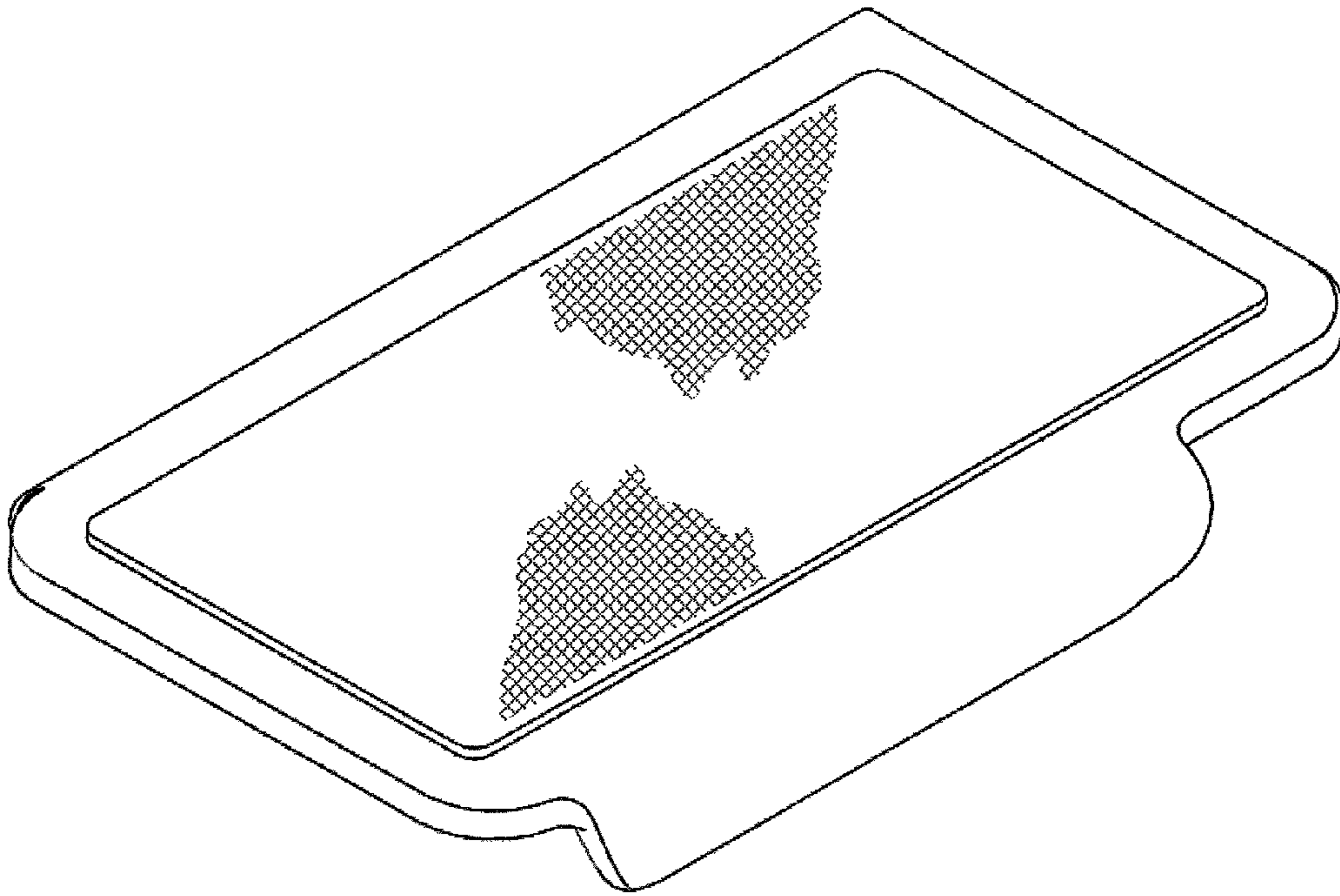


FIG. 1

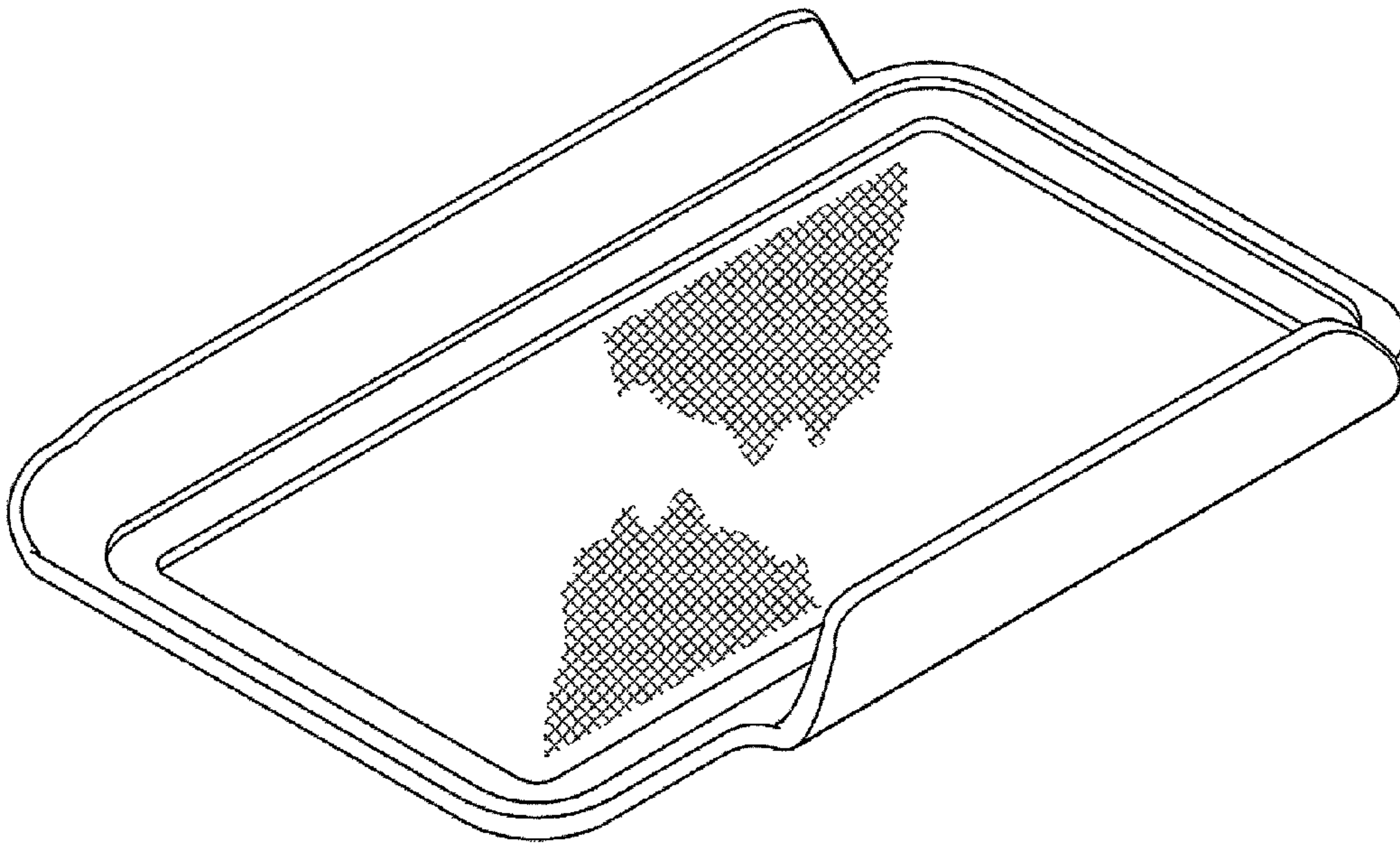


FIG. 2

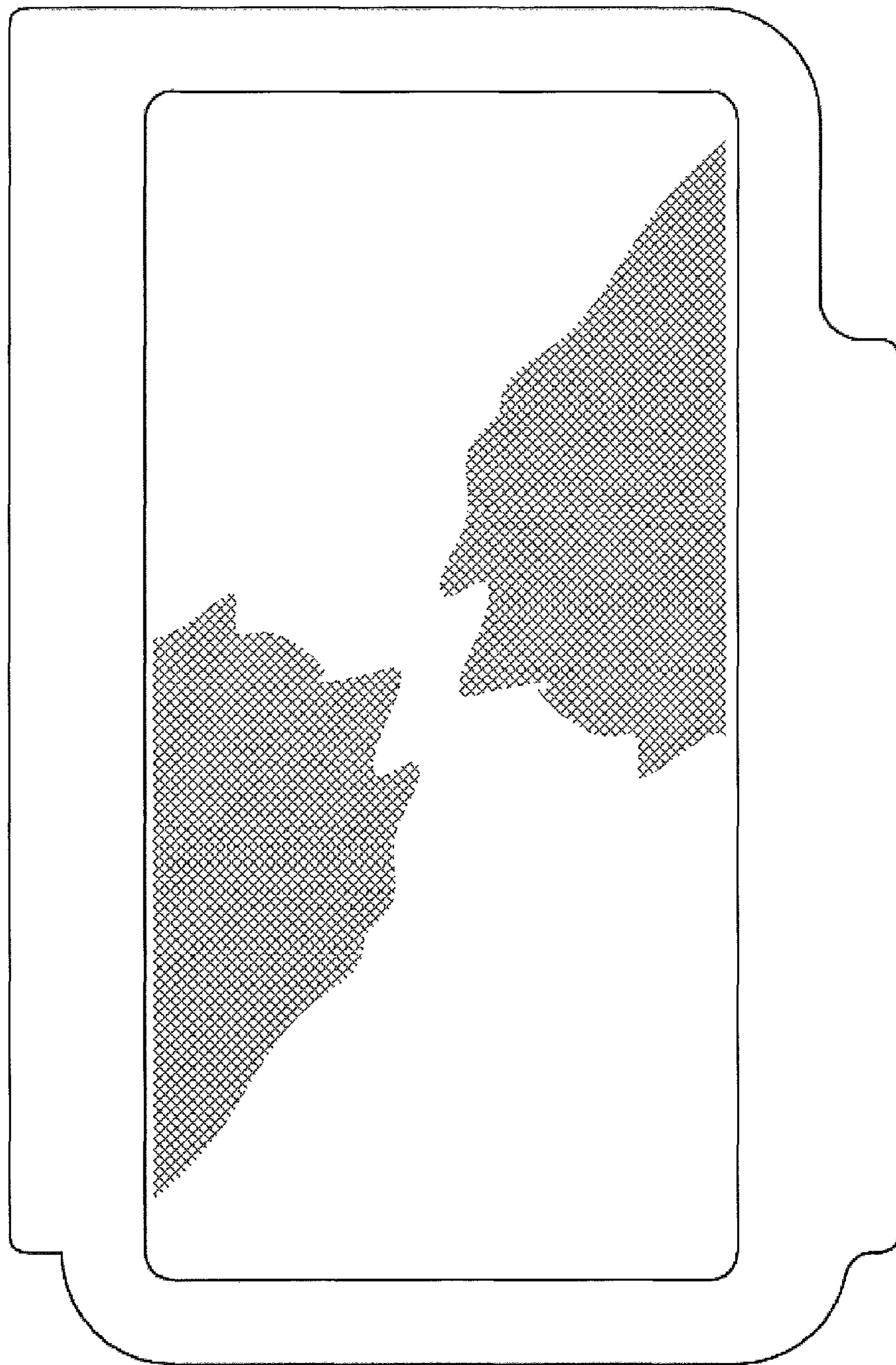


FIG. 3

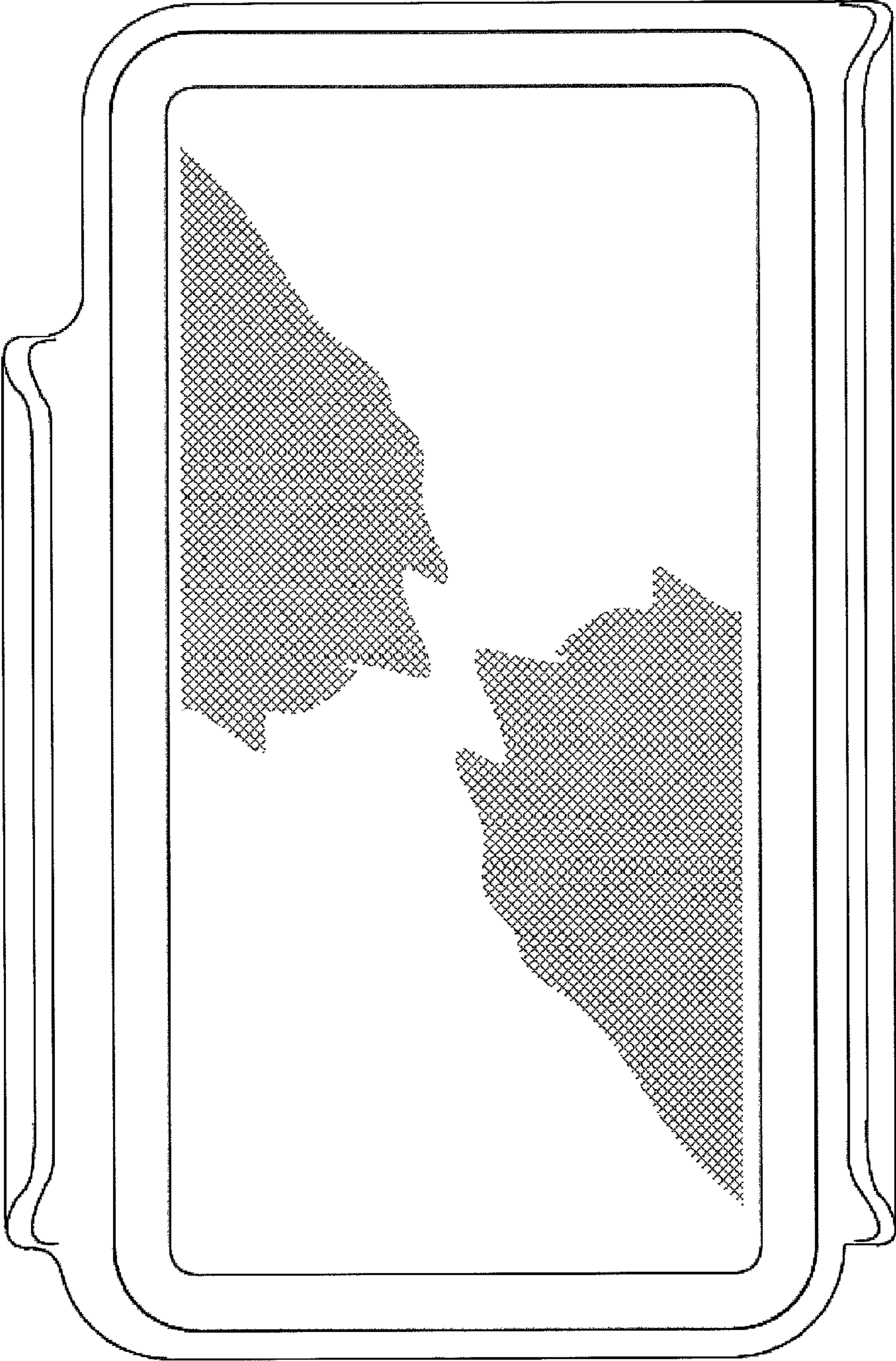


FIG. 4

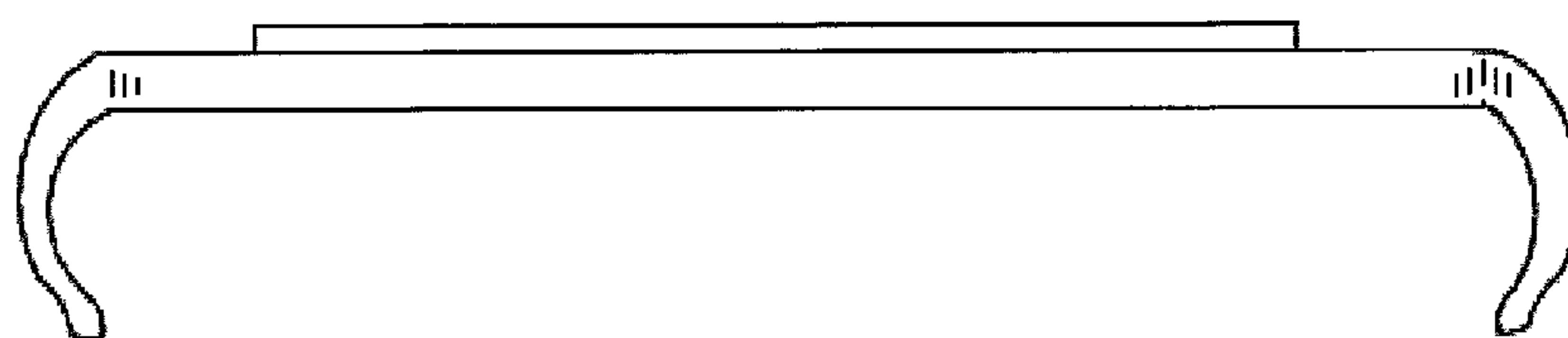


FIG. 5

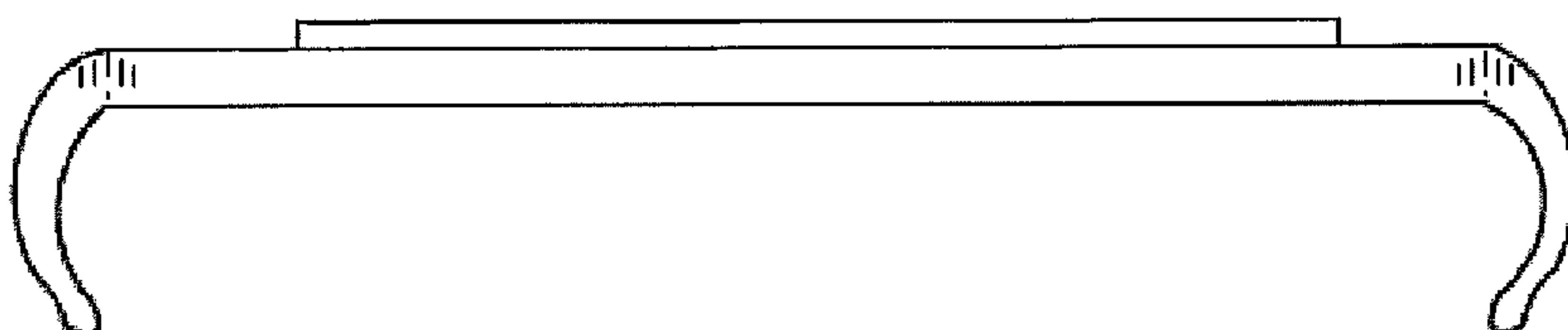


FIG. 6

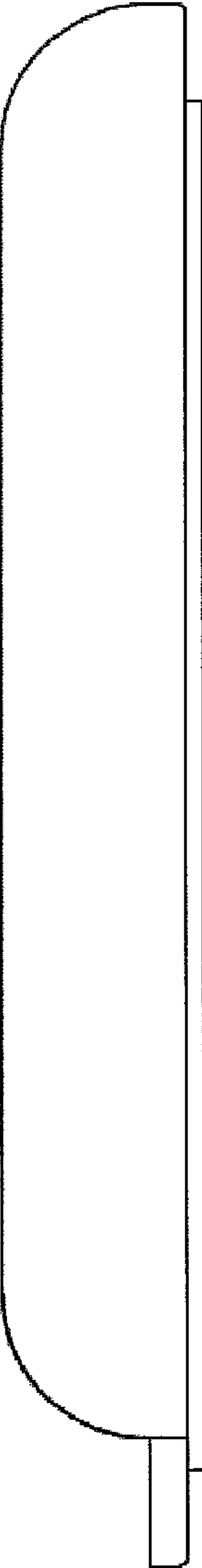


FIG. 7

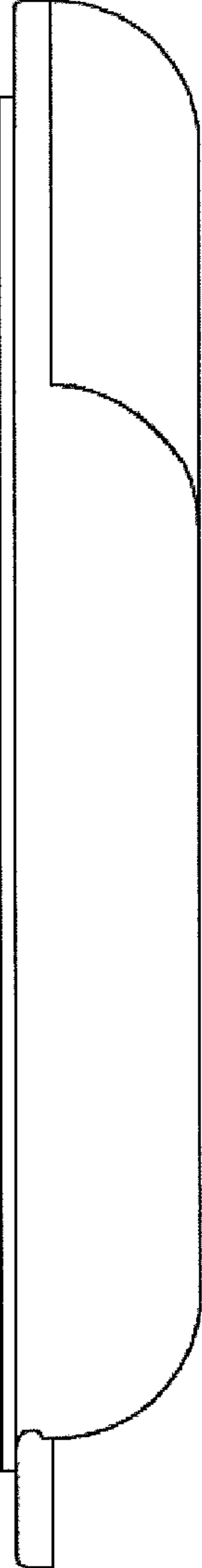


FIG. 8

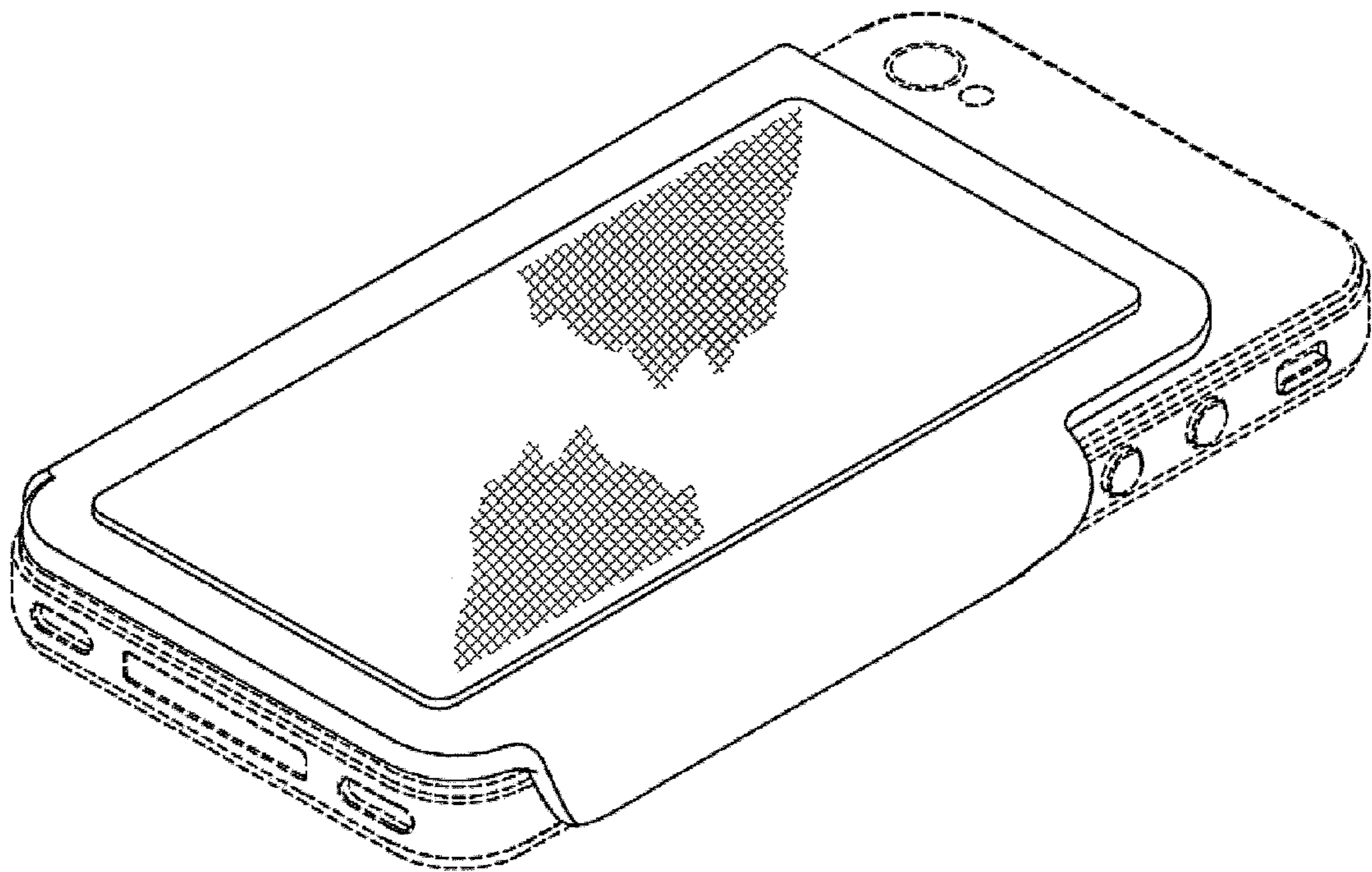


FIG. 9

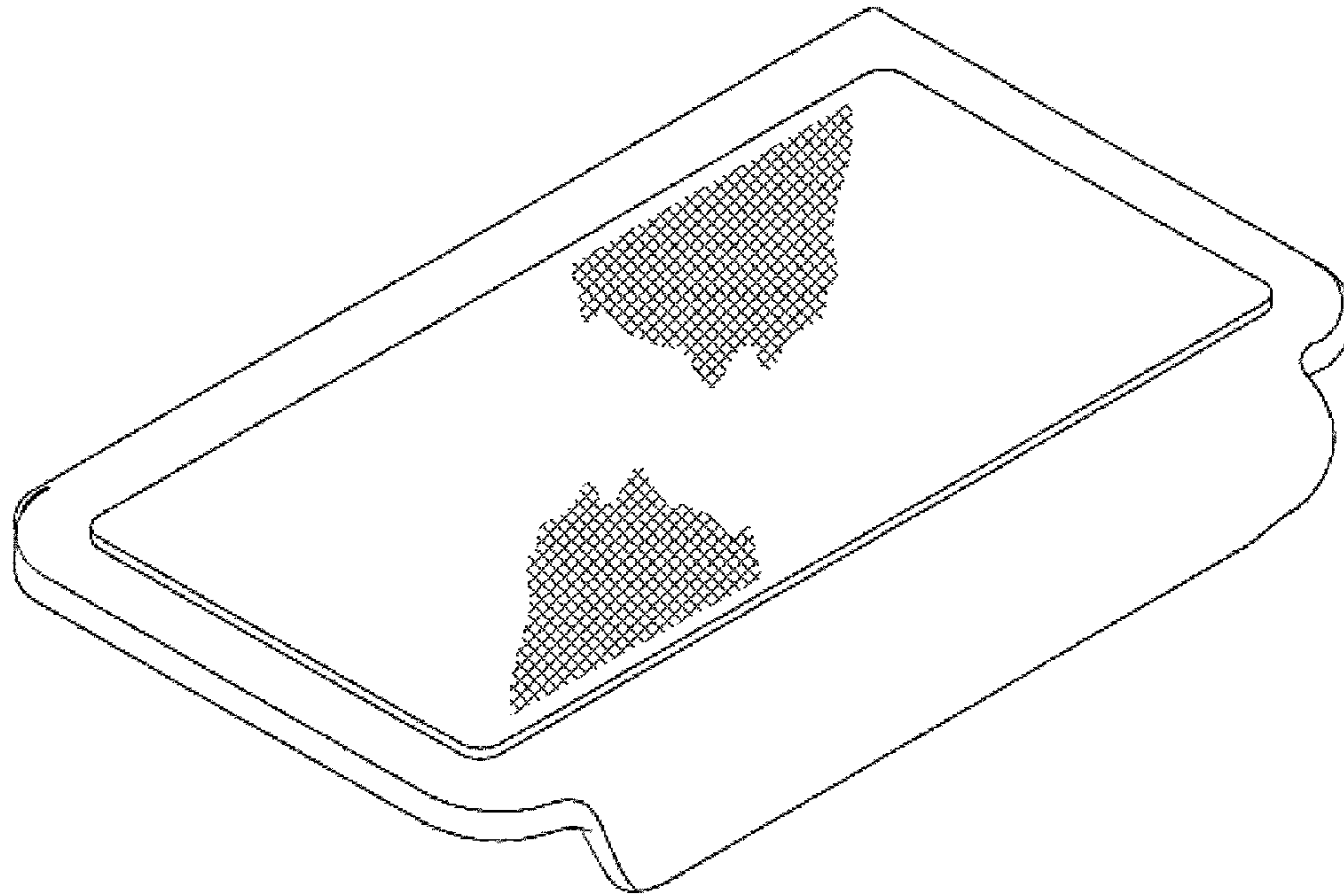


FIG. 10

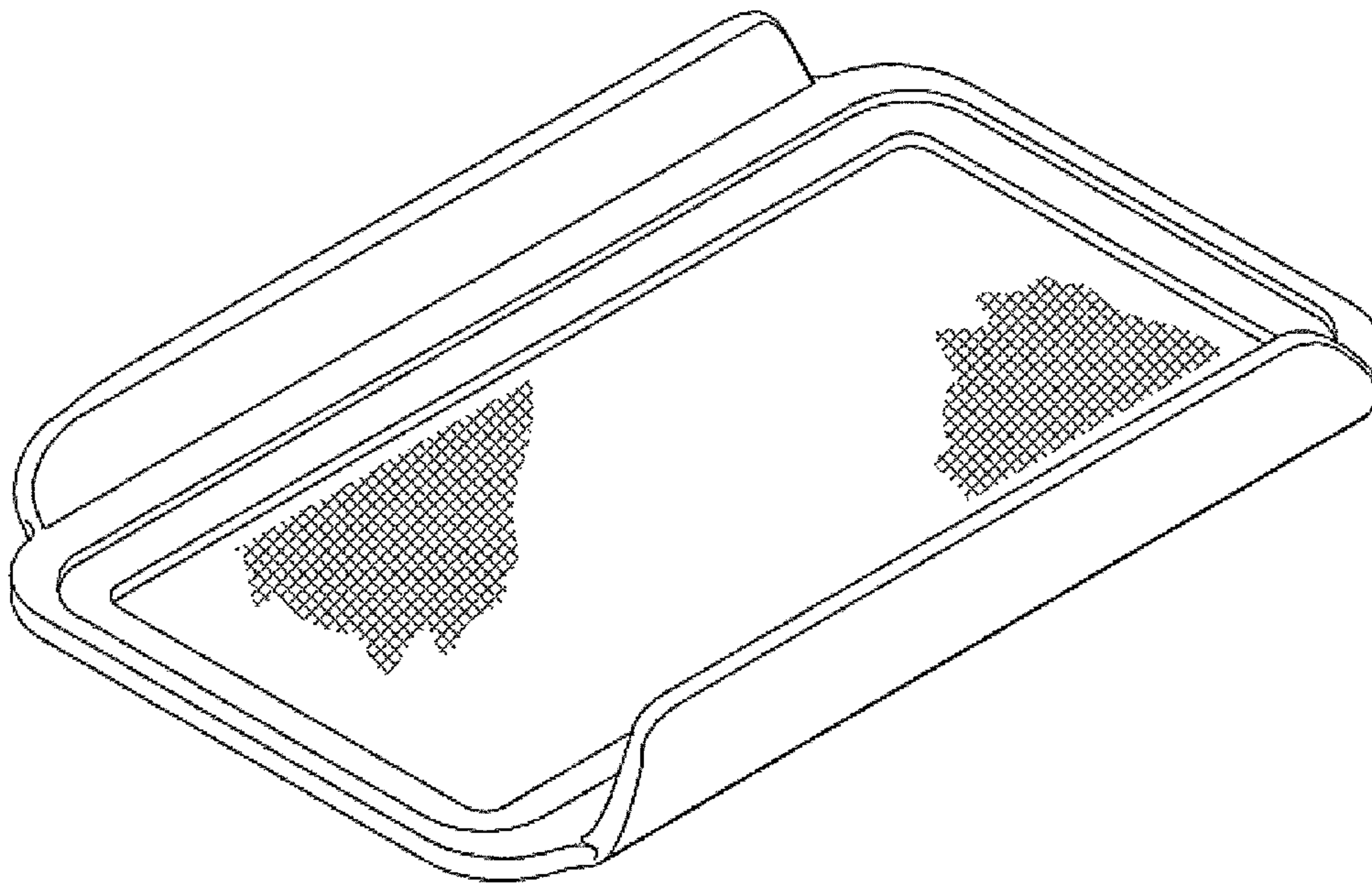


FIG. 11

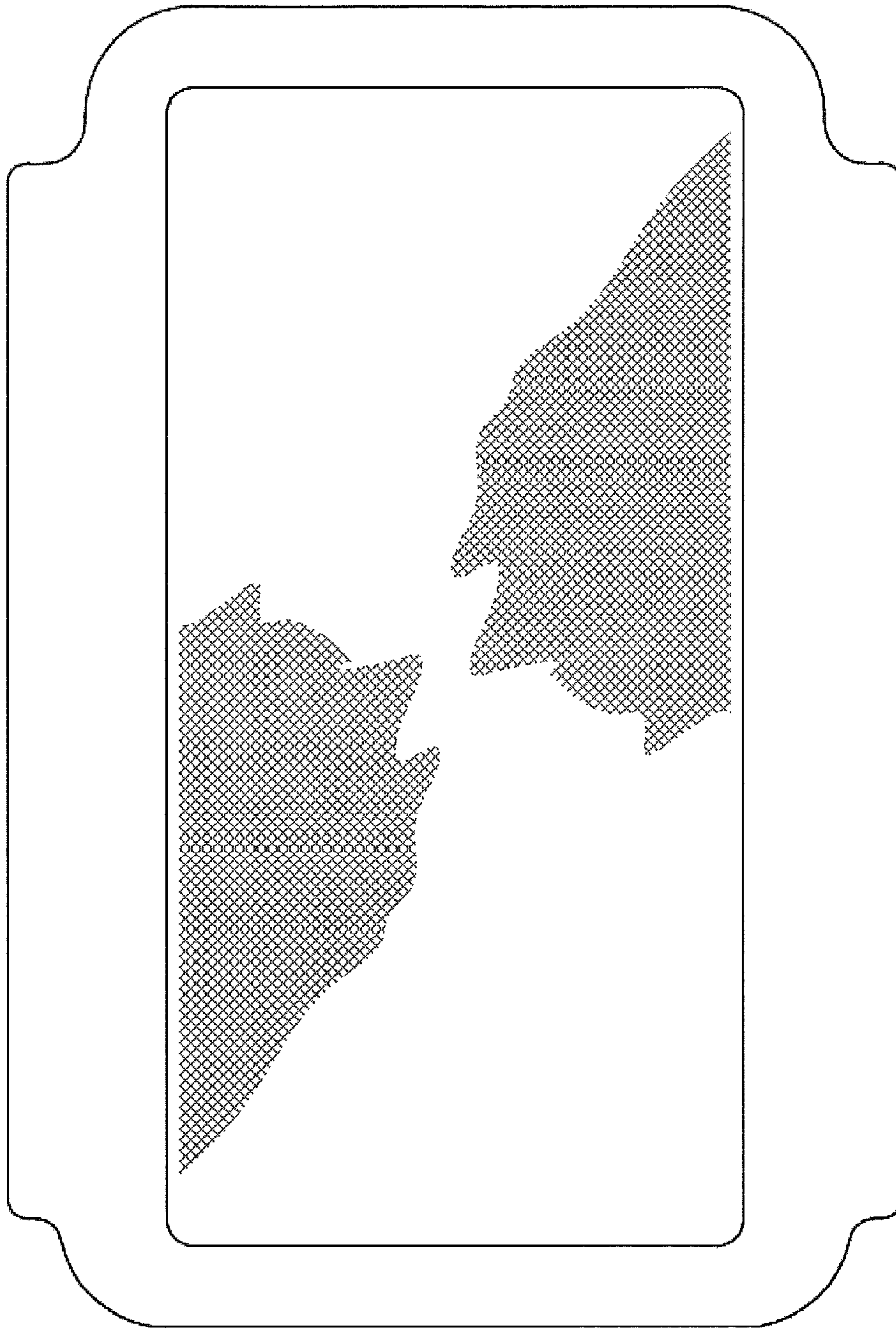


FIG. 12

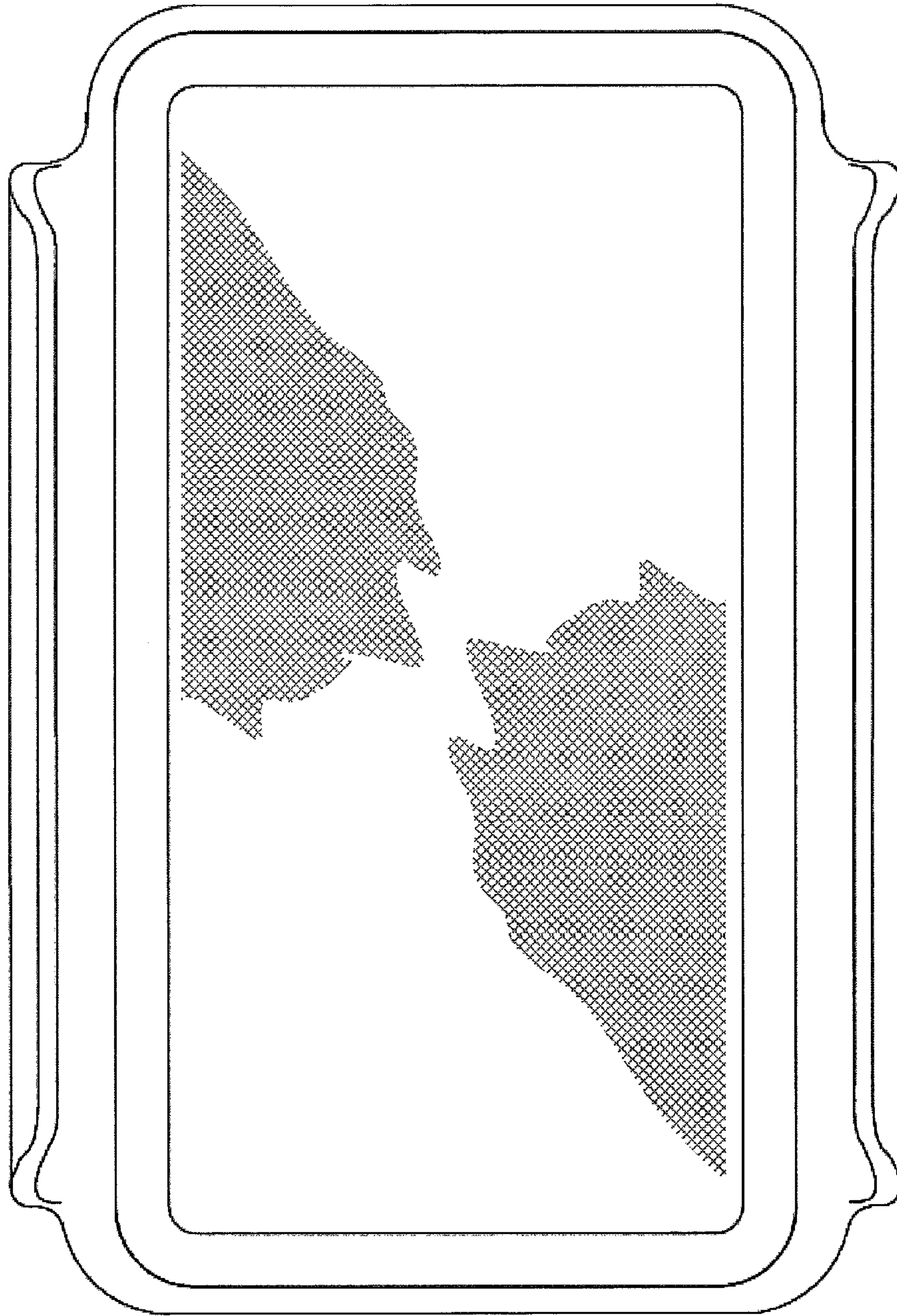


FIG. 13

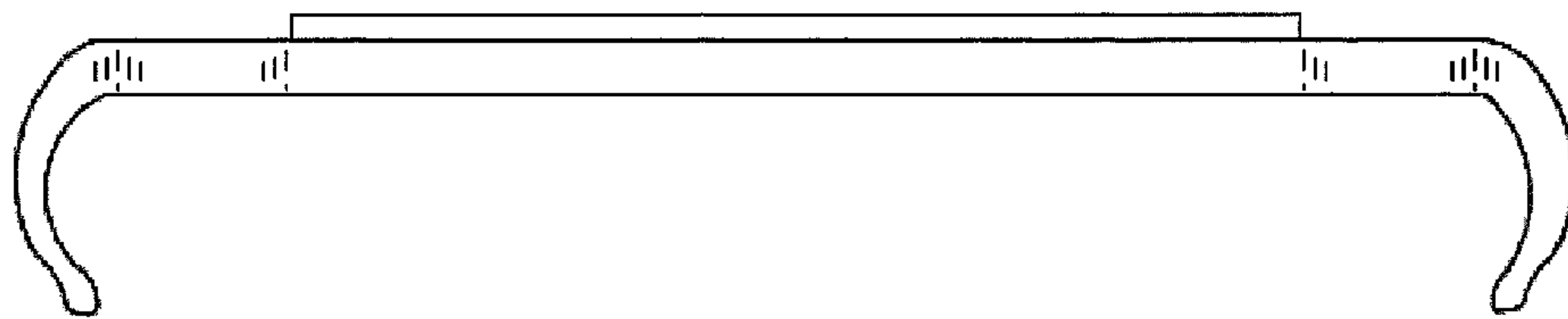


FIG. 14

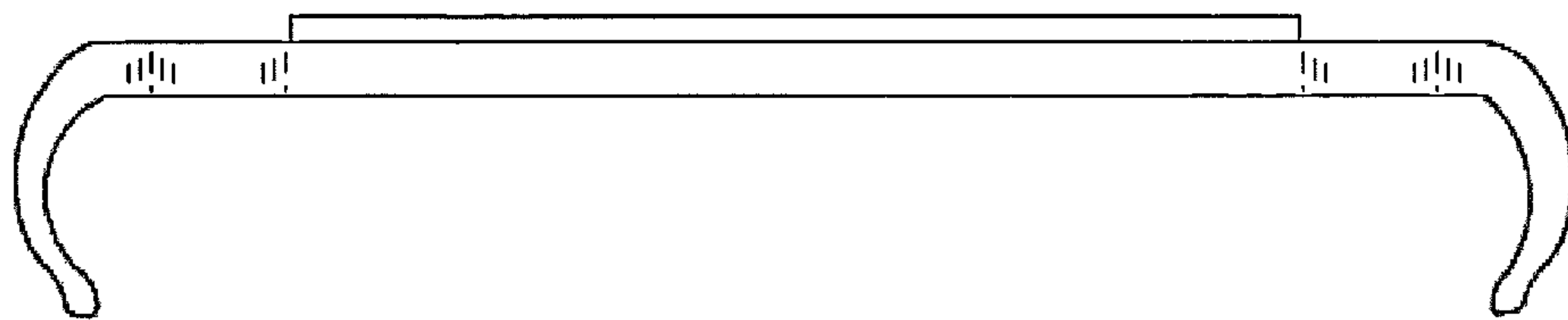


FIG. 15

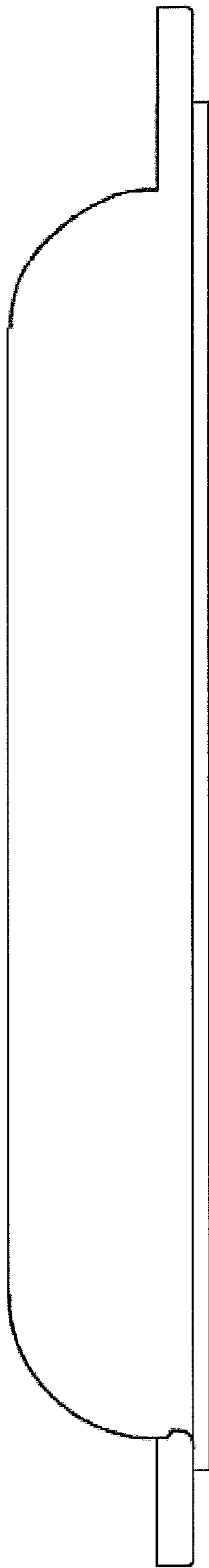


FIG. 16

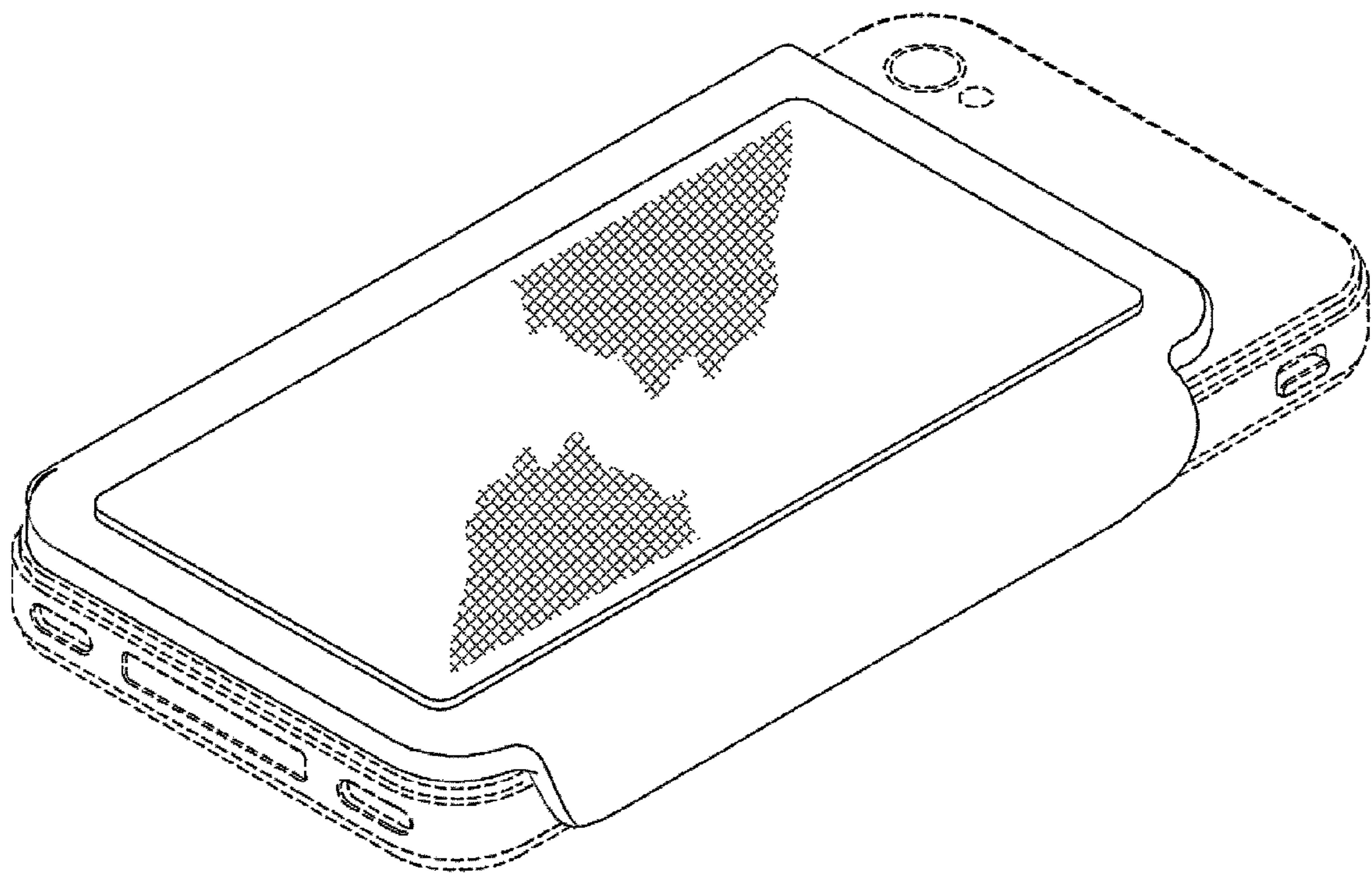


FIG. 17