



US00D704175S

(12) **United States Design Patent**  
**Arvidsson**

(10) **Patent No.:** **US D704,175 S**  
(45) **Date of Patent:** **\*\* May 6, 2014**

(54) **WIRELESS COMMUNICATION INTERFACE**

(75) Inventor: **Niclas Arvidsson**, Uddevalla (SE)

(73) Assignee: **Interlite AB**, Uddevalla (SE)

(\*\*) Term: **14 Years**

(21) Appl. No.: **29/430,927**

(22) Filed: **Aug. 31, 2012**

(30) **Foreign Application Priority Data**

Mar. 2, 2012 (EM) ..... 001316350-0001/0003

(51) **LOC (10) Cl.** ..... **14-03**

(52) **U.S. Cl.**  
USPC ..... **D14/240**

(58) **Field of Classification Search**  
USPC ..... D14/242, 240, 357, 358, 140-140.9,  
D14/155, 137, 139, 243, 348, 349, 351, 354,  
D14/355; 375/222; 455/557; 725/111  
See application file for complete search history.

(56) **References Cited**

**U.S. PATENT DOCUMENTS**

D354,280 S *	1/1995	Fenton	.....	D14/242
D374,675 S *	10/1996	Sakai et al.	.....	D14/242
D402,637 S *	12/1998	Carpenter, Jr.	.....	D13/178
D409,203 S *	5/1999	Morimiya	.....	D14/242
D465,495 S *	11/2002	Goto	.....	D14/433
D486,482 S *	2/2004	Huang	.....	D14/242

D500,756 S *	1/2005	Liang	.....	D14/242
6,931,659 B1 *	8/2005	Kinemura	.....	725/111
D530,317 S *	10/2006	Johnson et al.	.....	D14/242
D537,807 S *	3/2007	Griffin et al.	.....	D14/155
D580,437 S *	11/2008	Kiyomiya et al.	.....	D14/358
D638,827 S *	5/2011	Daniel	.....	D14/240

\* cited by examiner

*Primary Examiner* — Bridget L Eland

(74) *Attorney, Agent, or Firm* — Harness, Dickey & Pierce, P.L.C.

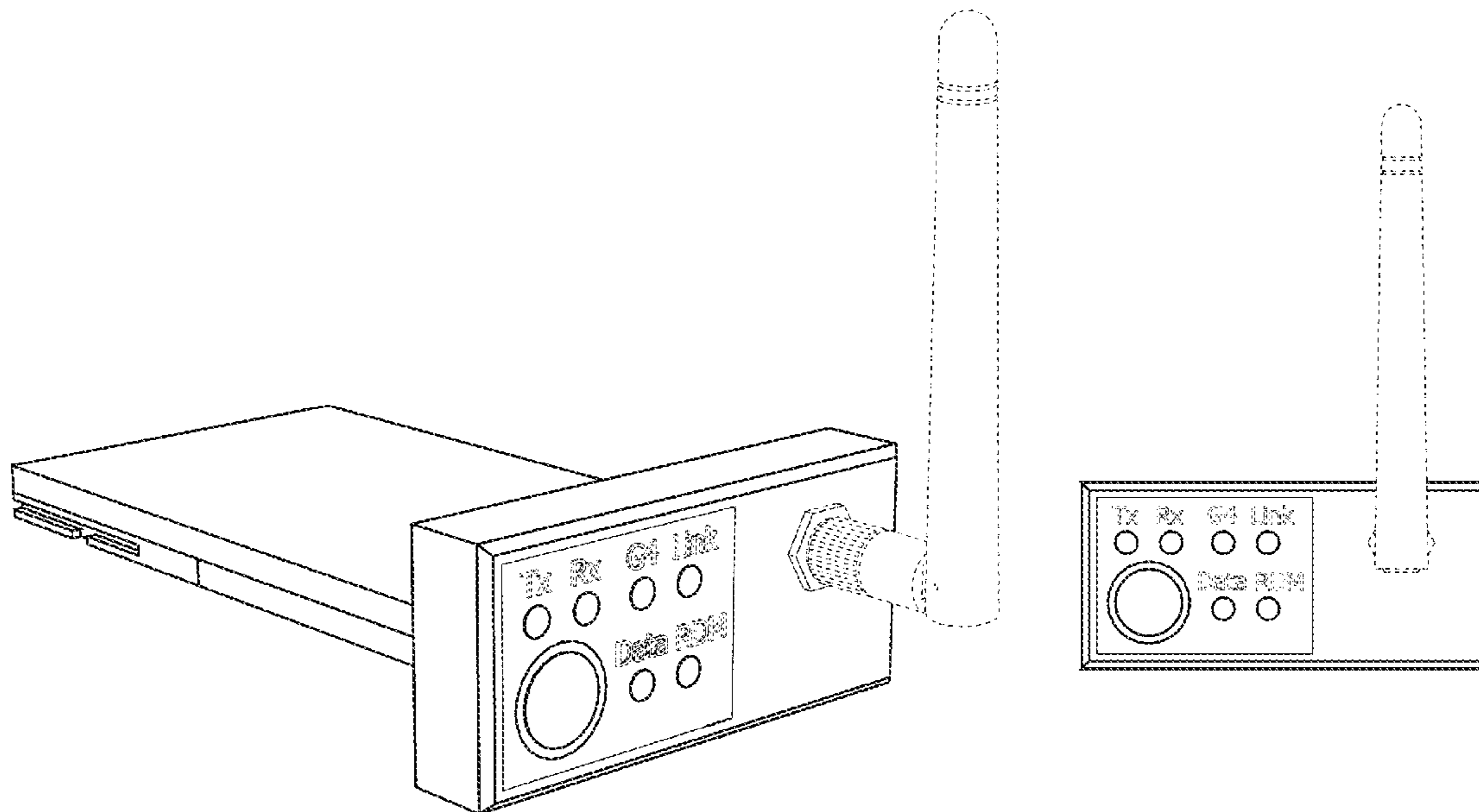
(57) **CLAIM**

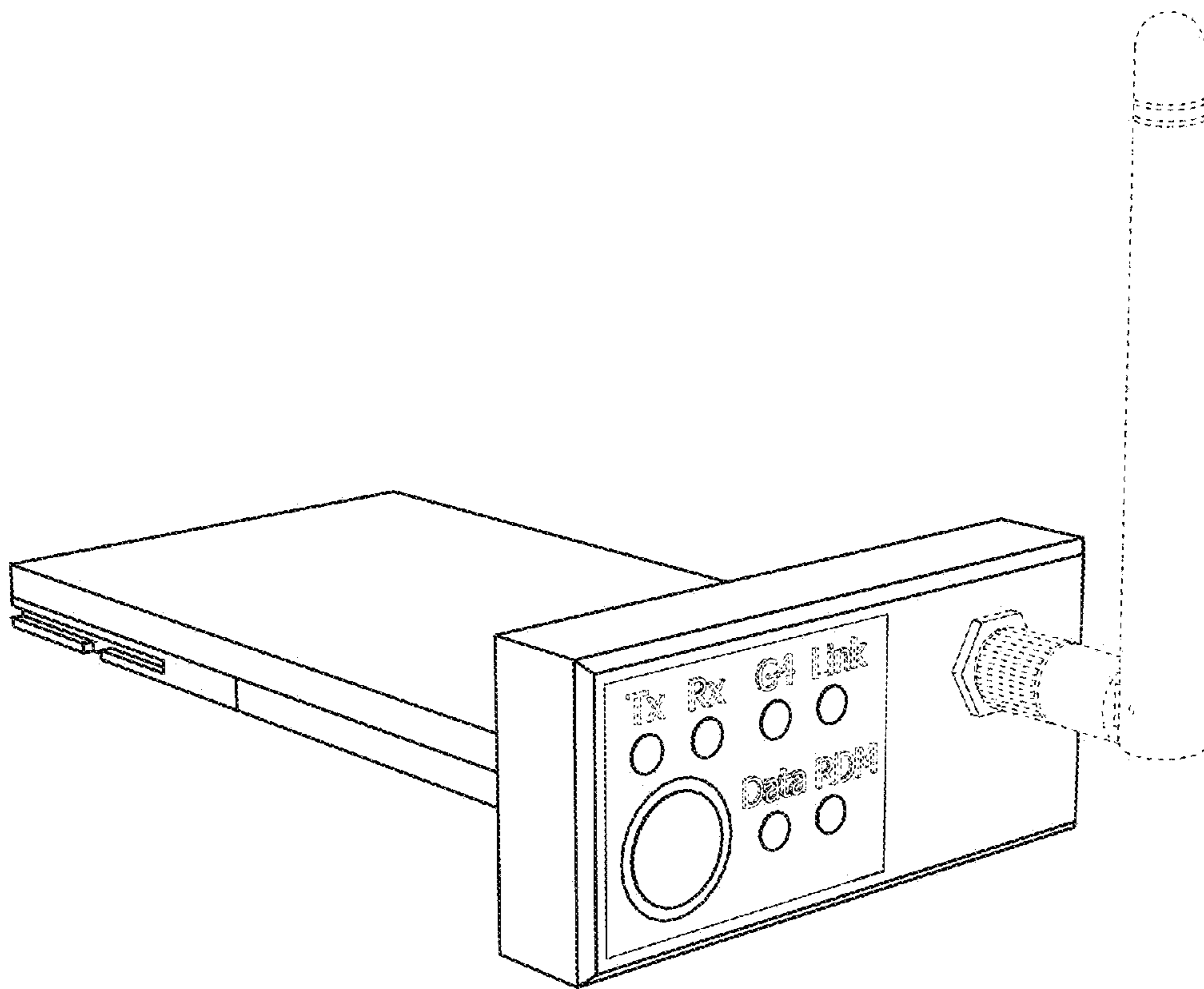
The ornamental design for a wireless communication interface, as shown and described.

**DESCRIPTION**

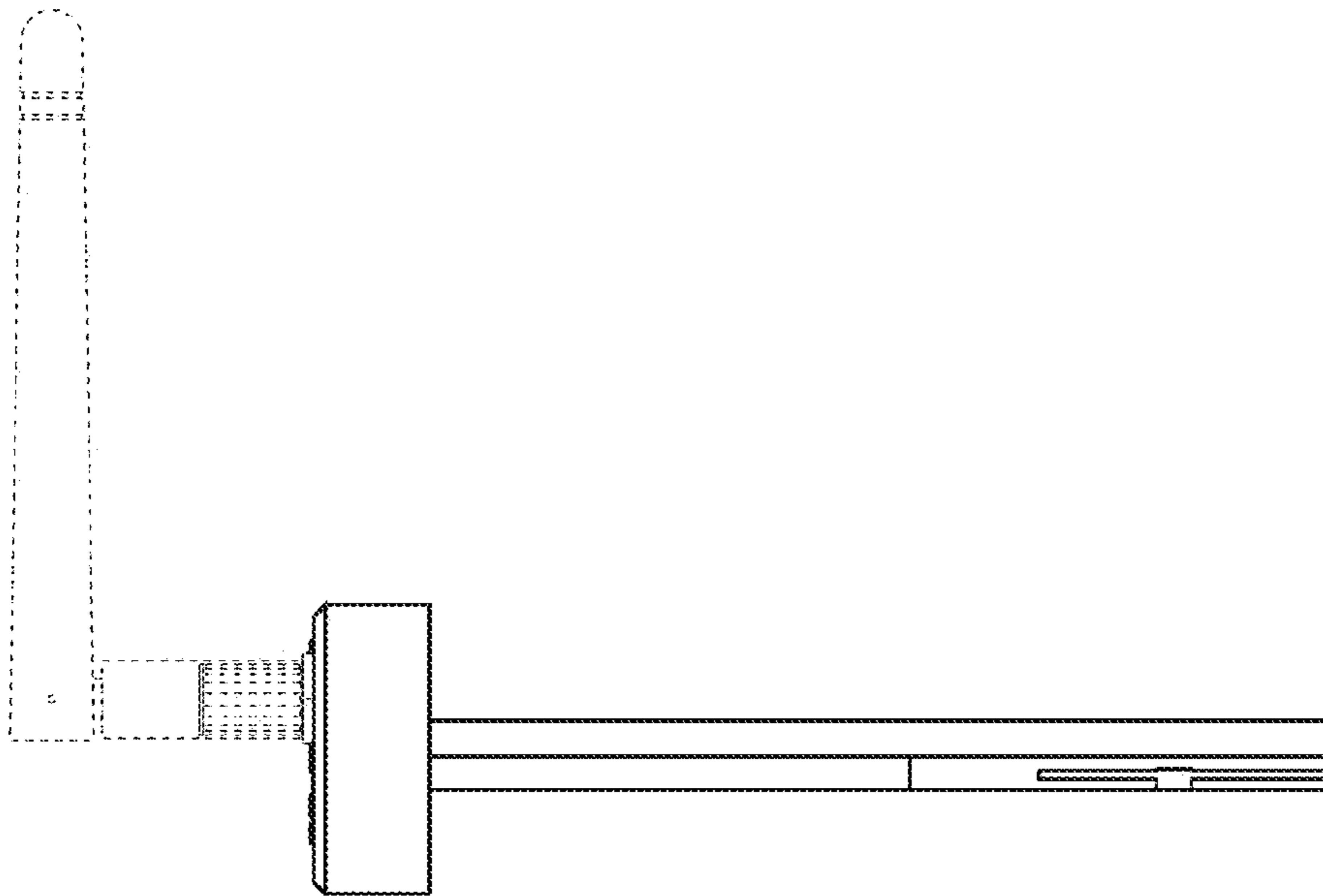
FIG. 1 is a perspective view of a wireless communication interface showing my new design;  
FIG. 2 is a left side elevational view thereof;  
FIG. 3 is a bottom plan view thereof;  
FIG. 4 is a top plan view thereof;  
FIG. 5 is a right side elevational view thereof;  
FIG. 6 is a front elevation view thereof; and,  
FIG. 7 is a rear elevational view thereof.  
The broken lines which define the bounds of the claimed design form no part thereof.

**1 Claim, 4 Drawing Sheets**

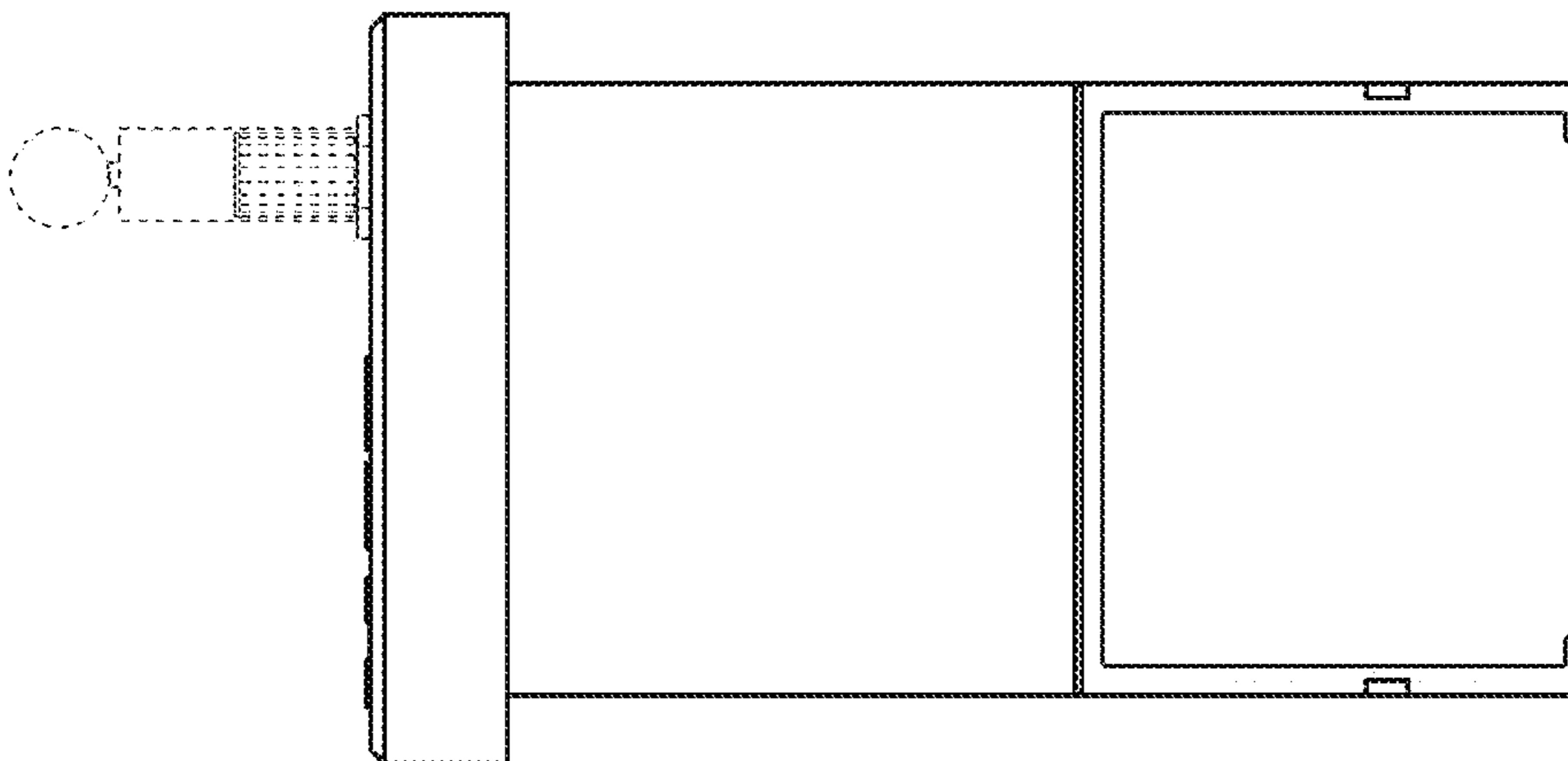




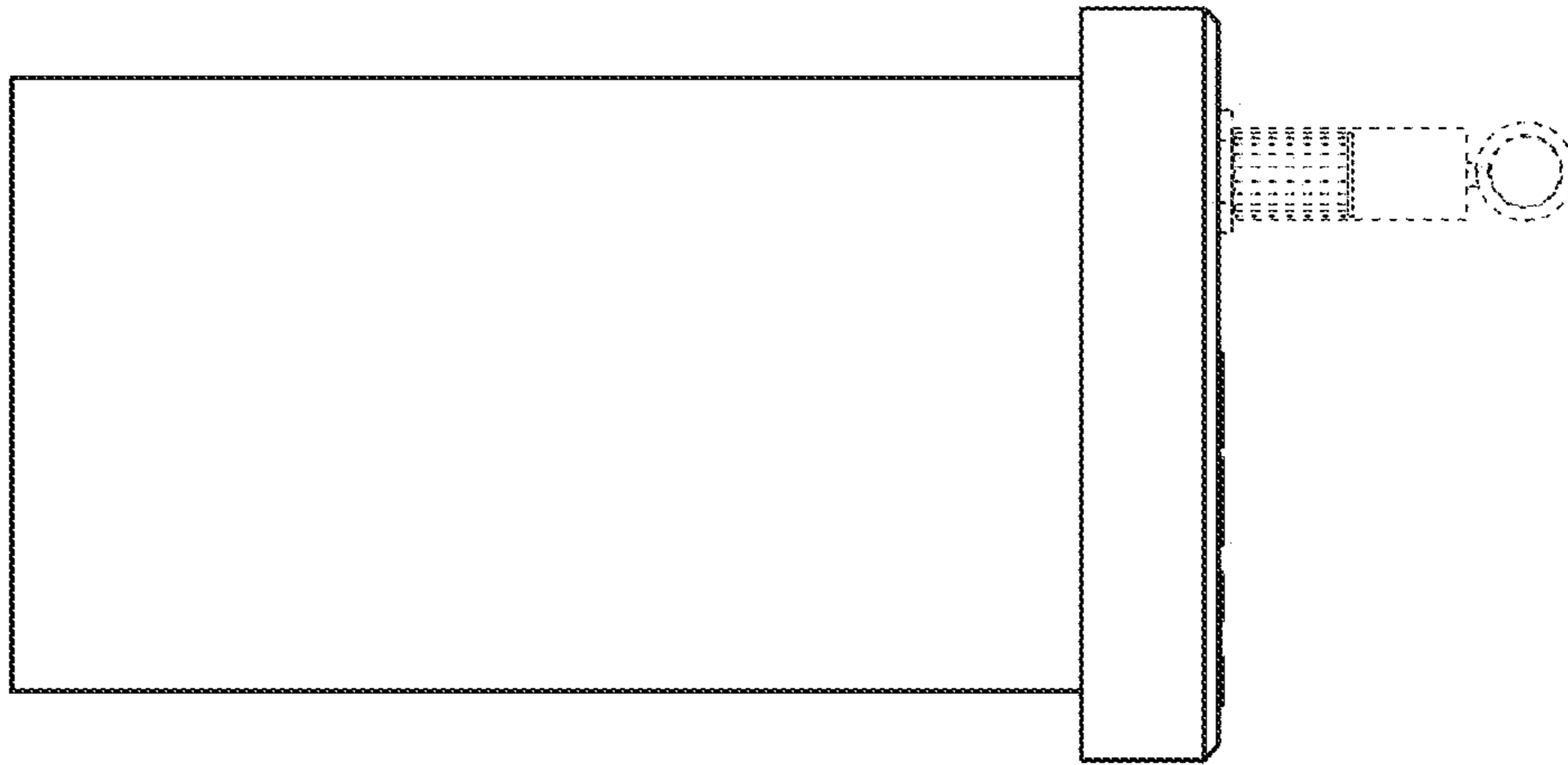
**Fig. 1**



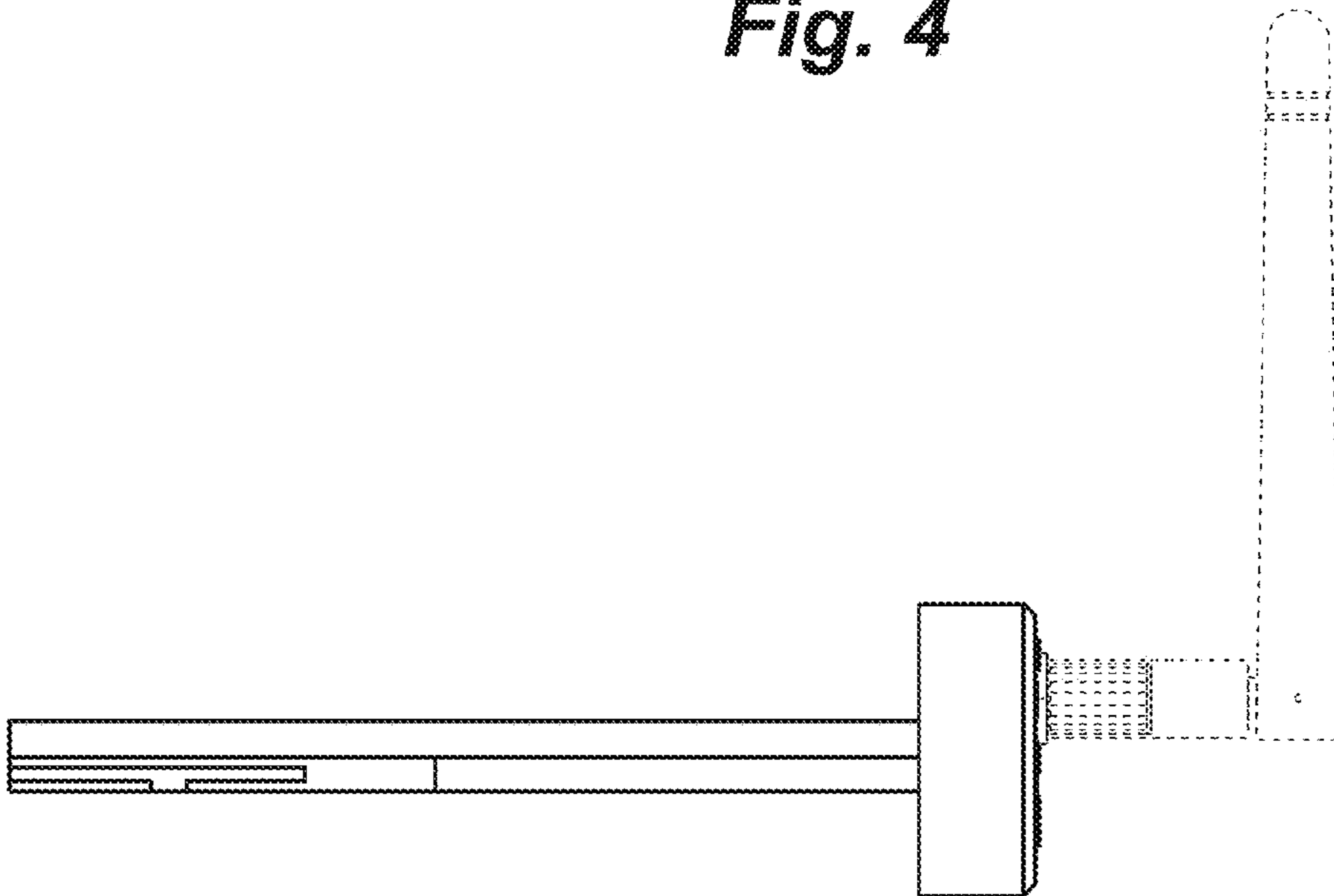
*Fig. 2*



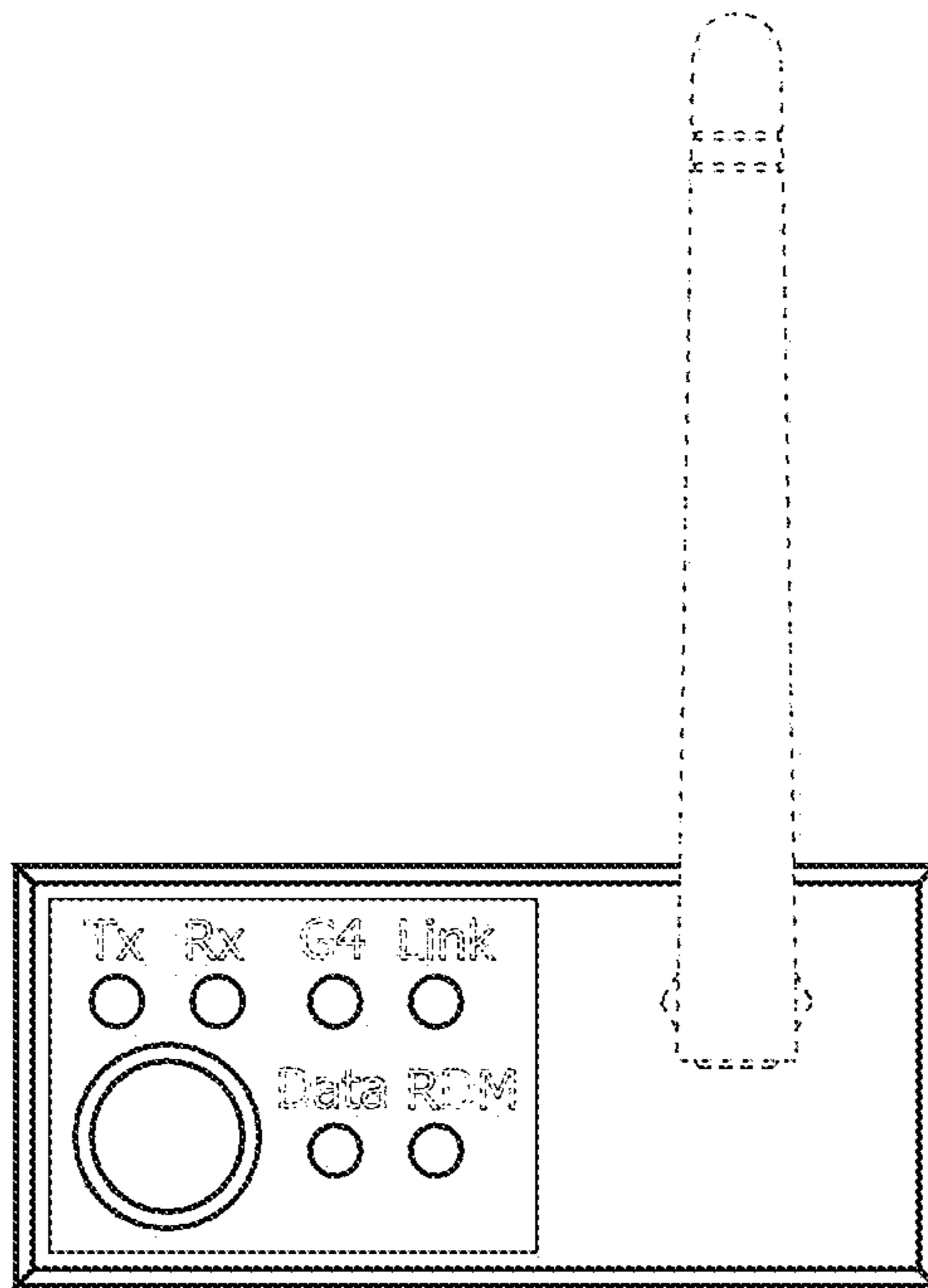
*Fig. 3*



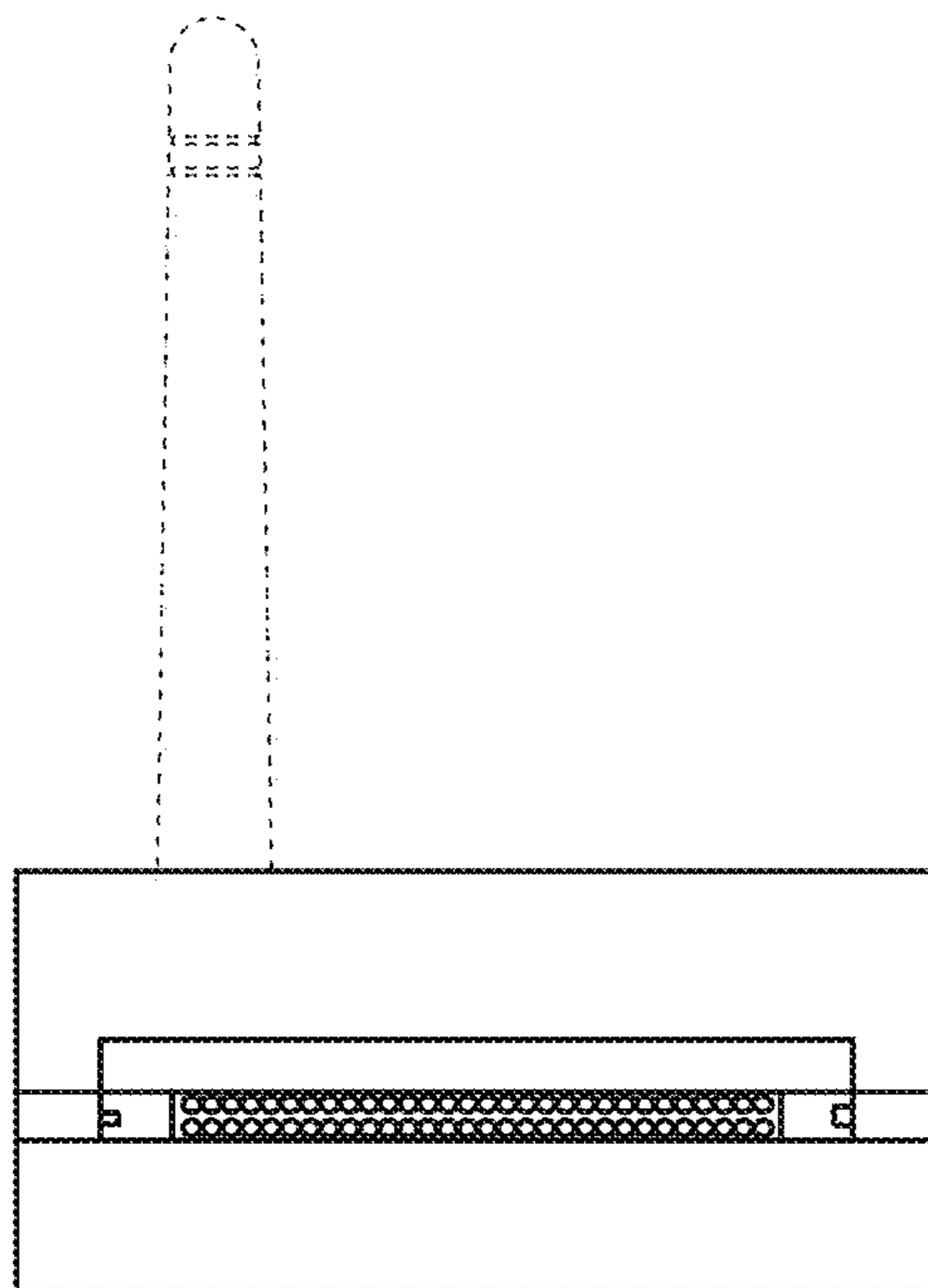
*Fig. 4*



*Fig. 5*



**Fig. 6**



**Fig. 7**