



US00D704174S

(12) **United States Design Patent**  
**Negus et al.**

(10) **Patent No.:** **US D704,174 S**  
(45) **Date of Patent:** **\*\* May 6, 2014**

(54) **INTELLIGENT BACKHAUL RADIO WITH SYMMETRIC WING RADOME**

(75) Inventors: **Kevin J. Negus**, Hyattville, WY (US);  
**David Andrew G. Lea**, Vancouver (CA);  
**Luca Nicoli**, San Jose, CA (US)

(73) Assignee: **CBF Networks, Inc.**, San Jose, CA (US)

(\*\*) Term: **14 Years**

(21) Appl. No.: **29/429,634**

(22) Filed: **Aug. 14, 2012**

(51) **LOC (10) Cl.** ..... **14-03**

(52) **U.S. Cl.**  
USPC ..... **D14/240**

(58) **Field of Classification Search**  
USPC ..... D14/240, 242, 230, 357, 358,  
D14/140-140.9, 155, 137, 147, 218,  
D14/341-347, 348, 349, 351, 354; 375/222;  
455/557; 725/111

See application file for complete search history.

(56) **References Cited**

**U.S. PATENT DOCUMENTS**

D307,274	S *	4/1990	Sasaki et al.	D14/243
D335,128	S *	4/1993	Soren	D14/137
D349,897	S *	8/1994	Soren et al.	D14/137
D373,771	S *	9/1996	Messelhi	D14/240
5,579,367	A	11/1996	Raymond et al.	
D376,367	S	12/1996	Mailandt	
D376,600	S *	12/1996	Vallillee et al.	D14/240
5,604,744	A	2/1997	Andersson et al.	
5,809,422	A	9/1998	Raleigh et al.	
D401,592	S	11/1998	Nishimura et al.	
6,253,060	B1	6/2001	Komara et al.	
D455,420	S *	4/2002	Arpe	D14/240
6,463,303	B1	10/2002	Zhao	
6,486,828	B1	11/2002	Cahn et al.	
6,912,195	B2	6/2005	Vook et al.	
D507,263	S *	7/2005	Narita	D14/240

6,985,123	B2	1/2006	Gottl	
7,027,837	B1	4/2006	Uhlik et al.	
7,171,223	B2	1/2007	Herscovich et al.	
7,221,722	B2	5/2007	Thomas et al.	
7,260,141	B2	8/2007	Bierly et al.	
7,292,663	B1	11/2007	Van Wechel et al.	
D565,534	S *	4/2008	Ingalsbe et al.	D14/155
7,394,439	B1	7/2008	Johnson et al.	

(Continued)

**FOREIGN PATENT DOCUMENTS**

WO	2013025413	A1	2/2013
WO	2013055947	A1	4/2013

**OTHER PUBLICATIONS**

“WiMAX/BWA/WiBRO/LTE RF MxFE 2x2 MIMO Transceiver, AD9356,” Data Sheet, Analog Devices, 2010.

(Continued)

*Primary Examiner* — Bridget L Eland

(74) *Attorney, Agent, or Firm* — Nixon Peabody LLP

(57) **CLAIM**

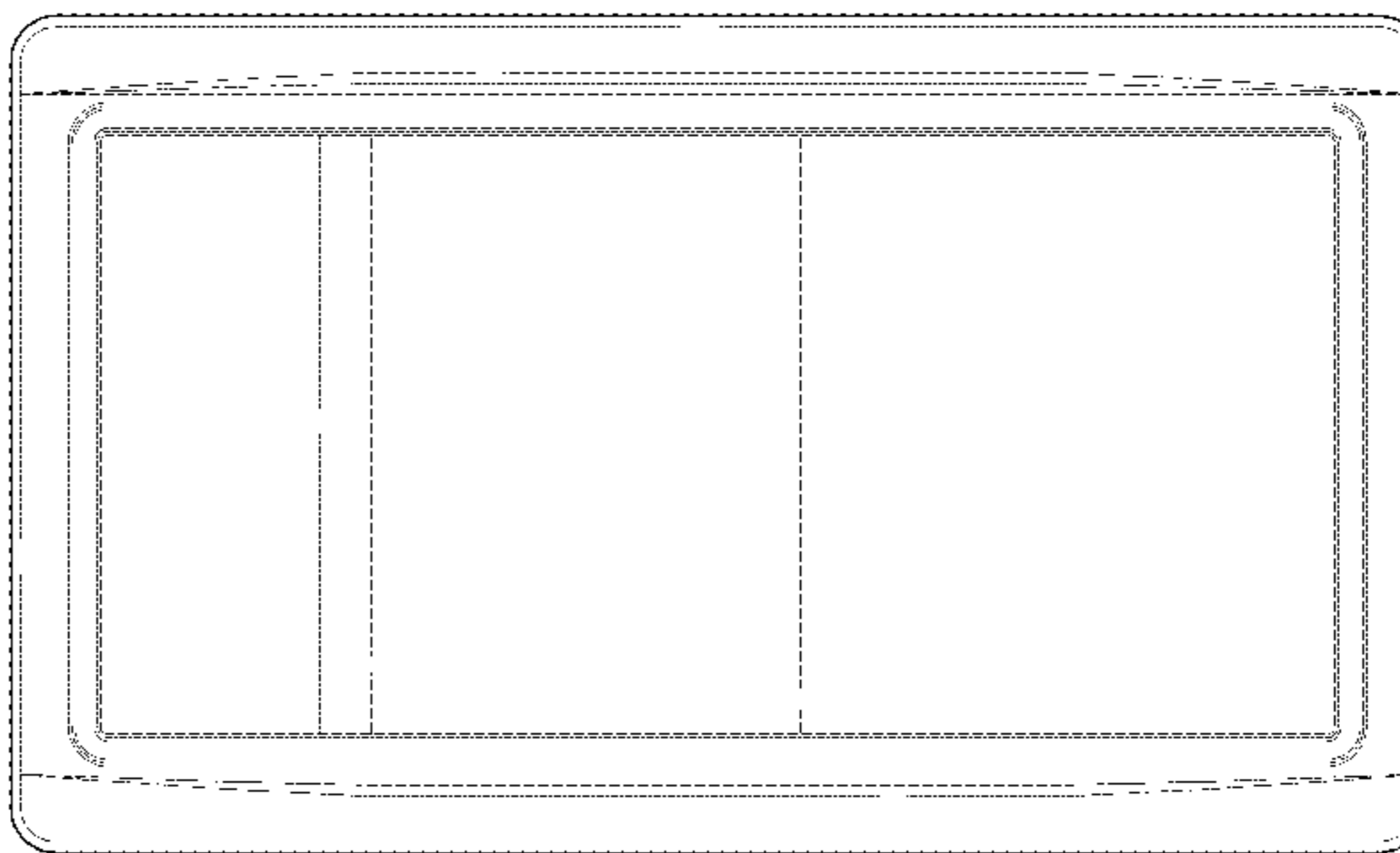
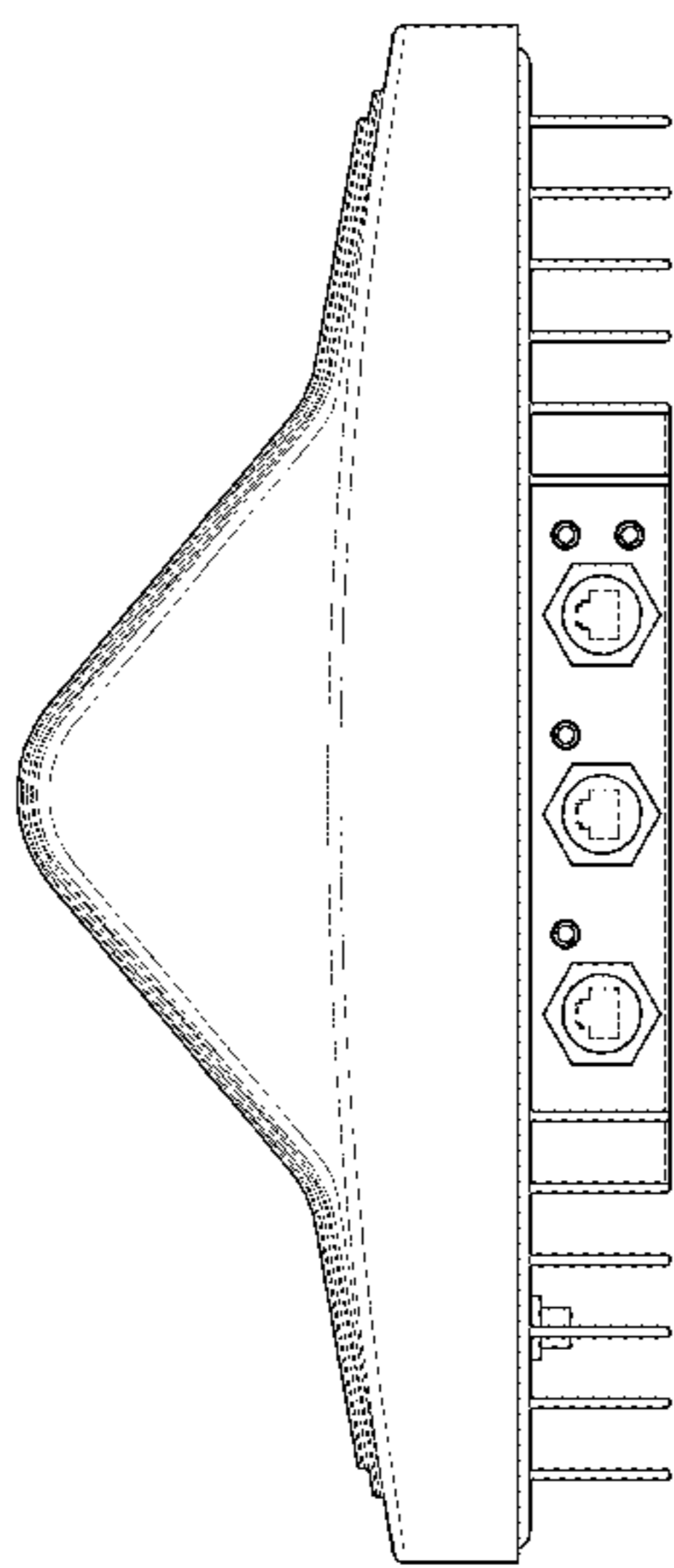
The ornamental design for the intelligent backhaul radio with symmetric wing radome, as shown and described.

**DESCRIPTION**

FIG. 1 is a front bottom perspective view;  
FIG. 2 is a rear bottom perspective view;  
FIG. 3 is a bottom view;  
FIG. 4 is a top view;  
FIG. 5 is a right side view;  
FIG. 6 is a left side view;  
FIG. 7 is a front view; and,  
FIG. 8 is a rear view.

The broken lines are directed to environment and are for illustrative purposes only; the broken lines form no part of the claimed design.

**1 Claim, 8 Drawing Sheets**





(56)

## References Cited

## U.S. PATENT DOCUMENTS

7,403,501	B2	7/2008	Bordonaro et al.	
D595,274	S *	6/2009	Skottke et al.	D14/230
D596,627	S *	7/2009	Cho et al.	D14/240
7,587,177	B1	9/2009	Kwong	
7,593,729	B2	9/2009	Barak et al.	
7,599,290	B2	10/2009	Dos Remedios et al.	
D604,724	S *	11/2009	Vorreiter et al.	D14/240
7,616,554	B2	11/2009	Asai et al.	
7,620,370	B2	11/2009	Barak et al.	
D619,571	S *	7/2010	Lee	D14/242
7,756,519	B2	7/2010	Barak et al.	
D622,256	S *	8/2010	Lockenwitz	D14/155
7,848,241	B2	12/2010	Natarajan et al.	
7,948,942	B2	5/2011	Zhang et al.	
D643,025	S	8/2011	Poddaturi	
8,078,109	B1	12/2011	Mulcay	
8,175,535	B2	5/2012	Mu	
8,238,318	B1	8/2012	Negus	
8,300,590	B1	10/2012	Negus et al.	
8,311,023	B1	11/2012	Negus	
8,385,305	B1	2/2013	Negus et al.	
8,422,540	B1	4/2013	Negus et al.	
8,467,363	B2	6/2013	Lea et al.	
2001/0030939	A1	10/2001	Vijayan et al.	
2001/0050927	A1	12/2001	Johnson	
2002/0060993	A1	5/2002	Dent	
2002/0064141	A1	5/2002	Sakakura	
2004/0006573	A1	1/2004	Takashi	
2004/0151238	A1	8/2004	Masenten	
2004/0165650	A1	8/2004	Miyazaki et al.	
2005/0026616	A1	2/2005	Cavalli et al.	
2005/0075078	A1	4/2005	Makinen et al.	
2006/0056365	A1	3/2006	Das et al.	
2006/0079290	A1	4/2006	Seto et al.	
2006/0141929	A1	6/2006	Lockie et al.	
2006/0164271	A1	7/2006	Hirt et al.	
2006/0273952	A1	12/2006	Krikorian et al.	
2007/0097899	A1	5/2007	Larsson et al.	
2007/0146225	A1	6/2007	Boss et al.	
2007/0155431	A1	7/2007	Munzner et al.	
2007/0243878	A1	10/2007	Taira et al.	
2008/0014948	A1	1/2008	Scheinert	
2008/0080364	A1	4/2008	Barak et al.	
2008/0090575	A1	4/2008	Barak et al.	
2008/0181282	A1	7/2008	Wala et al.	
2008/0240307	A1	10/2008	Wang et al.	
2008/0242232	A1	10/2008	Zavadsky et al.	
2009/0010238	A1	1/2009	Barak et al.	
2009/0052411	A1	2/2009	Leung et al.	
2009/0067526	A1	3/2009	Ratermann et al.	
2009/0143017	A1	6/2009	Barak et al.	
2009/0252134	A1	10/2009	Schlicht et al.	
2009/0274130	A1	11/2009	Boch	
2009/0304055	A1	12/2009	Nino et al.	
2009/0312022	A1	12/2009	Viorel et al.	
2009/0323621	A1	12/2009	Touboul et al.	
2010/0046439	A1	2/2010	Chen et al.	
2010/0056205	A1	3/2010	Fuss	
2010/0157970	A1	6/2010	Gotman et al.	
2010/0272006	A1	10/2010	Bertrand et al.	
2011/0044279	A1	2/2011	Johansson et al.	
2011/0070855	A1	3/2011	Mariotti	
2011/0085525	A1	4/2011	Patini	
2011/0103292	A1	5/2011	Pasad et al.	
2011/0182174	A1	7/2011	Pi et al.	
2011/0206155	A1	8/2011	Fujimura et al.	
2011/0235514	A1	9/2011	Huang et al.	
2012/0058777	A1	3/2012	Nguyen et al.	
2012/0063472	A1	3/2012	Le Pallec et al.	
2012/0108284	A1	5/2012	Patel et al.	
2013/0089037	A1	4/2013	Negus et al.	
2013/0089041	A1	4/2013	Negus et al.	
2013/0089042	A1	4/2013	Negus et al.	
2013/0089083	A1	4/2013	Negus et al.	
2013/0100897	A1	4/2013	Negus	

## OTHER PUBLICATIONS

“WiMAX/BWA/LTE RF MxFE 2x2 MIMO Transceiver, AD9357,” Data Sheet, Analog Devices, 2010.

“WiMAX/WiBro RF MxFE MISO Transceiver, AD9354,” Data Sheet, Analog Devices, 2008-2009.

“WiMAX/WiBro RF MxFE MISO Transceiver, AD9355,” Data Sheet, Analog Devices, 2008-2009.

“WiMAX RF MxFE Transceiver, AD9352-5,” Data Sheet, Analog Devices, 2008.

“WiMAX RF MxFE Transceiver, AD9353,” Data Sheet, Analog Devices, 2007.

“WiMAX/WiBro RF MxFE Transceiver, AD9352,” Data Sheet, Analog Devices, 2007.

“MGA-645T6—Low Noise Amplifier with Bypass/Shutdown Mode in Low Profile Package,” Data Sheet, Avago Technologies, Nov. 2009, 16 pages.

“MGA-655T6—Low Noise Amplifier with Bypass Mode in Low Profile Package,” Data Sheet, Avago Technologies, Nov. 2009, 14 pages.

“MGA-675T6—Low Noise Amplifier with Shutdown Mode in Low Profile Package for 4.9—6 GHz Application,” Data Sheet, Avago Technologies, Nov. 2009, 16 pages.

“MGA-21108—Broadband Fully Integrated Matched Low-Noise Amplifier MMIC,” Data Sheet, Avago Technologies, Aug. 2009, 21 pages.

“MGA-22003—2.3-2.7 GHz 3x3mm WiMAX/WiBro and WiFi Linear Amplifier Module,” Data Sheet, Avago Technologies, Mar. 2010, 15 pages.

“MGA-23003—3.3-3.8 GHz 3x3mm WiMAX Power Amplifier,” Data Sheet, Avago Technologies, Mar. 2010, 16 pages.

“MGA-25203—5.1-5.9GHz 3x3mm WiFi and WiMAX Power Amplifier,” Data Sheet, Avago Technologies, Mar. 2010, 14 pages.

MGA-43328—(2.5-2.7) GHz 29dBm High Linearity Wireless Data Power Amplifier, Data Sheet, Avago Technologies, Mar. 2010, 19 pages.

“MGA-43328—High Linearity Wireless Data Power Amplifier for 2.5 to 2.7 GHz Applications,” Data Sheet, Avago Technologies, Apr. 2010, 10 pages.

Baum, D. S. et al., “An Interim Channel Model for Beyond-3G Systems—Extending the 3GPP Spatial Channel Model (SCM),” IEEE, Vehicular Technology Conference, vol. 5, 2005, pp. 3132-3136.

Conrat, J-M. et al., “Typical MIMO Propagation Channels in Urban Macrocells at 2 GHz,” EURASIP Journal on Wireless Communications and Networking, vol. 2007, Iss. 2, Jan. 2007, 9 pages.

Coon, J. P. et al., “Adaptive Frequency-Domain Equalization for Single-Carrier Multiple-Input Multiple-Output Wireless Transmissions,” IEEE Transactions on Signal Processing, vol. 53, No. 8, Aug. 2005, pp. 3247-3256.

Coon, J. P. et al., “An Investigation of MIMO Single-Carrier Frequency-Domain MMSE Equalization,” Centre for Communications Research, University of Bristol, Sep. 2002, 4 pages.

“DAN2400-PTP—Open SoC Platform for Sub-6GHz Wireless Point-to-Point Systems,” DesignArt Networks, Jul. 2008, 2 pages.

Durgin, G. D., “Wideband Measurements of Angle and Delay Dispersion for Outdoor and Indoor Peer-to-Peer Radio Channels at 1920 MHz,” IEEE Transactions on Antennas and Propagation, vol. 51, No. 5, May 2003, pp. 936-944.

Falconer, D. D. et al., “Broadband Wireless Using Single Carrier and Frequency Domain Equalization,” Invited Overview Paper for WPMC '02, Honolulu, Oct. 2002, 10 pages.

Falconer, D. D. et al., “Frequency Domain Equalization for Single-Carrier Broadband Wireless Systems,” Wideband Wireless Access Technologies to Broadband Internet, IEEE Communications Magazine, Apr. 2002, pp. 58-66.

“GainSpan GS1011M Low Power Wi-Fi® Module Family,” Product Brief—Preliminary, GainSpan Corp., 2009, 2 pages.

Hentschel, T. et al., “The Digital Front-End—Bridge Between RF and Baseband-Processing,” Software Defined Radio: Enabling Technologies by Walter Tuttlebee, Chapter 6, Jun. 2002, 58 pages.



(56)

**References Cited**

## OTHER PUBLICATIONS

“HMC536MS8G / 536MS8GE—GaAs MMIC Positive Control T/R Switch, DC—6 GHz,” Data Sheet, Switches —SMT, Hittite Microwave Corp., 2008, pp. 10.295-10.299.

“Part 11: Wireless LAN Medium Access Control (MAC) and Physical Layer (PHY) Specifications—Amendment 5: Enhancements for Higher Throughput,” IEEE Standard for Information Technology—Telecommunications and Information Exchange Between Systems—Local and Metropolitan Area Networks—Specific Requirements, IEEE Computer Society, IEEE Std 802.11, Sep. 2009, 536 pages.

“Part 11: Wireless LAN Medium Access Control (MAC) and Physical Layer (PHY) Specifications,” IEEE Standard for Information Technology—Telecommunications and Information Exchange Between Systems—Local and Metropolitan Area Networks—Specific requirements, IEEE Computer Society, IEEE Std 802.11, Jun. 2007, 1233 pages.

“Part 16: Air Interface for Fixed Broadband Wireless Access Systems,” IEEE Standard for Local and Metropolitan Area Networks, IEEE Std 802.16, IEEE Computer Society and the IEEE Microwave Theory and Techniques Society, Oct. 2004, 895 pages.

“Part 16: Air Interface for Fixed and Mobile Broadband Wireless Access Systems—Amendment 2: Physical and Medium Access Control Layers for Combined Fixed and Mobile Operation in Licensed Bands and Corrigendum 1,” IEEE Standard for Local and Metropolitan Area Networks, IEEE Computer Society and the IEEE Microwave Theory and Techniques Society, IEEE Std 802.16e—2005 and IEEE Std 802.16/2004/Cor1-2005, Feb. 2006, 864 pages.

“Information Technology—Open Systems Interconnection—Basic Reference Model: The Basic Model,” International Standard, ISO/IEC 7498-1, Second Edition Nov. 15, 1994, Corrected and Reprinted Jun. 15, 1996, 68 pages.

“SC-FDMA—Single Carrier FDMA in LTE,” Data Sheet, IXIA Corp., Nov. 2009, 16 pages.

“Clock Synchronization in Carrier Ethernet Networks—Synchronous Ethernet and 1588v2 on Juniper Networks MX Series 3D Universal Edge Routers,” White Paper, Juniper Networks, Inc., 2010, 11 pages.

Lashkarian, N., “Reconfigurable Digital Front-end Architecture for Wireless Base-Station Transmitters: Analysis, Design and FPGA Implementation,” Seminar Presentation, University of California, Berkeley, Apr. 2006, 86 pages.

Padhi, S. K. et al., “A Dual Polarized Aperture Coupled Circular Patch Antenna Using a C-Shaped Coupling Slot,” IEEE Transactions on Antennas and Propagation, vol. 51, No. 12, Dec. 2003, pp. 3295-3298.

Pancaldi, F. et al., “Single-Carrier Frequency Domain Equalization—A Focus on Wireless Applications,” IEEE Signal Processing Magazine, Sep. 2008, 22 pages.

“PC203-PC203-10—Basestation PHY Processor,” Wireless Communications Processors, Product Brief, picoChip Flexible Wireless, 2008, 4 pages.

Nathanzon, G. et al., “Cost-Effective Backhaul Alternatives for WiMAX Networks: Challenges & Solutions,” Provigent Inc., Jun. 2008, 16 pages.

Soffer, R., “Microwave Wireless Backhaul for LTE Networks—Meeting the Rapidly-Increasing Demand for Mobile Data,” Provigent Inc., Jan. 2010, 18 pages.

Soffer, R., “ProviBand—Next Generation Wireless Backhaul Technology,” Technical White Paper, Provigent Inc., Jan. 2006, 13 pages.

“Doubling Capacity in Wireless Channels,” Provigent Inc., 2008, 3 pages.

Sharony, J., “Introduction to Wireless MIMO—Theory and Applications,” CEWIT—Center of Excellence in Wireless and Informational Technology, Stony Brook University, IEEE LI, Nov. 15, 2006, 63 pages.

Stüber, G. L., et al., “Broadband MIMO-OFDM Wireless Communications,” Invited Paper, Proceedings of the IEEE, vol. 92, No. 2, Feb. 2004, pp. 271-294.

Tubbax, J., “OFDM Versus Single Carrier with Cyclic Prefix: A System-based Comparison for Binary Modulation,” IMEC, Belgium, Jan. 2011, 4 pages.

“AccessGate—RAN Optimization for Mobile Backhaul Systems,” Product Data Sheet, Memotec, 2009, Montreal, Quebec, Canada, 2 pages.

“Advances in Backhaul Synchronization—Maximizing ROI,” Application Brief, Symmetricom Inc., 2008, 6 pages.

Beller, D. et al., “MPLS-TP—The New Technology for Packet Transport Networks,” Alcatel-Lucent Deutschland AG, Stuttgart, 2009 11 pages.

“Carrier Ethernet Services Overview,” Presentation, MEF, Aug. 2008, 32 pages.

Chundury, R., “Mobile Broadband Backhaul: Addressing the Challenge,” Planning Backhaul Networks, Ericsson Review, 2008, pp. 4-9.

“Clock Distribution and Synchronization over Ethernet: IEEE1588v2 and SyncE,” Presentation, VITESSE, Sep. 2009, 9 pages.

“Evolving Microwave Mobile Backhaul for Next-Generation Networks,” White Paper, NEC Corp., Feb. 2008, 4 pages.

Frost, D. et al., “MPLS Transport Profile Data Plane Architecture,” Internet Engineering Task Force, RFC 5960, Aug. 2010, 16 pages.

Garner, G. M., “IEEE 1588 Version 2,” ISPCS Ann Arbor '08, Sep. 2008, 89 pages.

“IEEE 1588v2 (Precision Time Protocol) Testing,” Application Note, IXIA, Dec. 2009.

“Understanding MPLS-TP and Its Benefits,” White Paper, Cisco Systems Inc., 2009, 9 pages.

“Using OAM for Efficient and Cost-Effective Ethernet Backhaul Network Management,” Application Note 229, EXFO Inc., Quebec City, Canada, 2010, 4 pages.

United States Federal Communications Commission (FCC) website: <http://www.fcc.gov/>.

OpenFlow website: <http://www.openflow.org/>.

Cuypers, G. et al., “Improved Frequency Domain Equalizers for Zero-Padded Single-Carrier Block Transmission,” Feb. 3, 2011, 14 pages.

Hallwachs, J., “Unleashing the Mobile Broadband Radio: Next-generation SoC Platforms Drive “Distributed Multi-gigabit RF Networks,”” DesignArt Networks, 2010, 12 pages.

“Unified Mobile Backhaul,” DesignArt Networks, Jan. 26, 2011, 8 pages.

Notice of Allowance in U.S. Appl. No. 13/212,036, mailed Apr. 3, 2012.

Office Action in U.S. Appl. No. 13/271,051, mailed Jun. 14, 2013.

U.S. Appl. No. 13/371,346, filed Feb. 10, 2012.

Office Action in U.S. Appl. No. 13/371,346, mailed Sep. 26, 2012.

Notice of Allowance in U.S. Appl. No. 13/371,346, mailed Apr. 24, 2013.

Office Action in U.S. Appl. No. 13/371,366, mailed Apr. 19, 2012.

Notice of Allowance in U.S. Appl. No. 13/371,366, mailed Sep. 21, 2012.

Office Action in U.S. Appl. No. 13/415,778, mailed Apr. 26, 2012.

Notice of Allowance in U.S. Appl. No. 13/415,778, mailed Sep. 17, 2012.

Office Action in U.S. Appl. No. 13/448,294, mailed on Jun. 21, 2012.

Notice of Allowance in U.S. Appl. No. 13/448,294 dated Oct. 23, 2012.

Notice of Allowance in U.S. Appl. No. 13/536,927 dated Feb. 19, 2013.

International Search Report and Written Opinion for PCT Application No. PCT/US2012/049948 dated Oct. 22, 2012.

Notice of Allowance in U.S. Appl. No. 13/609,156 dated Dec. 13, 2012.

International Search Report and Written Opinion for PCT Application No. PCT/US2012/059797 dated Jan. 2, 2013.

Office Action in U.S. Appl. No. 13/645,472, mailed on May 24, 2013.

U.S. Appl. No. 13/748,544, filed Jan. 23, 2013.

U.S. Appl. No. 13/767,796, filed Feb. 14, 2013.

Office Action in U.S. Appl. No. 13/767,796, mailed on May 28, 2013.

U.S. Appl. No. 13/763,530, filed Feb. 8, 2013.

(56)

**References Cited**

OTHER PUBLICATIONS

International Search Report and Written Opinion for PCT Application No. PCT/US2013/029731 dated May 13, 2013.  
U.S. Appl. No. 13/898,429, filed May 20, 2013.

U.S. Appl. No. 13/934,175, filed Jul. 2, 2013.  
Notice of Allowance in U.S. Appl. No. 13/767,796 dated Sep. 16, 2013.  
International Search Report and Written Opinion in PCT Application No. PCT/US013/48782, dated Jul. 29, 2013.

\* cited by examiner



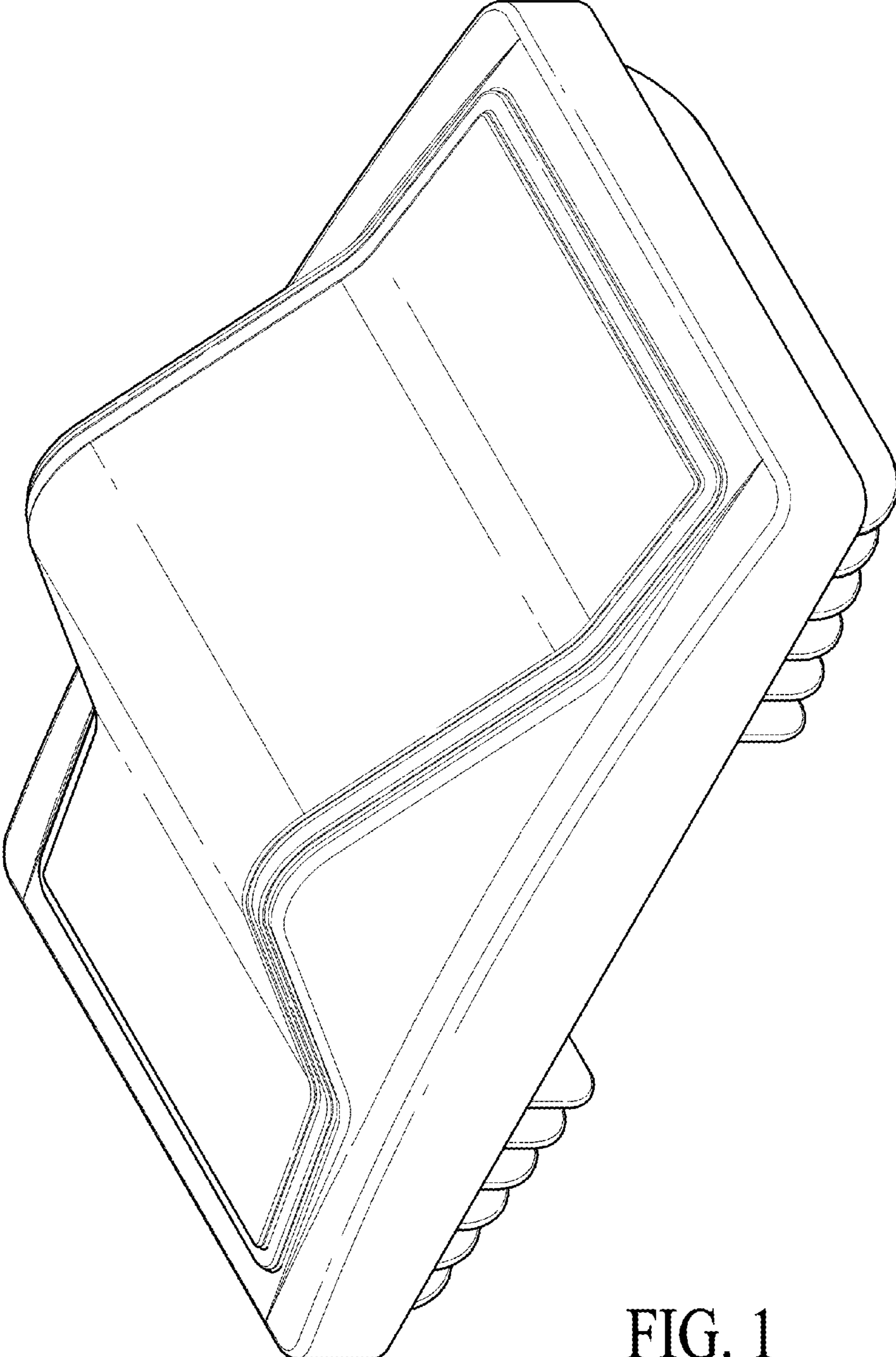


FIG. 1

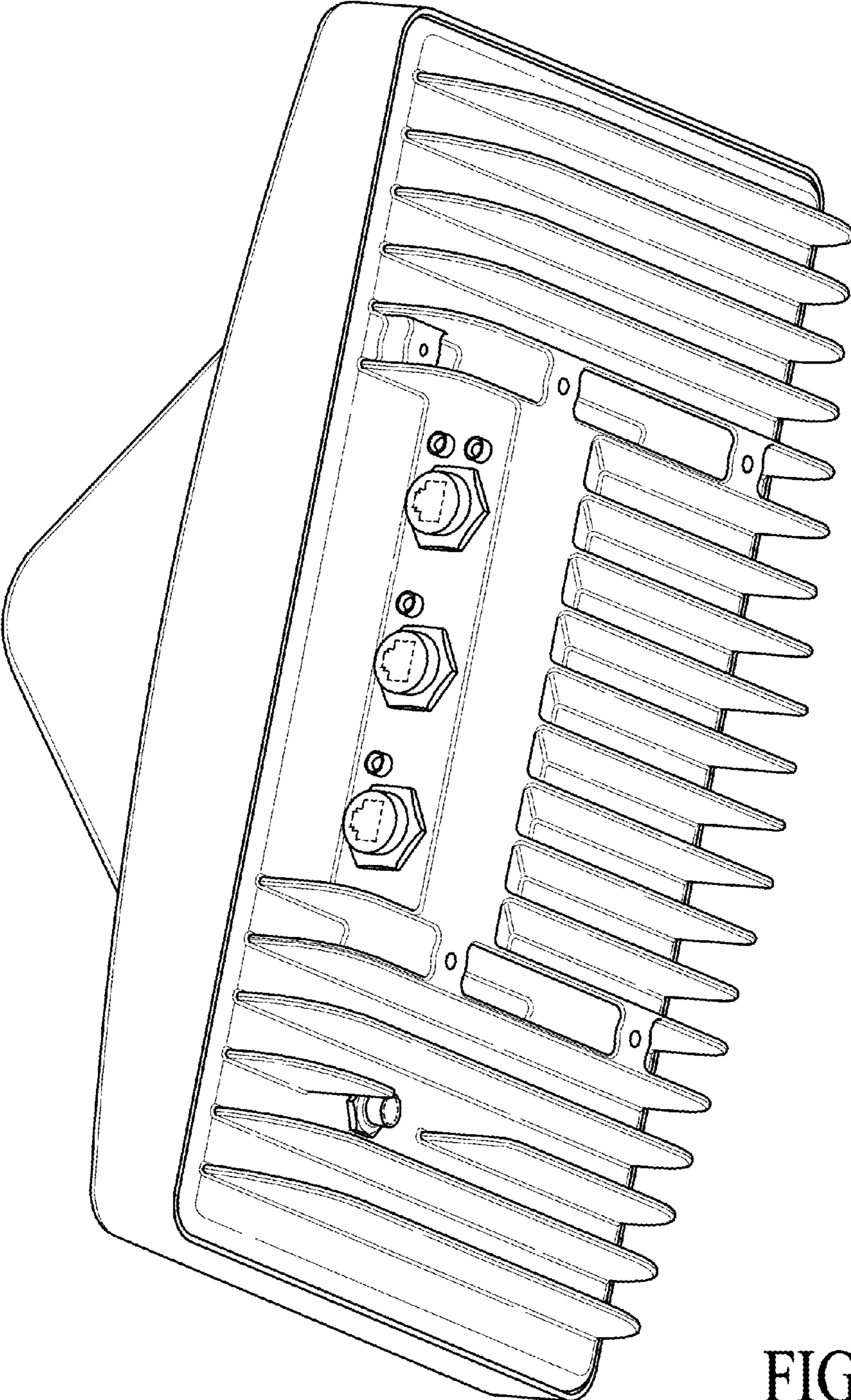


FIG. 2

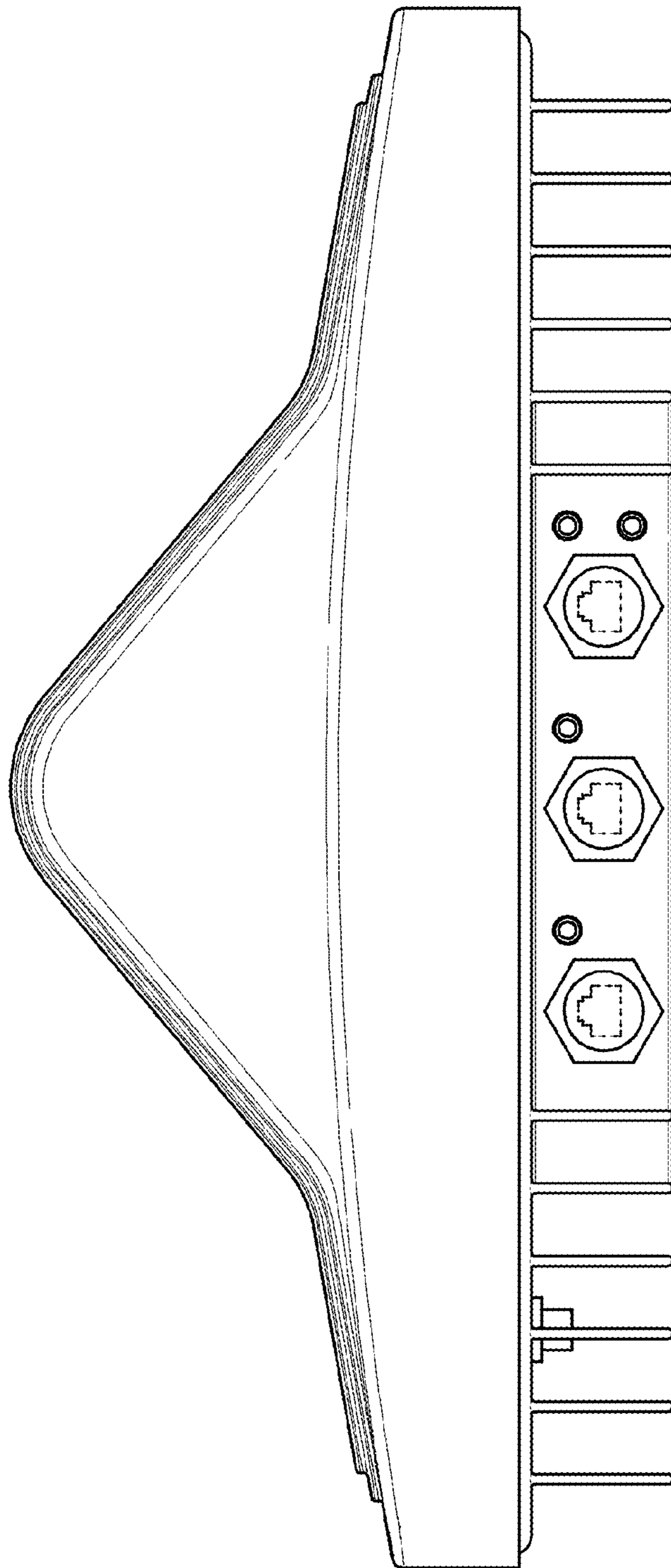


FIG. 3

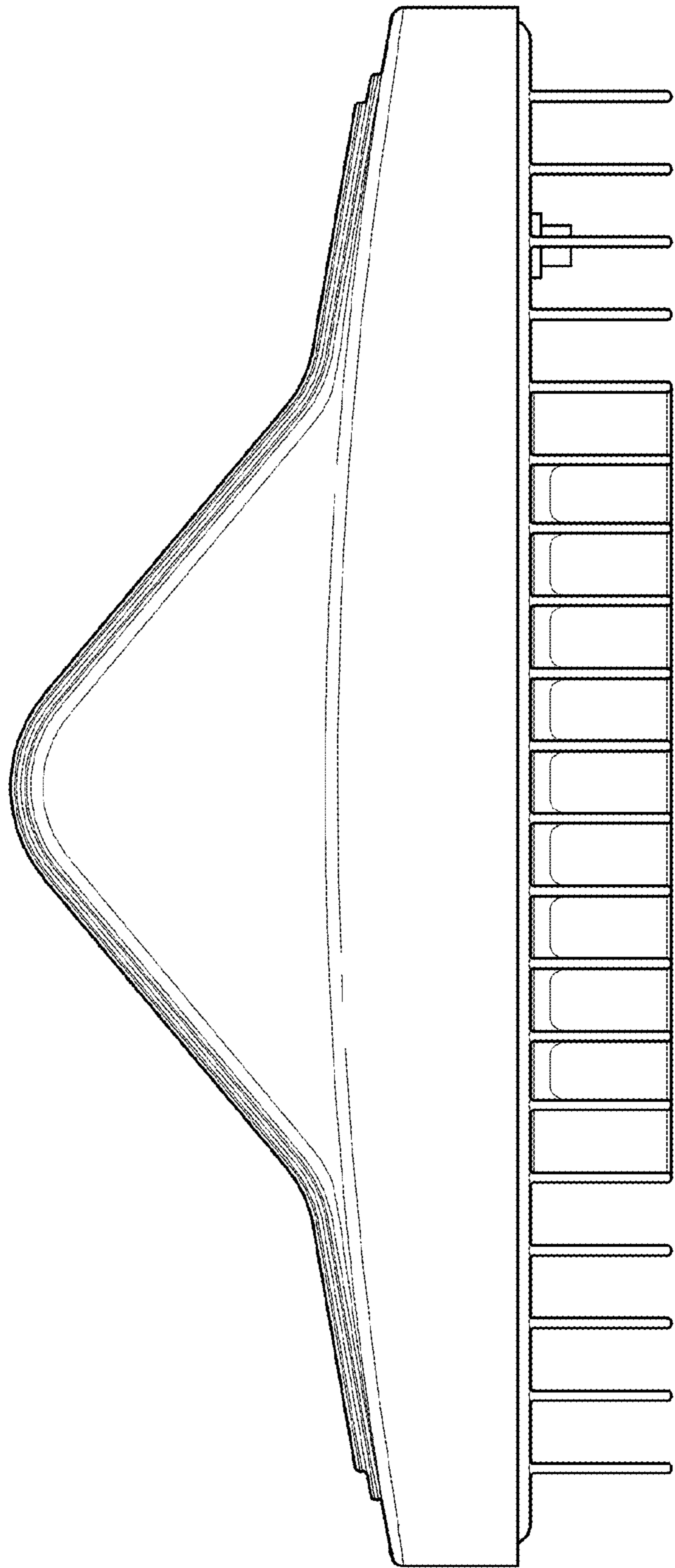


FIG. 4



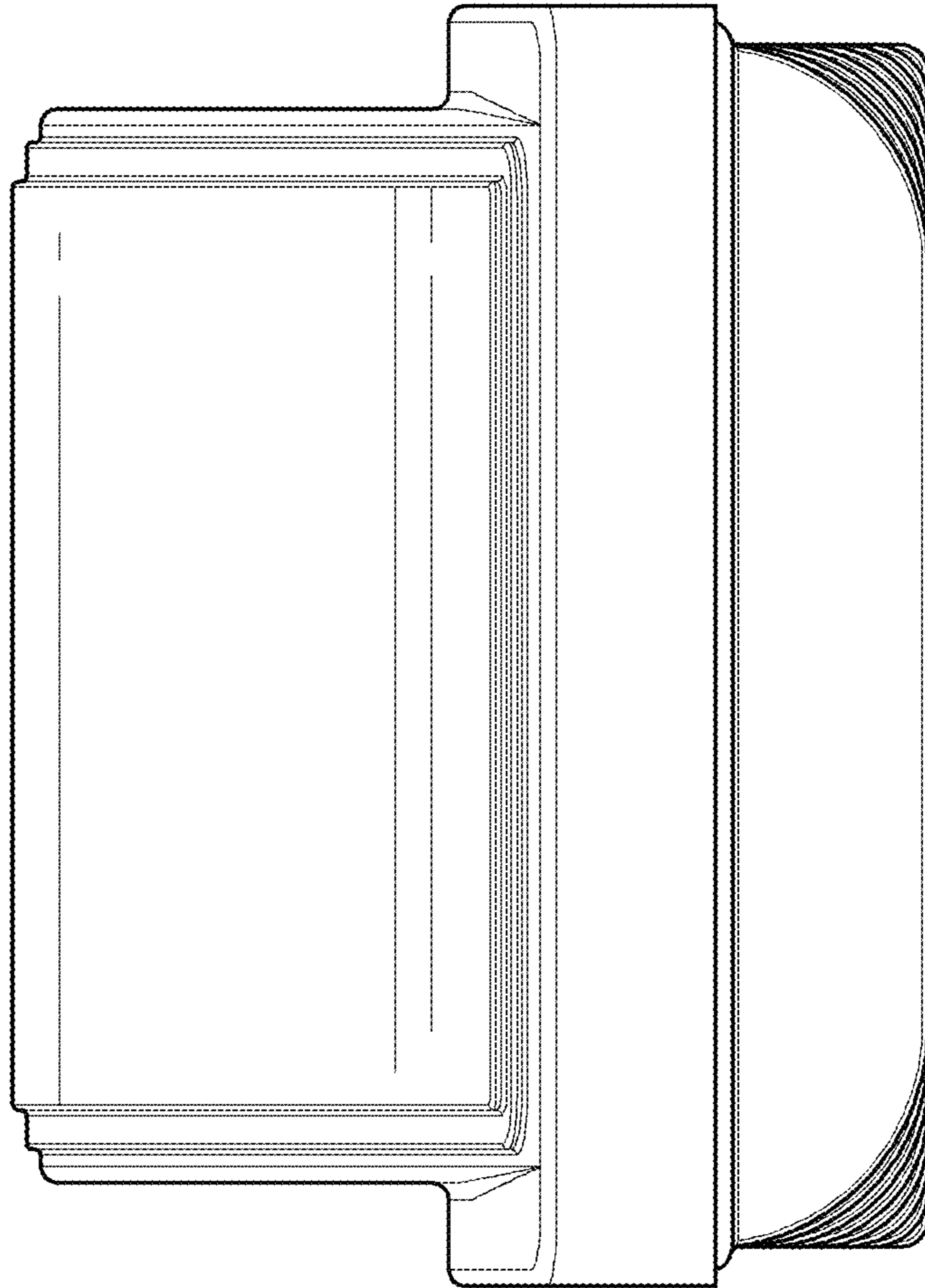


FIG. 5

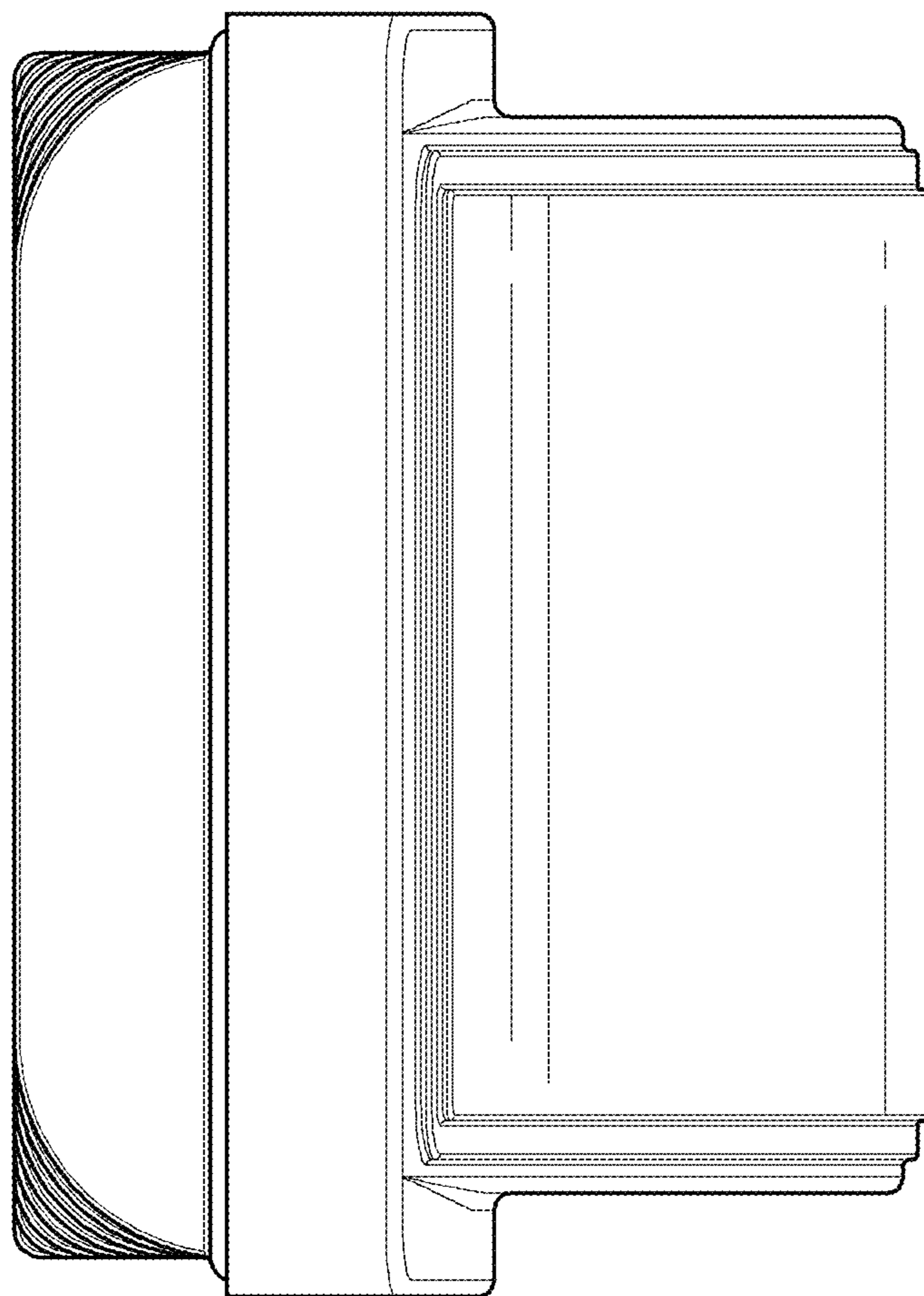


FIG. 6



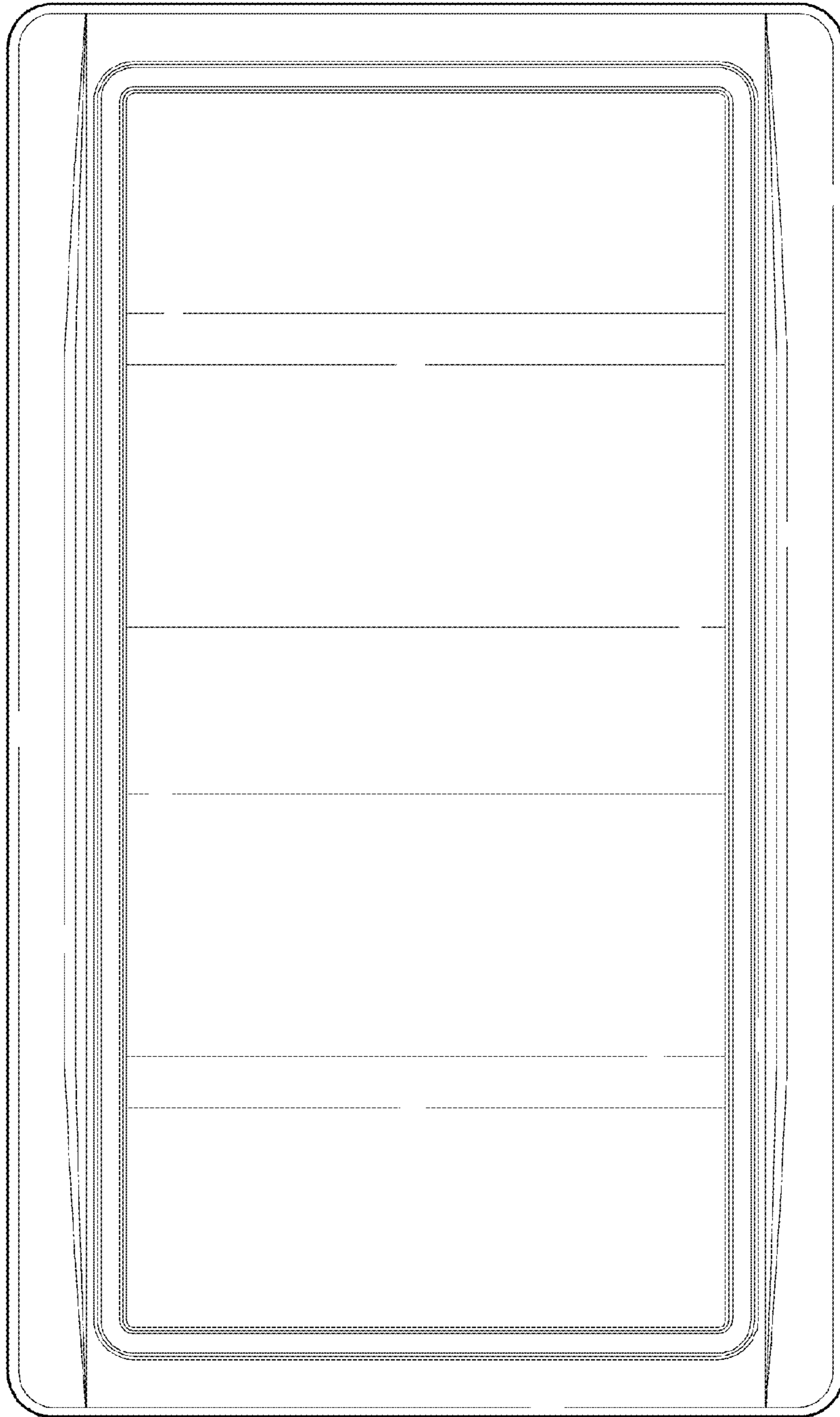


FIG. 7

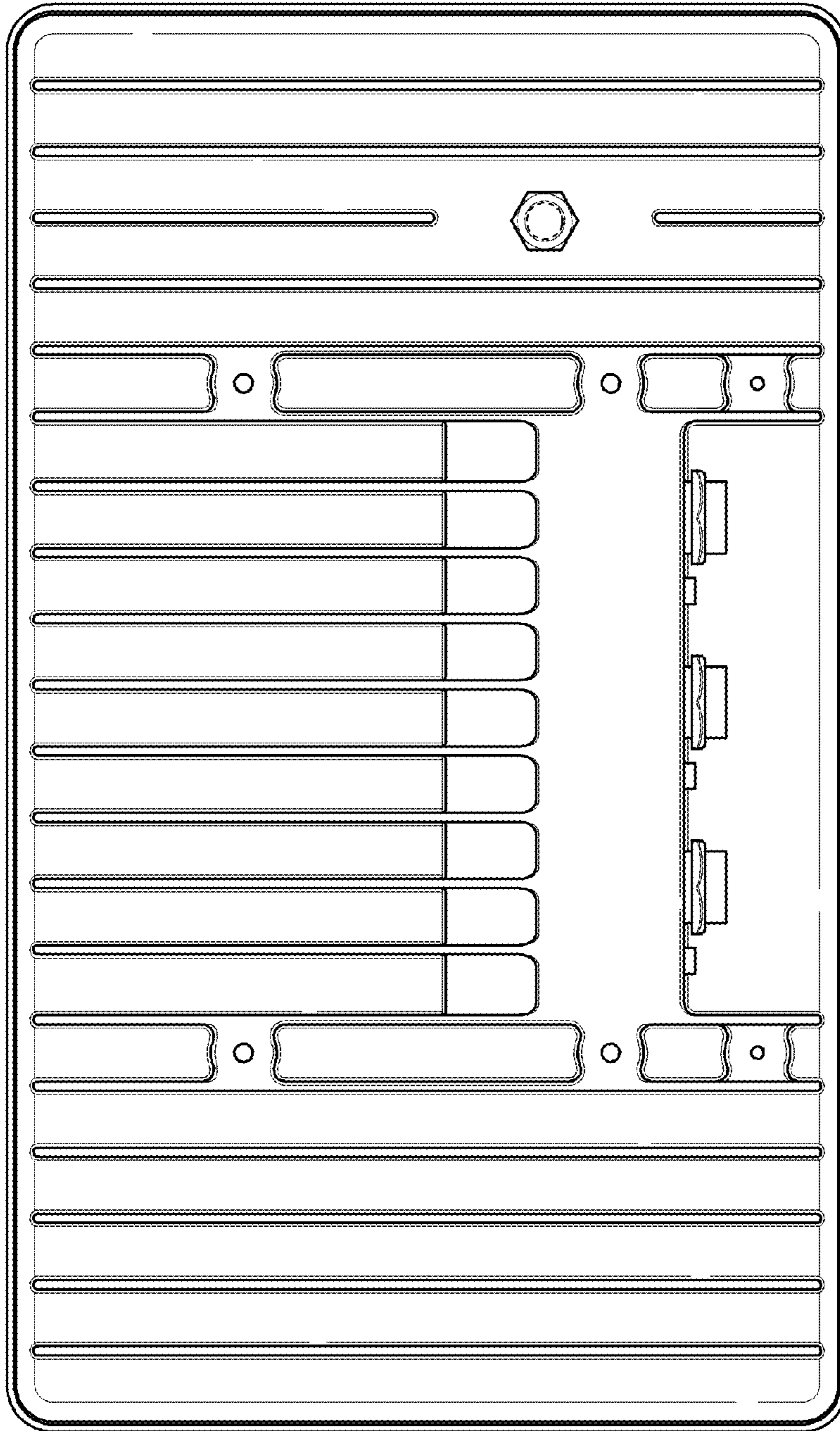


FIG. 8