



US00D704170S

(12) **United States Design Patent**
Forster et al.

(10) **Patent No.:** **US D704,170 S**

(45) **Date of Patent:** **** May 6, 2014**

(54) **RFID ANTENNA**

(71) Applicant: **Avery Dennison Corporation,**
Pasadena, CA (US)

(72) Inventors: **Ian J. Forster,** Essex (GB); **Norman A. Howard,** Essex (GB)

(73) Assignee: **Avery Dennison Corporation,**
Glendale, CA (US)

(**) Term: **14 Years**

(21) Appl. No.: **29/433,199**

(22) Filed: **Sep. 27, 2012**

(51) **LOC (10) Cl.** **14-03**

(52) **U.S. Cl.**
USPC **D14/230**

(58) **Field of Classification Search**
USPC D14/138, 230-238, 299, 358; D12/42,
D12/43; 343/700 MS, 700 R-705, 711-713,
343/735, 736, 741, 748, 767, 795, 819, 840,
343/846, 866, 871-908; 455/90.2, 90.3, 91,
455/128, 269, 344, 347, 562.1

See application file for complete search history.

(56) **References Cited**

U.S. PATENT DOCUMENTS

D535,647 S * 1/2007 Hall et al. D14/230

D546,821 S *	7/2007	Oliver	D14/230
D555,154 S *	11/2007	Lin et al.	D14/230
D573,589 S *	7/2008	Montgomery et al.	D14/230
D594,446 S *	6/2009	Kato	D14/230
D594,447 S *	6/2009	Kato	D14/230
D602,479 S *	10/2009	Ikemoto	D14/230
D602,480 S *	10/2009	Ikemoto	D14/230
D611,037 S *	3/2010	Oliver	D14/230
D611,038 S *	3/2010	Deguchi et al.	D14/230
D611,039 S *	3/2010	Deguchi et al.	D14/230
D617,320 S *	6/2010	Oliver	D14/230
D620,484 S *	7/2010	Oliver	D14/230
2005/0024287 A1 *	2/2005	Jo et al.	343/822
2006/0038725 A1 *	2/2006	Tikhov et al.	343/700 MS
2008/0007463 A1 *	1/2008	Chen	343/702

* cited by examiner

Primary Examiner — John Windmuller

(74) *Attorney, Agent, or Firm* — Avery Dennison Corporation

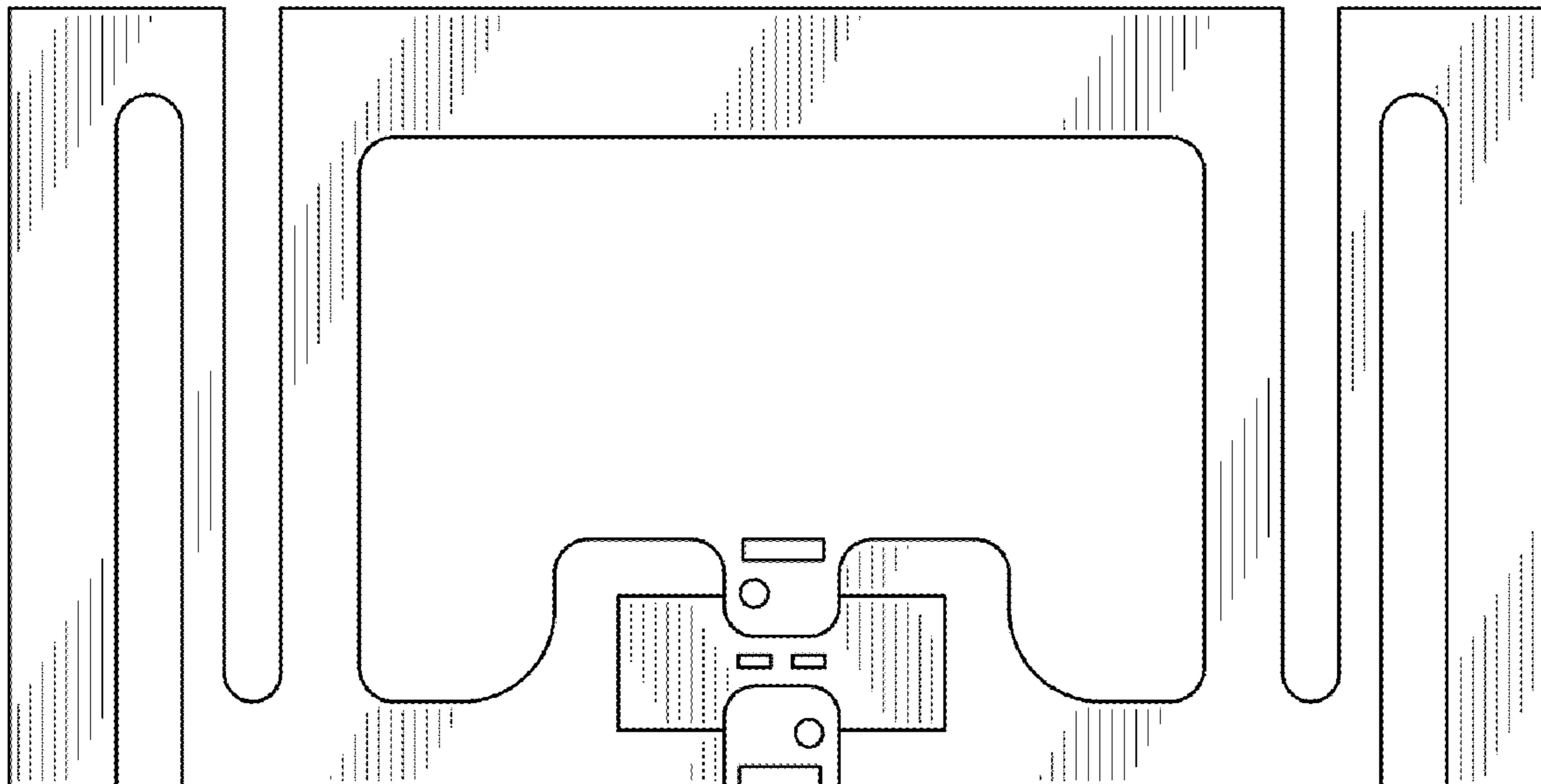
(57) **CLAIM**

The ornamental design for an RFID antenna, as shown and described.

DESCRIPTION

FIG. 1 is a plan view of an RFID antenna showing our new design; and,
FIG. 2 is an isometric view thereof.

1 Claim, 2 Drawing Sheets



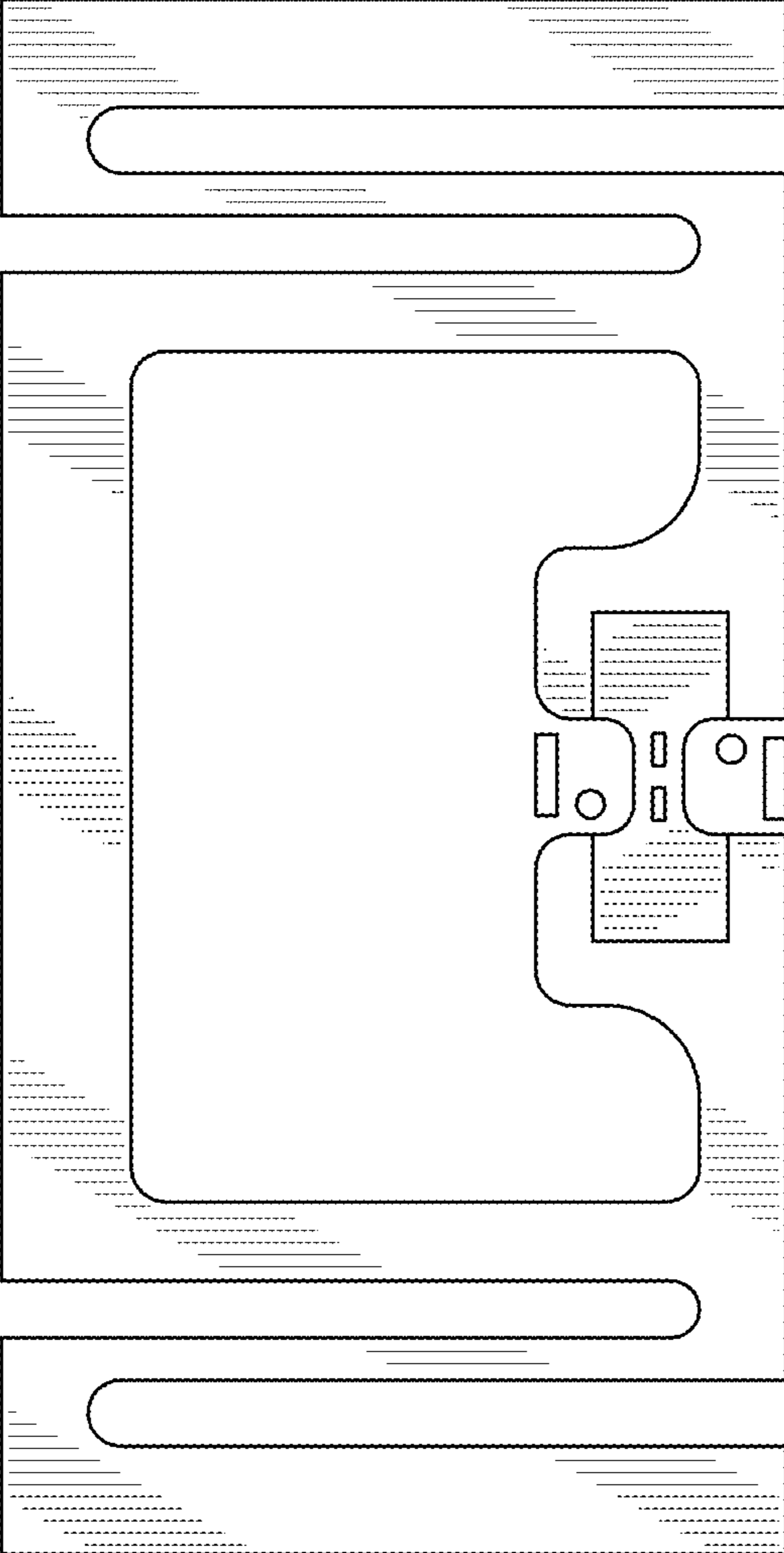


FIG. 1

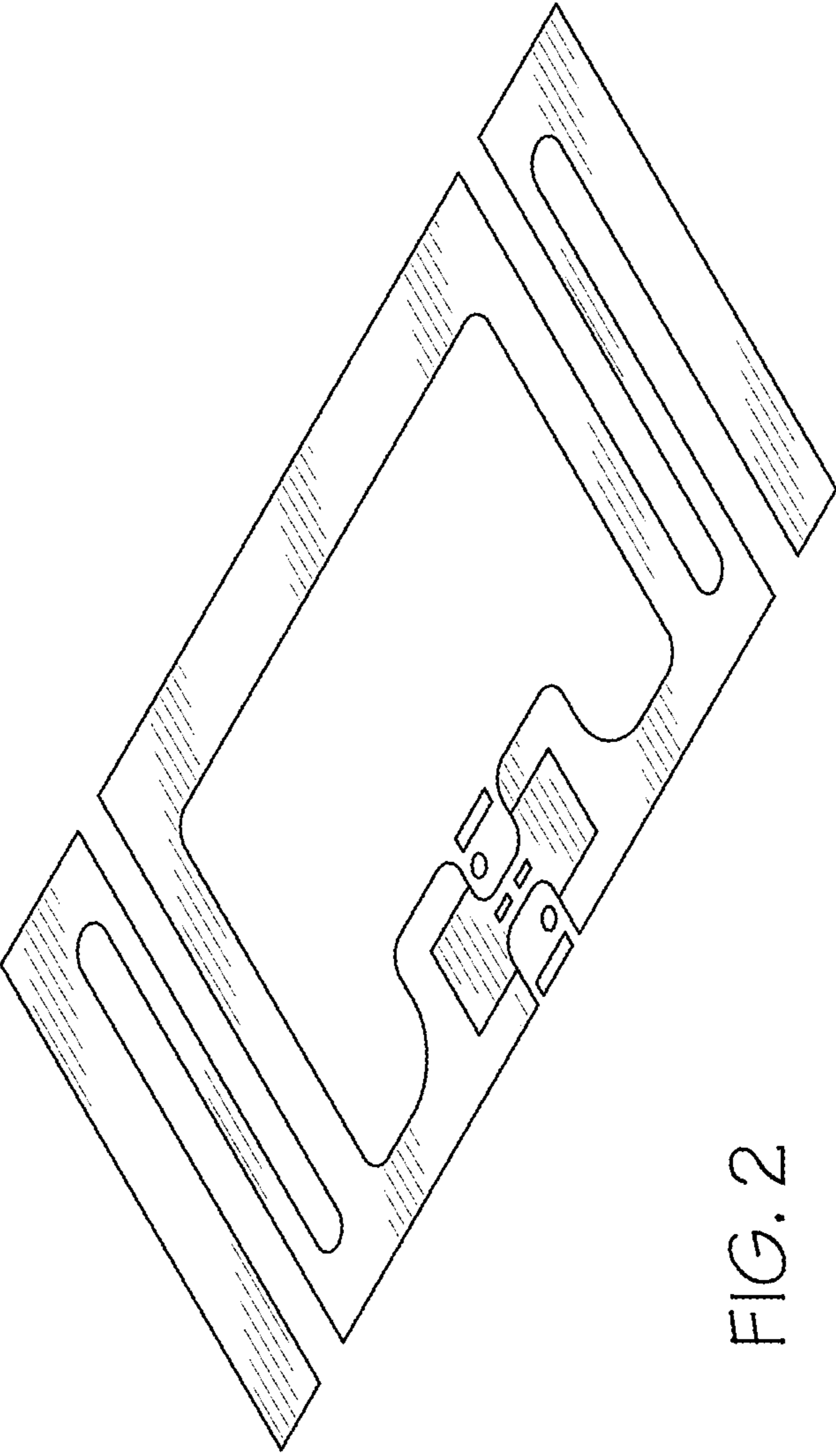


FIG. 2