



US00D704168S

(12) **United States Design Patent**
Godfrey

(10) **Patent No.:** **US D704,168 S**

(45) **Date of Patent:** **** May 6, 2014**

(54) **CLASSIC MICROPHONE**

(71) Applicant: **Michael James Godfrey**, Toronto (CA)

(72) Inventor: **Michael James Godfrey**, Toronto (CA)

(**) Term: **14 Years**

(21) Appl. No.: **29/437,345**

(22) Filed: **Nov. 15, 2012**

(51) **LOC (10) Cl.** **14-01**

(52) **U.S. Cl.**
USPC **D14/225**

(58) **Field of Classification Search**
USPC D14/172, 204, 207, 210-216, 225-229,
D14/130, 137, 142, 149, 154, 155, 158, 159,
D14/162, 177, 206, 209, 217, 218, 299, 356,
D14/496; 181/143-144, 147-148, 150-153,
181/157, 198-199, 158, 242, 300-303, 306,
181/332-333, 336, 345, 361-364,
181/386-388; 381/300-302, 306, 333, 345
See application file for complete search history.

(56) **References Cited**

U.S. PATENT DOCUMENTS

2,131,593 A * 9/1938 Marshall 181/148
D154,781 S * 8/1949 Karstadt D14/225

D185,712 S * 7/1959 Kamp D14/225
D309,266 S * 7/1990 Kaneko D10/6
D589,029 S * 3/2009 Lee D14/207

* cited by examiner

Primary Examiner — Thomas Johannes

Assistant Examiner — Holly E Thurman

(74) *Attorney, Agent, or Firm* — Welsh Flaxman & Gitler
LLC

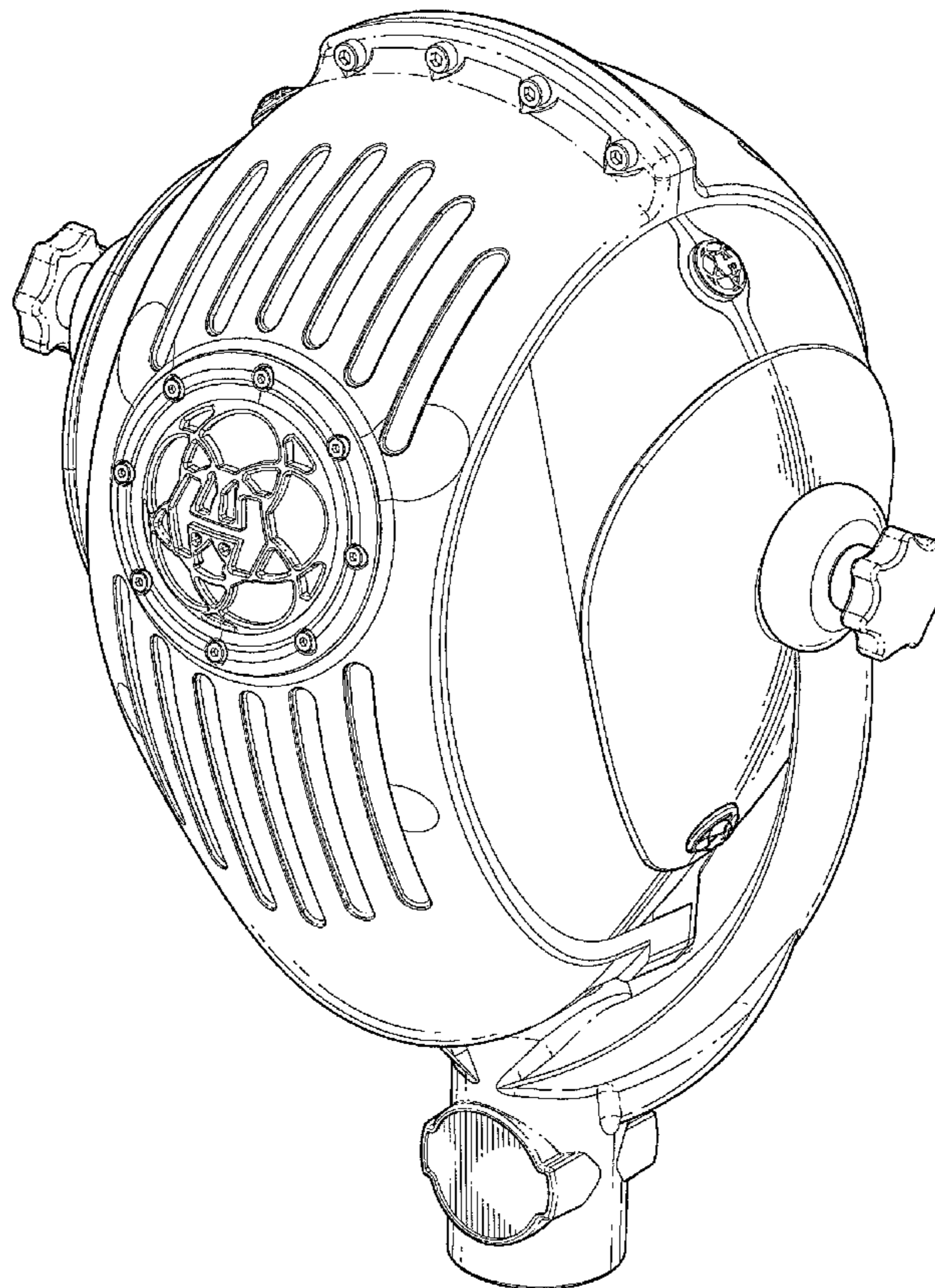
(57) **CLAIM**

The ornamental design for a classic microphone, as shown
and described.

DESCRIPTION

FIG. 1 is a perspective view of a classic microphone showing
my new design;
FIG. 2 is a front view thereof;
FIG. 3 is a left side view thereof;
FIG. 4 is a right side view thereof;
FIG. 5 is a rear view of the classic microphone;
FIG. 6 is a top view thereof; and,
FIG. 7 is a bottom view thereof.
The broken line portion of FIG. 5 is included to show
unclaimed subject matter only and forms no part of the
claimed design.

1 Claim, 7 Drawing Sheets



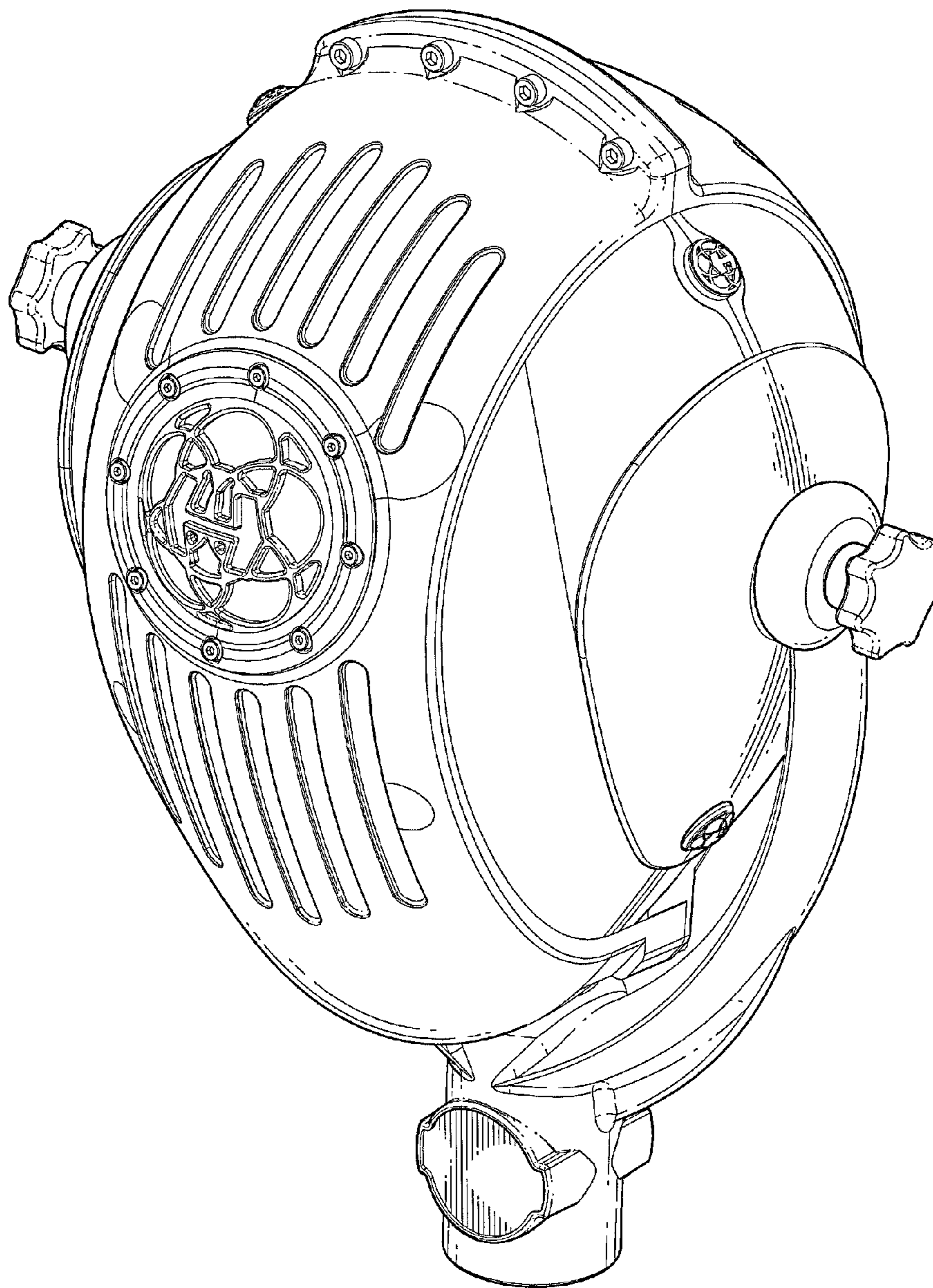


FIG. 1

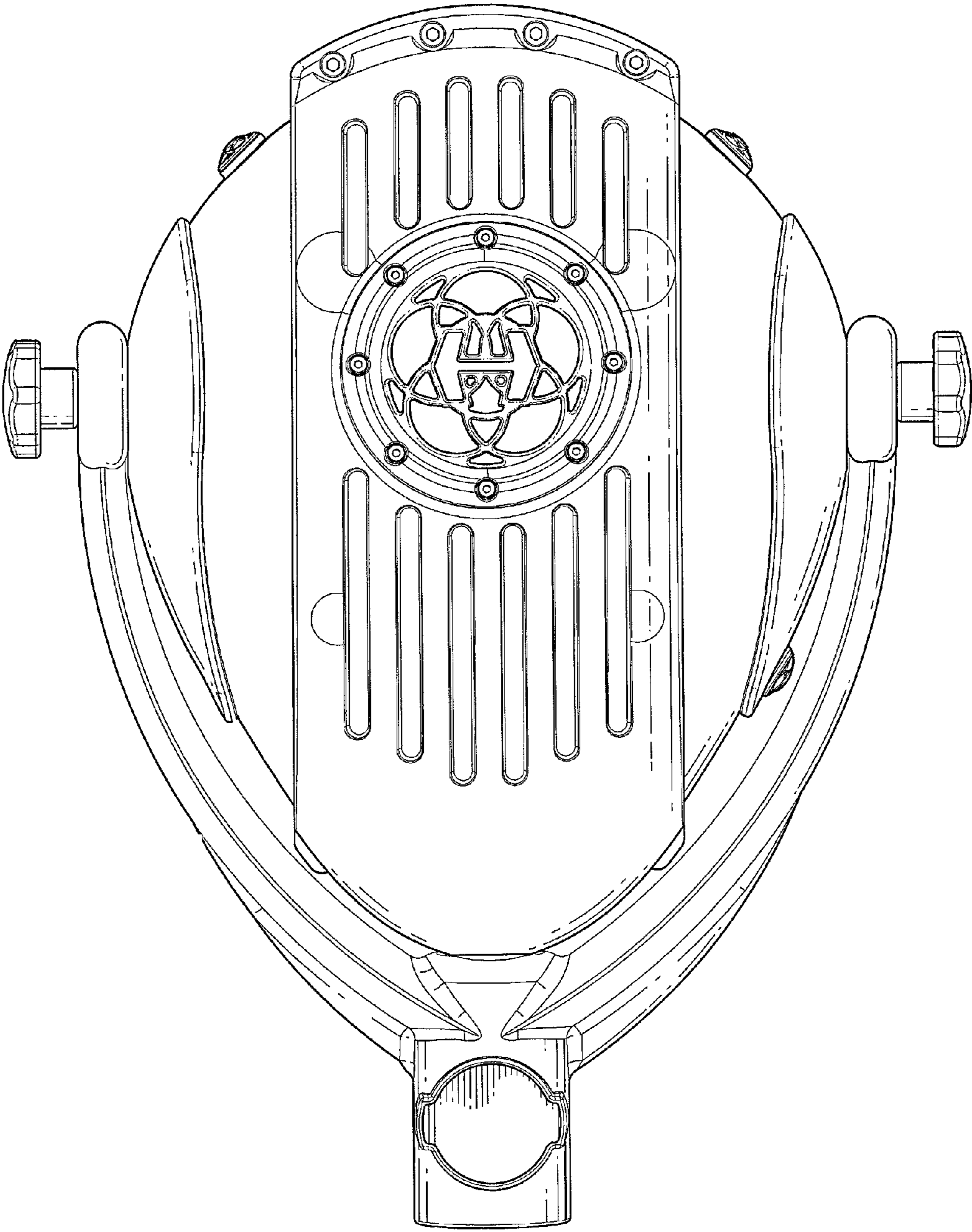


FIG. 2

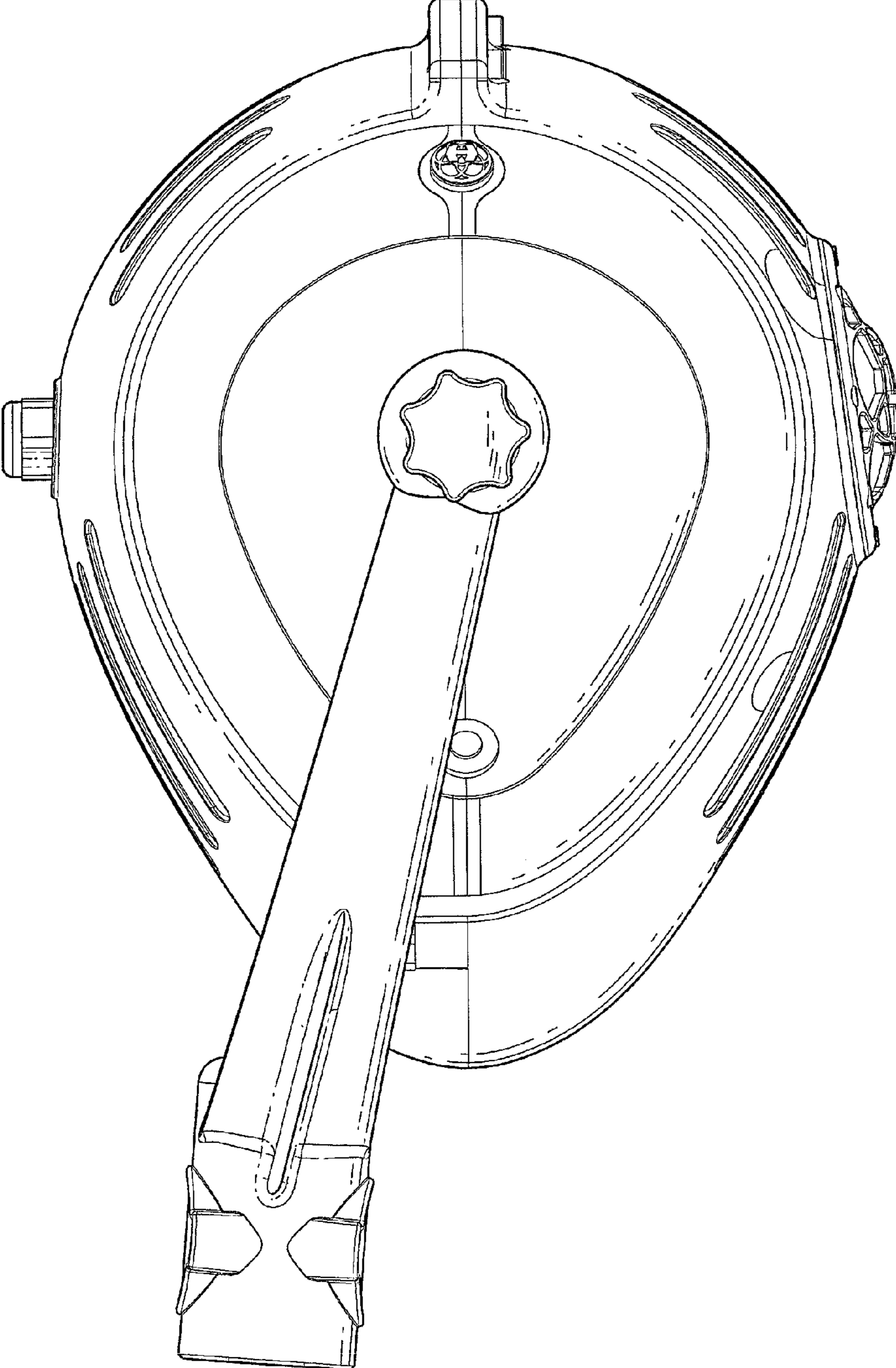


FIG. 3

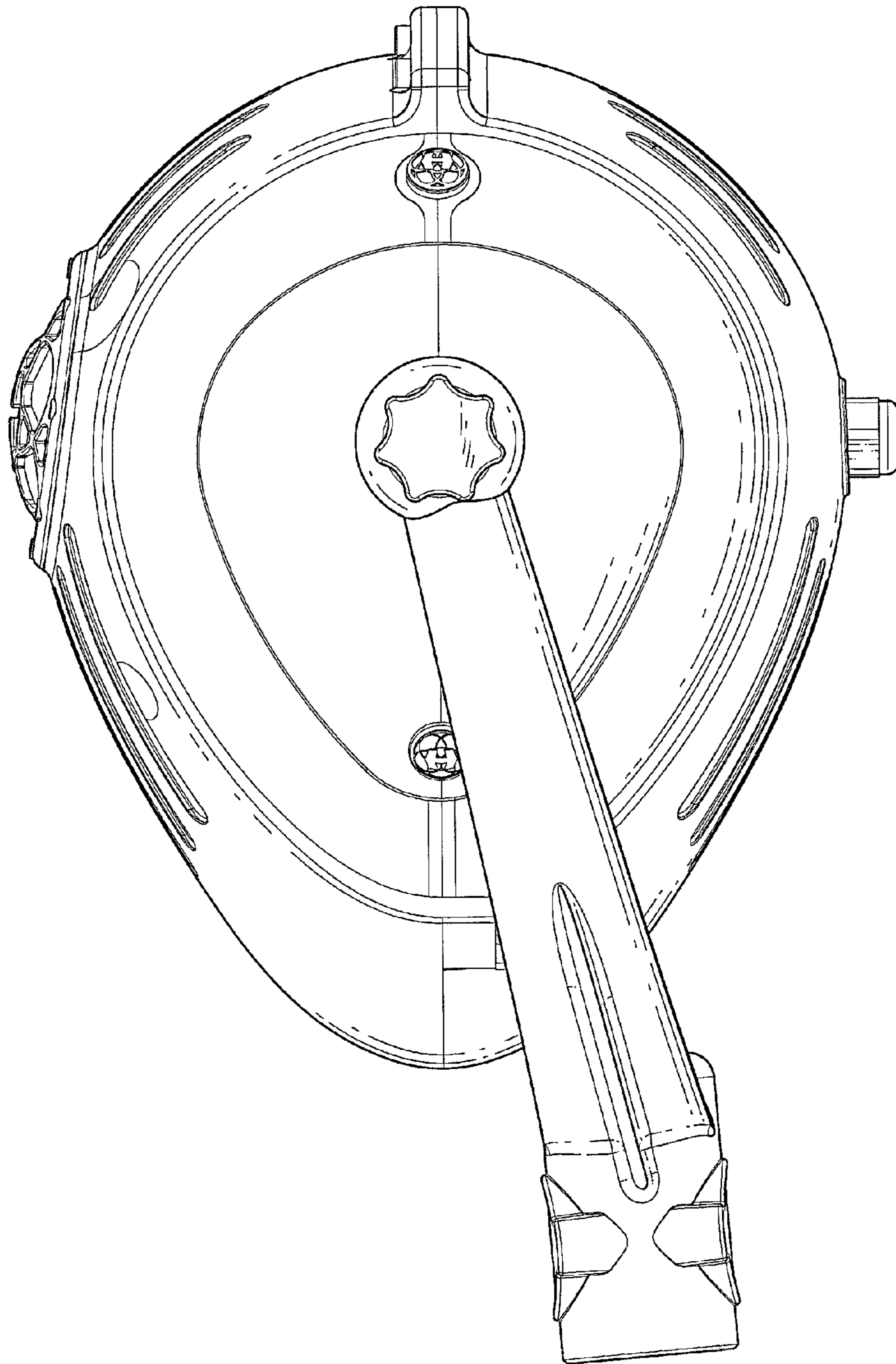


FIG. 4

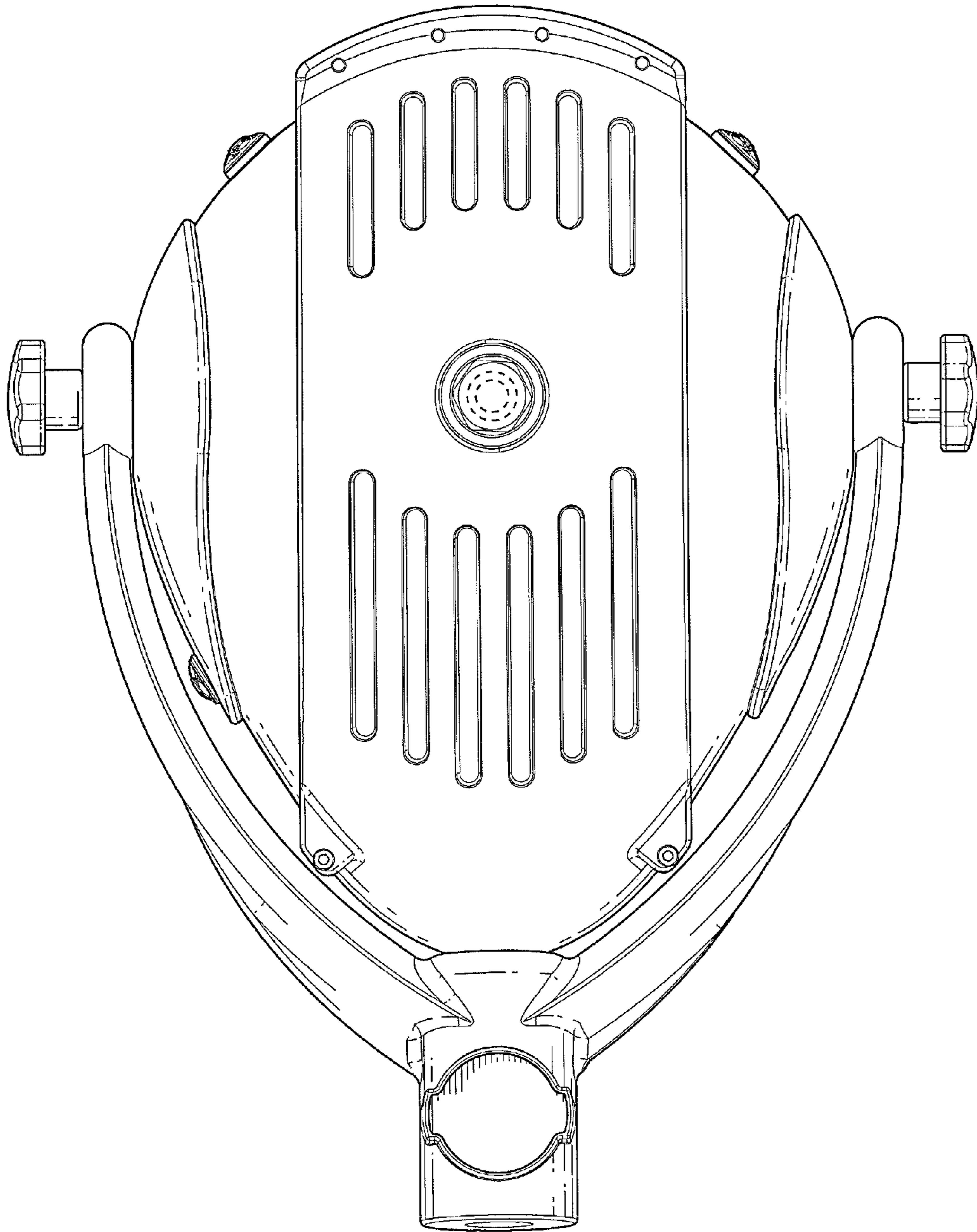


FIG. 5

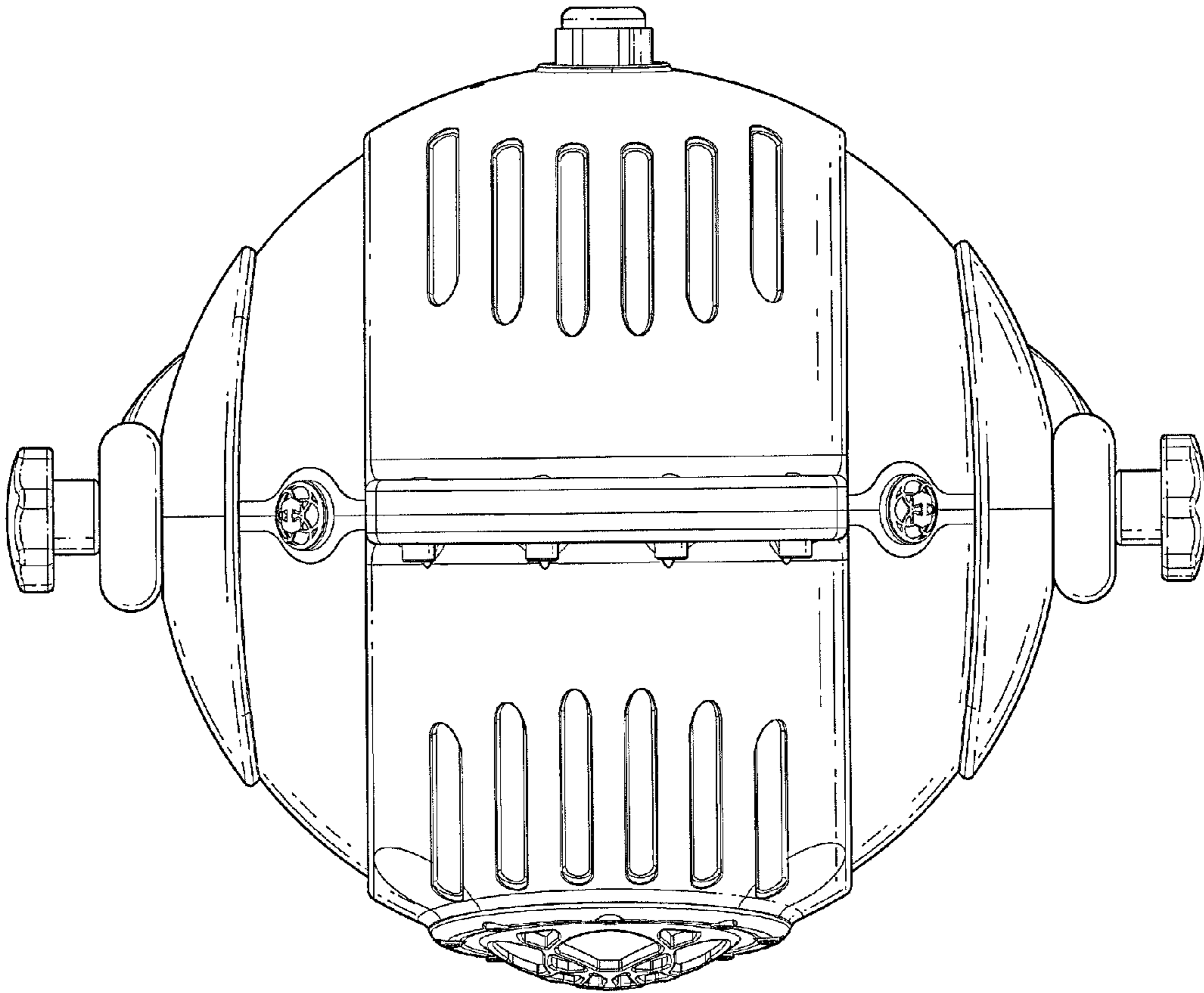


FIG. 6

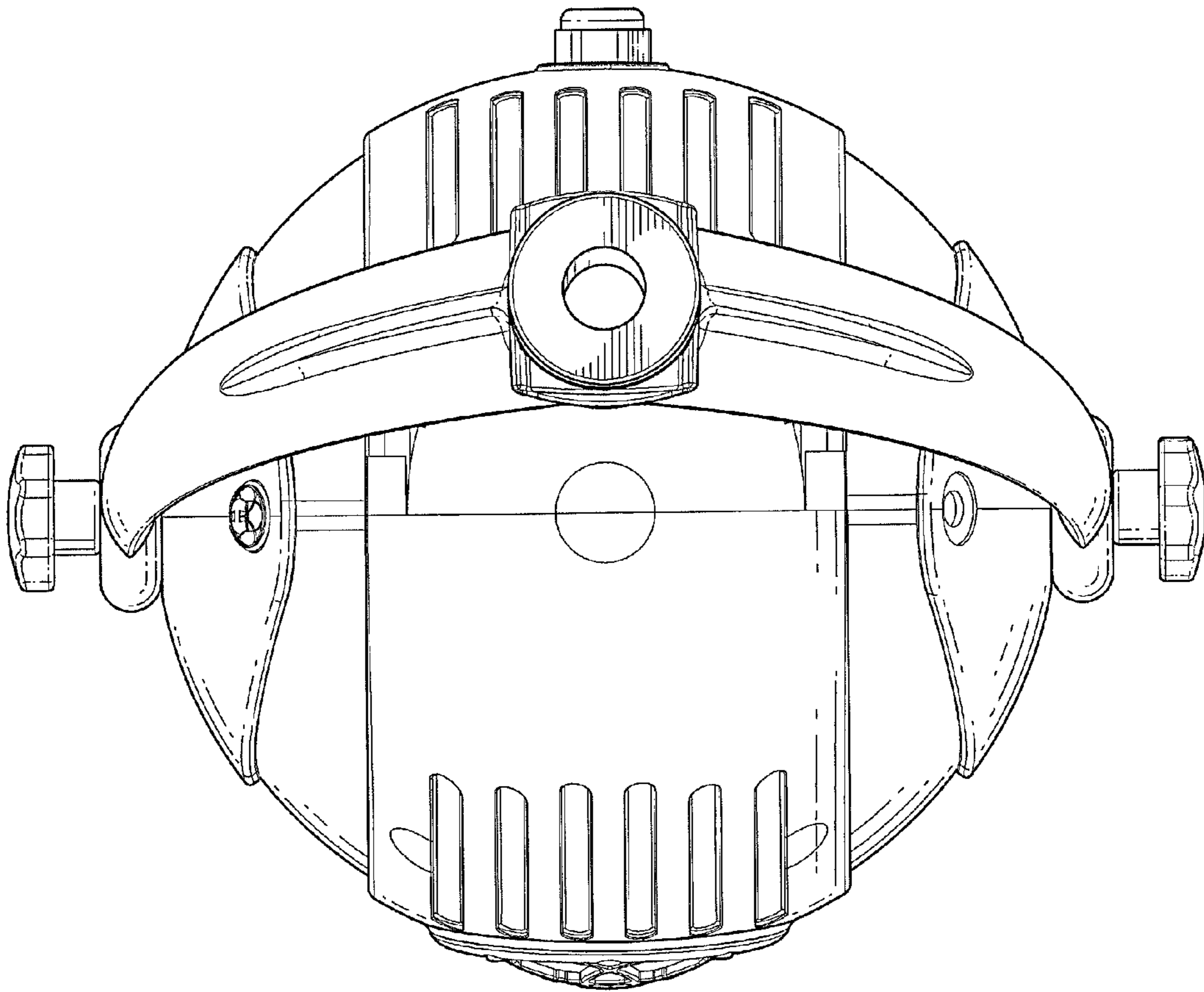


FIG. 7