



US00D704167S

(12) **United States Design Patent**
Akana et al.

(10) **Patent No.:** **US D704,167 S**
(45) **Date of Patent:** **** May 6, 2014**

(54) **REMOTE CONTROL**

(21) Appl. No.: **29/432,443**

(22) Filed: **Oct. 15, 2012**

(71) Applicants: **Jody Akana**, San Francisco, CA (US);
Bartley K. Andre, Menlo Park, CA (US);
Jeremy Bataillou, San Francisco, CA (US);
Daniel J. Coster, San Francisco, CA (US);
Daniele De Iuliis, San Francisco, CA (US);
M. Evans Hankey, San Francisco, CA (US);
Richard P. Howarth, San Francisco, CA (US);
Jonathan P. Ive, San Francisco, CA (US);
Duncan Robert Kerr, San Francisco, CA (US);
Shin Nishibori, Kailua, HI (US);
Matthew Dean Rohrbach, San Francisco, CA (US);
Peter Russell-Clarke, San Francisco, CA (US);
Christopher J. Stringer, Woodside, CA (US);
Eugene Antony Whang, San Francisco, CA (US);
Rico Zorkendorfer, San Francisco, CA (US)

Related U.S. Application Data

(60) Continuation of application No. 29/404,056, filed on Oct. 14, 2011, now Pat. No. Des. 669,452, which is a continuation of application No. 29/391,544, filed on May 10, 2011, now Pat. No. Des. 649,138, which is a continuation of application No. 29/366,344, filed on Jul. 23, 2010, now Pat. No. Des. 642,161, which is a division of application No. 29/345,286, filed on Oct. 13, 2009, now Pat. No. Des. 620,456.

(51) **LOC (10) Cl.** **14-03**

(52) **U.S. Cl.**
USPC **D14/218**

(58) **Field of Classification Search**
USPC D32/50, 51, 39-45; 15/116.1, 116.2, 15/119.2, 147.1, 147.2, 150, 208, 209.1, 15/210.1, 228; 401/137-140; 210/767
See application file for complete search history.

(72) Inventors: **Jody Akana**, San Francisco, CA (US);
Bartley K. Andre, Menlo Park, CA (US);
Jeremy Bataillou, San Francisco, CA (US);
Daniel J. Coster, San Francisco, CA (US);
Daniele De Iuliis, San Francisco, CA (US);
M. Evans Hankey, San Francisco, CA (US);
Richard P. Howarth, San Francisco, CA (US);
Jonathan P. Ive, San Francisco, CA (US);
Duncan Robert Kerr, San Francisco, CA (US);
Shin Nishibori, Kailua, HI (US);
Matthew Dean Rohrbach, San Francisco, CA (US);
Peter Russell-Clarke, San Francisco, CA (US);
Christopher J. Stringer, Woodside, CA (US);
Eugene Antony Whang, San Francisco, CA (US);
Rico Zorkendorfer, San Francisco, CA (US)

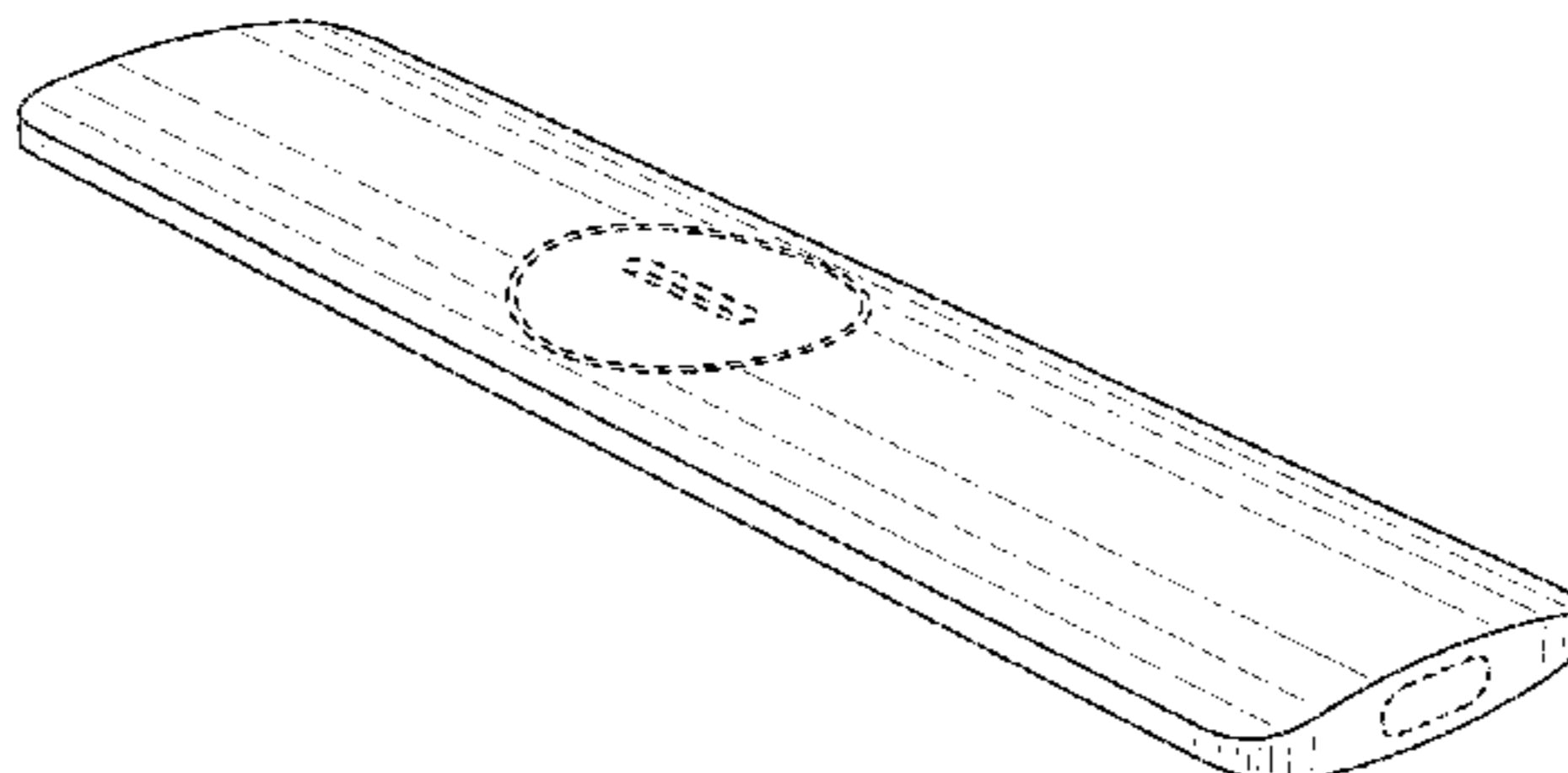
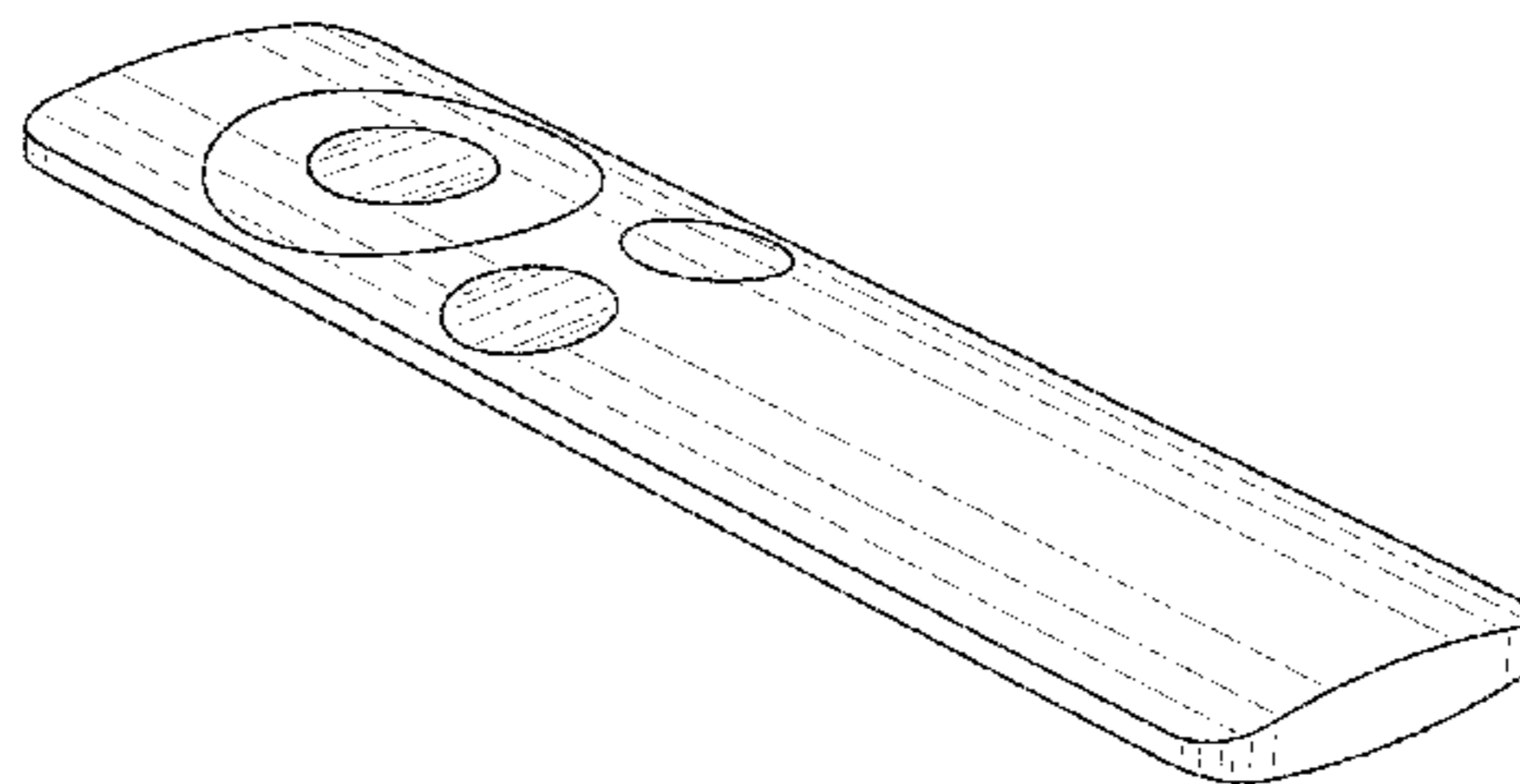
(56) **References Cited**

U.S. PATENT DOCUMENTS

2,521,423 A	9/1950	Stuck
D299,922 S	2/1989	Schremmer
D381,663 S	7/1997	Friis
D396,860 S	8/1998	Yasutomi
D433,404 S	11/2000	Thakur
D475,359 S	6/2003	Hirose
D477,590 S	7/2003	Ahn
D496,031 S	9/2004	Ma et al.
D500,301 S	12/2004	Deguchi
D500,485 S	1/2005	Deguchi
D506,476 S	6/2005	Andre et al.
D509,480 S	9/2005	Li
D529,044 S	9/2006	Andre et al.
D531,586 S	11/2006	Poulet
D534,921 S	1/2007	Andre et al.
D539,814 S	4/2007	Andre et al.
D547,327 S	7/2007	Kin
D548,195 S	8/2007	Poulet
D550,703 S	9/2007	Koizumi
D550,714 S	9/2007	Ferraboshi

(73) Assignee: **Apple Inc.**, Cupertino, CA (US)

(**) Term: **14 Years**



D551,215 S	9/2007	Lee et al.	
D556,154 S	11/2007	Poulet et al.	
D557,666 S	12/2007	Schroter	
D560,230 S	1/2008	Yagi	
D567,801 S	4/2008	Trappler	
D568,338 S	5/2008	Andre et al.	
D568,827 S	5/2008	Ikeda et al.	
D571,305 S	6/2008	Thursfield	
D578,168 S	10/2008	Looks et al.	
D584,292 S	1/2009	Knight	
D585,077 S	1/2009	Sheba et al.	
D585,876 S	2/2009	Griffin	
D588,611 S	3/2009	Oh et al.	
D589,963 S	4/2009	Sheba et al.	
D592,677 S	5/2009	Sheba et al.	
D595,669 S	7/2009	Endo et al.	
D596,163 S	7/2009	Madonna et al.	
D602,473 S	10/2009	Moller et al.	
D604,713 S	11/2009	Andre et al.	
D604,723 S	11/2009	Bodley et al.	
D605,635 S	12/2009	Edahiro et al.	
D606,519 S	12/2009	Painter	
D608,303 S	1/2010	Klausing et al.	
D608,765 S	1/2010	Tsai et al.	
D609,695 S	2/2010	Cigliano et al.	
D611,433 S	3/2010	Tang et al.	
D622,696 S	8/2010	Akana et al.	
D626,530 S	11/2010	Andre et al.	
D631,851 S	2/2011	Smith et al.	
D647,510 S *	10/2011	Maier et al.	D14/218
D647,511 S *	10/2011	Maier et al.	D14/218
D651,589 S	1/2012	Fischer	
D673,137 S *	12/2012	Maier et al.	D14/218
2004/0125078 A1	7/2004	Nishimori et al.	
2005/0024321 A1	2/2005	Tsai	

FOREIGN PATENT DOCUMENTS

JP D1204966 5/2004

* cited by examiner

Primary Examiner — John Windmuller
 (74) *Attorney, Agent, or Firm* — Sterne, Kessler, Goldstein & Fox P.L.L.C.

(57) **CLAIM**

The ornamental design for a remote control, as shown and described.

DESCRIPTION

FIG. 1 is a bottom front perspective view of a remote control showing our new design;
 FIG. 2 is a bottom rear perspective view thereof;
 FIG. 3 is top front perspective view thereof;
 FIG. 4 is top rear perspective view thereof;
 FIG. 5 is a front view thereof;
 FIG. 6 is a rear view thereof;
 FIG. 7 is a left side view thereof;
 FIG. 8 is right side view thereof;
 FIG. 9 is a top plan view thereof; and,
 FIG. 10 is a bottom plan view thereof.
 The shade lines in the Figures show contour and not surface ornamentation.
 The broken lines in the Figures show portions of the remote control which form no part of the claimed design.

1 Claim, 4 Drawing Sheets

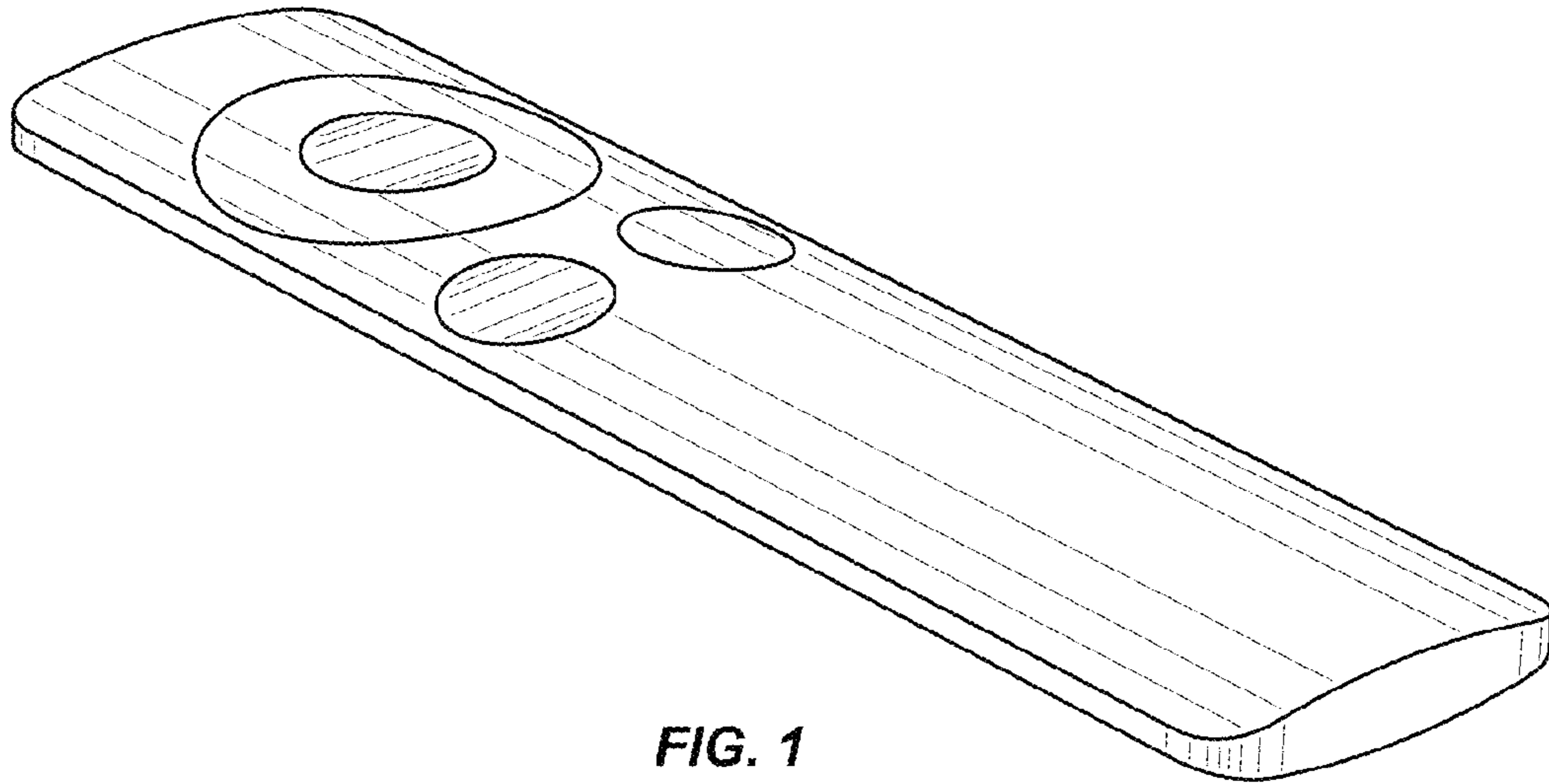


FIG. 1

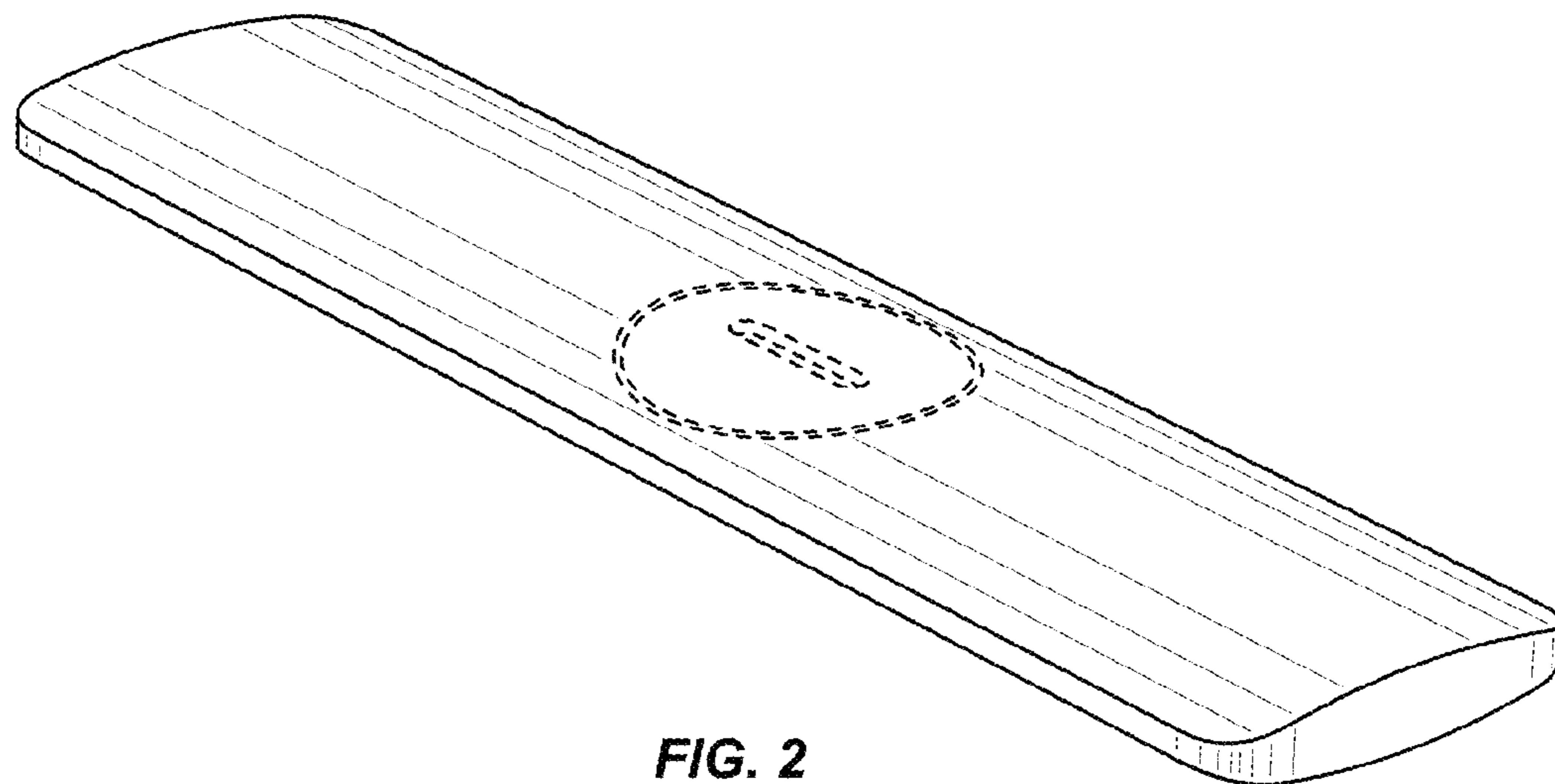


FIG. 2

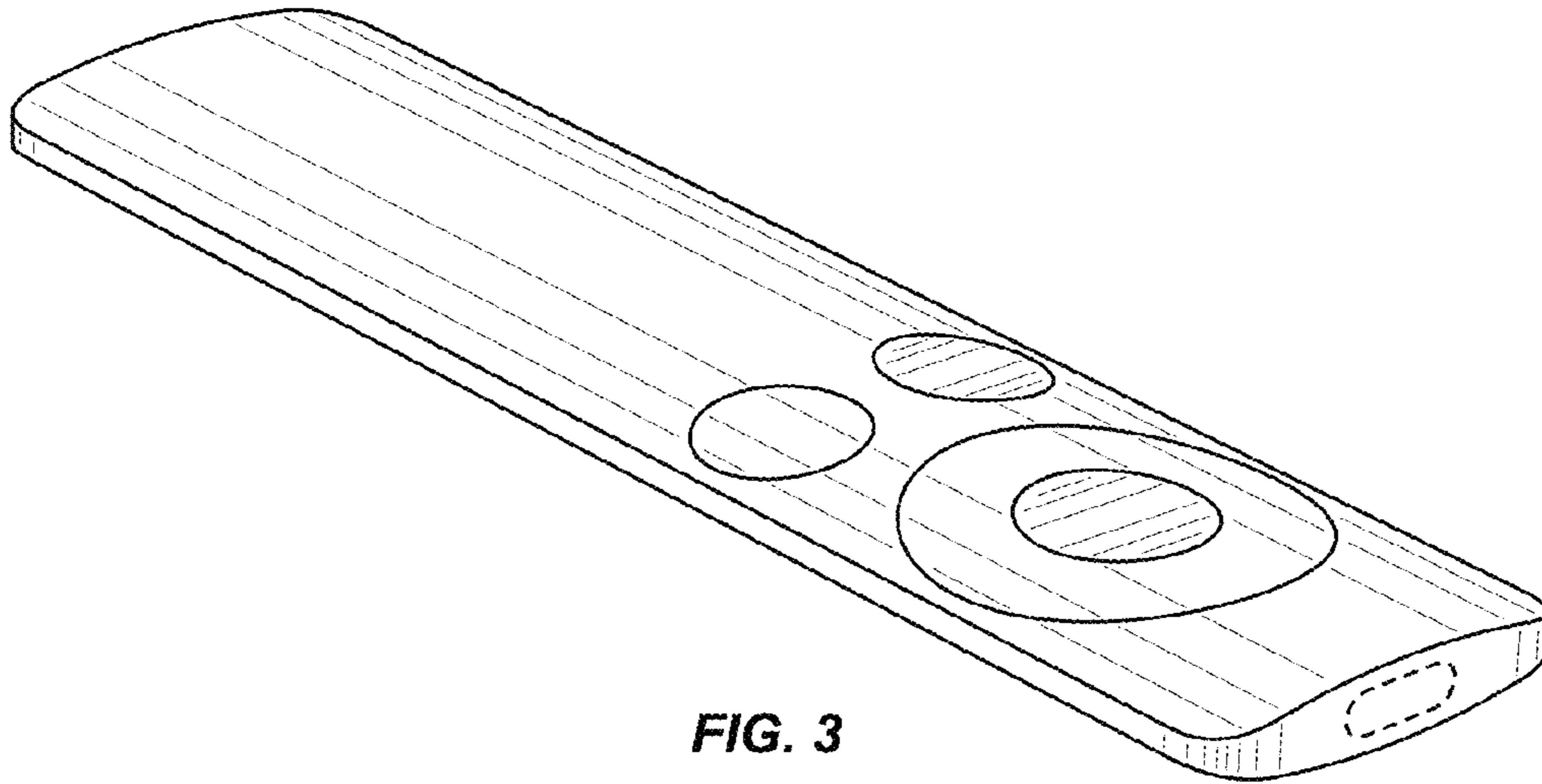


FIG. 3

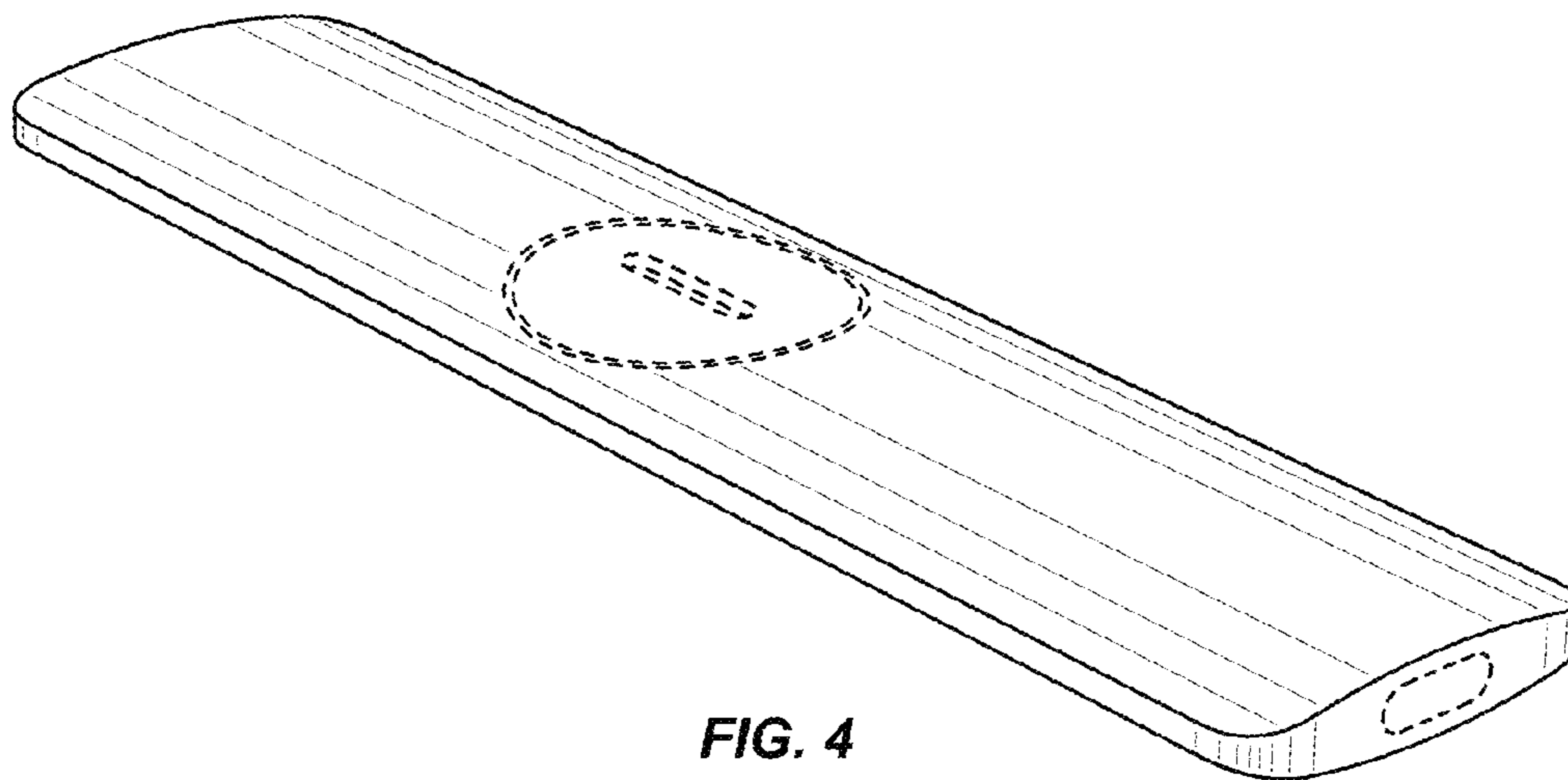


FIG. 4

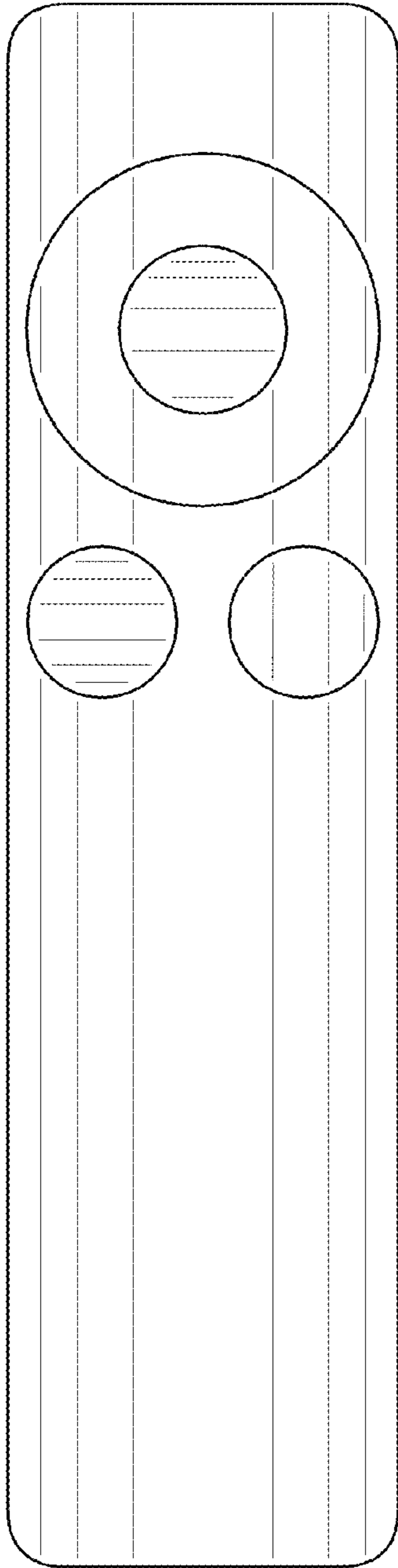


FIG. 5

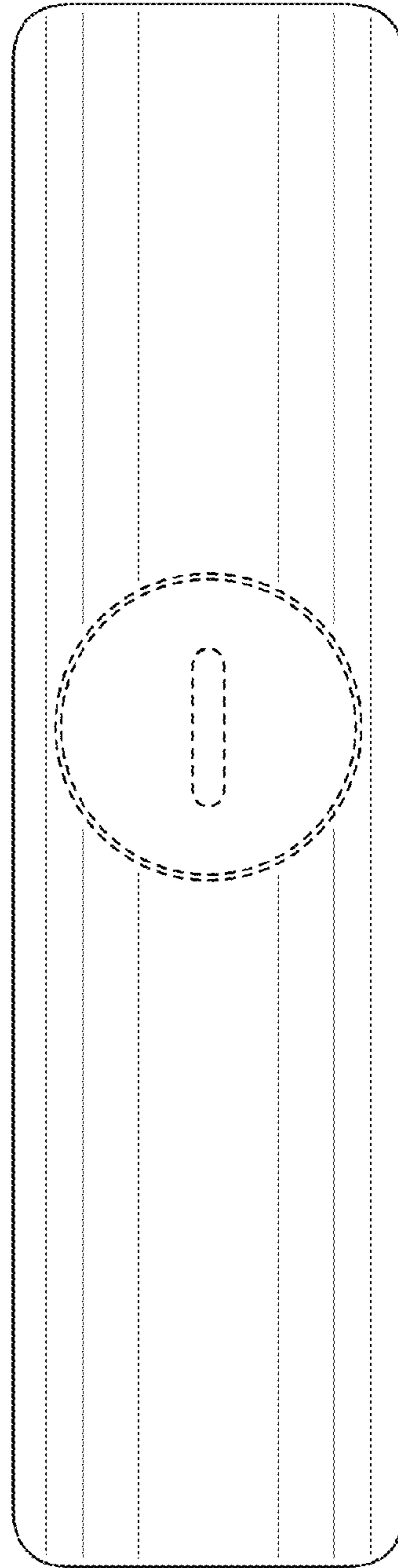


FIG. 6

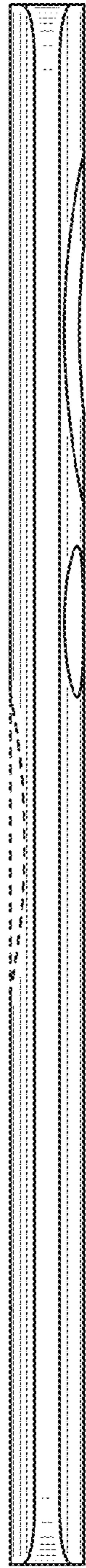


FIG. 7

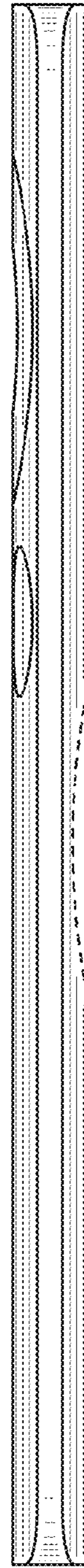


FIG. 8

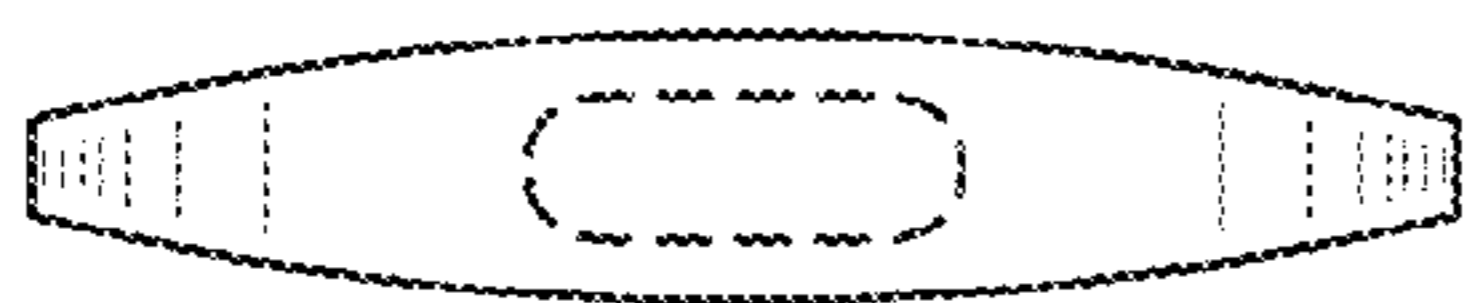


FIG. 9



FIG. 10

UNITED STATES PATENT AND TRADEMARK OFFICE
CERTIFICATE OF CORRECTION

PATENT NO. : D704,167 S
APPLICATION NO. : 29/432443
DATED : May 6, 2014
INVENTOR(S) : Jody Akana et al.

Page 1 of 6

It is certified that error appears in the above-identified patent and that said Letters Patent is hereby corrected as shown below:

On the Title Page

Delete Title Page, and replace with new Title Page. (Attached)

Item (71) Applications:

Please replace all currently listed Applicants with --Apple Inc.--.

Item (72) Inventors:

Line 2, please change "Menlo Park" to --Palo Alto--; and

Line 18, please change "Zorkendorfer," to --Zörkendörfer--.

In the Drawings

Delete Drawing Sheets 1-4, and replace with Drawing Sheets 1-4. (Attached)

Signed and Sealed this
Twenty-second Day of July, 2014



Michelle K. Lee
Deputy Director of the United States Patent and Trademark Office

(12) **United States Design Patent** (10) **Patent No.:** **US D704,167 S**
Akana et al. (45) **Date of Patent:** **** May 6, 2014**

(54) **REMOTE CONTROL**

(21) **Appl. No.:** **29/432,443**

(22) **Filed:** **Oct. 15, 2012**

(71) **Applicants:** **Jody Akana, San Francisco, CA (US); Bartley K. Andre, Menlo Park, CA (US); Jeremy Bataillon, San Francisco, CA (US); Daniel J. Coster, San Francisco, CA (US); Daniele De Iullis, San Francisco, CA (US); M. Evans Hankey, San Francisco, CA (US); Richard P. Howarth, San Francisco, CA (US); Jonathan P. Ive, San Francisco, CA (US); Duncan Robert Kerr, San Francisco, CA (US); Shin Nishibori, Kailua, HI (US); Matthew Dean Rohrbach, San Francisco, CA (US); Peter Russell-Clarke, San Francisco, CA (US); Christopher J. Stringer, Woodside, CA (US); Eugene Antony Whang, San Francisco, CA (US); Rico Zorkendorfer, San Francisco, CA (US)**

Related U.S. Application Data

(60) Continuation of application No. 29/404,056, filed on Oct. 14, 2011, now Pat. No. Des. 669,452, which is a continuation of application No. 29/391,544, filed on May 10, 2011, now Pat. No. Des. 649,138, which is a continuation of application No. 29/366,344, filed on Jul. 23, 2010, now Pat. No. Des. 642,161, which is a division of application No. 29/345,286, filed on Oct. 13, 2009, now Pat. No. Des. 620,456.

(51) **LOC (10) CI.** **14-03**

(52) **U.S. CI.** **D14/218**

(58) **Field of Classification Search**
 USPC **D32/50, 51, 39-45; 15/116.1, 116.2, 15/119.2, 147.1, 147.2, 150, 208, 209.1, 15/210.1, 228; 401/137-140; 210/767**
 See application file for complete search history.

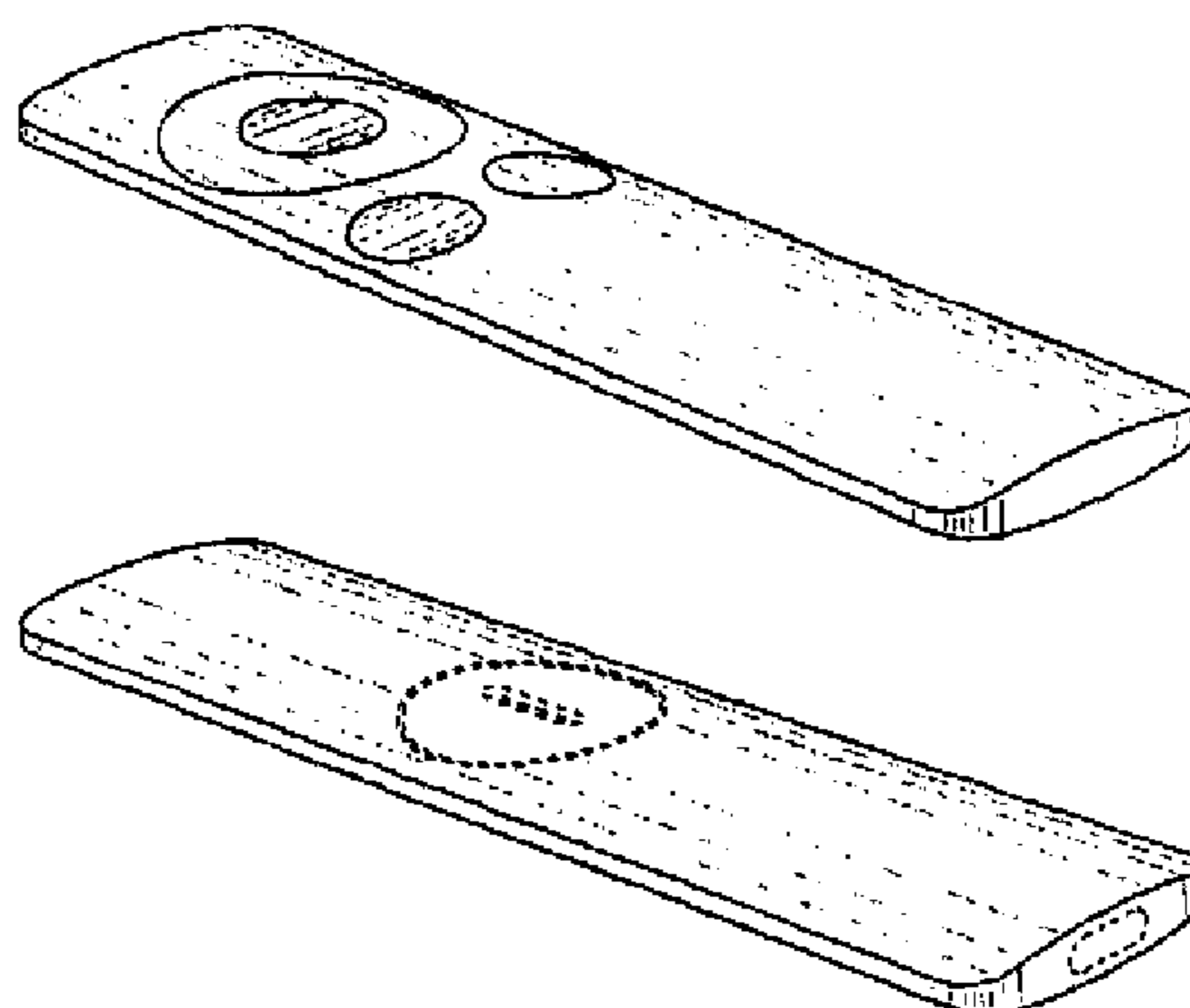
(72) **Inventors:** **Jody Akana, San Francisco, CA (US); Bartley K. Andre, Menlo Park, CA (US); Jeremy Bataillon, San Francisco, CA (US); Daniel J. Coster, San Francisco, CA (US); Daniele De Iullis, San Francisco, CA (US); M. Evans Hankey, San Francisco, CA (US); Richard P. Howarth, San Francisco, CA (US); Jonathan P. Ive, San Francisco, CA (US); Duncan Robert Kerr, San Francisco, CA (US); Shin Nishibori, Kailua, HI (US); Matthew Dean Rohrbach, San Francisco, CA (US); Peter Russell-Clarke, San Francisco, CA (US); Christopher J. Stringer, Woodside, CA (US); Eugene Antony Whang, San Francisco, CA (US); Rico Zorkendorfer, San Francisco, CA (US)**

(56) **References Cited**
U.S. PATENT DOCUMENTS

2,521,423 A	9/1950	Stuck
D299,922 S	2/1989	Schremmer
D381,663 S	7/1997	Friis
D396,860 S	8/1998	Yasutomi
D433,404 S	11/2000	Thakur
D475,359 S	6/2003	Hirose
D477,590 S	7/2003	Ahn
D496,031 S	9/2004	Ma et al.
D500,301 S	12/2004	Deguchi
D500,485 S	1/2005	Deguchi
D506,476 S	6/2005	Andre et al.
D509,480 S	9/2005	Li
D529,044 S	9/2006	Andre et al.
D531,586 S	11/2006	Poulet
D534,921 S	1/2007	Andre et al.
D539,814 S	4/2007	Andre et al.
D547,327 S	7/2007	Kin
D548,195 S	8/2007	Poulet
D550,703 S	9/2007	Koizumi
D550,714 S	9/2007	Ferraboshi

(73) **Assignee:** **Apple Inc., Cupertino, CA (US)**

(**) **Term:** **14 Years**



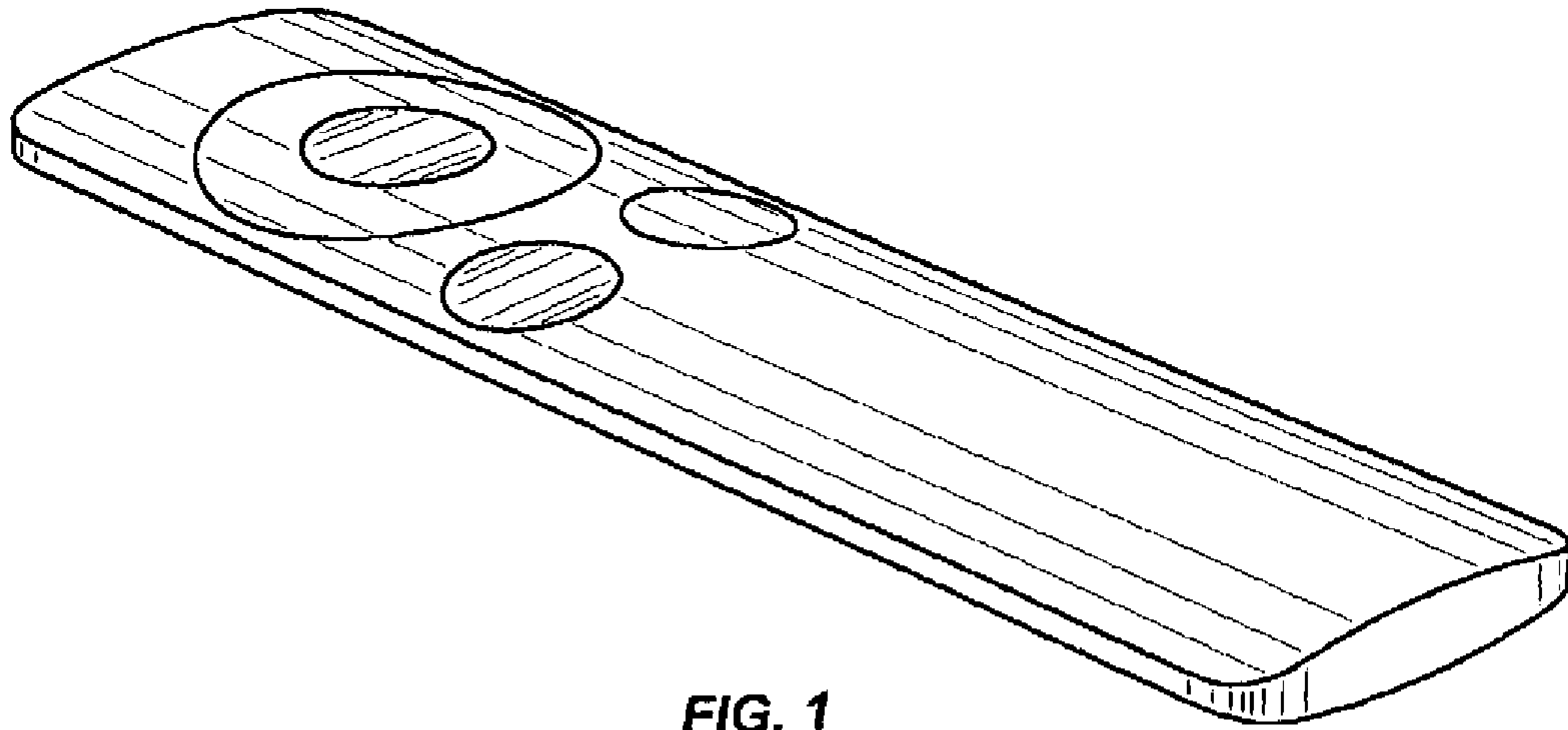


FIG. 1

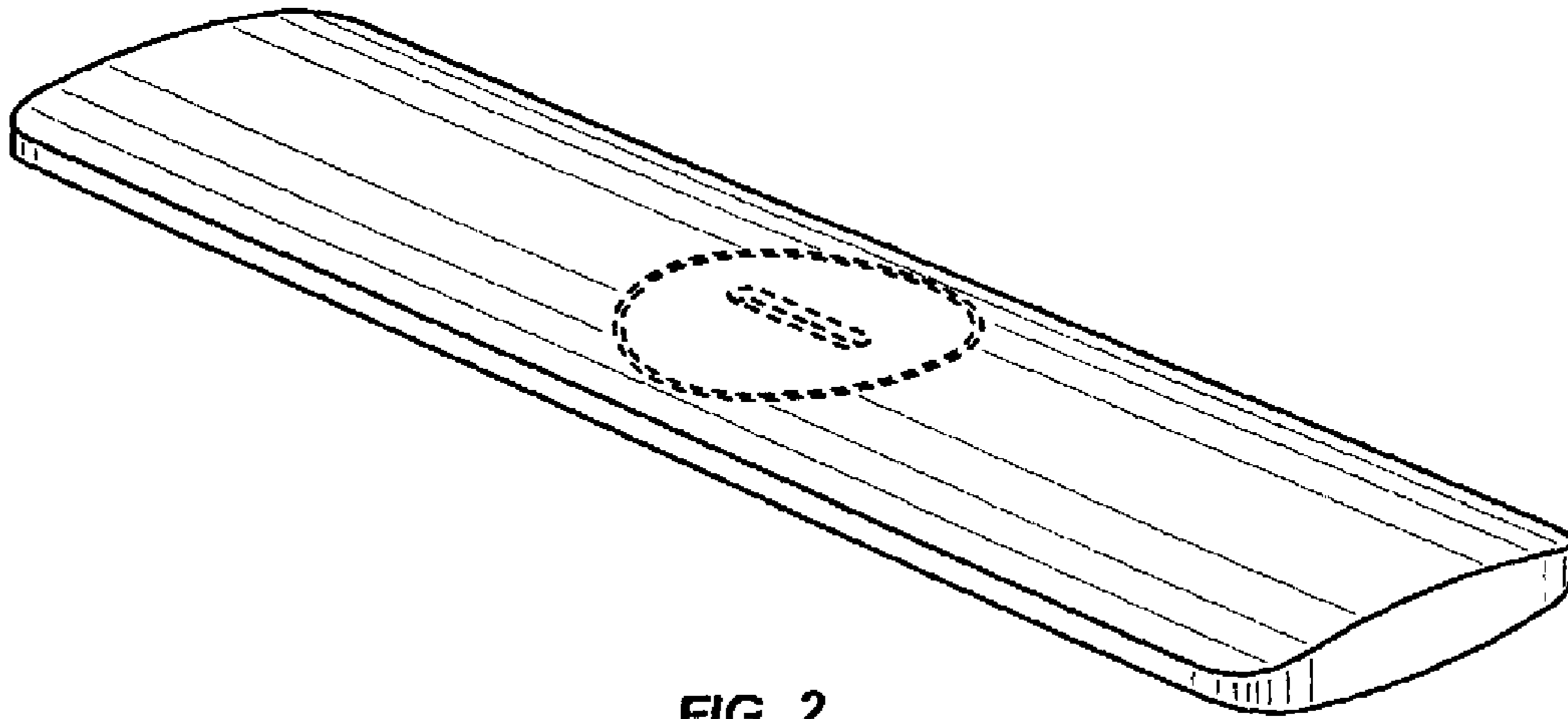
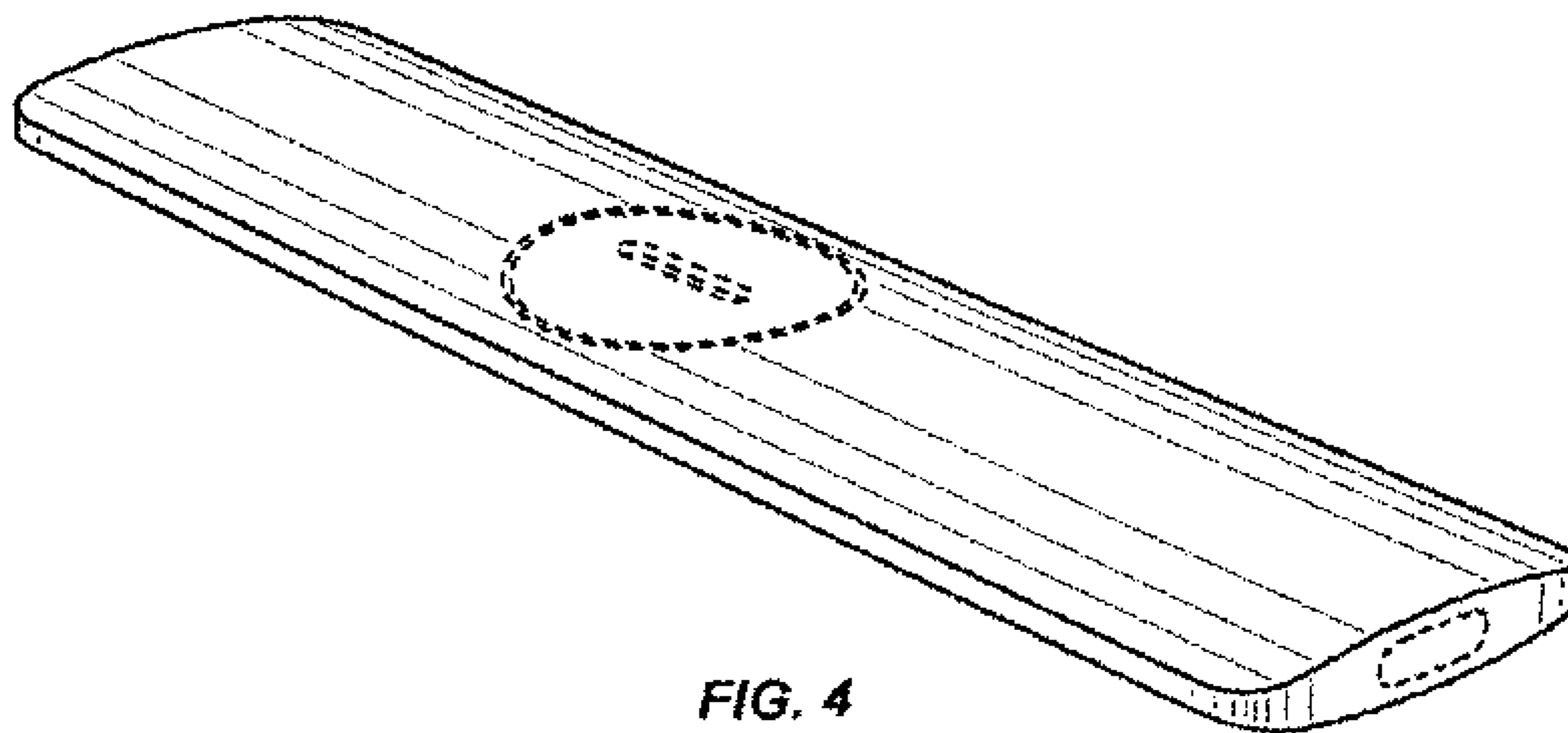
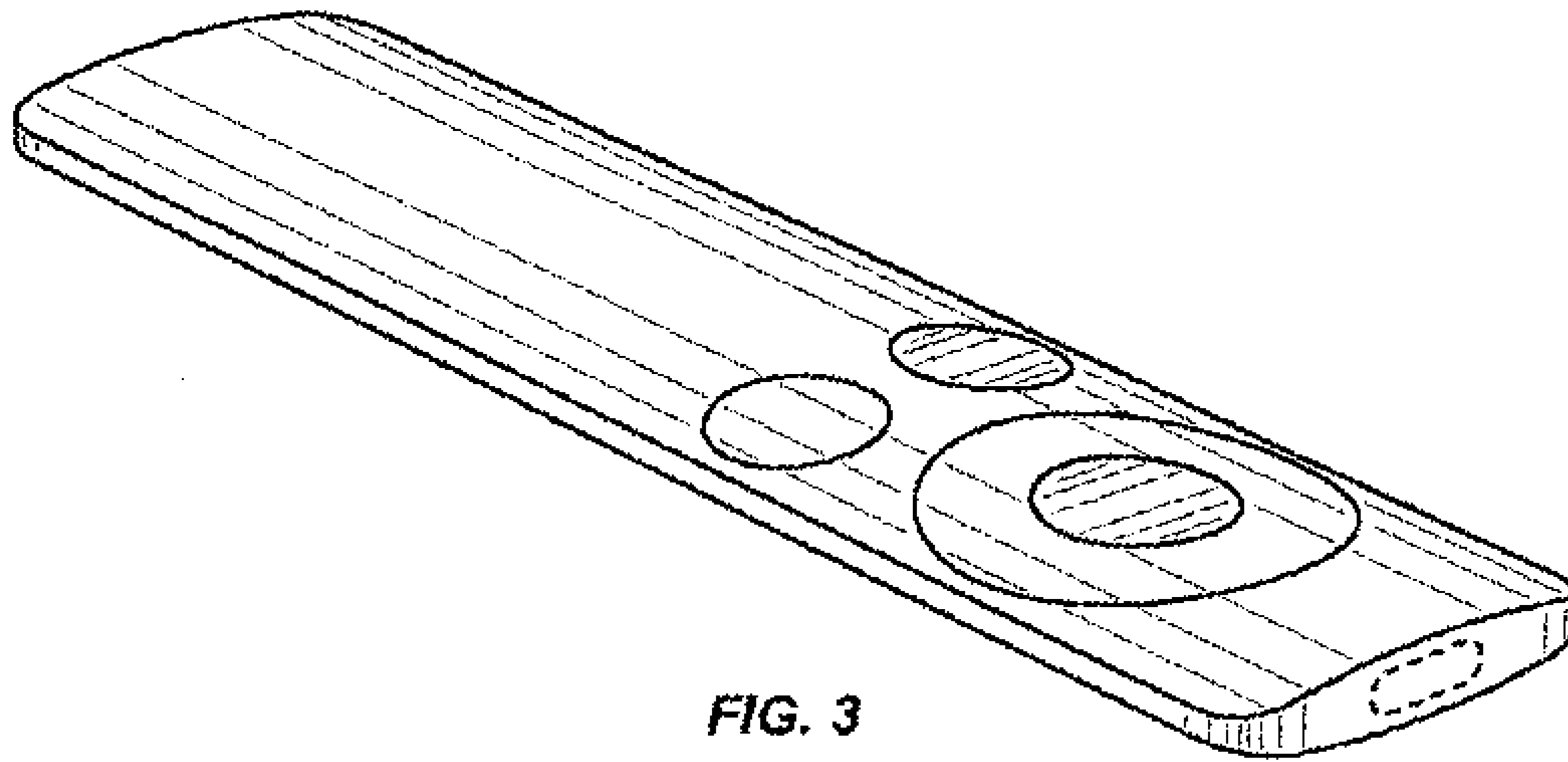


FIG. 2



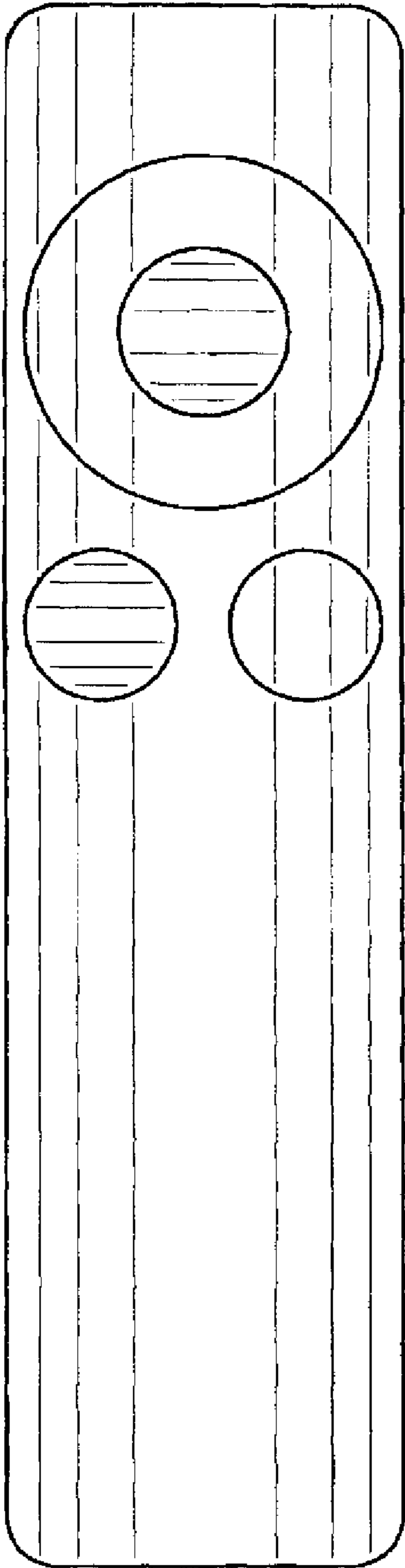


FIG. 5

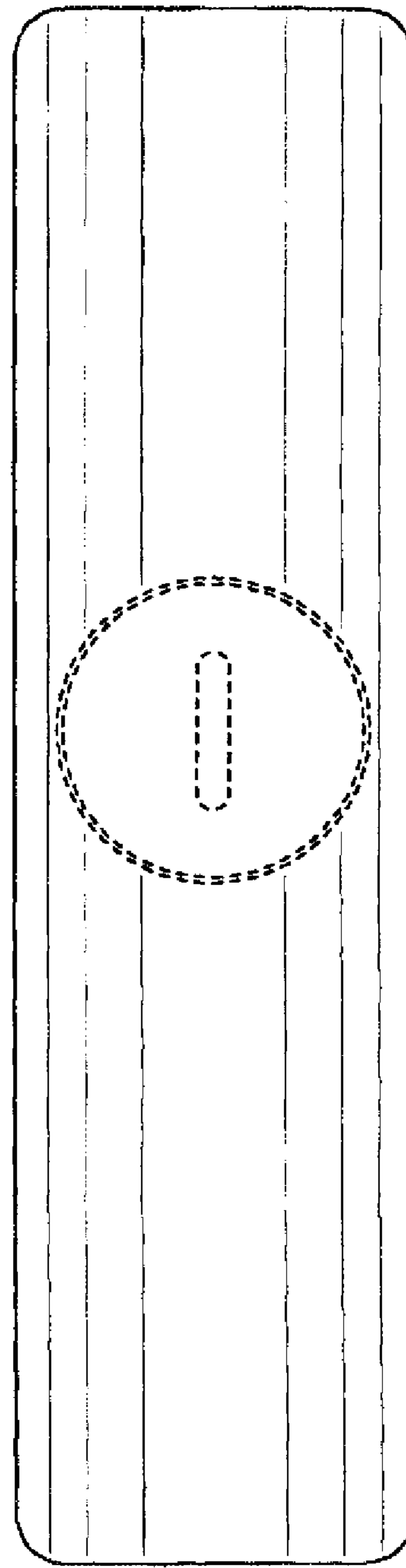


FIG. 6



FIG. 7



FIG. 8

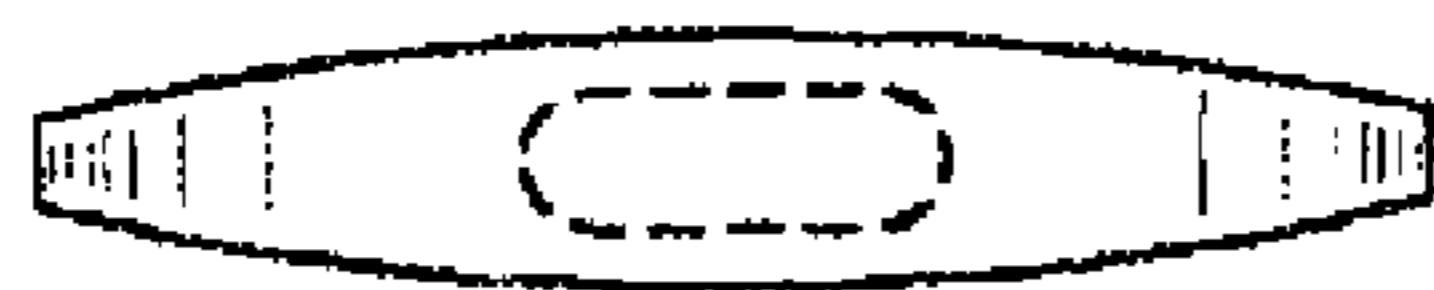


FIG. 9



FIG. 10