



US00D704164S

(12) **United States Design Patent**  
**Green et al.**

(10) **Patent No.:** **US D704,164 S**

(45) **Date of Patent:** **\*\* May 6, 2014**

(54) **AUDIO MIXING DEVICE**

(71) Applicant: **My MYK Pty Limited**, Mosman (AU)

(72) Inventors: **David William Green**, Mosman (AU);  
**Ingrid Annetta Maria Shears**, Mosman (AU)

(73) Assignee: **My MYK Pty Limited**, New South Wales (AU)

(\*\*) Term: **14 Years**

(21) Appl. No.: **29/433,780**

(22) Filed: **Oct. 4, 2012**

(51) **LOC (10) Cl.** ..... **14-03**

(52) **U.S. Cl.**  
USPC ..... **D14/217**

(58) **Field of Classification Search**  
USPC ..... D14/162, 167, 168, 175, 188, 196-198,  
D14/217, 257, 258, 434, 496; 13/163, 164;  
84/625, 660, 697; 381/119; 455/350  
See application file for complete search history.

(56) **References Cited**

**U.S. PATENT DOCUMENTS**

D383,482 S \* 9/1997 Katsumata ..... D17/99  
D481,374 S \* 10/2003 Lee ..... D14/188

D490,070 S \* 5/2004 Lee ..... D14/188  
D494,144 S \* 8/2004 Guzman et al. .... D13/168  
D518,086 S \* 3/2006 Ito ..... D17/99  
D596,614 S \* 7/2009 Wilson ..... D14/188  
D596,615 S \* 7/2009 Wilson ..... D14/188  
D609,695 S \* 2/2010 Cigliano et al. .... D14/205  
D627,330 S \* 11/2010 Otsuka ..... D14/192  
D646,259 S \* 10/2011 Daniel ..... D14/155  
D656,124 S \* 3/2012 Smith et al. .... D14/204

\* cited by examiner

*Primary Examiner* — Keli L Hill

(74) *Attorney, Agent, or Firm* — Ladas & Parry, LLP

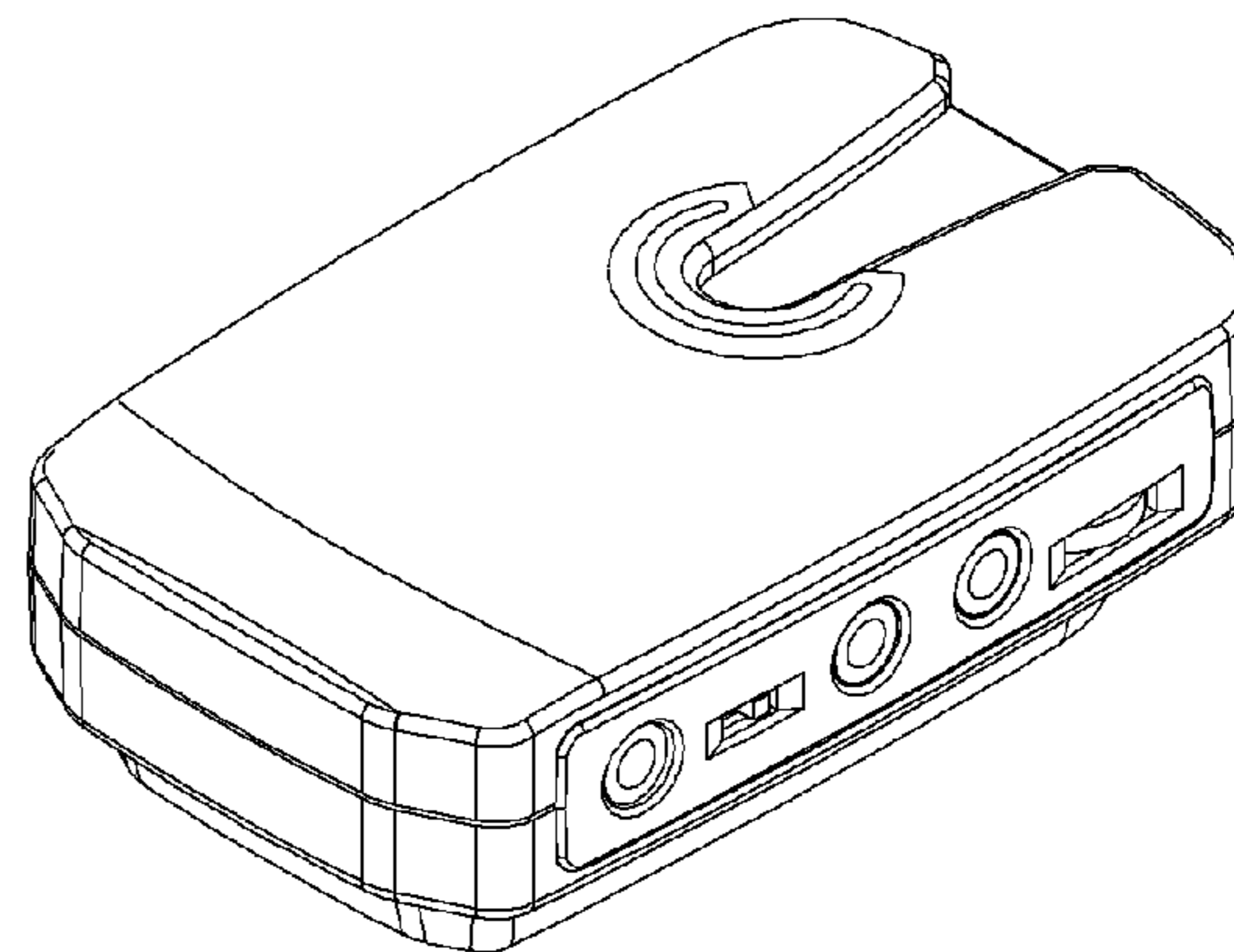
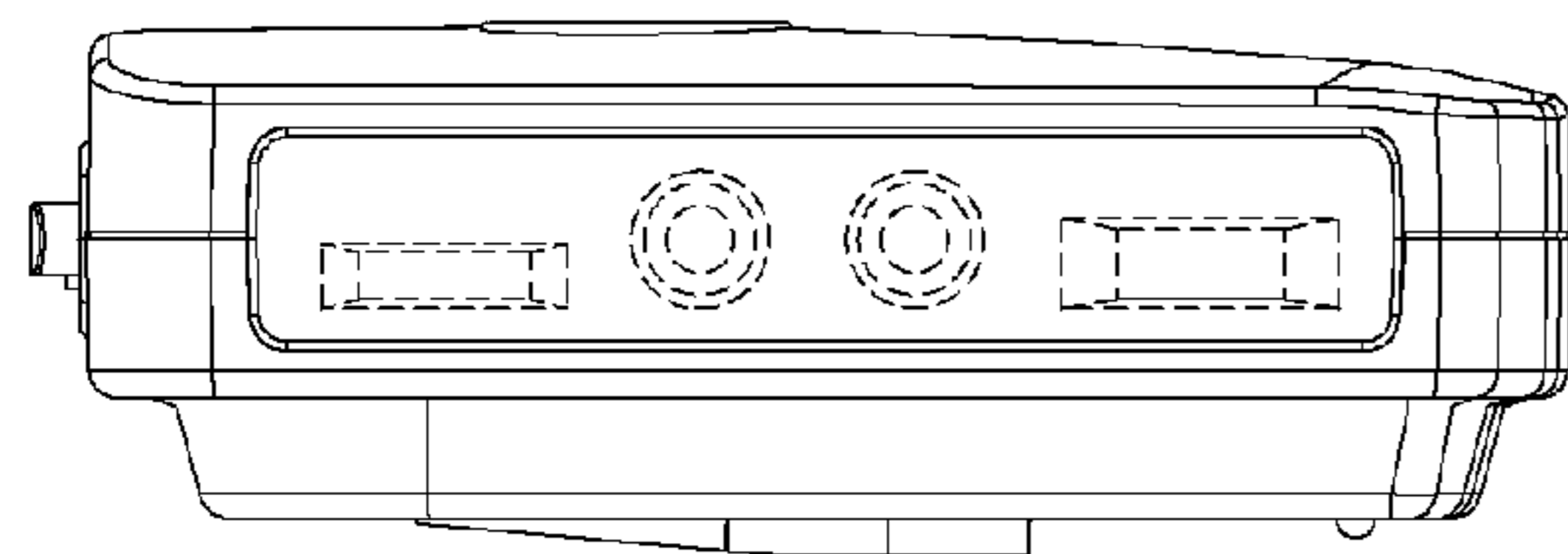
(57) **CLAIM**

The ornamental design for an audio mixing device, as shown and described.

**DESCRIPTION**

FIG. 1 is a front view of an “audio mixing device” in accordance with the design;  
FIG. 2 is a rear view of the design thereof;  
FIG. 3 is a right side view of the design thereof;  
FIG. 4 is a left side view of the design thereof;  
FIG. 5 is a top view of the design thereof;  
FIG. 6 is a bottom view of the design thereof; and,  
FIG. 7 is a perspective view of the design thereof.  
Any broken line illustration in the drawings is not part of the claimed design.

**1 Claim, 7 Drawing Sheets**



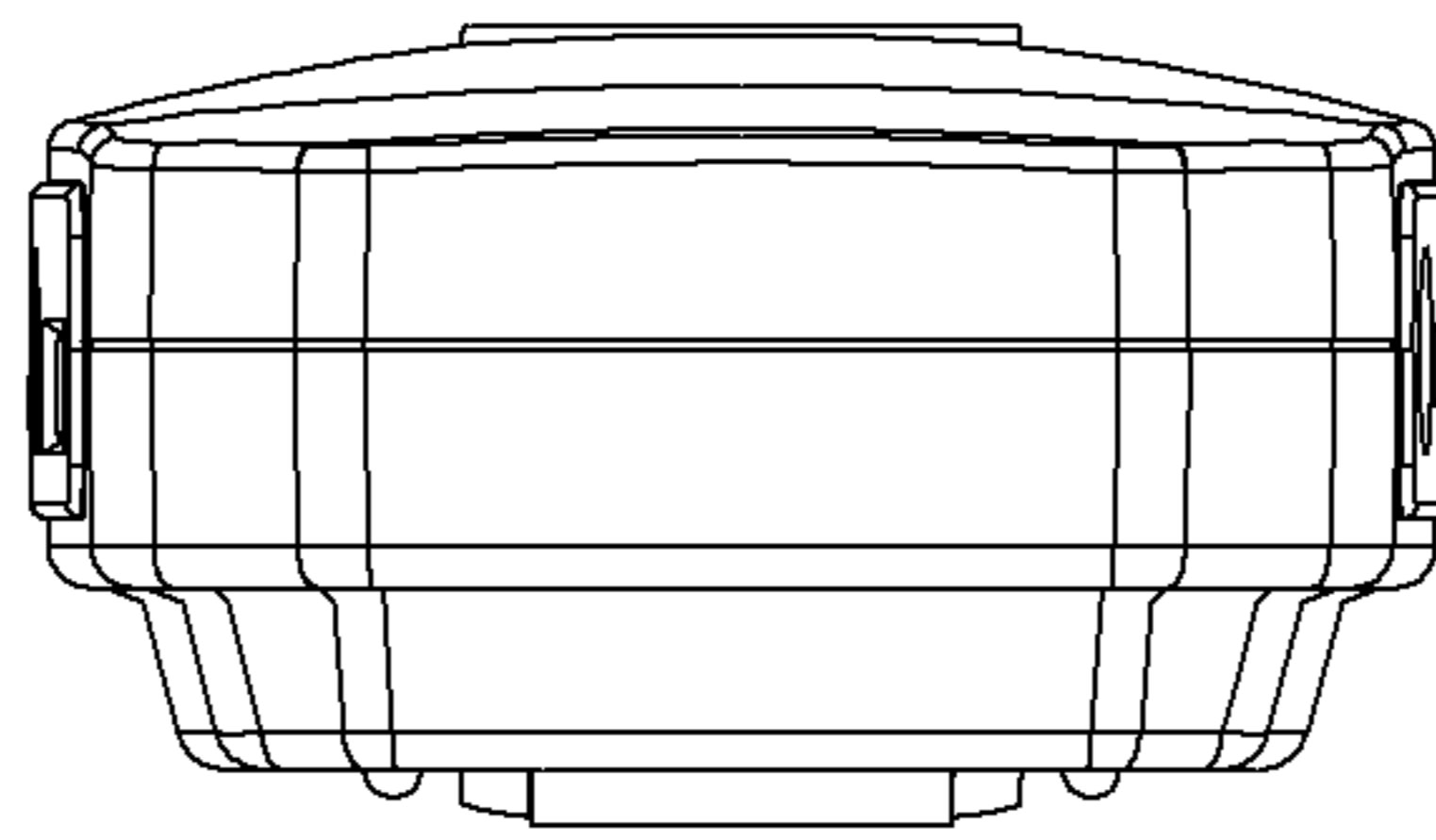


FIG. 1

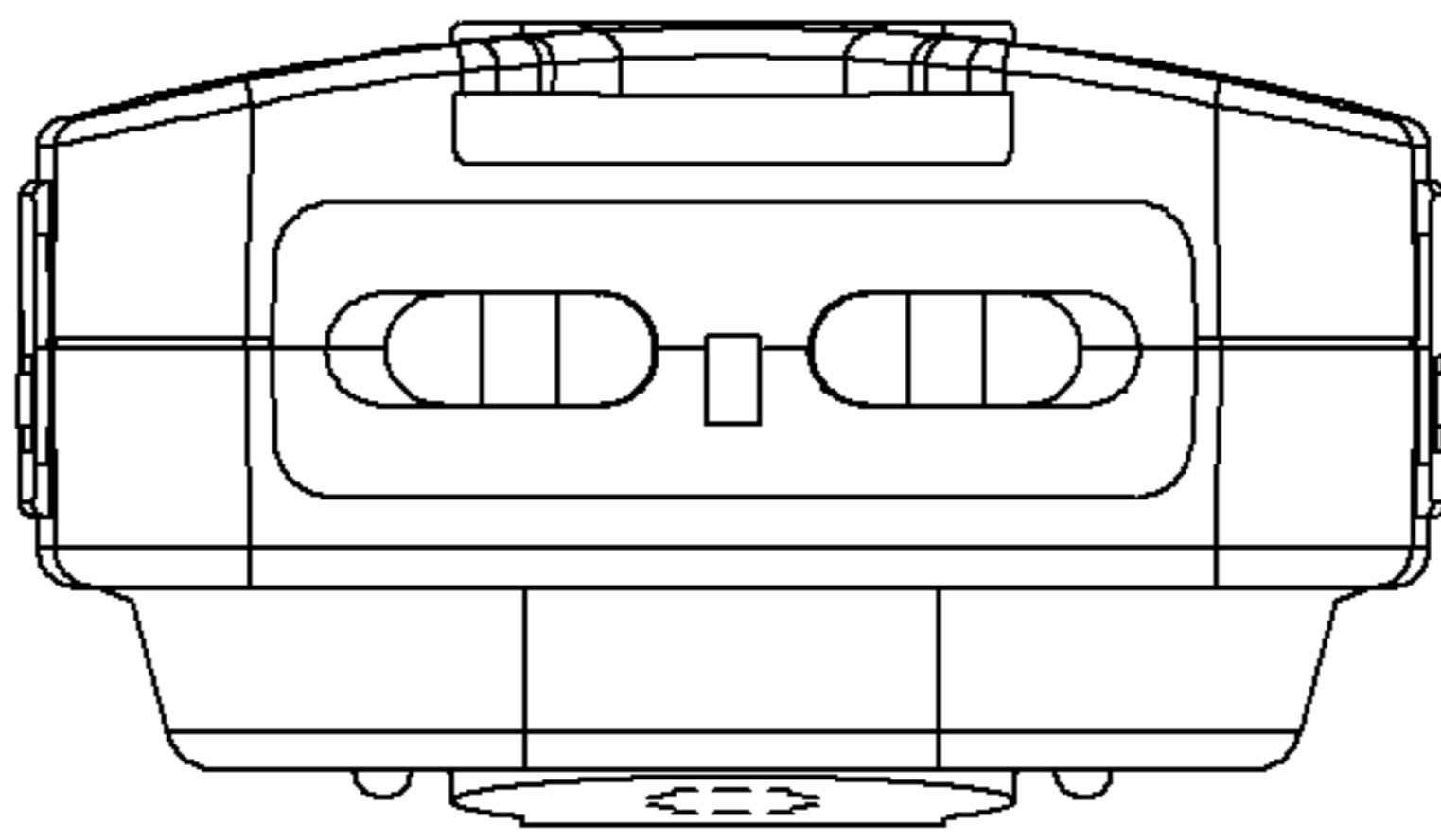


FIG. 2

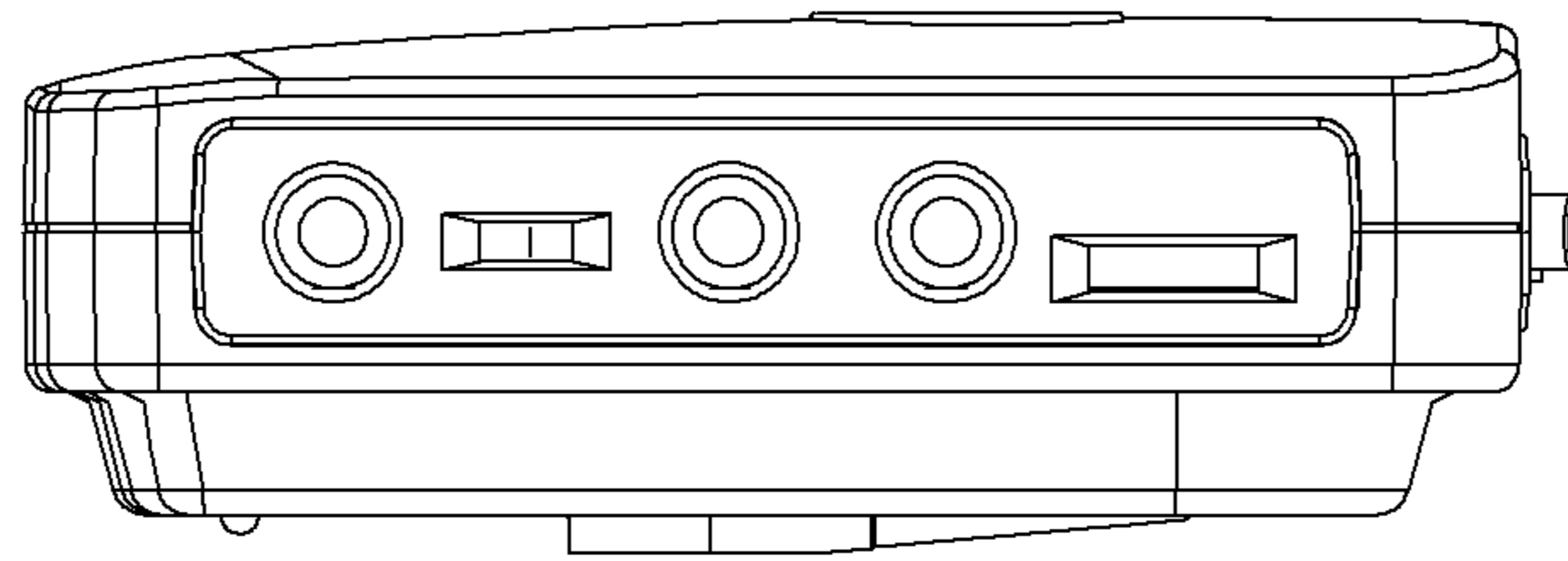


FIG. 3

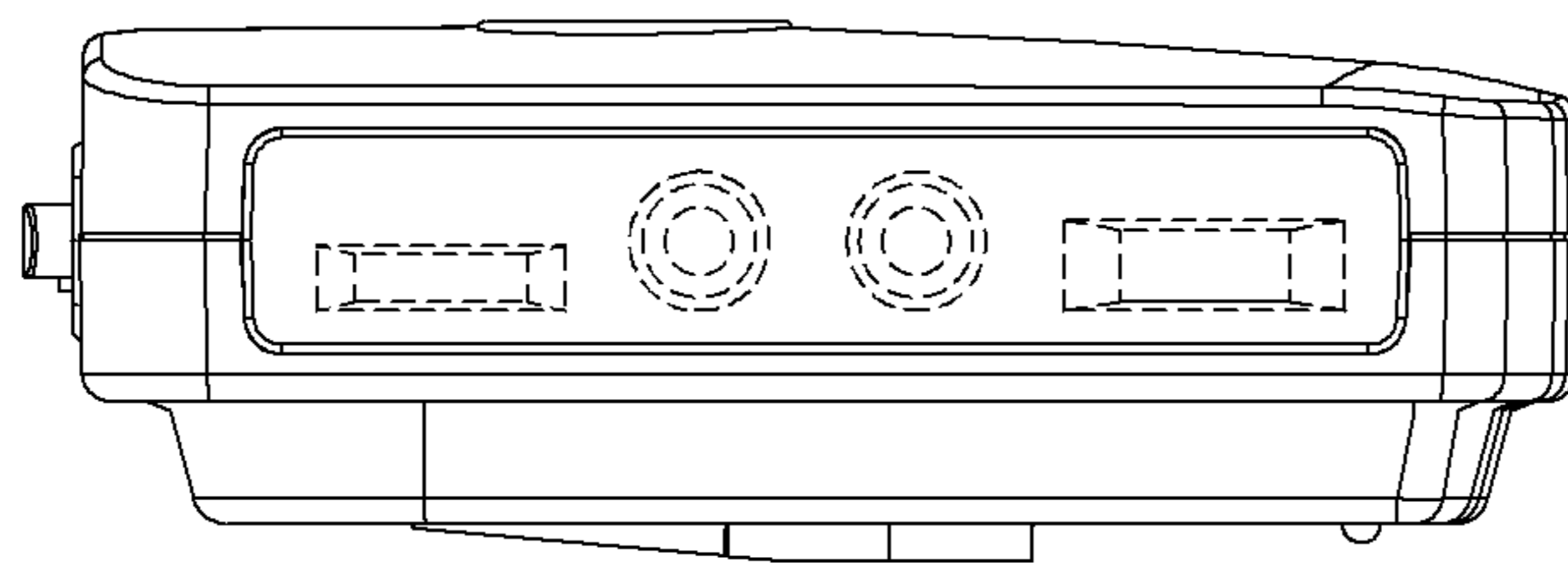


FIG. 4

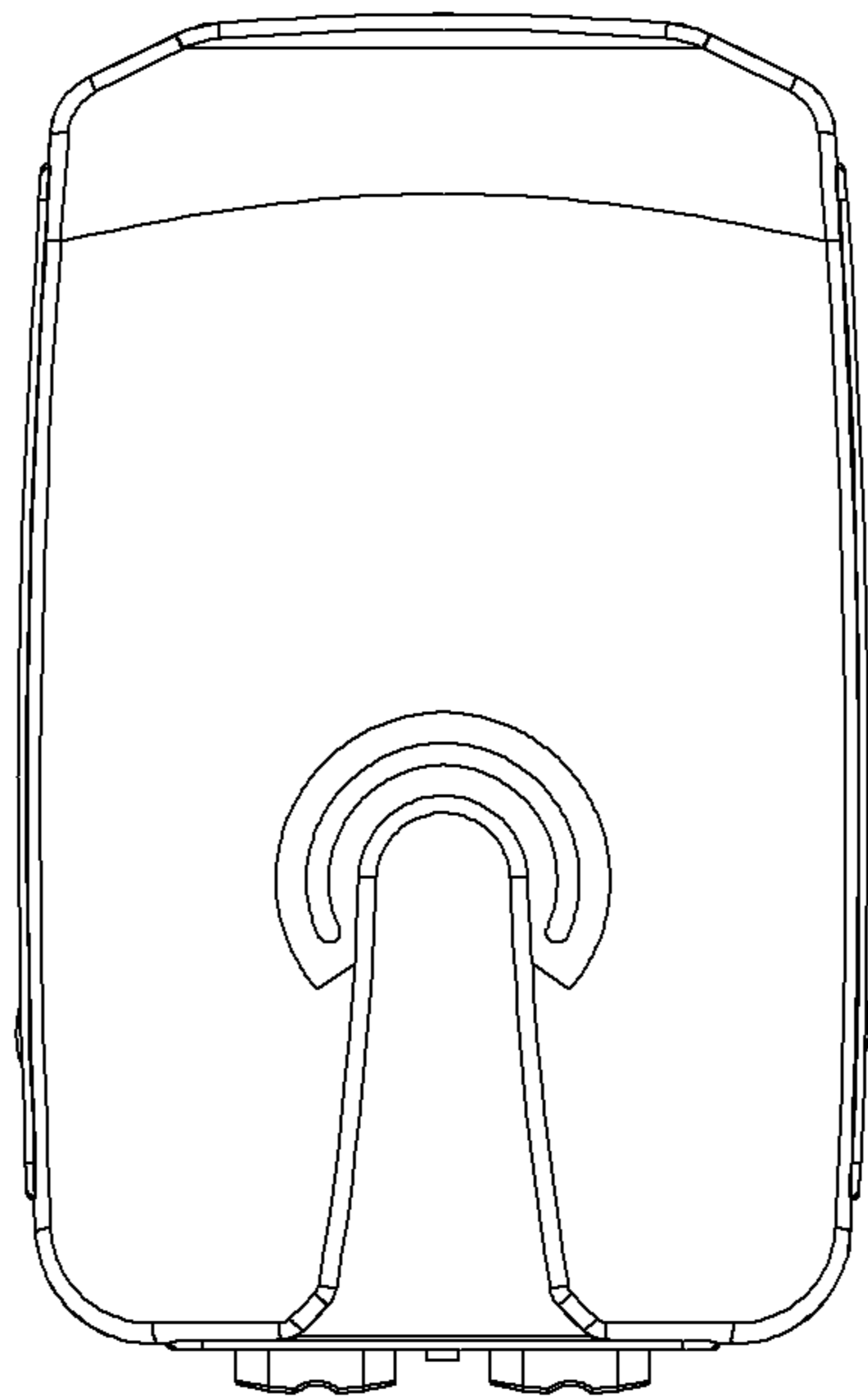


FIG. 5

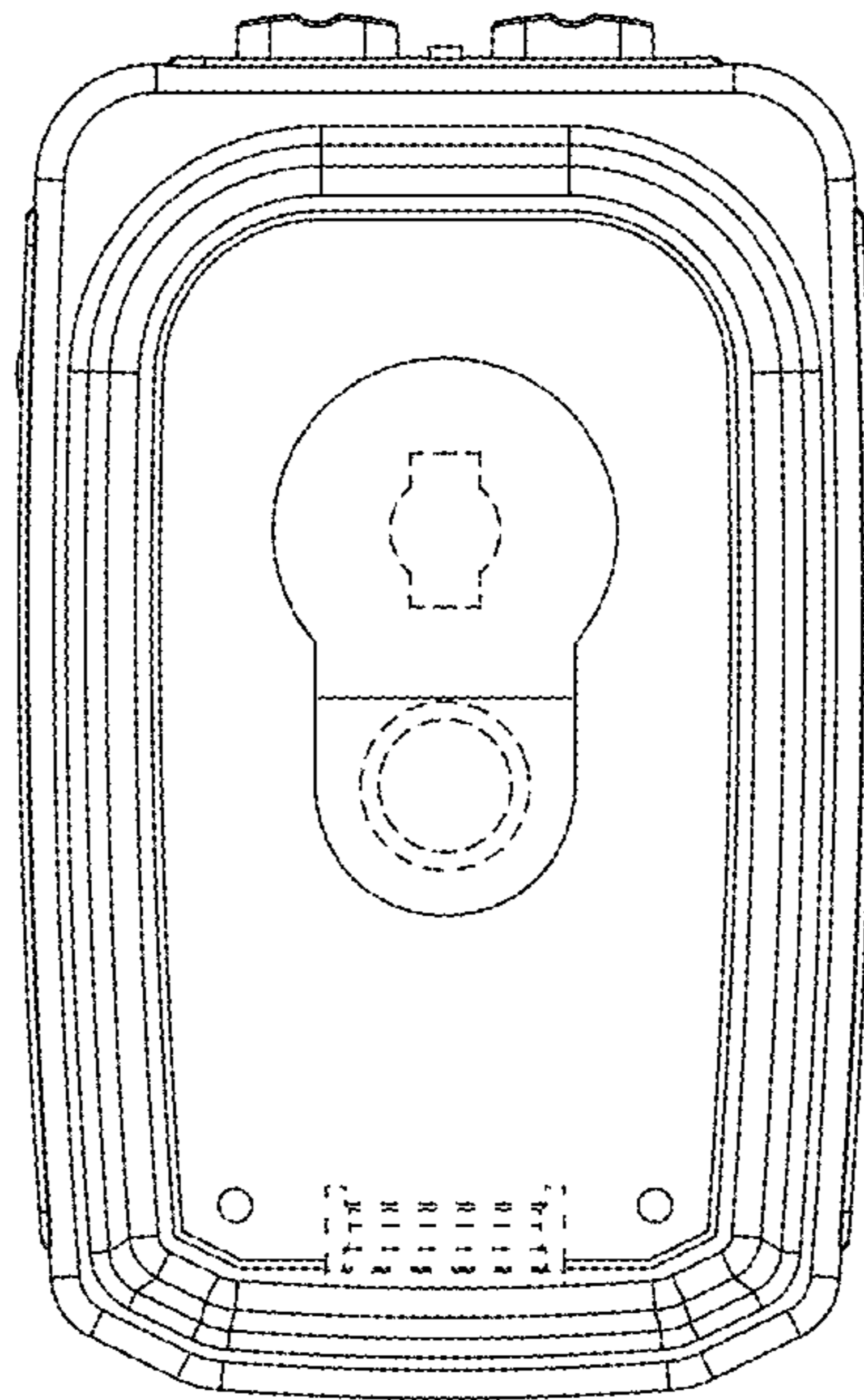


FIG. 6

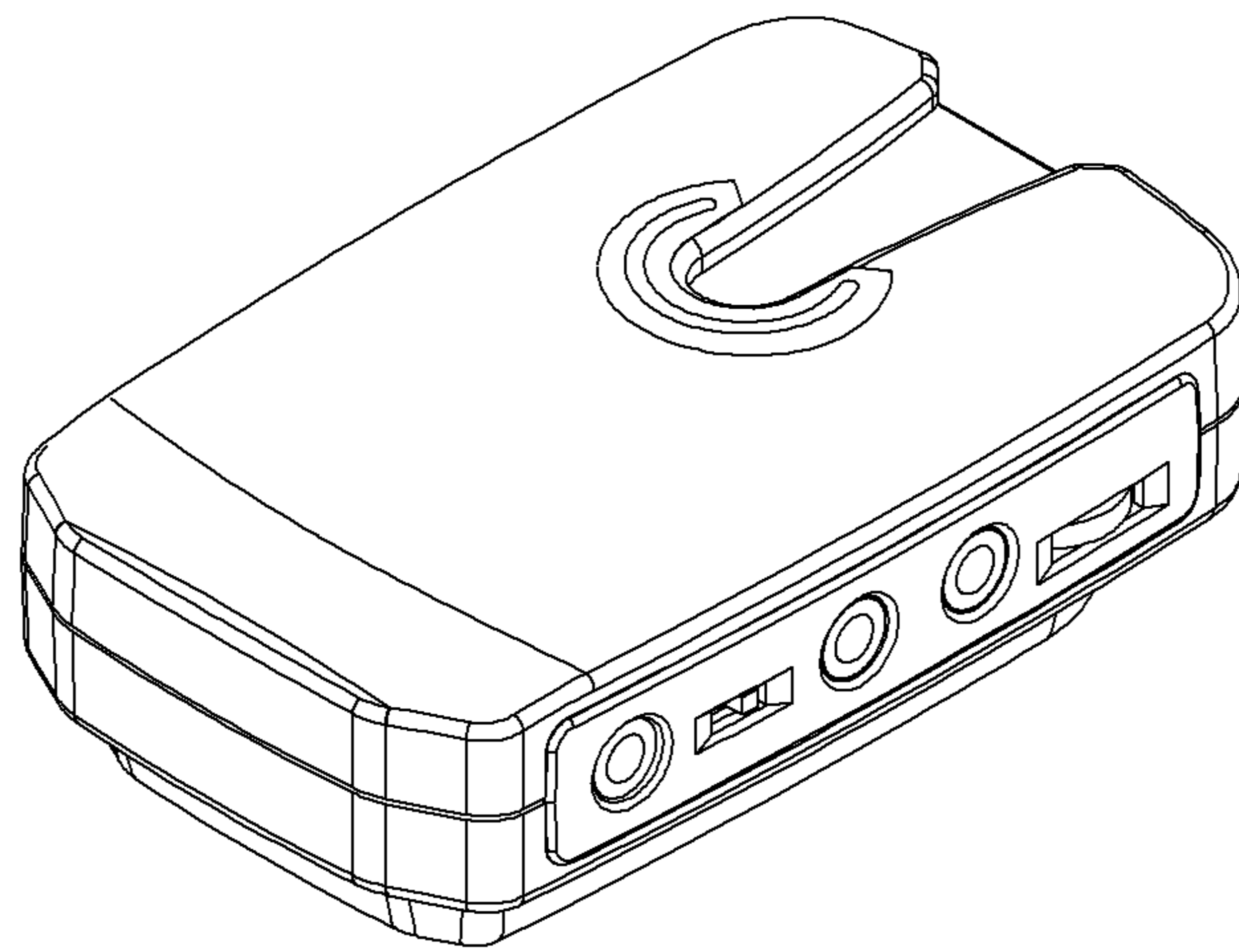


FIG. 7