



US00D704162S

(12) **United States Design Patent**
Davies et al.

(10) **Patent No.:** **US D704,162 S**
(45) **Date of Patent:** **** May 6, 2014**

(54) **HEADPHONE**

(71) Applicant: **GP Acoustics International Limited,**
Kwai Chung (HK)

(72) Inventors: **John Simon Davies,** Kwai Chung (HK);
Jack Yang Chang, Kwai Chung (HK)

(73) Assignee: **GP Acoustics International Limited,**
Hong Kong (HK)

(**) Term: **14 Years**

(21) Appl. No.: **29/449,663**

(22) Filed: **Mar. 15, 2013**

(51) **LOC (10) Cl.** **14-01**

(52) **U.S. Cl.**

CPC **H04S 1/005** (2013.01)

USPC **D14/205**

(58) **Field of Classification Search**

USPC D14/205, 206; D29/112; 2/209;
181/129, 130, 135; 379/430, 431;
381/380, 381, 384; 455/90.3, 575.1

See application file for complete search history.

(56) **References Cited**

U.S. PATENT DOCUMENTS

5,095,382 A * 3/1992 Abe 398/202
D351,172 S * 10/1994 Nakamura et al. D14/205
D358,389 S * 5/1995 Isono D14/205

D381,336 S * 7/1997 Bungardt et al. D14/205
D512,708 S * 12/2005 Harris et al. D14/205
D585,871 S * 2/2009 Lee D14/205
D617,770 S * 6/2010 Sanguinetti et al. D14/205
D660,823 S * 5/2012 Hardi et al. D14/205
D662,080 S * 6/2012 Carr et al. D14/205
D665,775 S * 8/2012 Katsumata D14/205
D669,450 S * 10/2012 Katsumata D14/205
D673,136 S * 12/2012 Kelly et al. D14/205
D693,791 S * 11/2013 Troy D14/205

* cited by examiner

Primary Examiner — Paula Greene

(74) *Attorney, Agent, or Firm* — Nixon Peabody LLP;
Jeffrey L. Costellia

(57) **CLAIM**

The ornamental design for a headphone, as shown and described.

DESCRIPTION

FIG. 1 is a front elevational view of a headphone showing our new design;

FIG. 2 is a rear elevational view thereof;

FIG. 3 is a right side elevational view thereof;

FIG. 4 is a top plan view thereof;

FIG. 5 is a bottom plan view thereof;

FIG. 6 is a first perspective view thereof; and,

FIG. 7 is a second perspective view thereof.

The left side elevational view is a mirror image of the right side shown in FIG. 3.

1 Claim, 7 Drawing Sheets

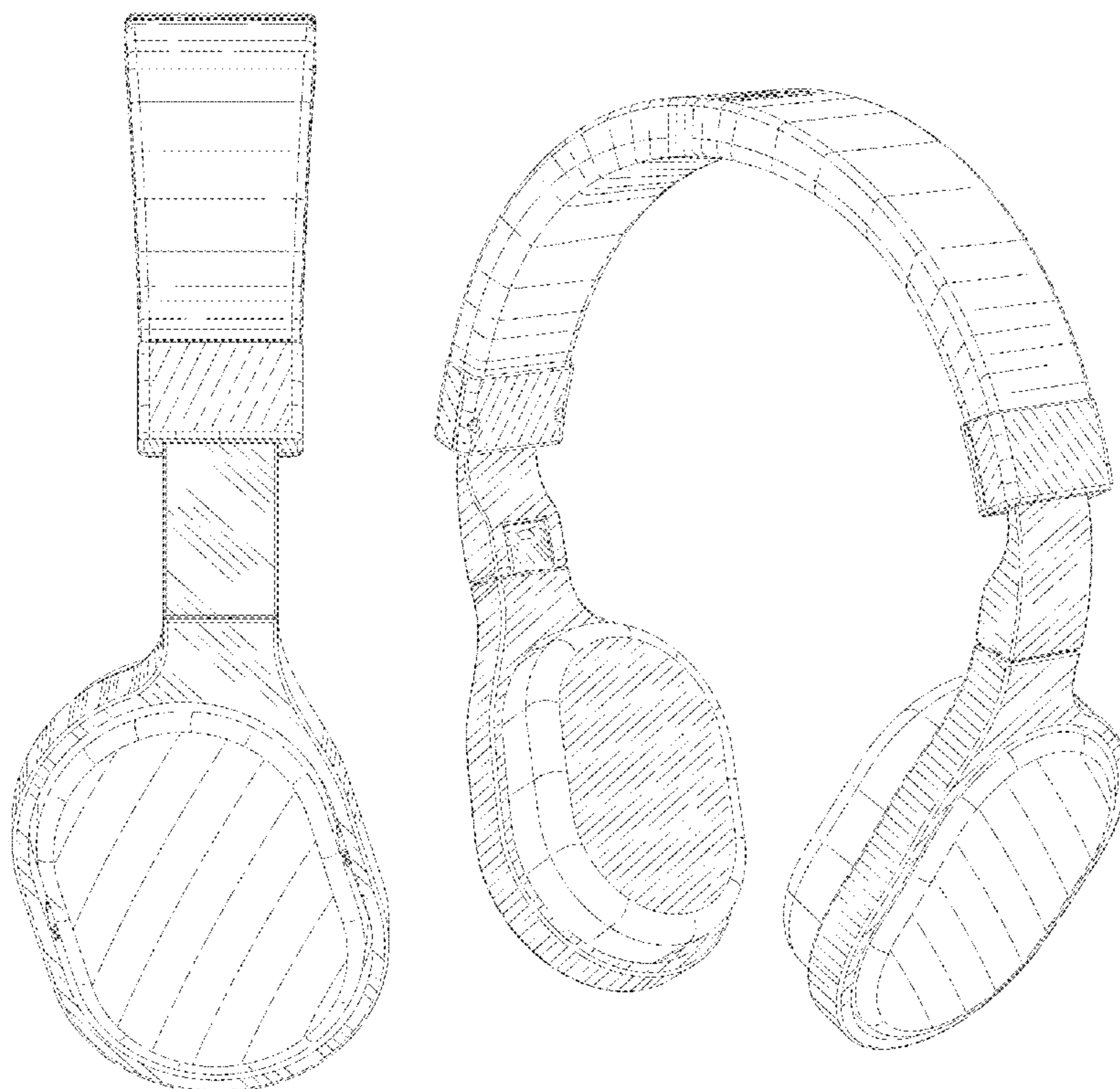




FIG. 1



FIG. 2

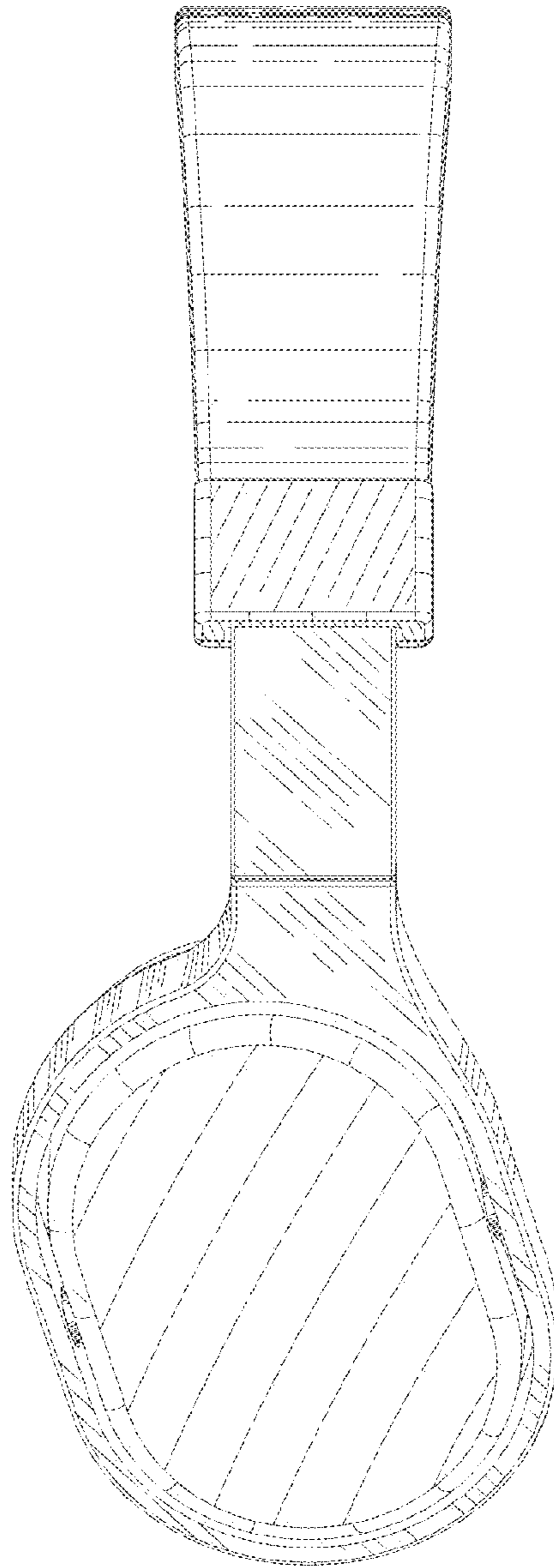


FIG. 3

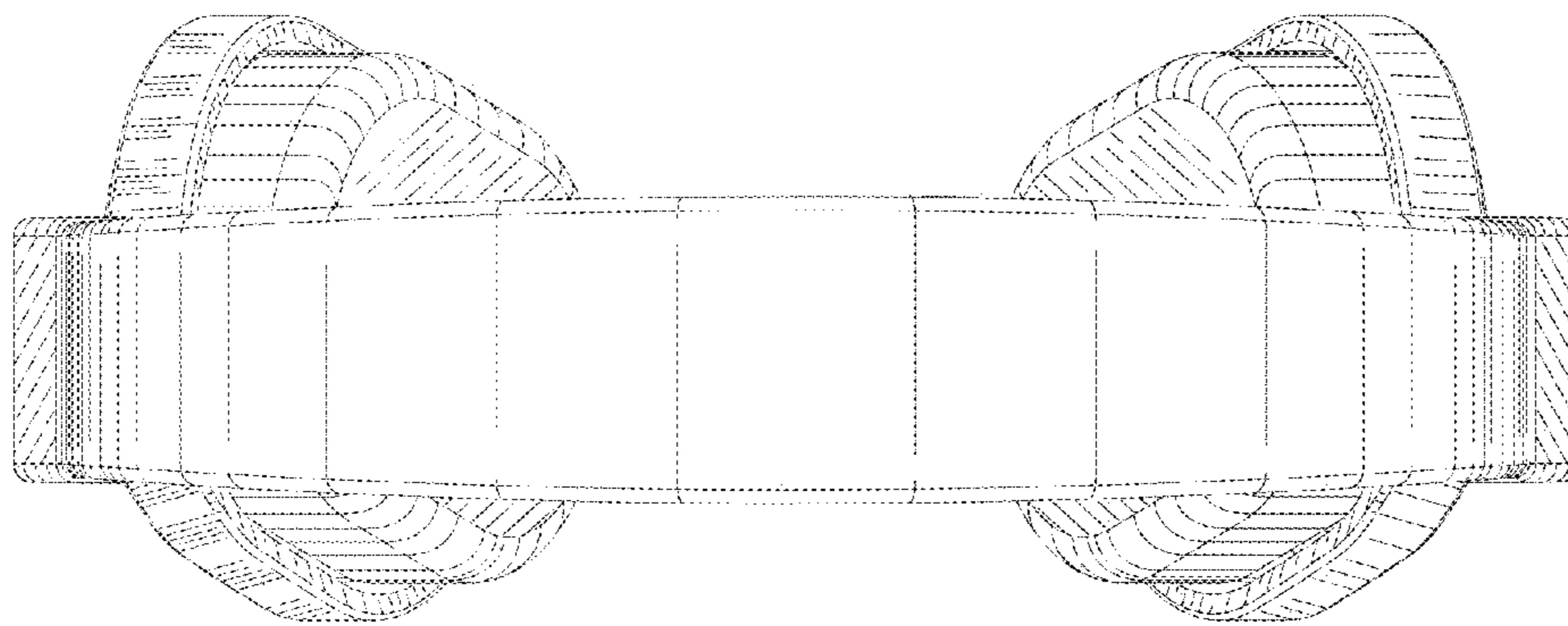


FIG. 4

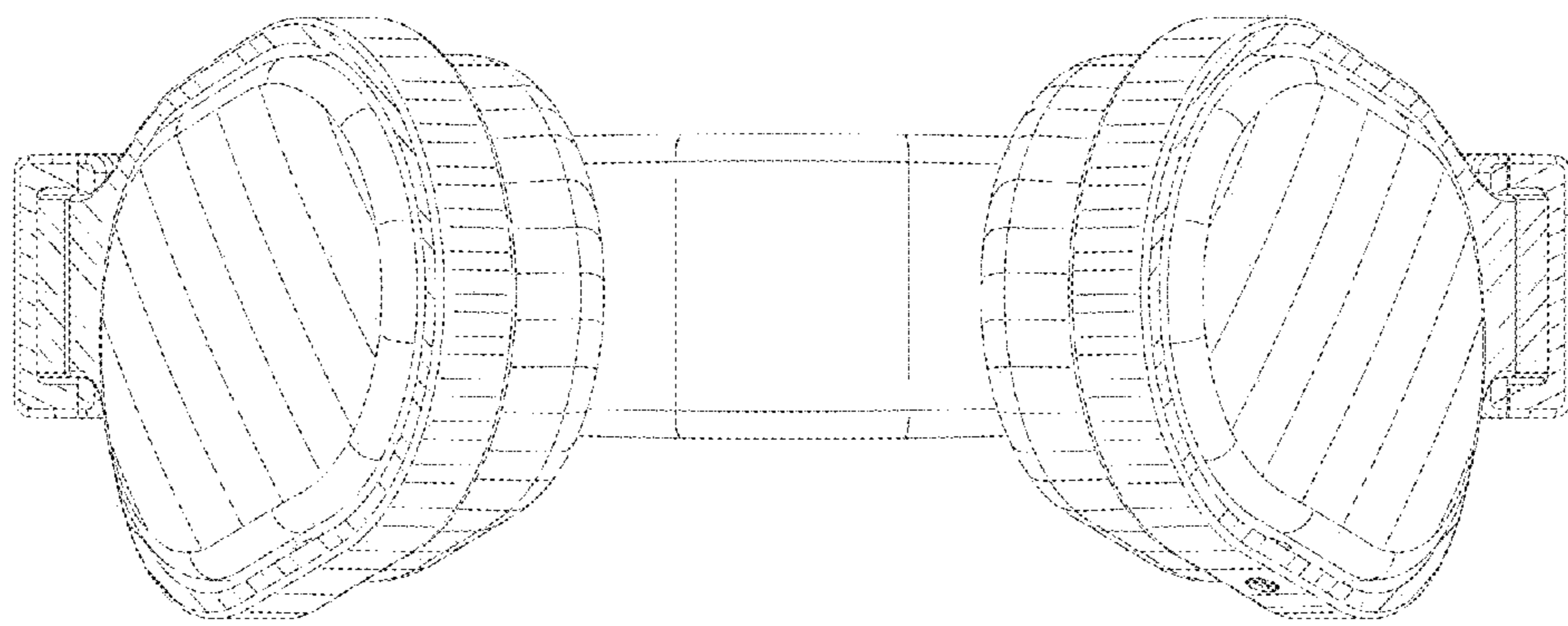


FIG. 5

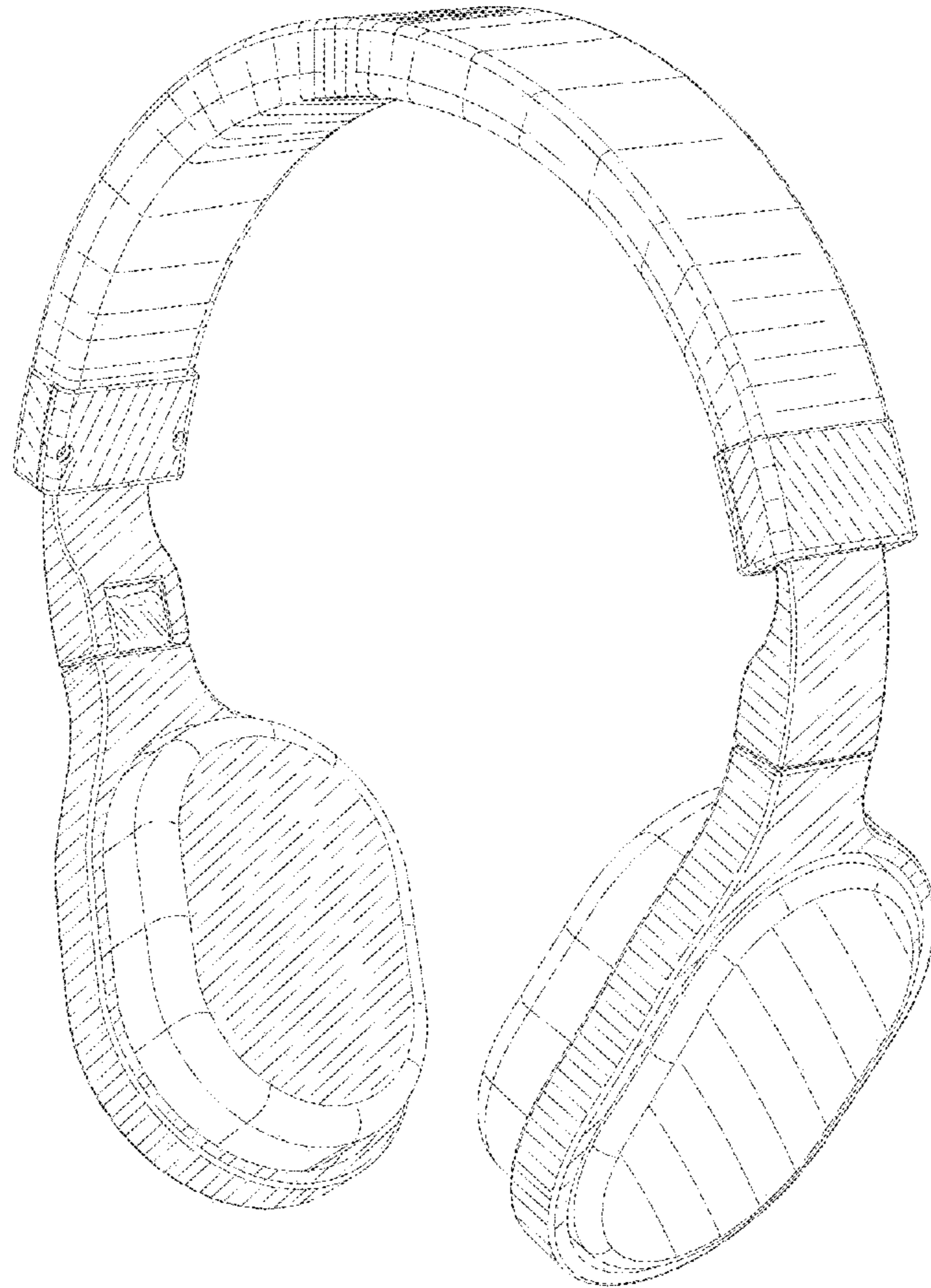


FIG. 6

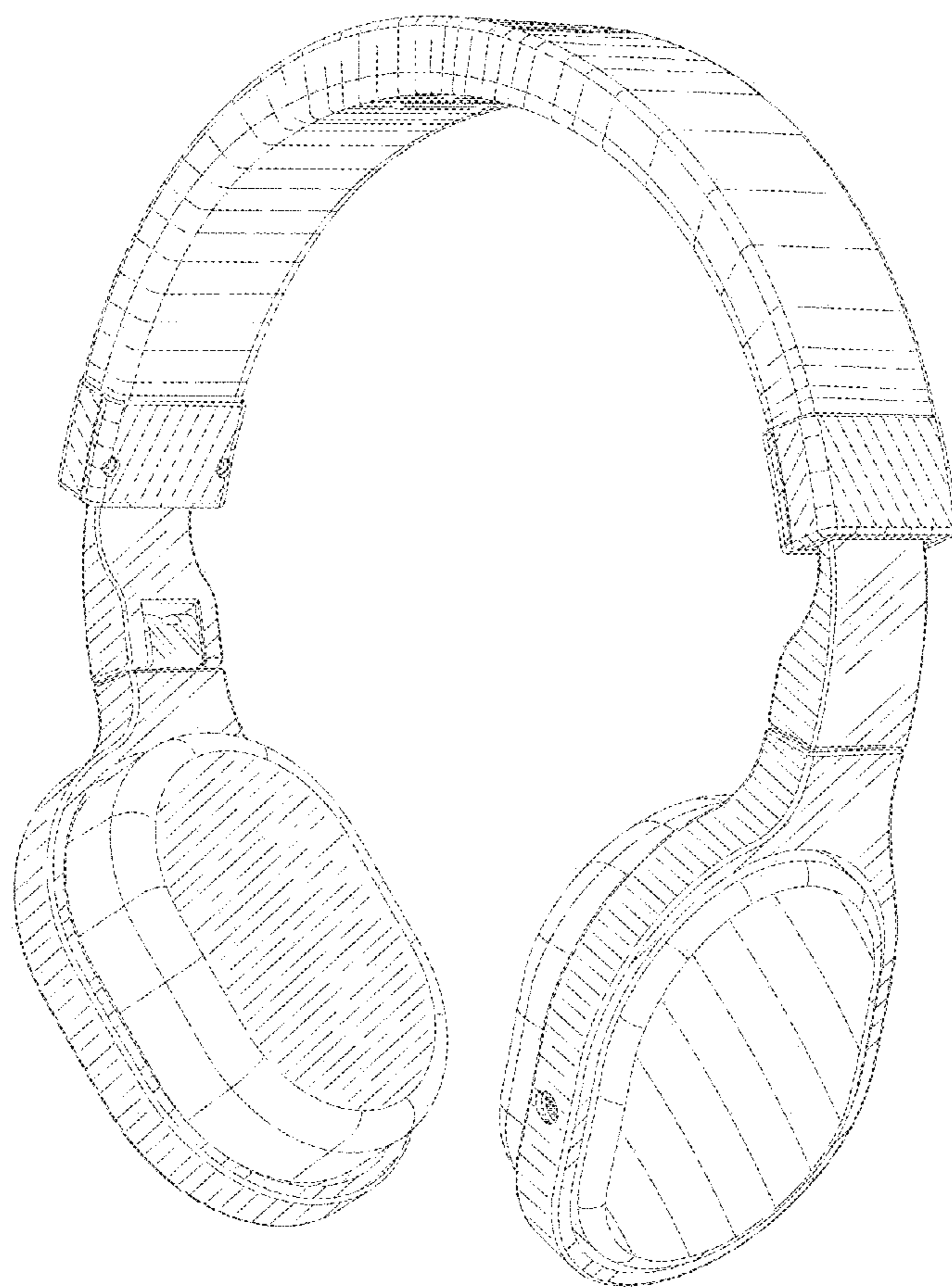


FIG. 7