



US00D704158S

(12) **United States Design Patent**  
**Fisher et al.**

(10) **Patent No.:** **US D704,158 S**

(45) **Date of Patent:** **\*\* \*May 6, 2014**

(54) **HEADSET CAMERA AND TELECOMMUNICATIONS DEVICE**

(75) Inventors: **Ronald Eugene Fisher**, San Francisco, CA (US); **Bryan Jonathan Davis**, San Francisco, CA (US); **James Fisher**, Walnut Creek, CA (US); **Andrew Merit**, San Francisco, CA (US)

(73) Assignee: **Eyecam, LLC**, San Francisco, CA (US)

(\*) Notice: This patent is subject to a terminal disclaimer.

(\*\*) Term: **14 Years**

(21) Appl. No.: **29/398,730**

(22) Filed: **Aug. 3, 2011**

(51) **LOC (10) Cl.** ..... **14-03**

(52) **U.S. Cl.**  
USPC ..... **D14/138 R; D14/203.5; D16/202; D16/213**

(58) **Field of Classification Search**  
USPC ..... **D14/138 R, 138 C, 138 G, 138 AD, D14/138 AB, 138 AC, 144, 205, 206, 223, D14/372, 128, 129, 203.5, 203.4, 192; 455/575.1, 556.1, 575.3, 575.4; D21/517; 345/8; D16/300, 309, 202, D16/212, 213, 208; 348/14.02, 164, 158, 348/376**

See application file for complete search history.

(56) **References Cited**

**U.S. PATENT DOCUMENTS**

D179,150 S *	11/1956	Norris	.....	D14/192
2,882,348 A *	4/1959	Erickson	.....	381/330
5,812,101 A *	9/1998	Monarchie et al.	.....	345/8
D471,537 S *	3/2003	Ham	.....	D14/223
D512,984 S *	12/2005	Ham	.....	D14/205
D541,787 S *	5/2007	Ma	.....	D14/205

D556,804 S *	12/2007	Ishida	.....	D16/203
D572,234 S *	7/2008	Reda et al.	.....	D14/205
D625,297 S *	10/2010	Tseng et al.	.....	D14/223
D629,397 S *	12/2010	Hensen	.....	D14/223
D636,762 S *	4/2011	Hensen	.....	D14/223
D643,867 S *	8/2011	Boland et al.	.....	D16/219
D656,490 S *	3/2012	Birger	.....	D14/223
8,390,533 B2 *	3/2013	Yamamoto	.....	345/7
2008/0266448 A1 *	10/2008	Reiner et al.	.....	348/376
2009/0109286 A1 *	4/2009	Ennis	.....	348/81

(Continued)

**OTHER PUBLICATIONS**

Bluetooth Headset-Camera, photo taken Nov. 1, 2007, by Jamais Cascio, [online], [site visited Jan. 18, 2013]. Available from Internet, <[http://www.flickr.com/photos/jamais\\_cascio/1817596072/](http://www.flickr.com/photos/jamais_cascio/1817596072/)>.\*

(Continued)

*Primary Examiner* — Jeffrey D Asch

(74) *Attorney, Agent, or Firm* — Michael A. Glenn; Perkins Coie LLP

(57) **CLAIM**

The ornamental design for a headset camera and telecommunications device, as shown and described.

**DESCRIPTION**

FIG. 1 is a front and left side perspective view of a headset camera and telecommunications device showing out new design;

FIG. 2 is a top perspective view thereof;

FIG. 3 is front, bottom, and right side perspective view thereof;

FIG. 4 is rear and left side perspective view thereof;

FIG. 5 is a right side elevation view thereof;

FIG. 6 is a left side elevation view thereof;

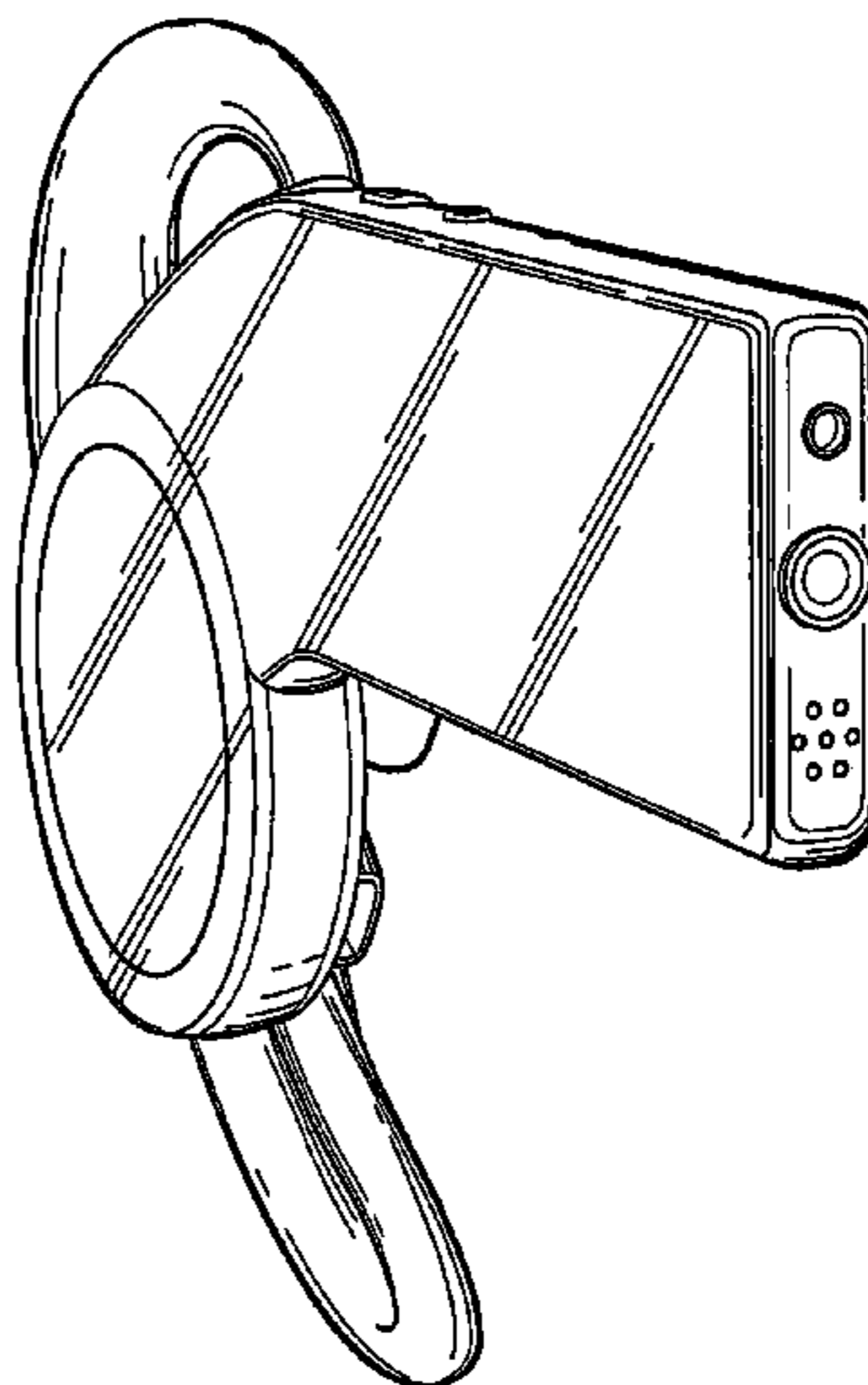
FIG. 7 is a bottom plan view thereof;

FIG. 8 is a top plan view thereof;

FIG. 9 is a rear elevation view thereof; and,

FIG. 10 is a front elevation view thereof.

**1 Claim, 6 Drawing Sheets**



(56)

**References Cited**

U.S. PATENT DOCUMENTS

2009/0243968	A1 *	10/2009	Nakazawa .....	345/8
2009/0268032	A1 *	10/2009	Jones et al. ....	348/164
2010/0039493	A1 *	2/2010	Chao et al. ....	348/14.02
2010/0118158	A1 *	5/2010	Boland et al. ....	348/211.2
2010/0245585	A1 *	9/2010	Fisher et al. ....	348/164
2011/0254964	A1 *	10/2011	Zhang .....	348/207.1
2012/0068921	A1 *	3/2012	Jacobsen et al. ....	345/156
2013/0033610	A1 *	2/2013	Osborn .....	348/207.1

OTHER PUBLICATIONS

Looxcie 2 Wearable Bluetooth Video Camcorder, Black, no posting date given, © 2013 Adorama Camera Inc., [online], [site visited Jan. 18, 2013]. Available from Internet, <URL: <http://www.adorama.com/LX2.html>>.\*

Looxcie iPhone compatible wearable camcorder, posted Dec. 7, 2010, by Michael, [online], [site visited Jan. 18, 2013]. Available from Internet, <URL: <http://www.techmagnews.com/looxcie-iphone-compatible-wearable-camcorder.html>>.\*

Product Profile: Looxcie Wearable Bluetooth Camcorder, posted Aug. 30, 2011 by Fred Singer, [online], [site visited Jan. 18, 2013]. Available from Internet, <URL: <http://www.adorama.com/alc/article/13210>>.\*

Articles Tagged “wearable device”, various articles posted by Simon Hill on Jan. 7, 2013, J. Angelo Racoma on Nov. 14, 2012, Simon Hill on Oct. 8, 2012, Nathan Snyder on May 26, 2012, [online], [site visited Jan. 18, 2013]. Available from Internet, <URL: <http://www.androidauthority.com/tag/wearable-device/>>.\*

Looxcie 2 wearable camcorder slims down, adds some accessories, posted Jun. 7, 2011 by Donald Melanson, [online], [site visited Jan. 18, 2013]. Available from Internet, <URL: <http://www.engadget.com/2011/06/07/looxcie-2-wearable-camcorder-slims-down-adds-some-accessories/>>.\*

\* cited by examiner

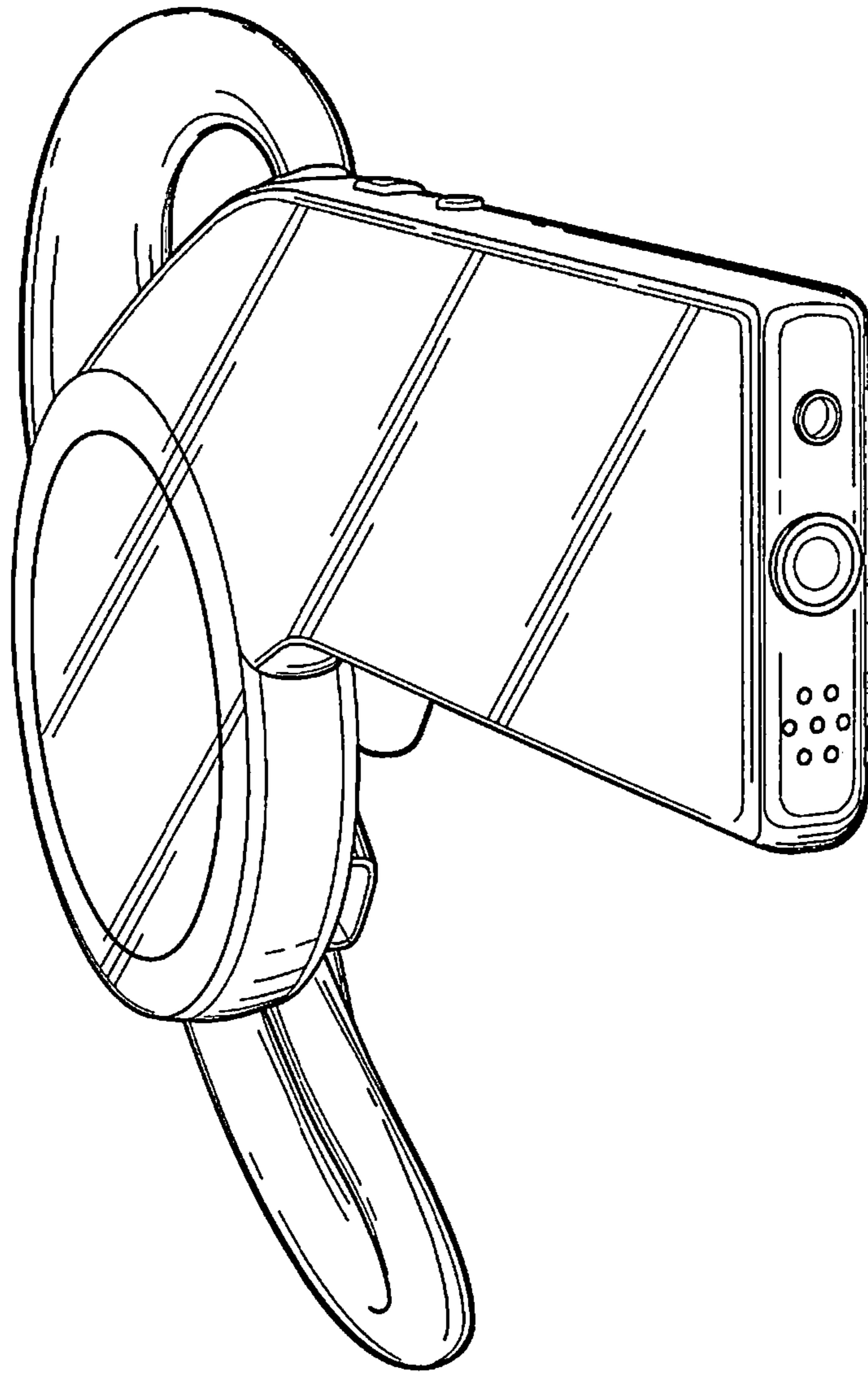


Fig. 1

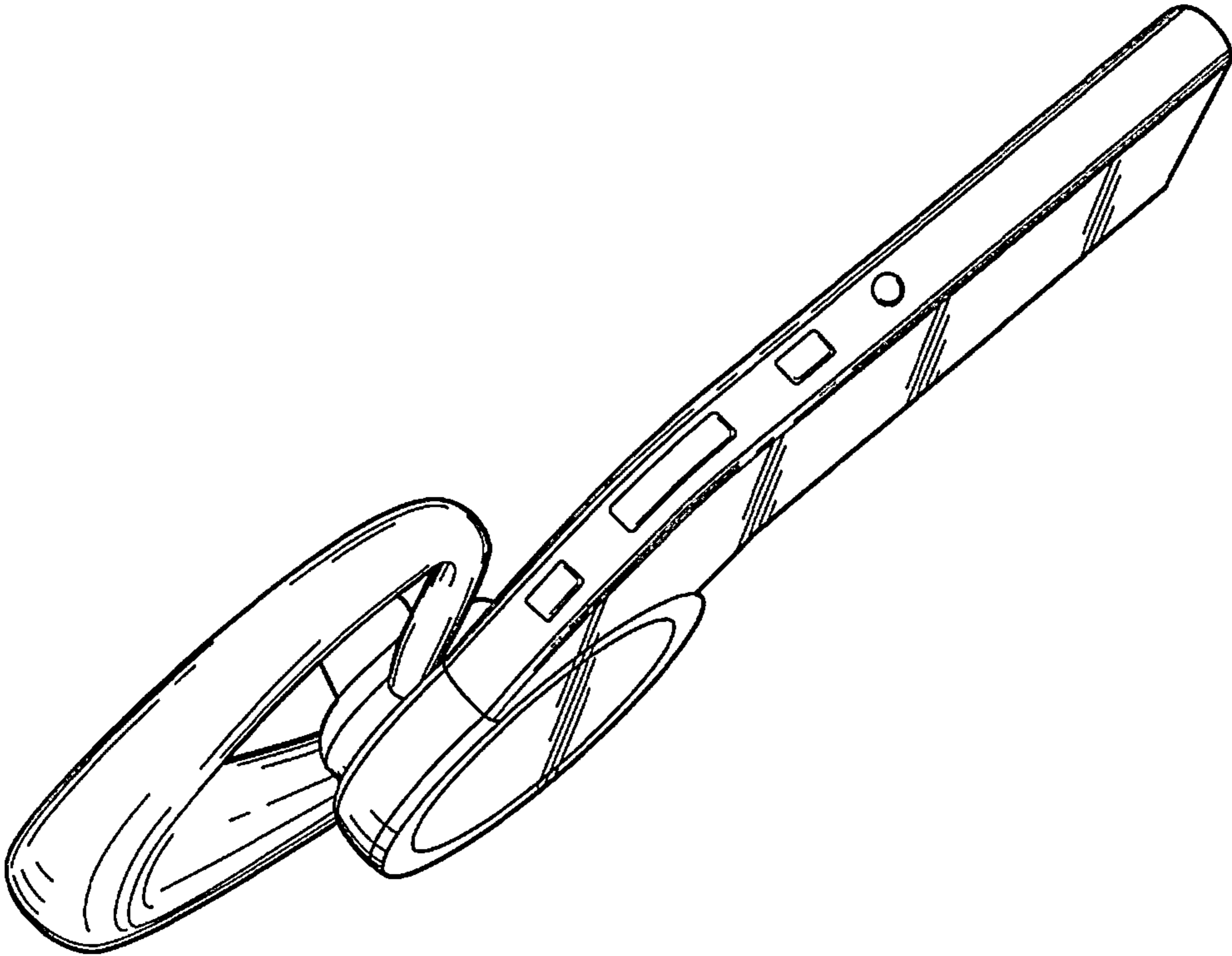


Fig. 2



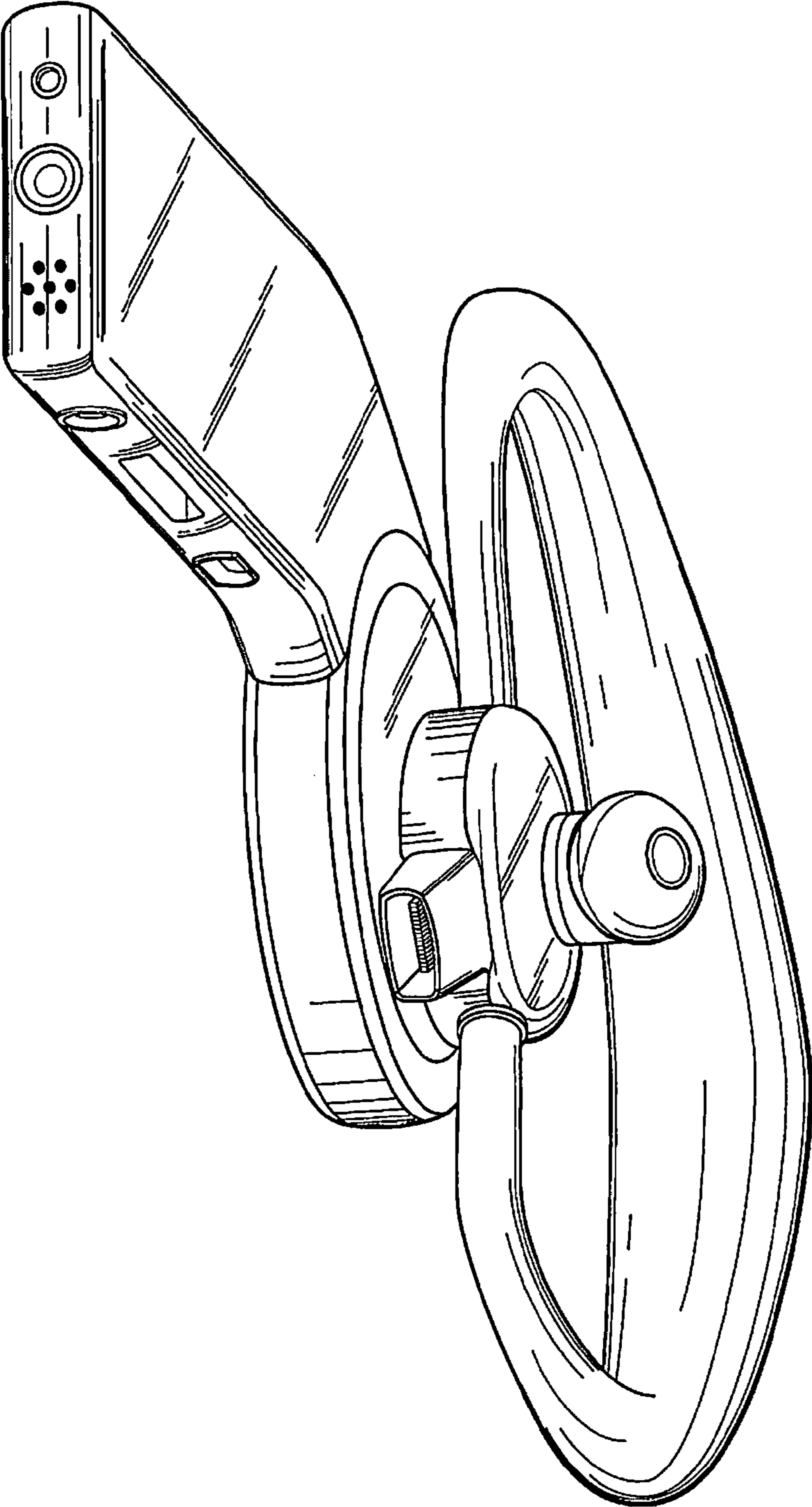


Fig. 3

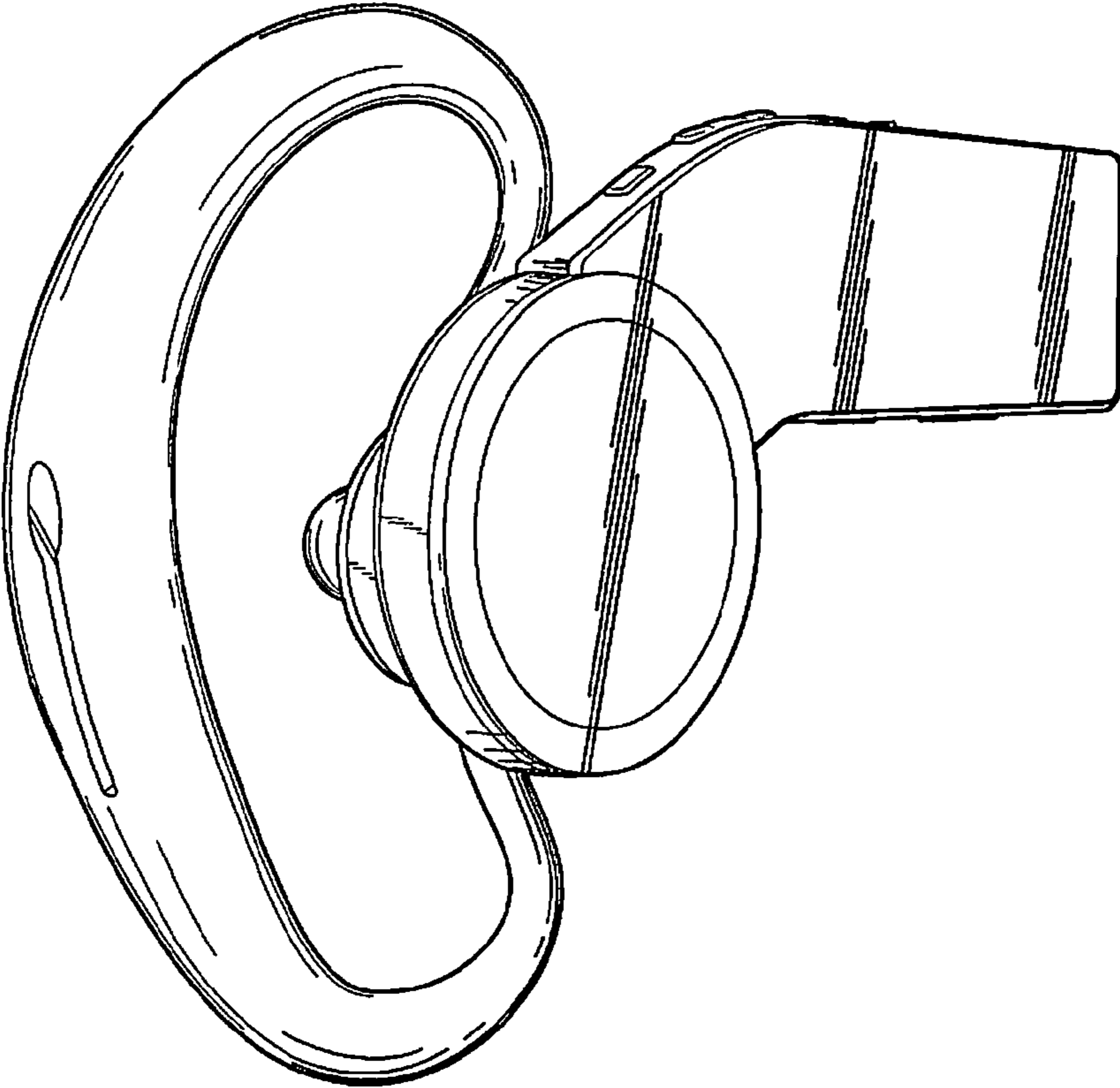


Fig. 4

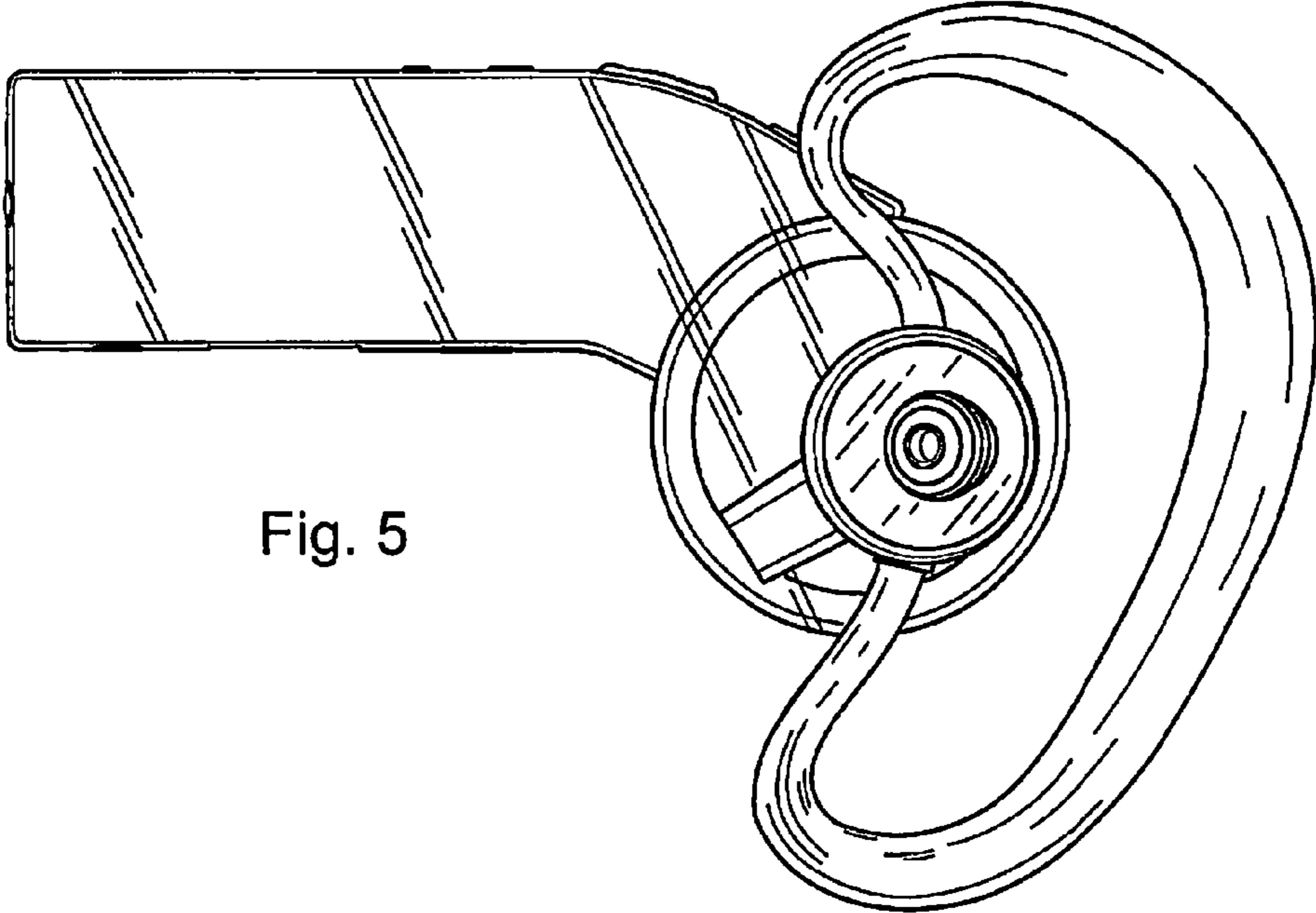


Fig. 5

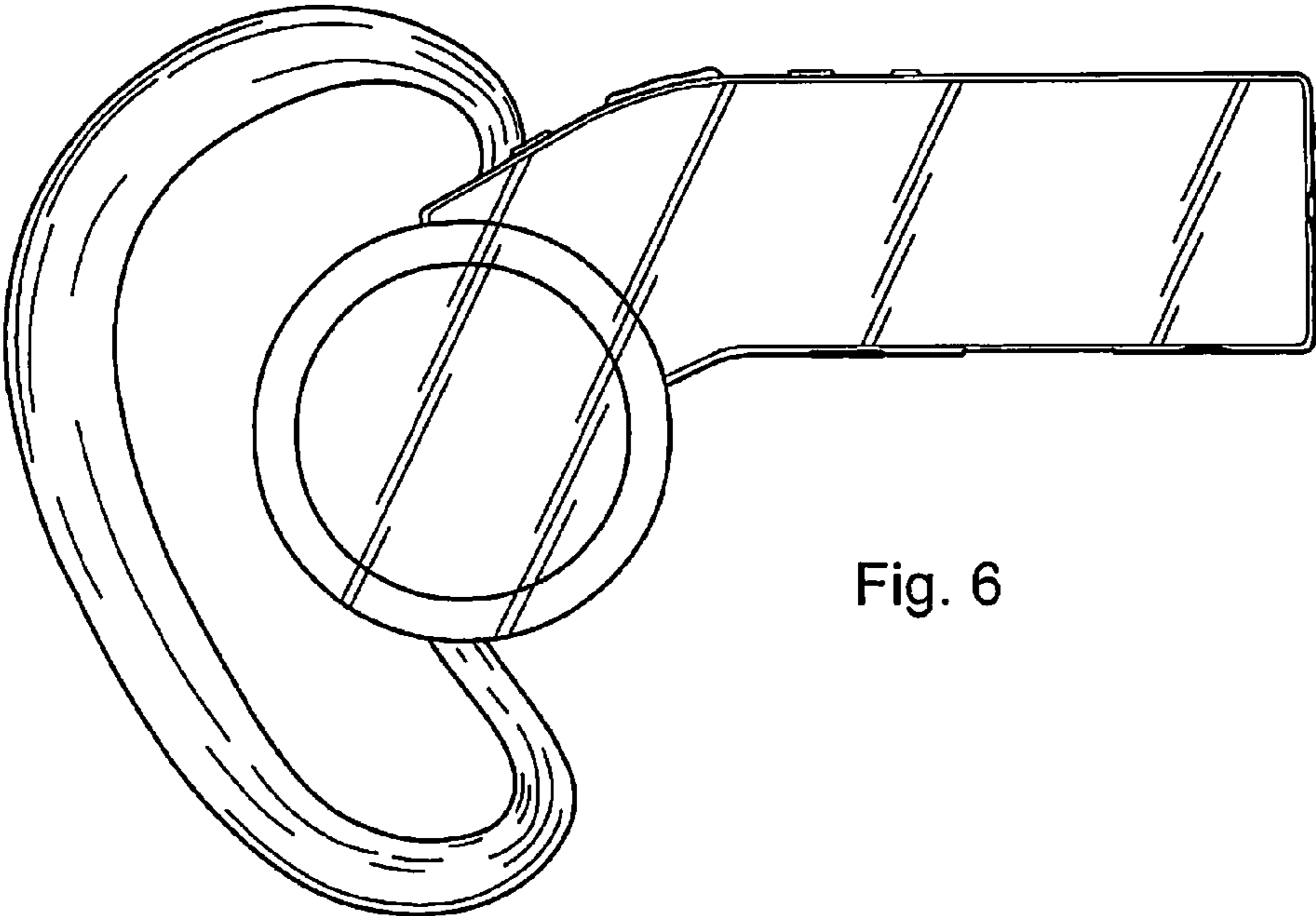


Fig. 6

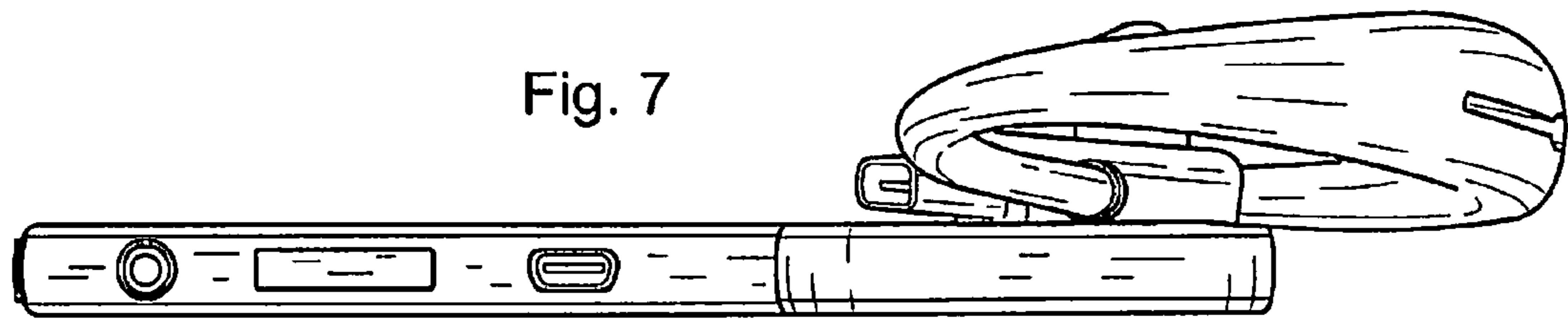


Fig. 7

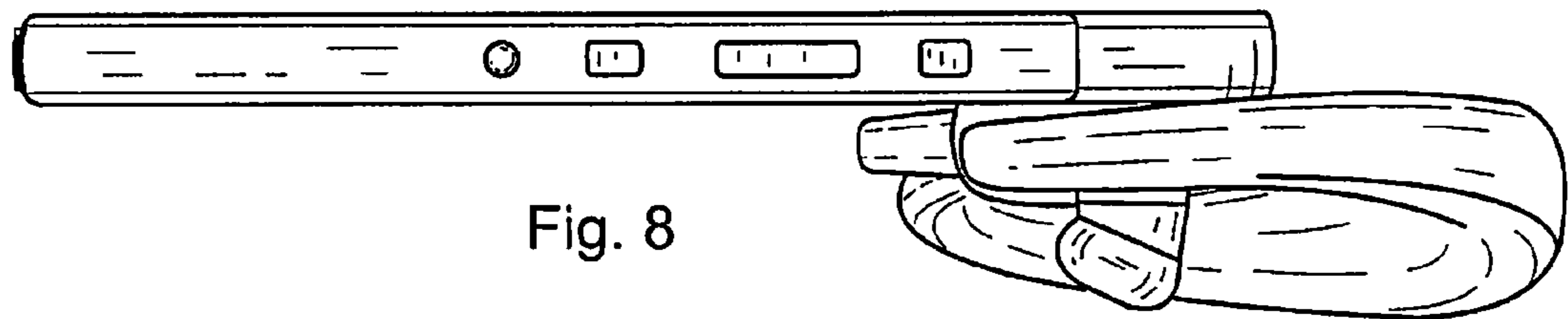


Fig. 8

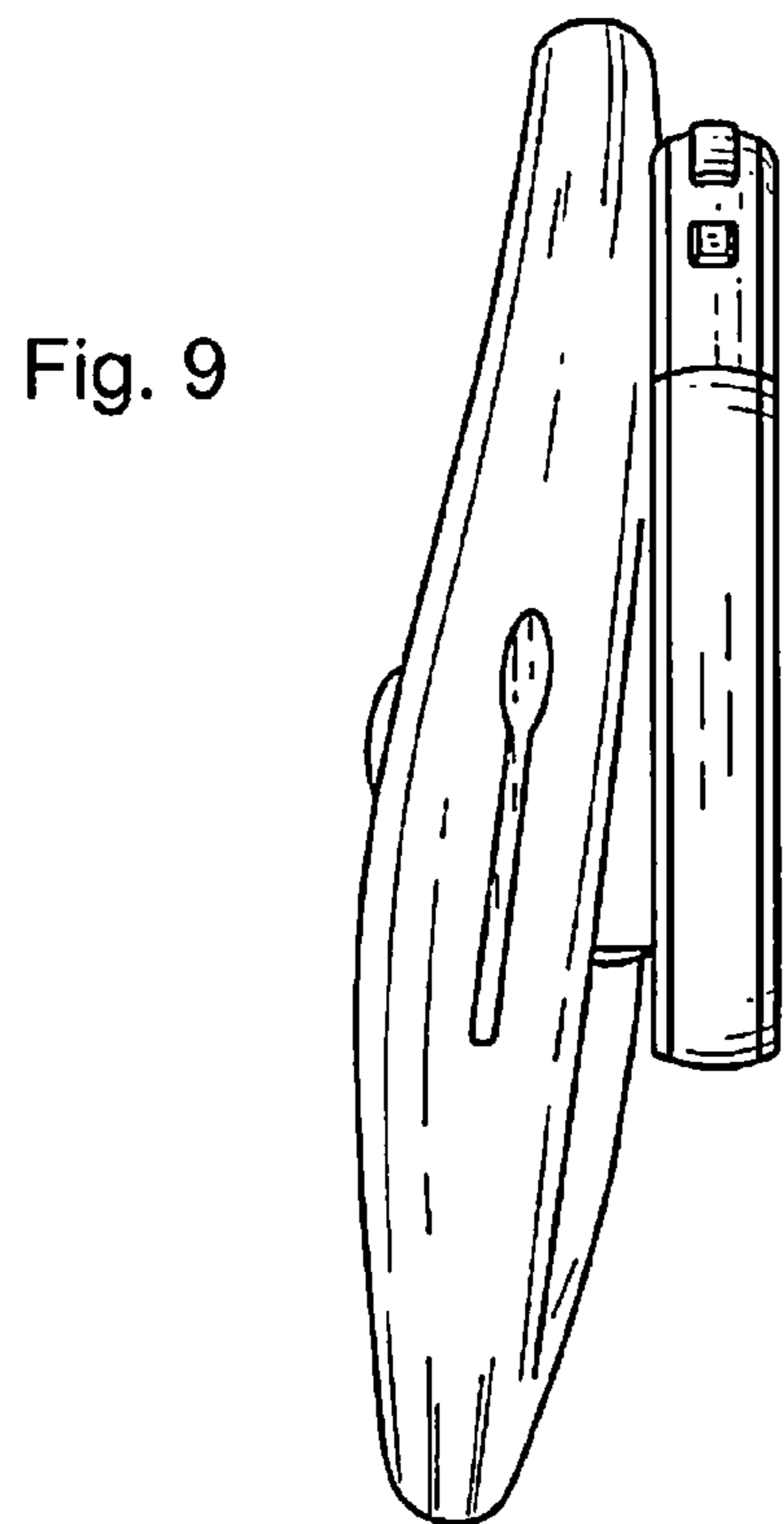


Fig. 9

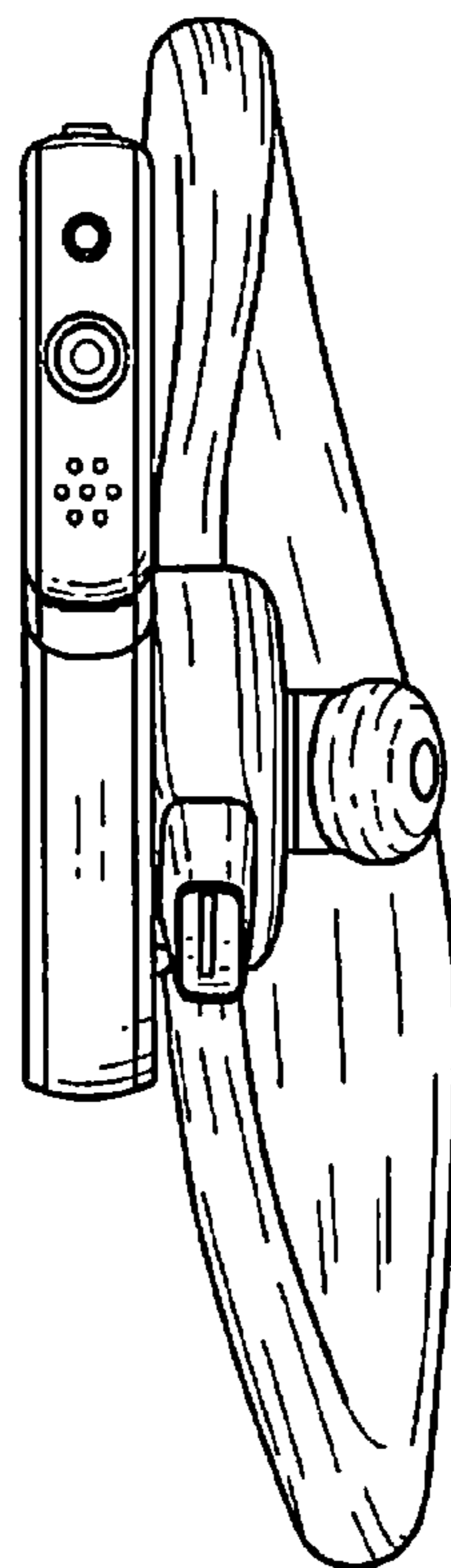


Fig. 10