



US00D704157S

(12) **United States Design Patent**
Cha et al.

(10) **Patent No.:** **US D704,157 S**

(45) **Date of Patent:** **** May 6, 2014**

(54) **TELEVISION RECEIVER**

(71) Applicant: **LG Electronics Inc.**, Seoul (KR)

(72) Inventors: **Hyunbyung Cha**, Seoul (KR); **Sunggu Joe**, Seoul (KR); **Hyeyoung Hong**, Seoul (KR)

(73) Assignee: **LG Electronics Inc.**, Seoul (KR)

(**) Term: **14 Years**

(21) Appl. No.: **29/460,095**

(22) Filed: **Jul. 8, 2013**

(30) **Foreign Application Priority Data**

Jan. 7, 2013 (KR) 30-2013-0001035

(51) **LOC (10) Cl.** **14-03**

(52) **U.S. Cl.**
USPC **D14/126**

(58) **Field of Classification Search**
USPC D14/125-134, 239, 371, 136, 374-377,
D14/440, 450, 448, 336, 342, 159; 312/7.2;
348/836, 838, 180, 184, 325, 739;
341/12; 248/917-924, 465; 345/104,
345/133, 156, 168, 87, 173; 720/605, 669,
720/600, 655; 369/99, 197; D6/477, 479,
D6/300; 273/148 B; 446/484, 175, 356;
D10/15, 26

See application file for complete search history.

(56) **References Cited**

U.S. PATENT DOCUMENTS

D579,889 S *	11/2008	Noh	D14/129
D596,596 S *	7/2009	Honda	D14/126
D597,041 S *	7/2009	Cho et al.	D14/126
D597,978 S *	8/2009	Won et al.	D14/126
D603,816 S *	11/2009	Kim et al.	D14/126
D609,658 S *	2/2010	Kim et al.	D14/126
D621,375 S *	8/2010	Nagase	D14/126
D626,924 S *	11/2010	Miyaji	D14/126
D634,323 S *	3/2011	Park et al.	D14/374
D639,256 S *	6/2011	Lee et al.	D14/126

* cited by examiner

Primary Examiner — Randall Gholson

(74) *Attorney, Agent, or Firm* — Morgan, Lewis & Bockius LLP

(57) **CLAIM**

The ornamental design for a television receiver, as shown and described.

DESCRIPTION

FIG. 1 is a perspective view of a television receiver showing our new design;
FIG. 2 is a front view thereof;
FIG. 3 is a rear view thereof;
FIG. 4 is a left side view thereof;
FIG. 5 is a right side view thereof;
FIG. 6 is a top plan view thereof;
FIG. 7 is a bottom plan view thereof;
FIG. 8 is a rear perspective view thereof; and,
FIG. 9 is a perspective view thereof showing the television receiver in an alternate position.

1 Claim, 9 Drawing Sheets

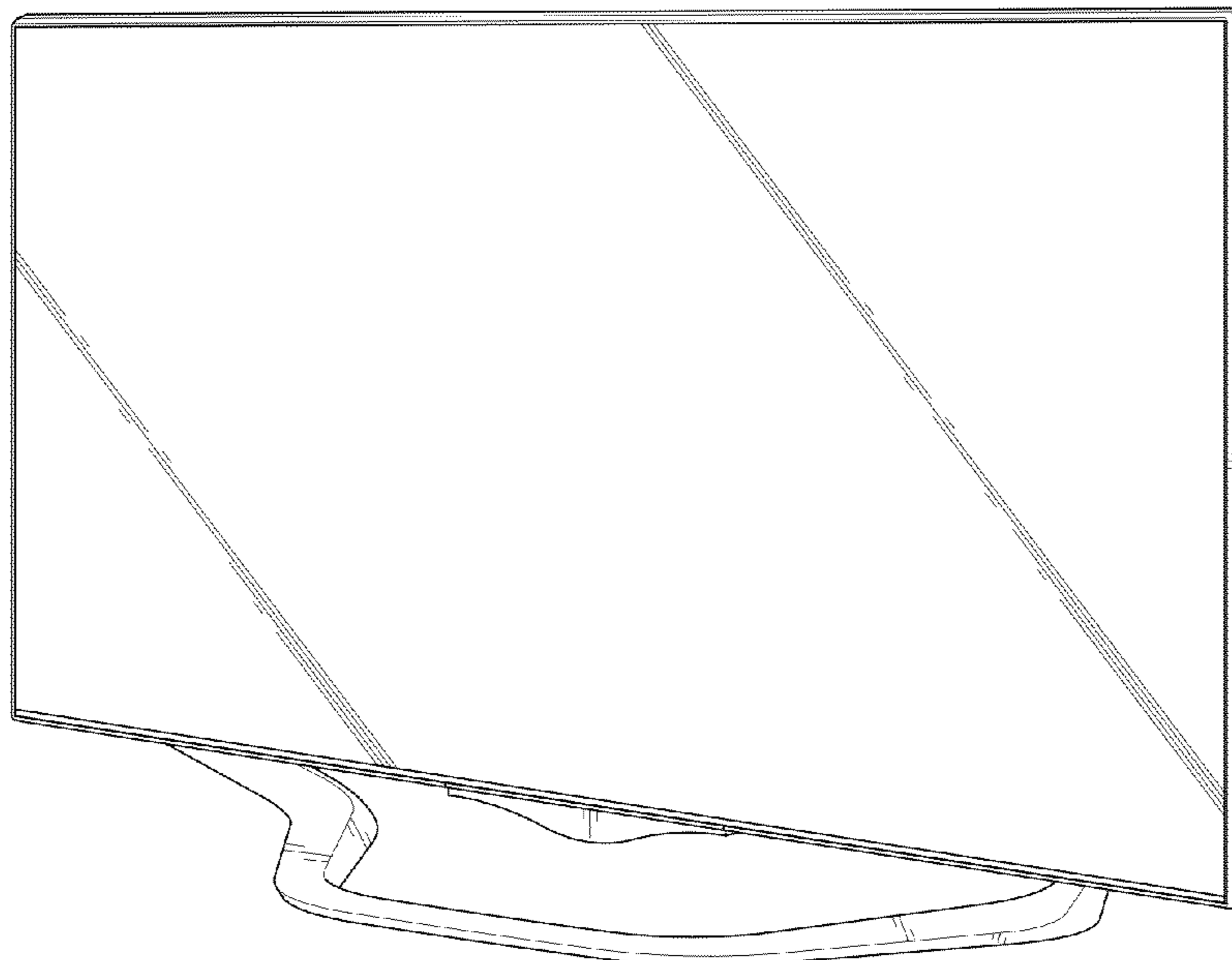


FIG. 1

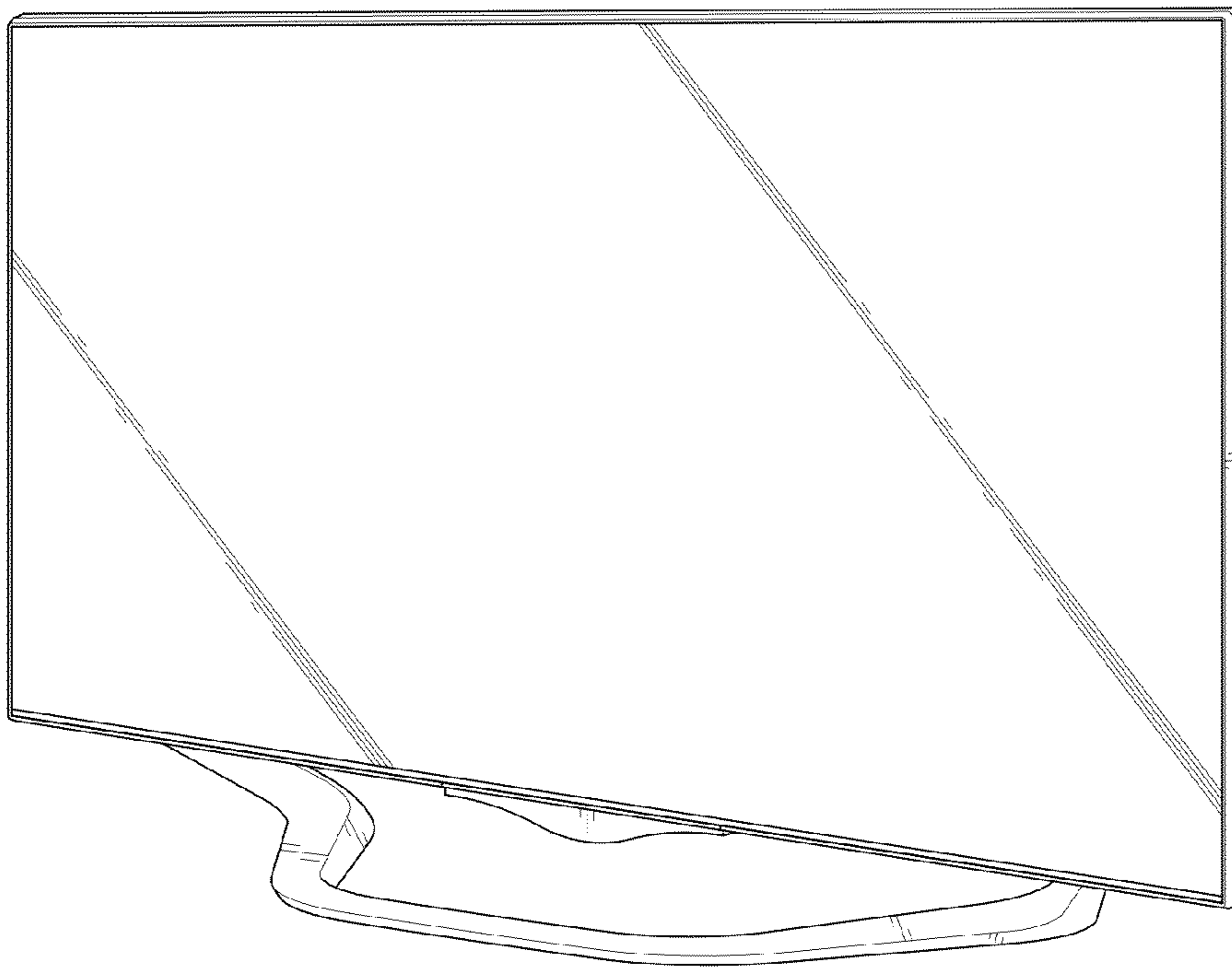


FIG. 2

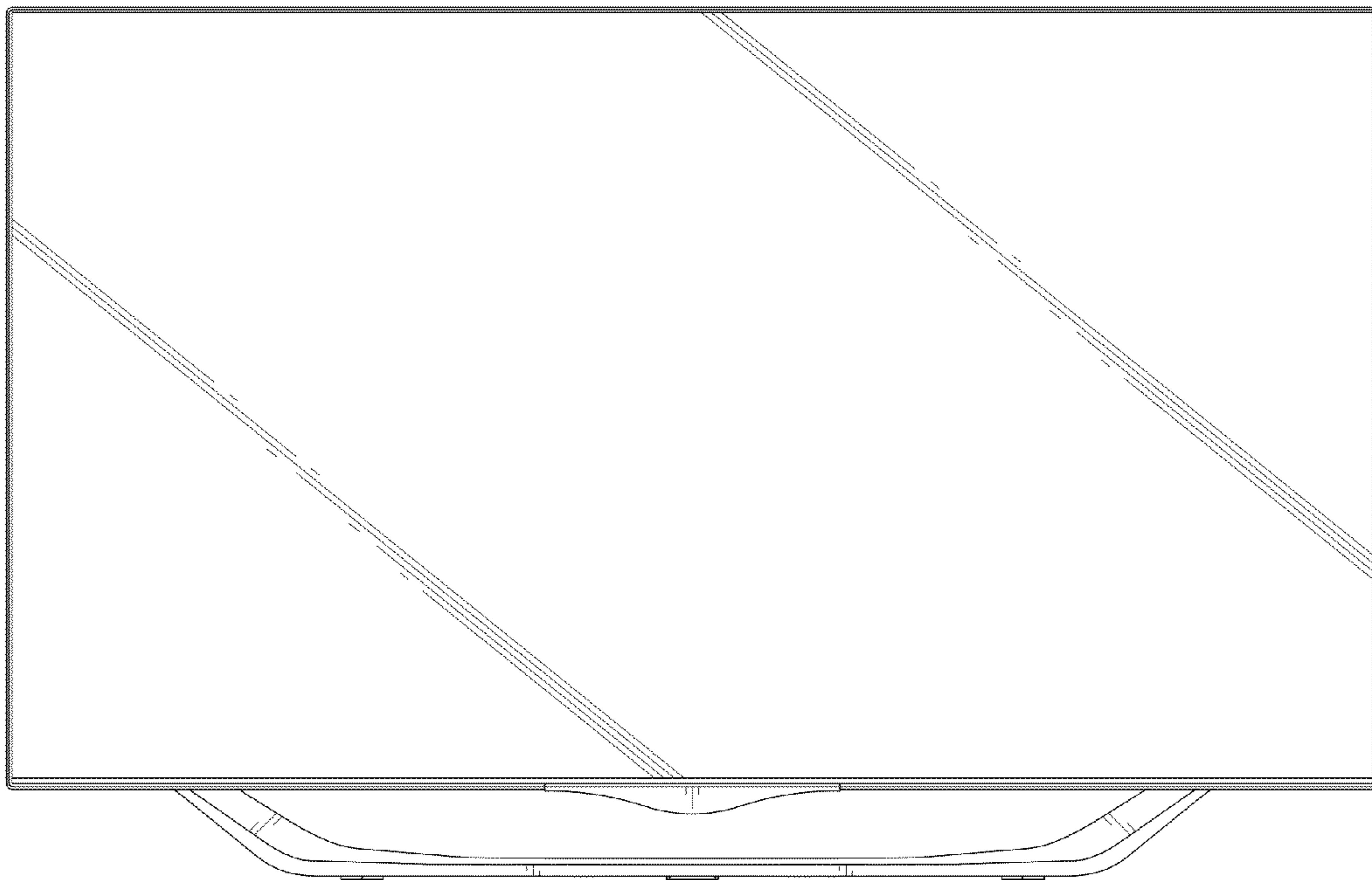


FIG. 3

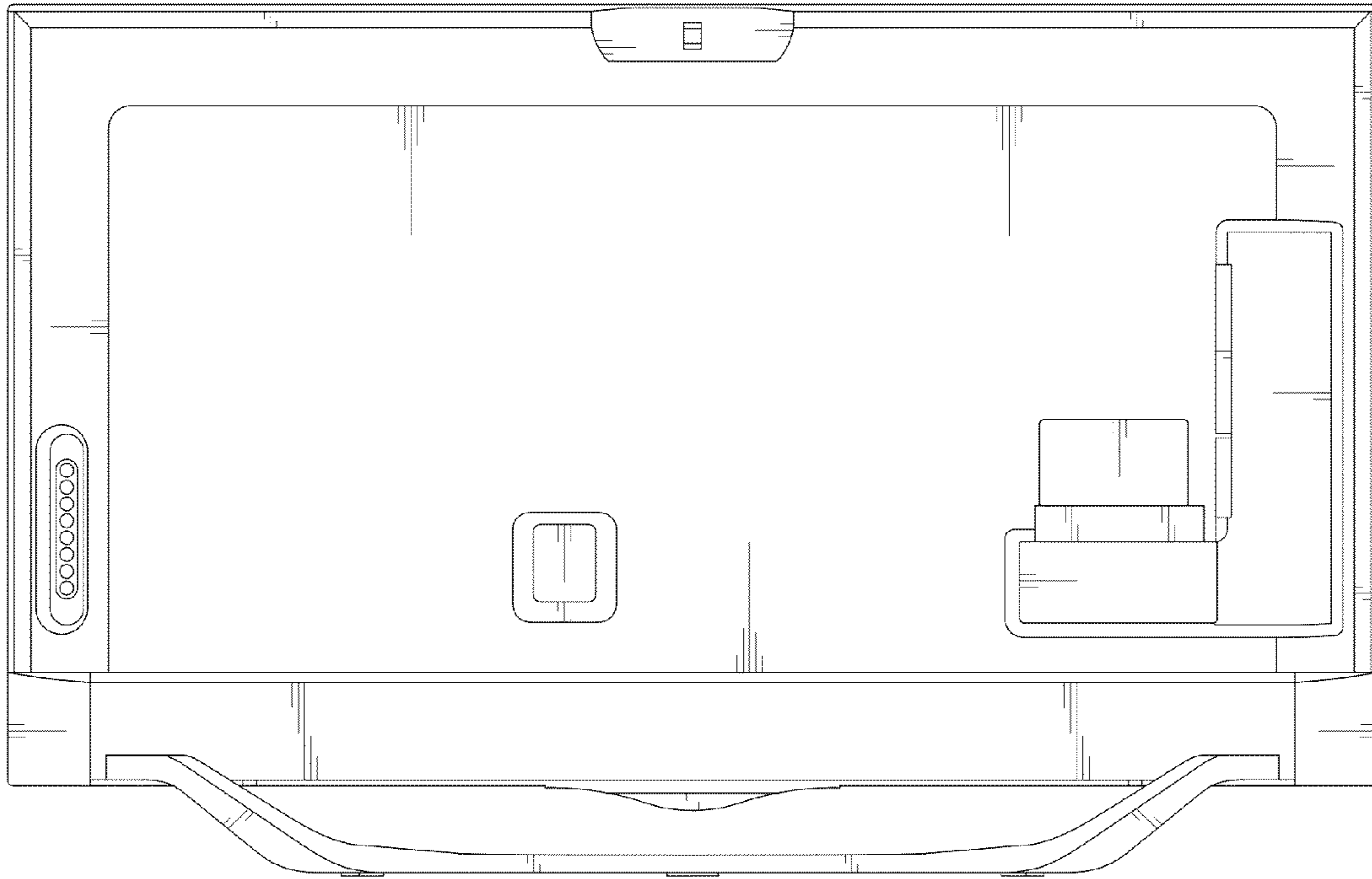


FIG. 4

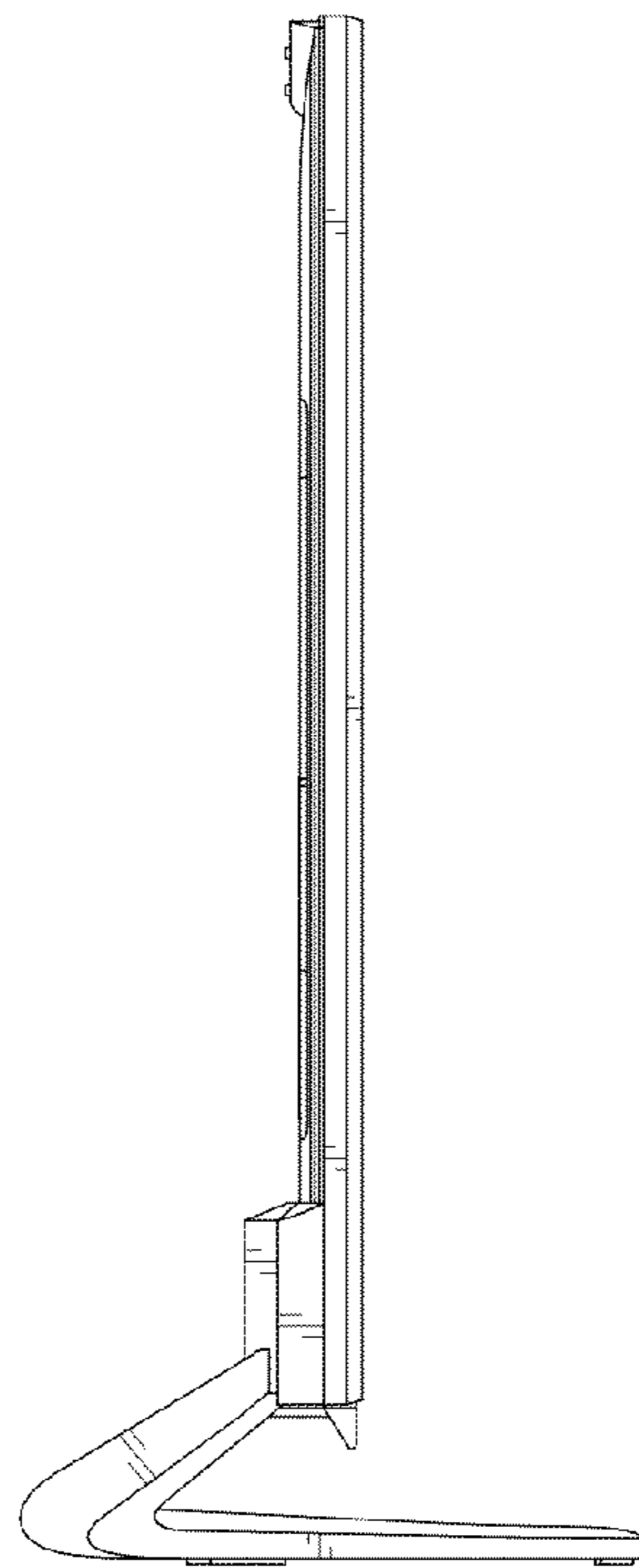


FIG. 5

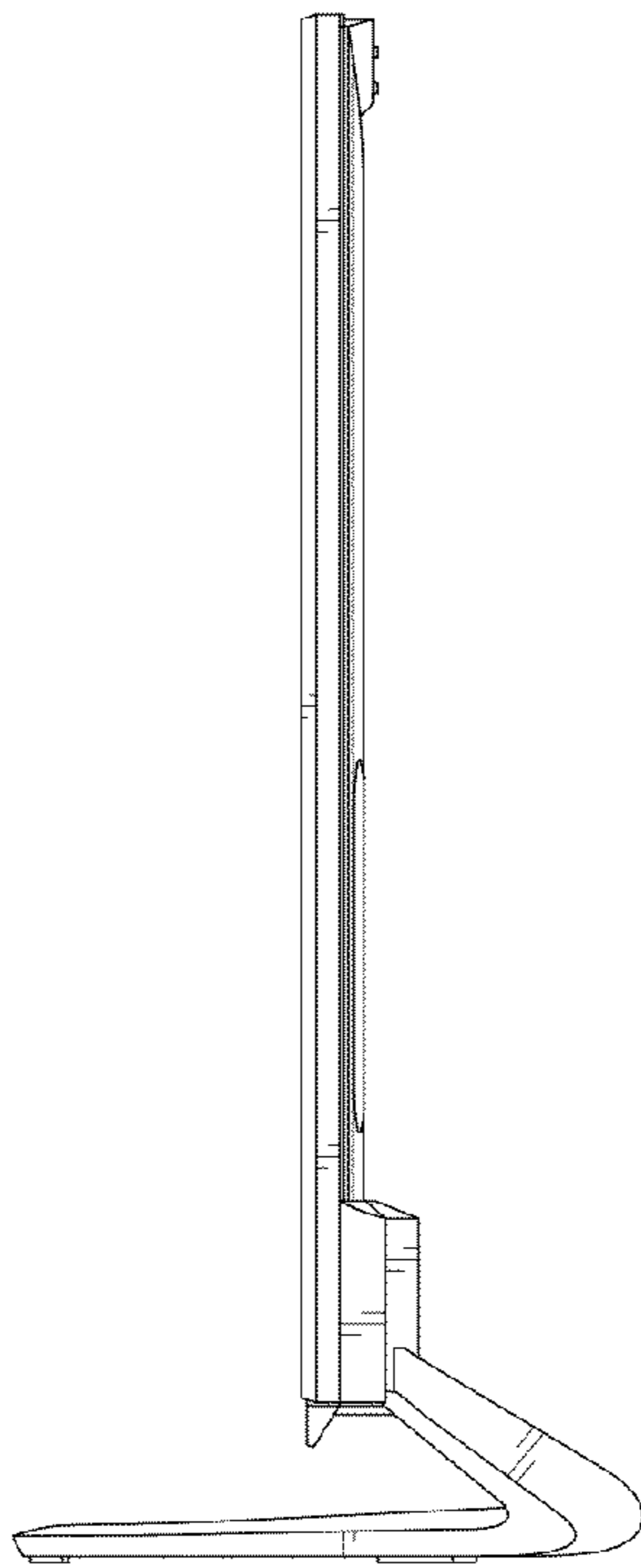


FIG. 6

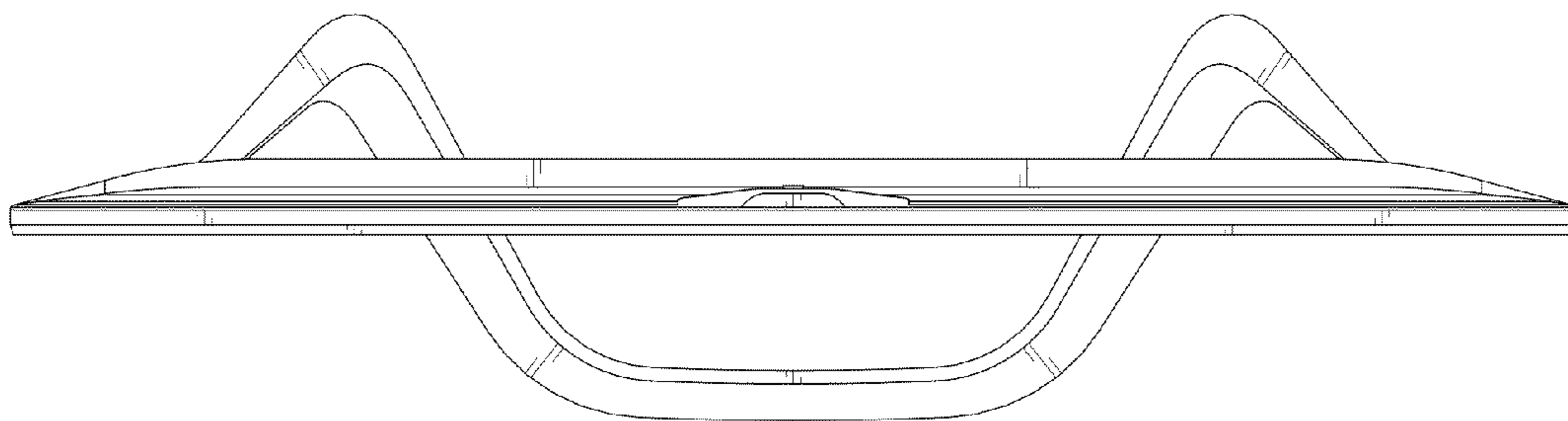


FIG. 7

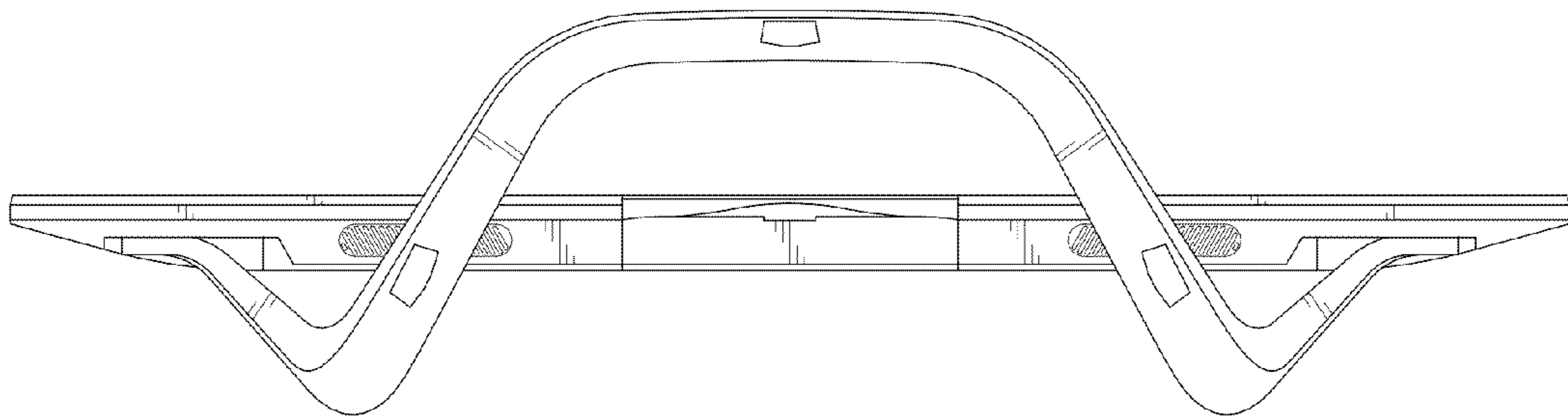


FIG. 8

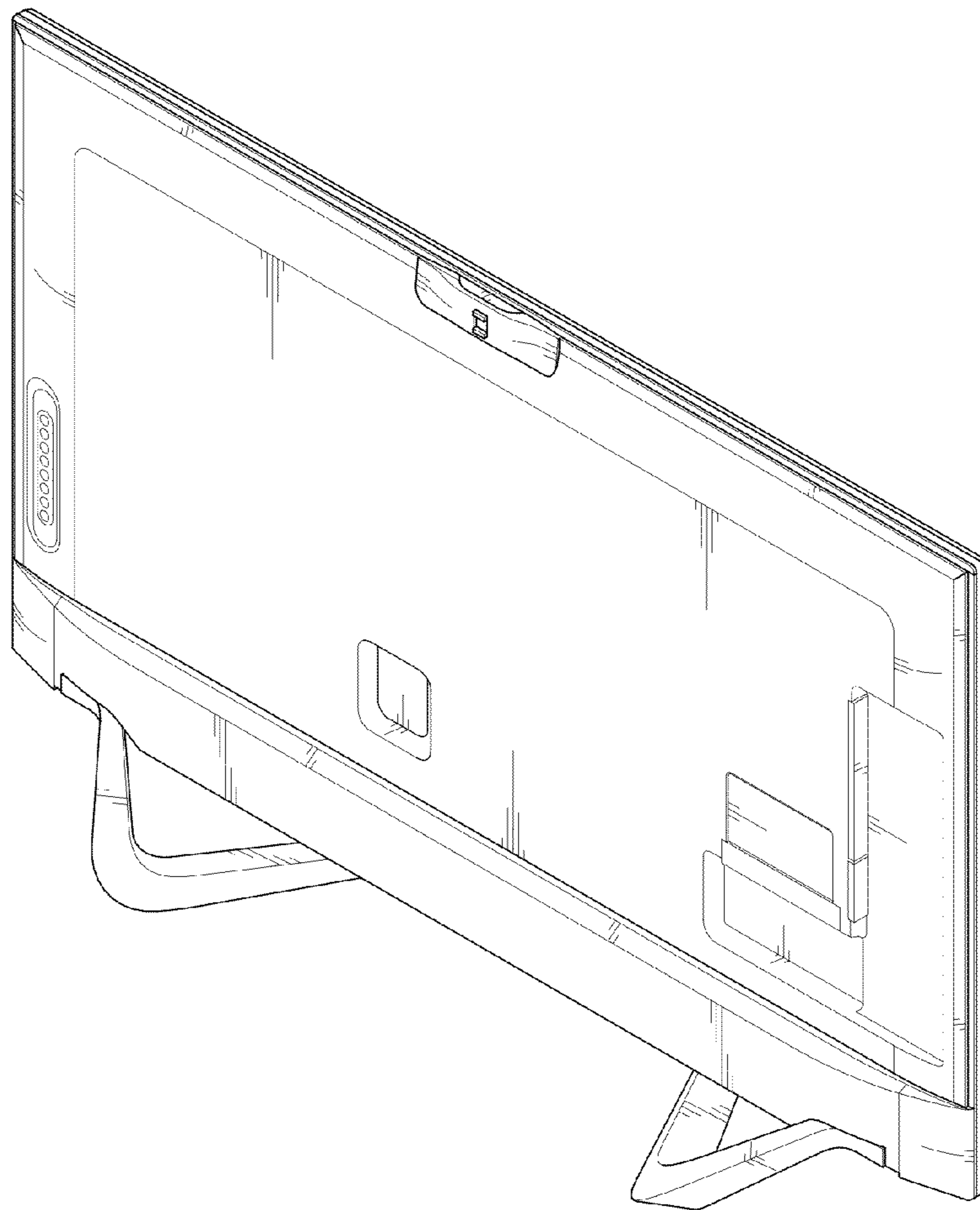


FIG. 9

