



US00D704154S

(12) **United States Design Patent**
Andrews et al.

(10) **Patent No.:** **US D704,154 S**
(45) **Date of Patent:** **** May 6, 2014**

- (54) **LIGHT EMITTER PACKAGE**
- (71) Applicant: **Cree, Inc.**, Durham, NC (US)
- (72) Inventors: **Peter Scott Andrews**, Durham, NC (US); **Kurt S. Wilcox**, Libertyville, IL (US)
- (73) Assignee: **Cree, Inc.**, Durham, NC (US)
- (**) Term: **14 Years**
- (21) Appl. No.: **29/433,842**
- (22) Filed: **Oct. 5, 2012**

Related U.S. Application Data

- (63) Continuation of application No. 29/417,704, filed on Apr. 6, 2012.
- (51) **LOC (10) Cl.** **13-03**
- (52) **U.S. Cl.**
USPC **D13/180**
- (58) **Field of Classification Search**
USPC D13/180; D26/1; 257/79, 80, 81, 88, 257/89, 95, 98, 99, 100, E33.058; 313/483, 313/498, 500; 362/555, 800
See application file for complete search history.

(56) **References Cited**

U.S. PATENT DOCUMENTS

4,946,547	A	8/1990	Palmour	
5,200,022	A	4/1993	Kong	
RE34,861	E	2/1995	Davis	
6,853,010	B2	2/2005	Slater, Jr.	
7,213,940	B1	5/2007	Van De Ven	
7,549,786	B2	6/2009	Higley	
7,790,485	B2 *	9/2010	Nomura et al.	438/27
7,791,061	B2	9/2010	Edmond	
7,821,023	B2	10/2010	Yuan	
D634,718	S *	3/2011	Chuang et al.	D13/180
7,967,652	B2	6/2011	Emerson	

8,044,418	B2 *	10/2011	Loh et al.	257/98
8,058,088	B2	11/2011	Cannon	
D650,343	S *	12/2011	Andrews et al.	D13/180
D658,139	S *	4/2012	Andrews et al.	D13/180
8,267,550	B2 *	9/2012	Wang	362/294

(Continued)

FOREIGN PATENT DOCUMENTS

EP	002114934-0001	10/2012
EP	002114934-0002	10/2012
JP	1485299	11/2013

OTHER PUBLICATIONS

U.S. Appl. No. 13/424,699 dated Mar. 20, 2012.

(Continued)

Primary Examiner — Selina Sikder

(74) *Attorney, Agent, or Firm* — Jenkins, Wilson, Taylor & Hunt, P.A.

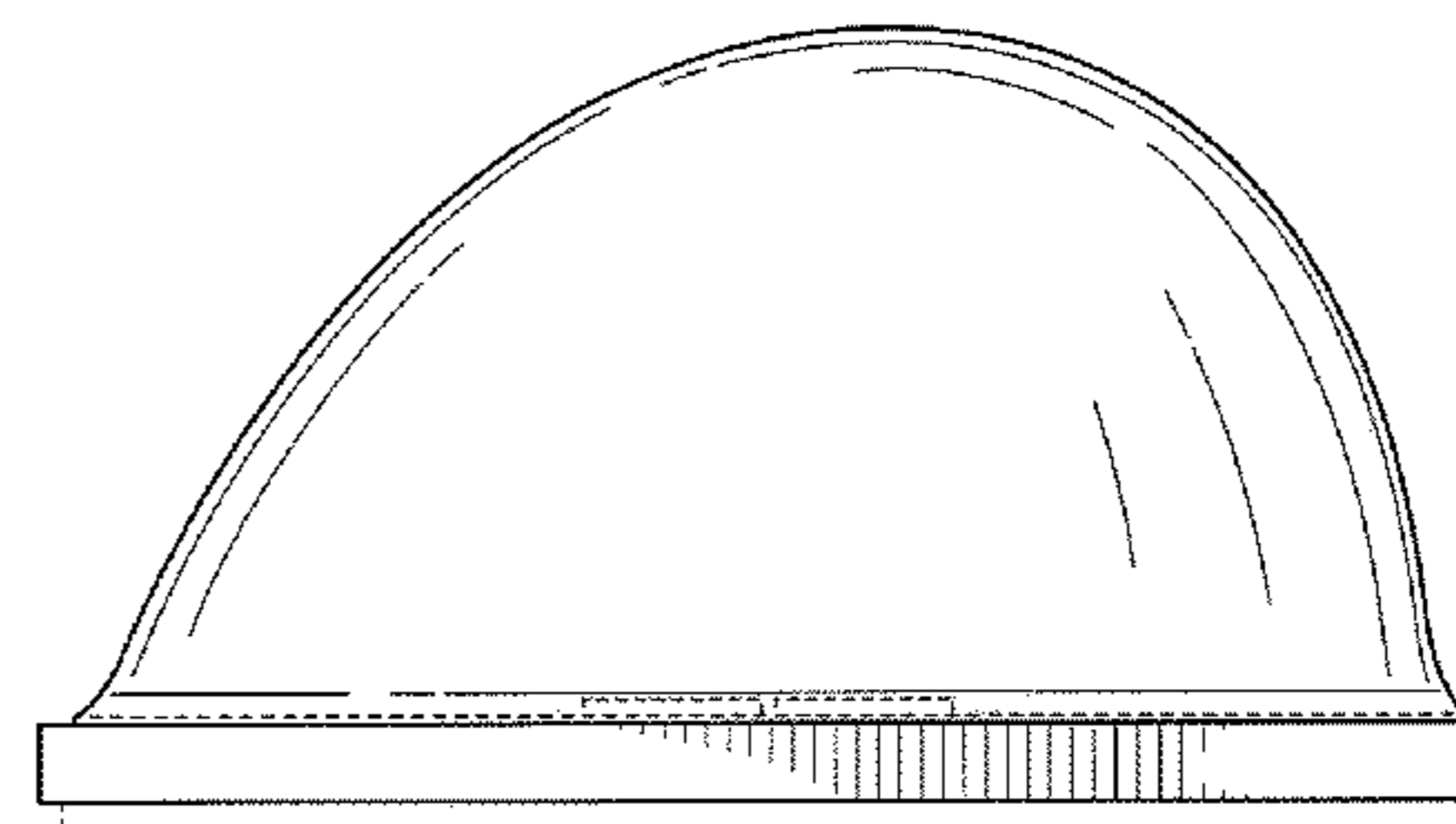
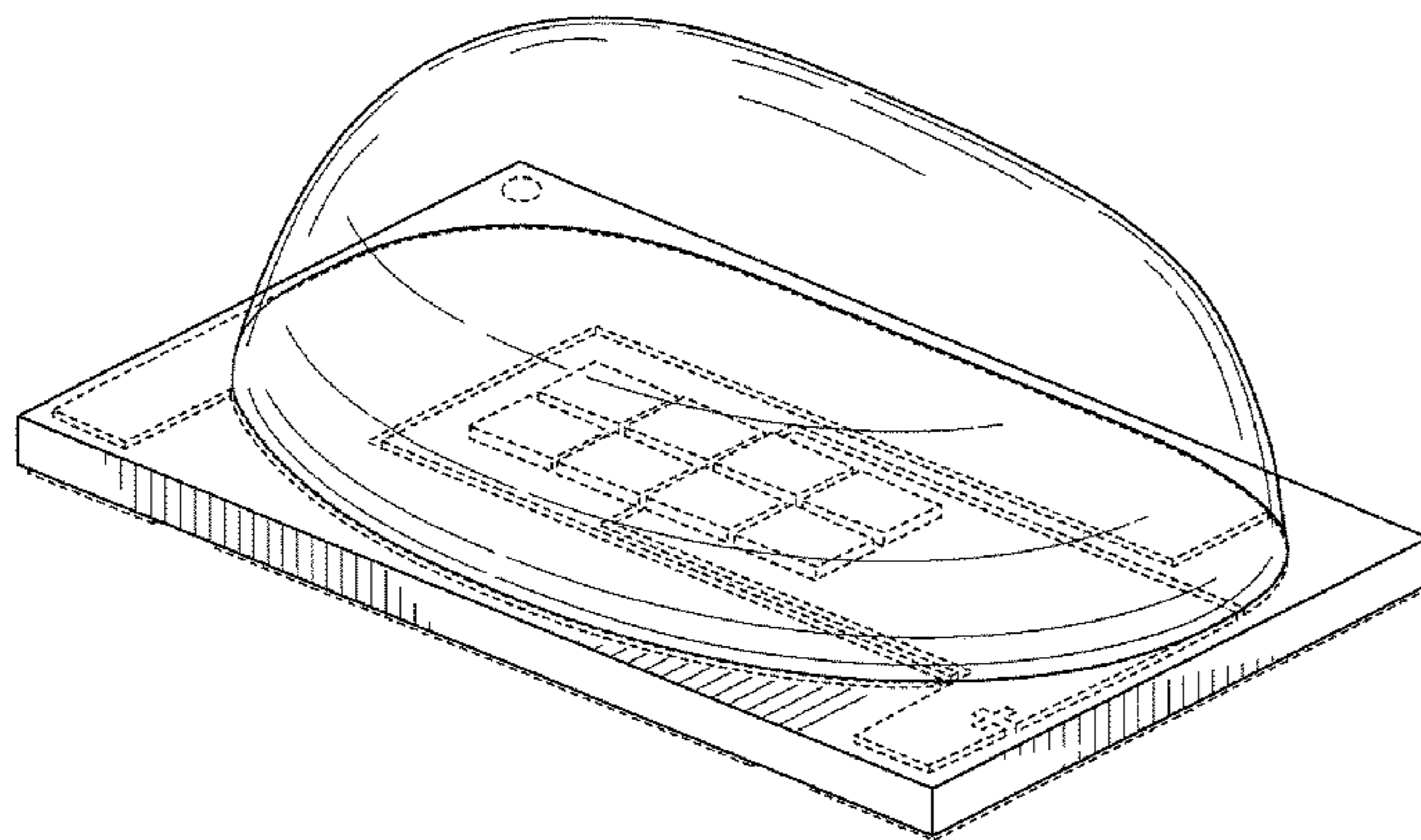
(57) **CLAIM**

The ornamental design for a light emitter package, as shown and described.

DESCRIPTION

FIG. 1 is a top perspective view of a light emitter package showing our design;
 FIG. 2 is a first side view thereof;
 FIG. 3 is a second side view thereof, opposite the view of FIG. 2;
 FIG. 4 is a third side view thereof;
 FIG. 5 is a fourth side view thereof, opposite the view of FIG. 4; and,
 FIG. 6 is a bottom plan view thereof.
 The broken lines are included for the purpose of illustrating environment of the design and form no part of the claimed design.

1 Claim, 4 Drawing Sheets



(56)

References Cited

U.S. PATENT DOCUMENTS

8,337,214 B2 12/2012 Sheek
8,379,407 B2 2/2013 Bibee
8,421,089 B2* 4/2013 Kim 257/79
2007/0158668 A1 7/2007 Tarsa
2008/0054286 A1* 3/2008 Loh et al. 257/98
2008/0173884 A1 7/2008 Chitnis
2008/0179611 A1 7/2008 Chitnis
2008/0258130 A1 10/2008 Bergmann
2009/0108281 A1 4/2009 Keller
2009/0283787 A1 11/2009 Donofrio
2010/0149771 A1 6/2010 Villard
2010/0155763 A1 6/2010 Donofrio
2011/0068696 A1 3/2011 Van De Ven
2011/0068702 A1 3/2011 Van De Ven
2011/0090691 A1 4/2011 Markle
2011/0220929 A1 9/2011 Collins
2011/0309396 A1* 12/2011 Wang et al. 257/98
2012/0068198 A1 3/2012 Andrews
2012/0193648 A1 8/2012 Donofrio

2012/0193649 A1 8/2012 Donofrio
2012/0193660 A1 8/2012 Donofrio
2012/0305949 A1 12/2012 Donofrio
2013/0092960 A1 4/2013 Wilcox et al.
2013/0256710 A1 10/2013 Andrews
2013/0270581 A1 10/2013 Lowes

OTHER PUBLICATIONS

Japanese Office Action for Application No. 2012-024518 dated Feb. 26, 2013.
Chinese Office Action for Application No. 201230476421.3 dated Jul. 18, 2013.
Japanese Invitation for Amendment for Application No. 2012-024518 dated Jul. 30, 2013.
Japanese Decision of Registration for Design Application No. 2012-024518 dated Sep. 24, 2013.
Restriction Requirement for U.S. Appl. No. 29/417,704 dated Oct. 2, 2013.
Chinese Office Action for Application No. 201230476421.3 dated Oct. 14, 2013.

* cited by examiner

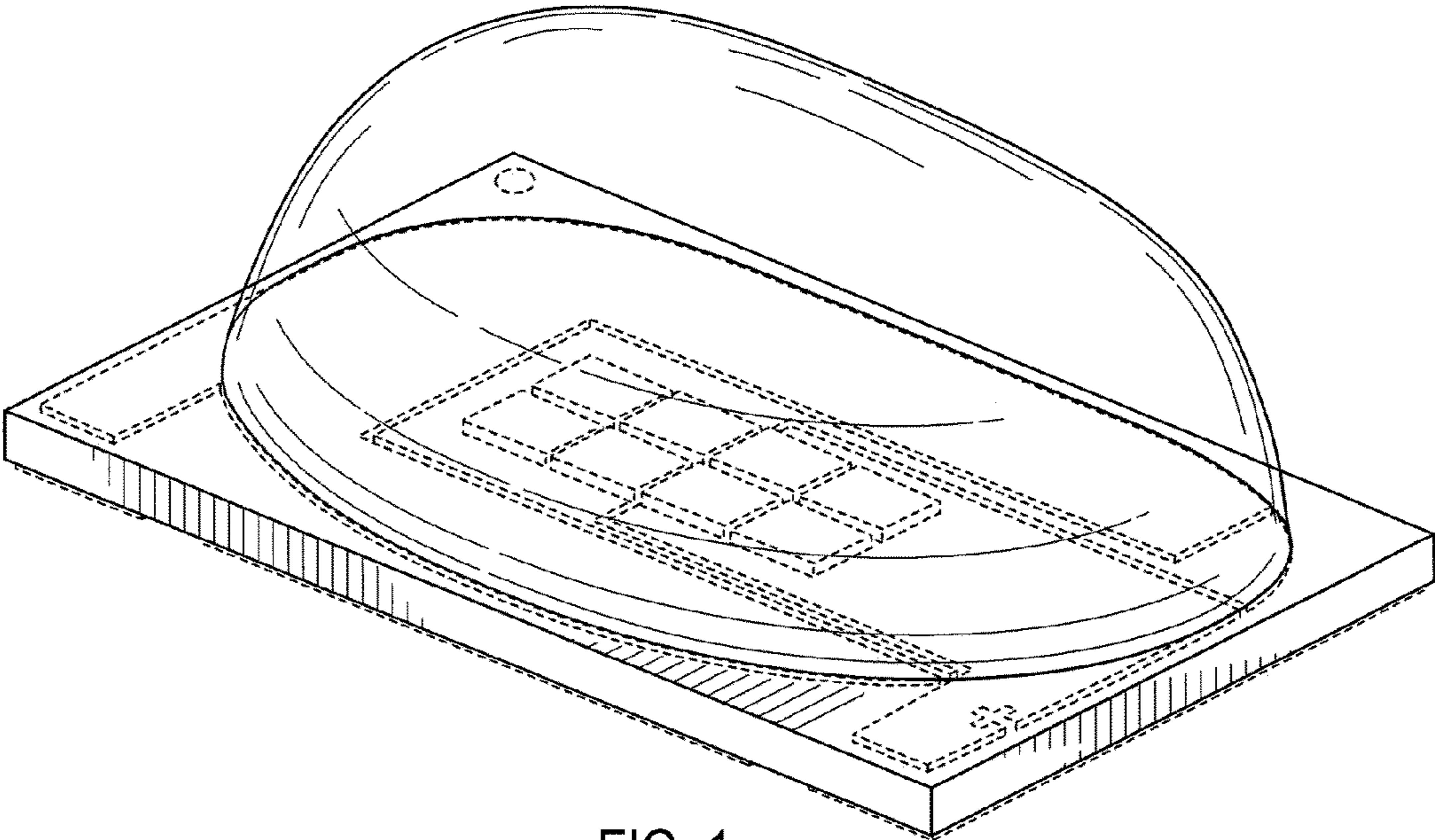


FIG. 1

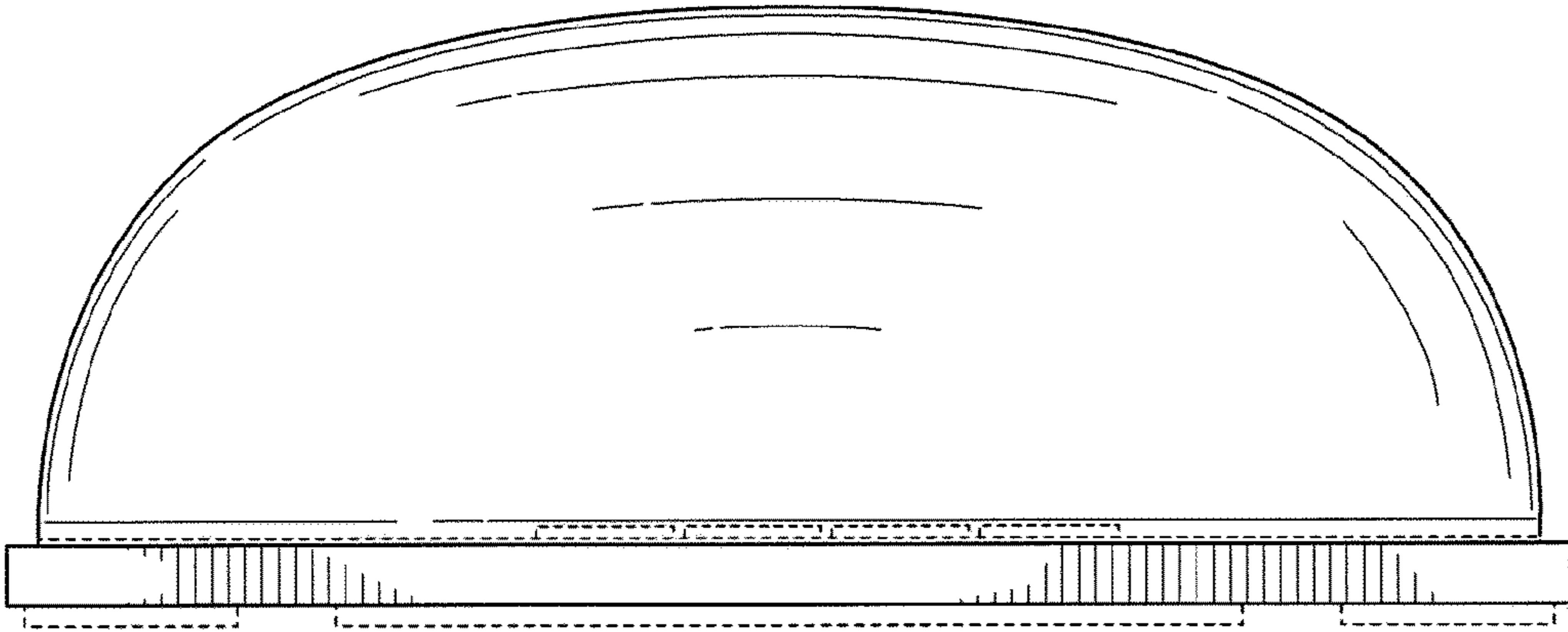


FIG. 2

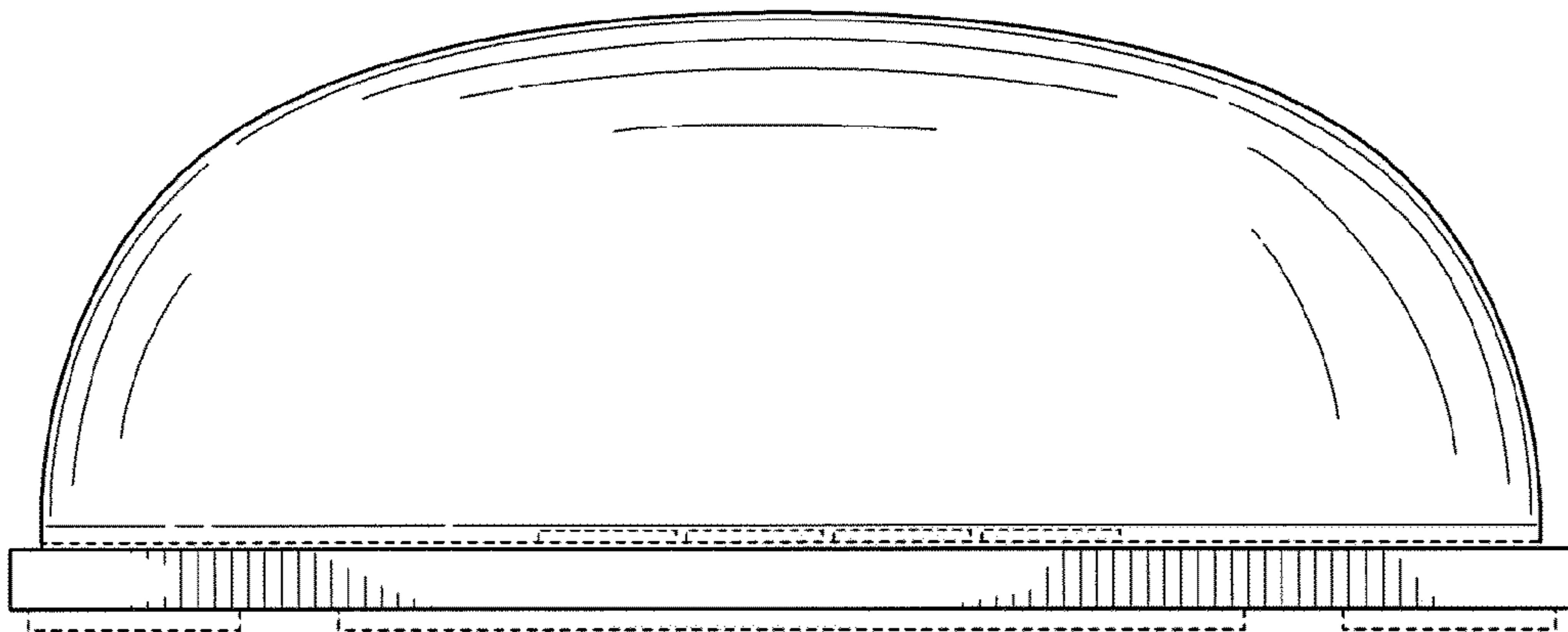


FIG. 3

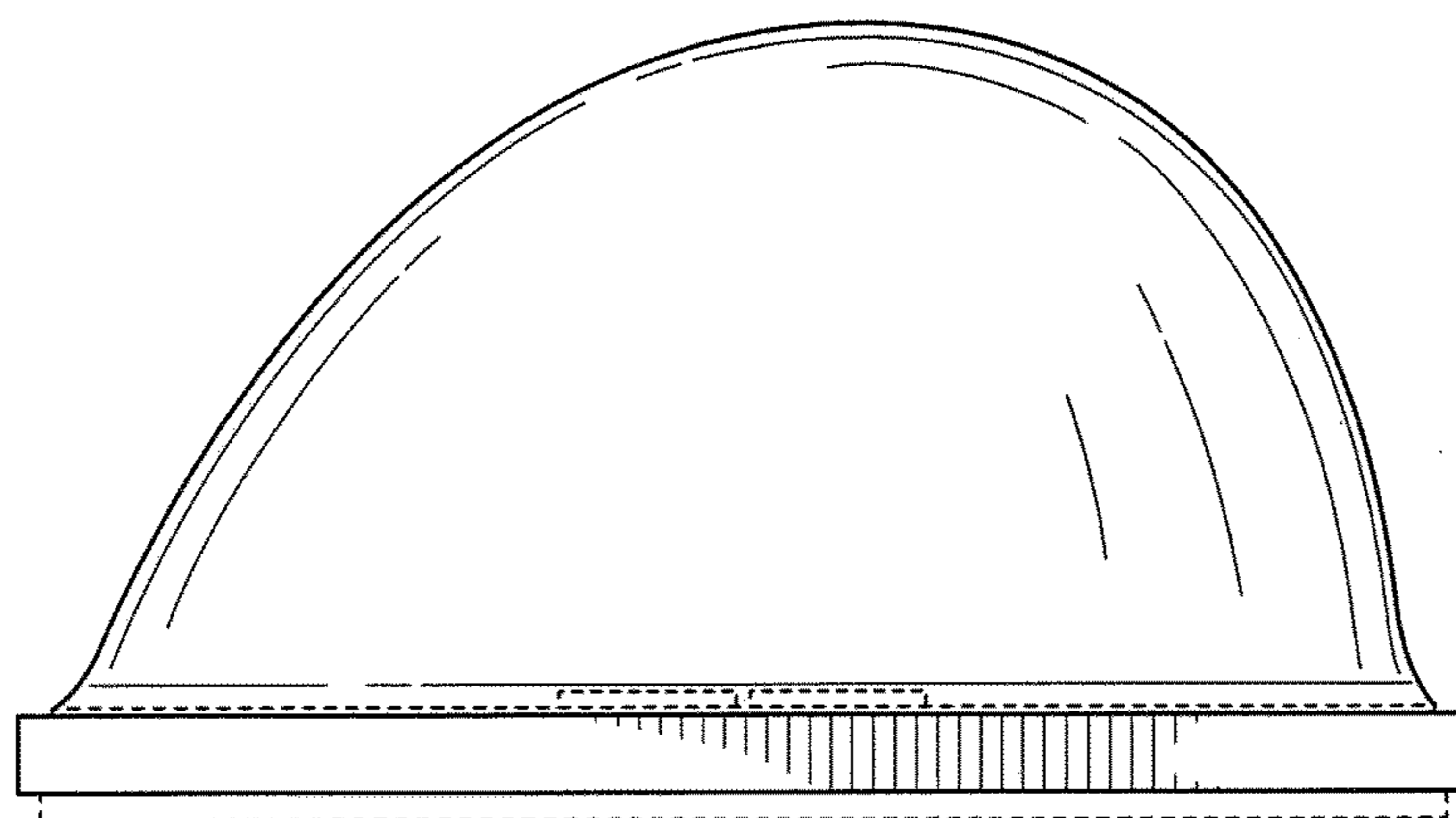


FIG. 4

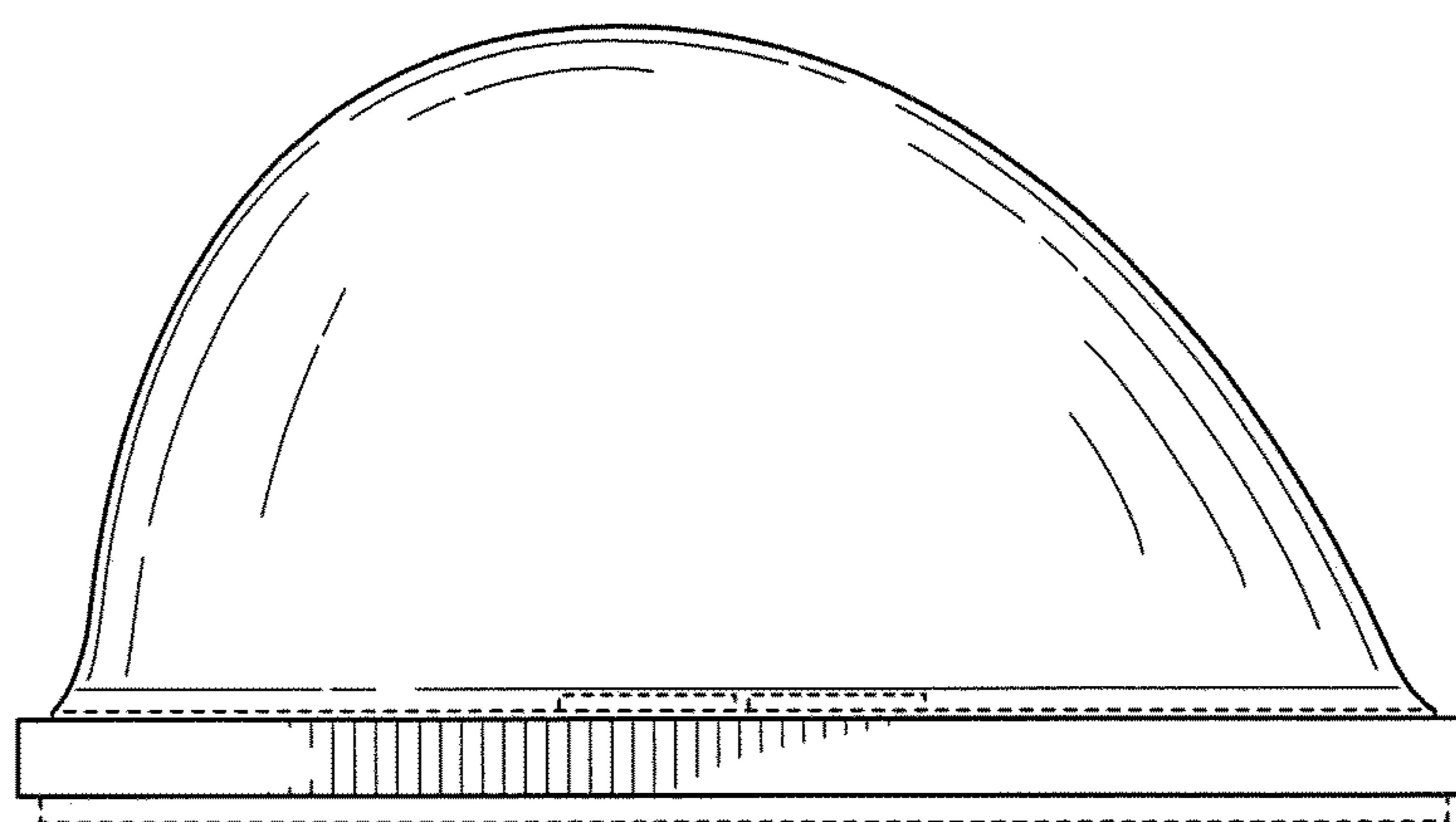


FIG. 5

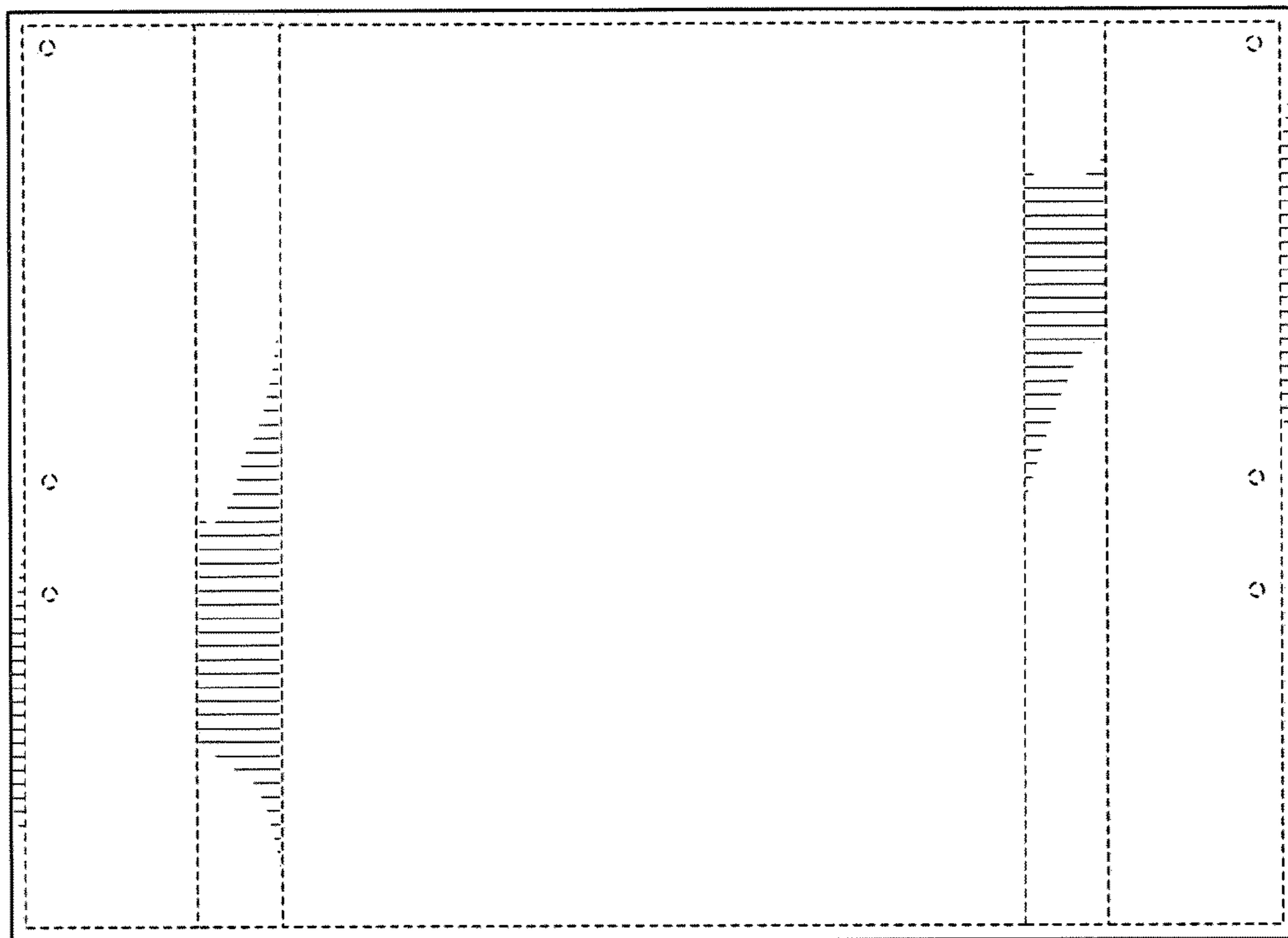


FIG. 6