



US00D704151S

(12) **United States Design Patent**
Jacoby et al.

(10) **Patent No.:** **US D704,151 S**
(45) **Date of Patent:** **** May 6, 2014**

(54) **TABLETOP REMOTE LOAD CONTROL DEVICE**

(75) Inventors: **Elliot Jacoby**, Glenside, PA (US); **Erica L. Clymer**, Nazareth, PA (US); **Gregory Altonen**, Easton, PA (US)

(73) Assignee: **Lutron Electronics Co., Inc.**, Coopersburg, PA (US)

(**) Term: **14 Years**

(21) Appl. No.: **29/429,611**

(22) Filed: **Aug. 14, 2012**

(51) **LOC (10) Cl.** **13-03**

(52) **U.S. Cl.**
USPC **D13/168**

(58) **Field of Classification Search**
USPC D13/164, 168, 174; D10/104.1, 106.1; D14/218; D6/675.4; 211/26.1; 315/158, 295; 340/4.3, 4.42, 12.22, 340/12.23, 12.24, 12.29, 12.3, 13.2, 13.21, 340/13.24; 341/176; 345/169; 348/734; 455/352; 700/17, 65, 83
See application file for complete search history.

(56) **References Cited**

U.S. PATENT DOCUMENTS

4,991,817	A *	2/1991	VonKleist et al.	248/676
5,370,238	A *	12/1994	Czajkowski et al.	211/26.1
D360,780	S *	8/1995	Kennedy, Jr.	D6/449
D426,985	S *	6/2000	Casalino	D6/466
D593,545	S *	6/2009	Jackson	D14/218
7,642,912	B2 *	1/2010	Sholem	340/539.32
D616,836	S	6/2010	Felegy, Jr. et al.	
D619,105	S	7/2010	Felegy, Jr. et al.	
D619,544	S	7/2010	Petrillo et al.	

D619,971	S	7/2010	Felegy, Jr. et al.	
D627,307	S	11/2010	Petrillo et al.	
D636,739	S	4/2011	Petrillo et al.	
D640,209	S	6/2011	Felegy, Jr. et al.	
D658,594	S	5/2012	Felegy, Jr. et al.	
D661,664	S	6/2012	Felegy, Jr. et al.	
D666,162	S	8/2012	Petrillo et al.	
D669,038	S *	10/2012	Felegy et al.	D13/168
8,330,638	B2 *	12/2012	Altonen et al.	341/176
8,469,204	B1 *	6/2013	Bradshaw	211/26.1
D694,197	S *	11/2013	Felegy et al.	D13/168

* cited by examiner

Primary Examiner — Selina Sikder

(74) *Attorney, Agent, or Firm* — Condo Roccia Koptiw LLP

(57) **CLAIM**

We claim the ornamental design for a tabletop remote load control device, as shown and described.

DESCRIPTION

FIG. 1 is a perspective view of a tabletop remote load control device according to our new design.

FIG. 2 is a front view of the embodiment depicted in FIG. 1.

FIG. 3 is a left side view of the embodiment depicted in FIG. 1.

FIG. 4 is a right side view of the embodiment depicted in FIG. 1.

FIG. 5 is a top view of the embodiment depicted in FIG. 1; and,

FIG. 6 is a bottom view of the embodiment depicted in FIG. 1.

The rear view forms no part of the design and is omitted. The portions of the drawings appearing in broken line are for environment only and do not form a part of the claimed design.

The rear view forms no part of the design and is omitted. The portions of the drawings appearing in broken line are for environment only and do not form a part of the claimed design.

The rear view forms no part of the design and is omitted. The portions of the drawings appearing in broken line are for environment only and do not form a part of the claimed design.

The rear view forms no part of the design and is omitted. The portions of the drawings appearing in broken line are for environment only and do not form a part of the claimed design.

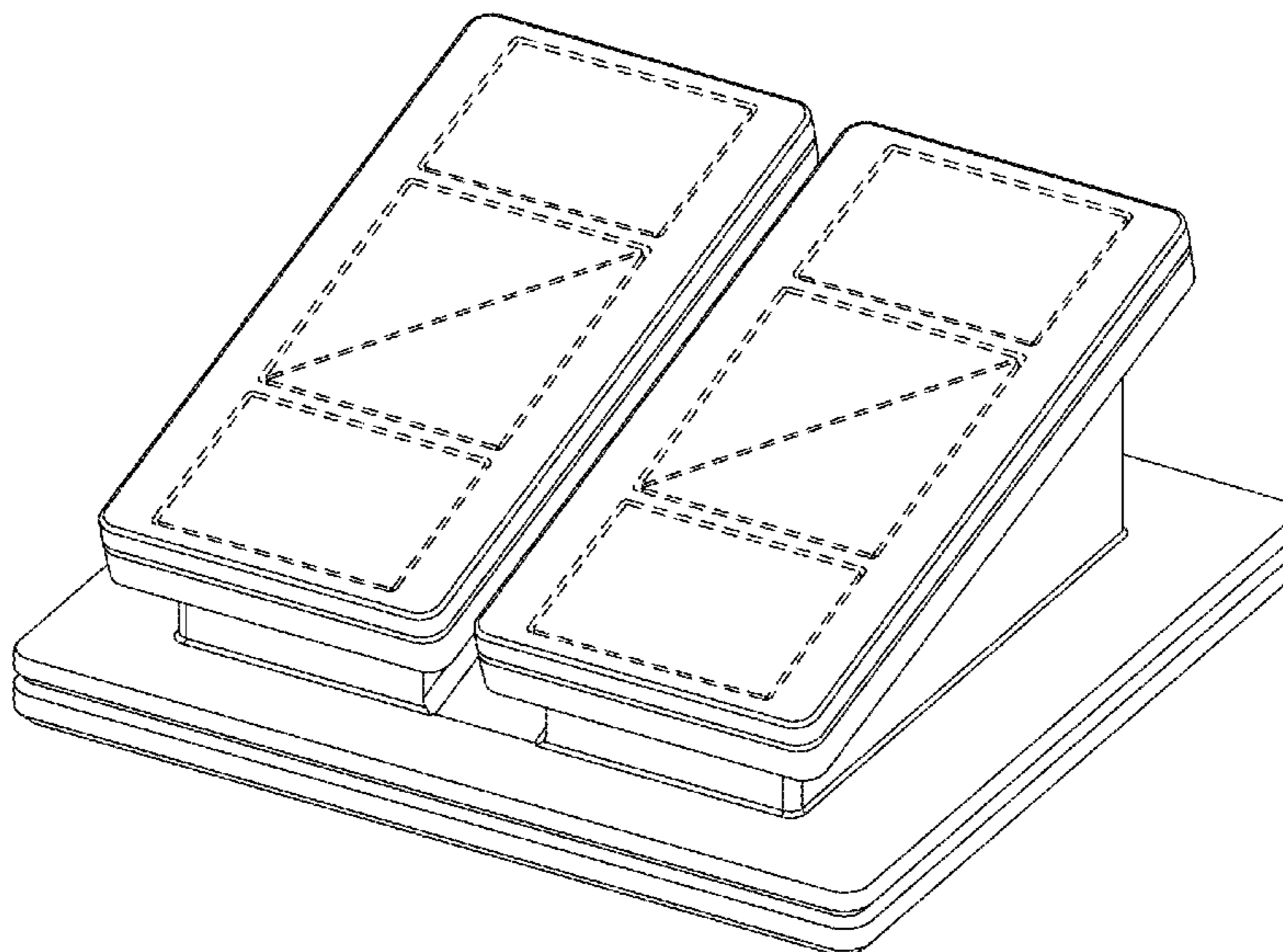
The rear view forms no part of the design and is omitted. The portions of the drawings appearing in broken line are for environment only and do not form a part of the claimed design.

The rear view forms no part of the design and is omitted. The portions of the drawings appearing in broken line are for environment only and do not form a part of the claimed design.

The rear view forms no part of the design and is omitted. The portions of the drawings appearing in broken line are for environment only and do not form a part of the claimed design.

The rear view forms no part of the design and is omitted. The portions of the drawings appearing in broken line are for environment only and do not form a part of the claimed design.

1 Claim, 4 Drawing Sheets



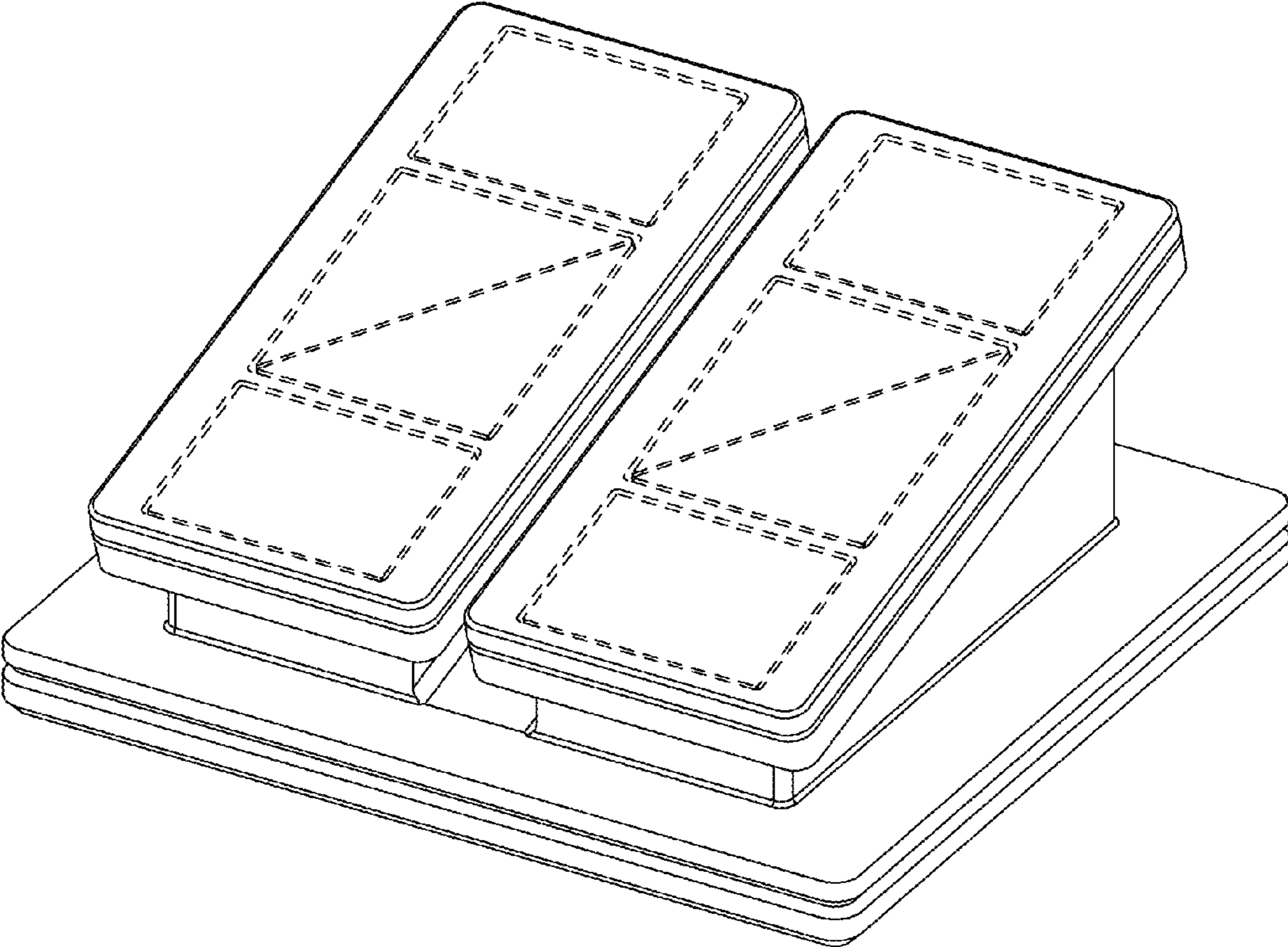


Fig. 1

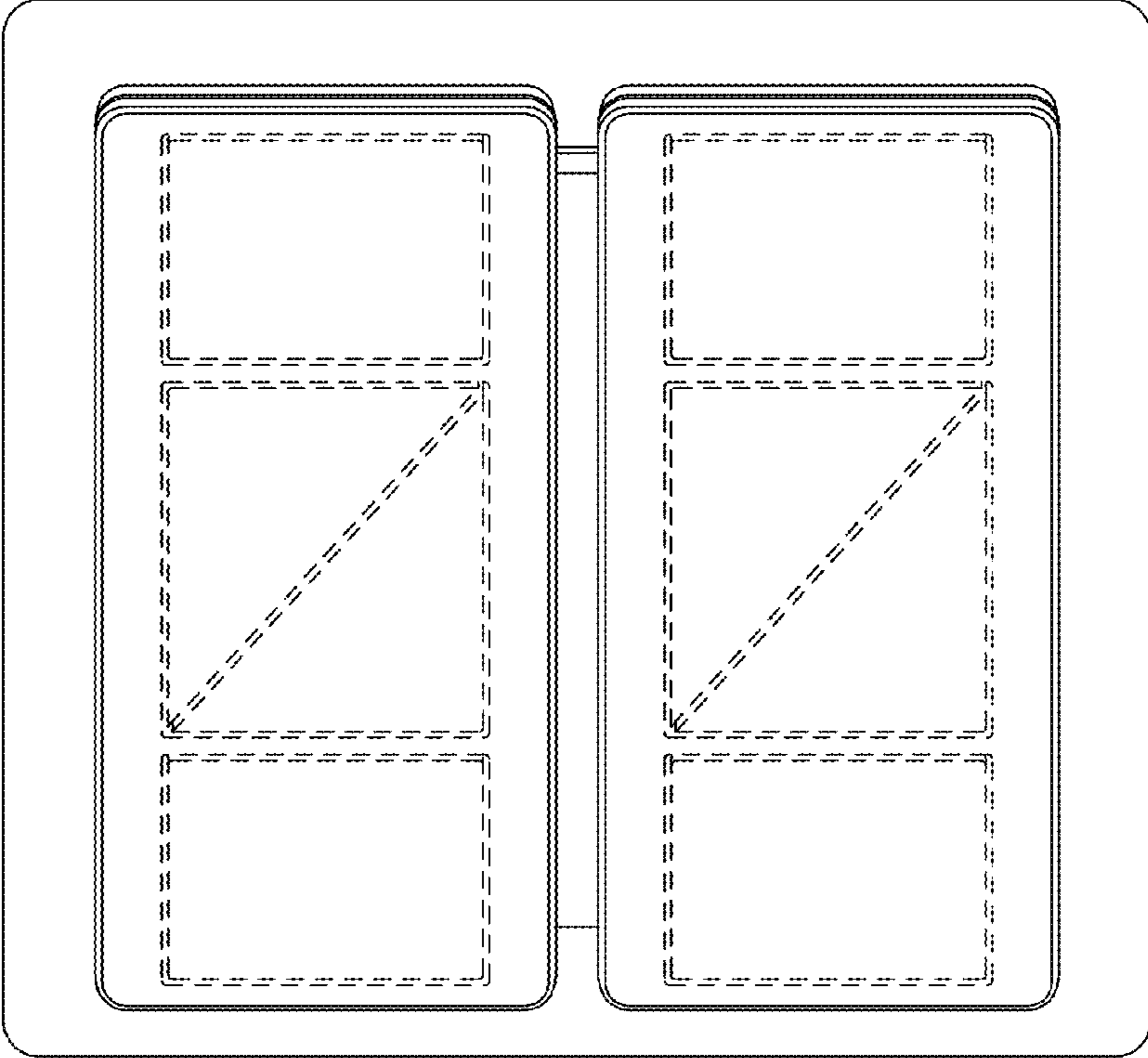


Fig. 2

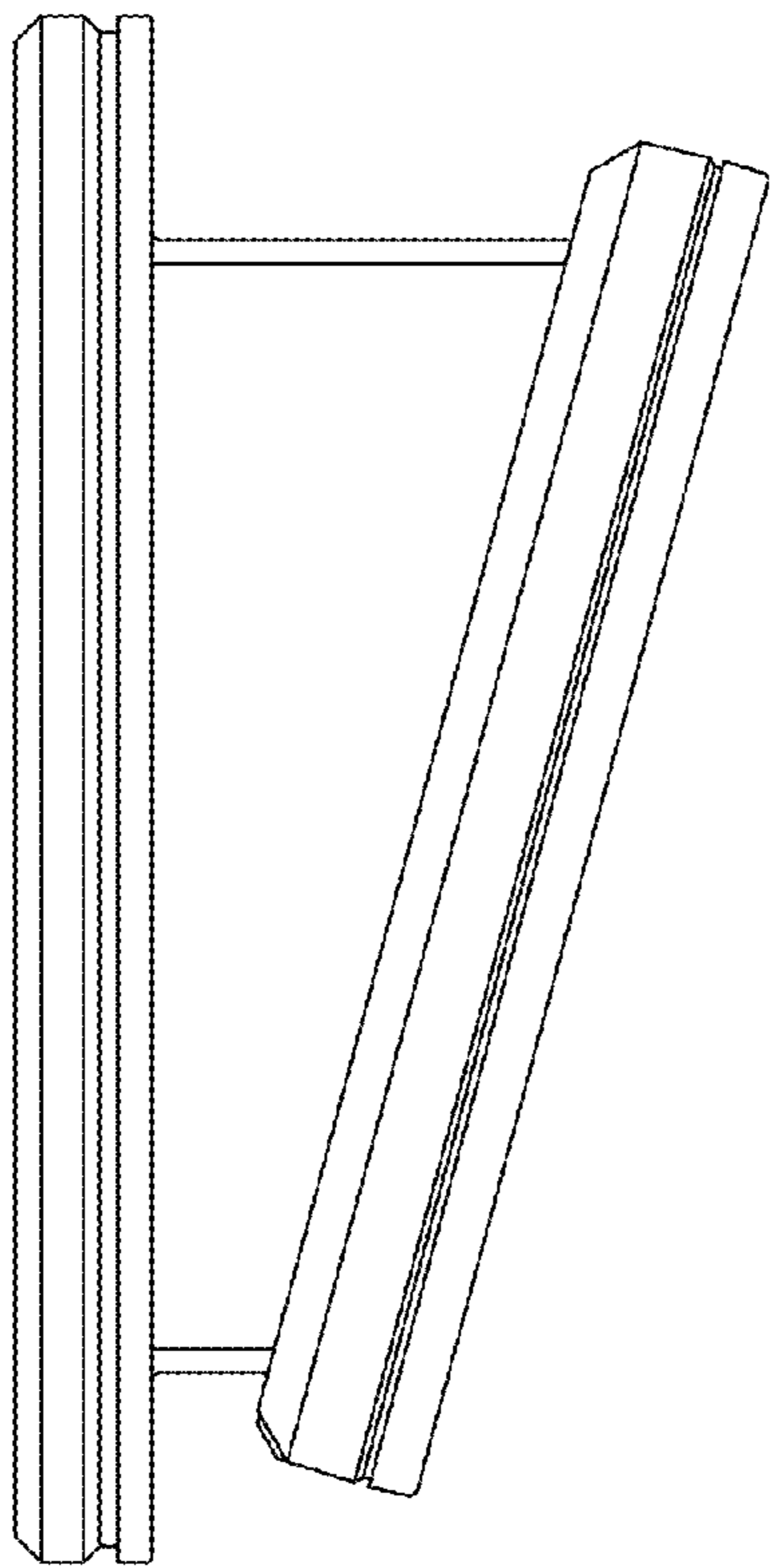


Fig. 3

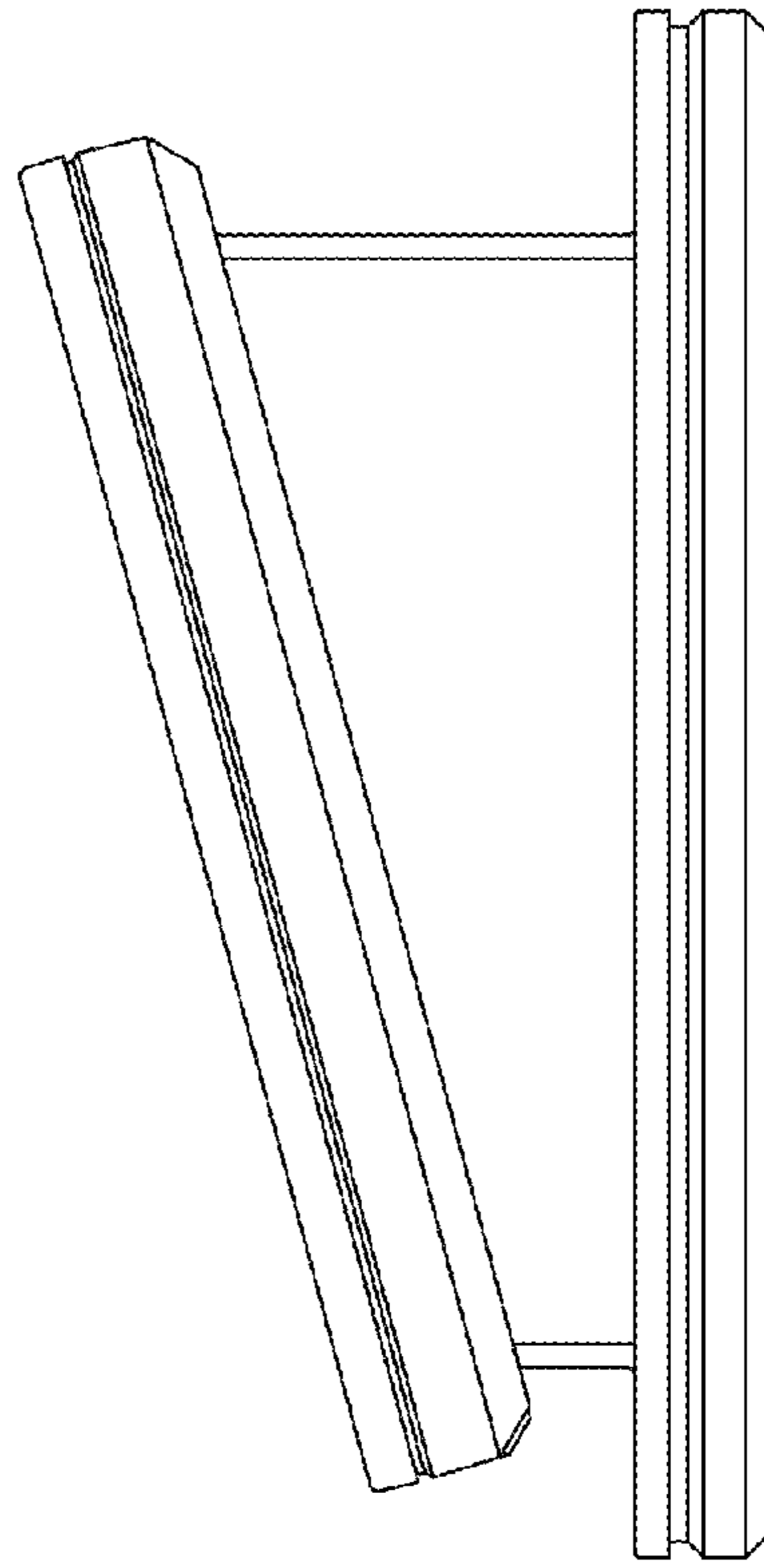


Fig. 4

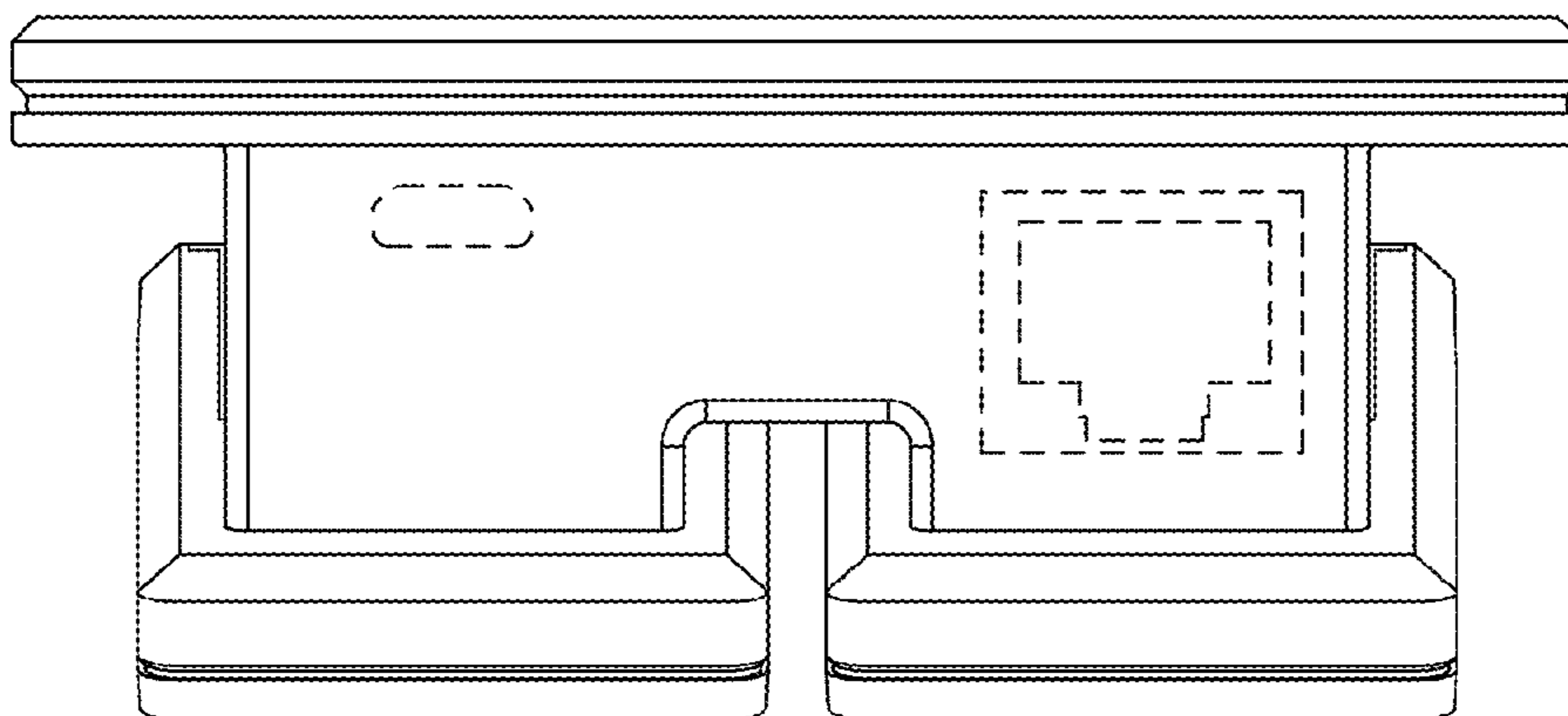


Fig. 5

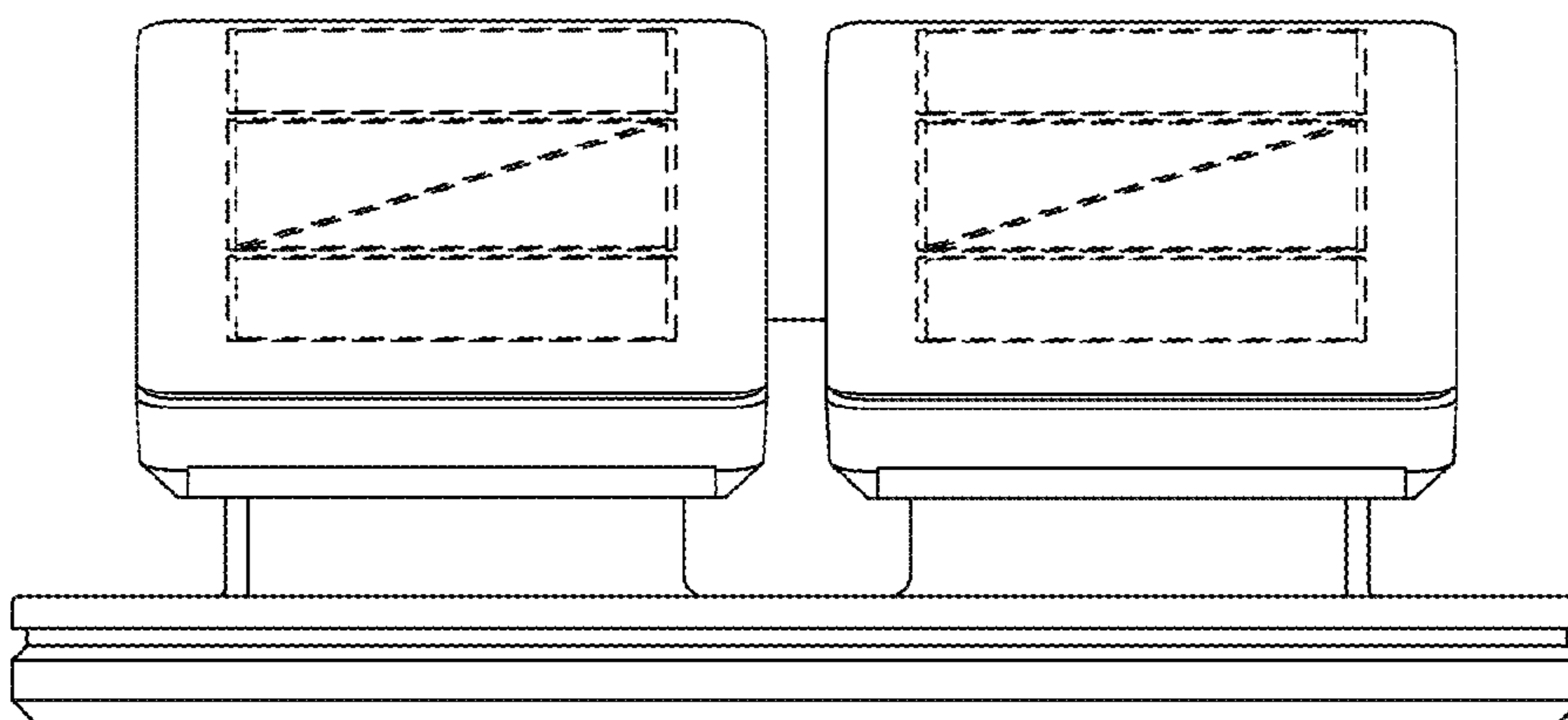


Fig. 6