



US00D704150S

(12) **United States Design Patent**  
**Chen et al.**

(10) **Patent No.:** **US D704,150 S**

(45) **Date of Patent:** **\*\* May 6, 2014**

(54) **ELECTRONIC CONTROL DEVICE**

(71) Applicant: **Beijing HollySys Co., Ltd.**, Beijing (CN)

(72) Inventors: **Chuan Chen**, Beijing (CN); **Jun Wei**, Beijing (CN); **Xinhui Zhou**, Beijing (CN); **Meng Li**, Beijing (CN)

(73) Assignee: **Beijing HollySys Co., Ltd.** (CN)

(\*\*) Term: **14 Years**

(21) Appl. No.: **29/454,937**

(22) Filed: **May 15, 2013**

(51) **LOC (10) Cl.** ..... **13-03**

(52) **U.S. Cl.**  
USPC ..... **D13/162.1**

(58) **Field of Classification Search**  
USPC ..... D13/162, 162.1; D14/439; 361/622, 361/627, 628, 679.01, 679.02, 679.4, 361/679.46, 728, 729, 730; 362/23.09; 700/2, 12, 7, 17, 18; 710/5, 18-20, 52; 714/46

See application file for complete search history.

(56) **References Cited**

**U.S. PATENT DOCUMENTS**

D281,493 S \* 11/1985 Prager et al. .... D13/162.1  
D307,263 S \* 4/1990 Ishida ..... D13/162.1

D309,446 S \* 7/1990 Russell ..... D13/162.1  
D309,600 S \* 7/1990 Backes ..... D13/162.1  
4,985,803 A \* 1/1991 Pum et al. .... 361/679.46  
D409,155 S \* 5/1999 Goletto ..... D13/162.1  
6,418,027 B1 \* 7/2002 Suzuki et al. .... 361/729  
6,594,529 B1 \* 7/2003 Boggs et al. .... 700/12  
D527,349 S \* 8/2006 Lee ..... D13/162.1  
D598,867 S \* 8/2009 Nada et al. .... D13/162.1  
D692,397 S \* 10/2013 Liu et al. .... D13/162.1  
D695,235 S \* 12/2013 Liu et al. .... D13/162.1

\* cited by examiner

*Primary Examiner* — Selina Sikder

(74) *Attorney, Agent, or Firm* — Banner & Witcoff, Ltd.

(57) **CLAIM**

The ornamental design for an electronic control device, as shown and described.

**DESCRIPTION**

FIG. 1 is a front view of an electronic control device showing our new design;

FIG. 2 is a rear view thereof;

FIG. 3 is a left side view thereof;

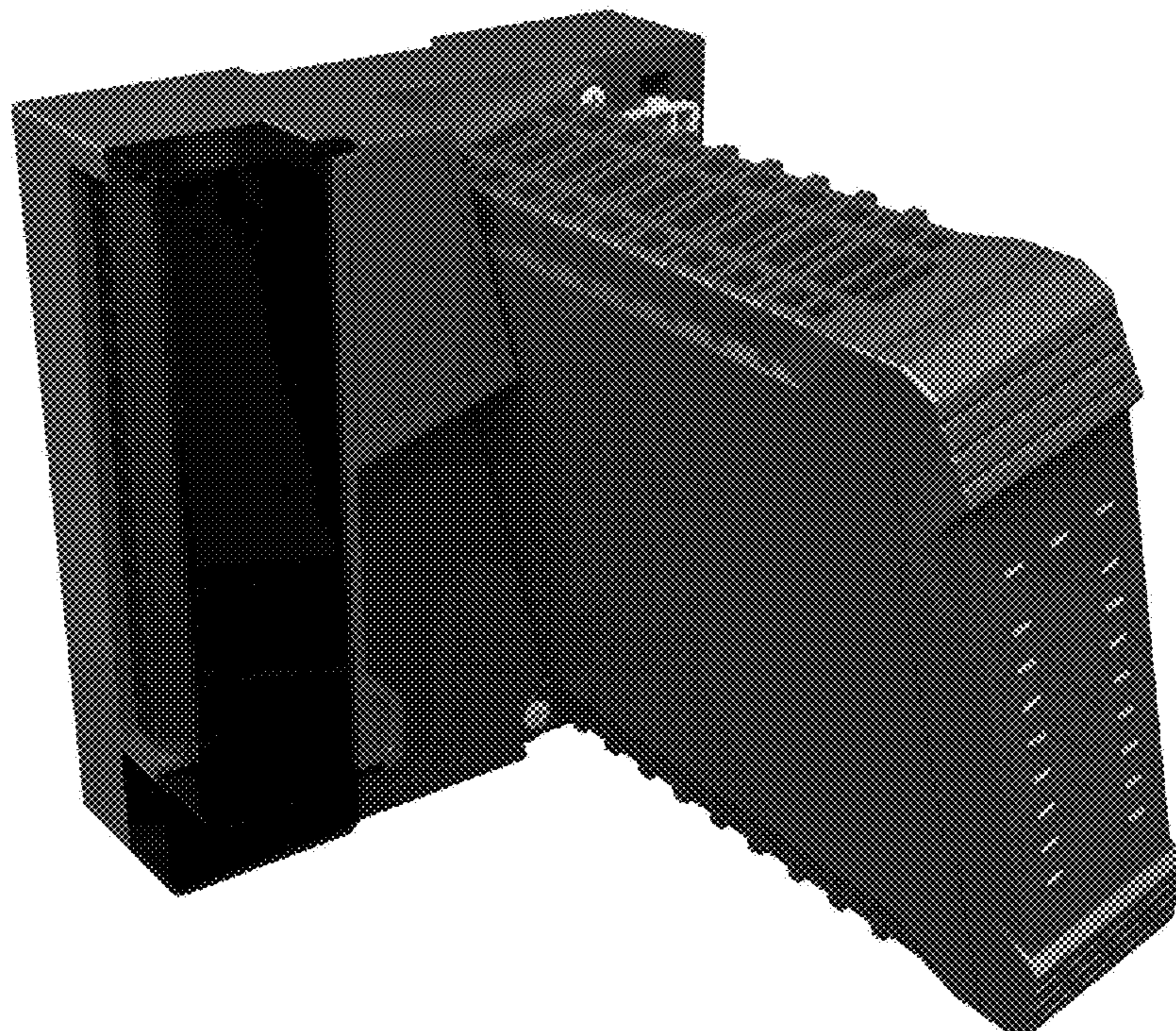
FIG. 4 is a right side view thereof;

FIG. 5 is a top plan view thereof;

FIG. 6 is a bottom plan view thereof; and,

FIG. 7 is a perspective view thereof.

**1 Claim, 7 Drawing Sheets**





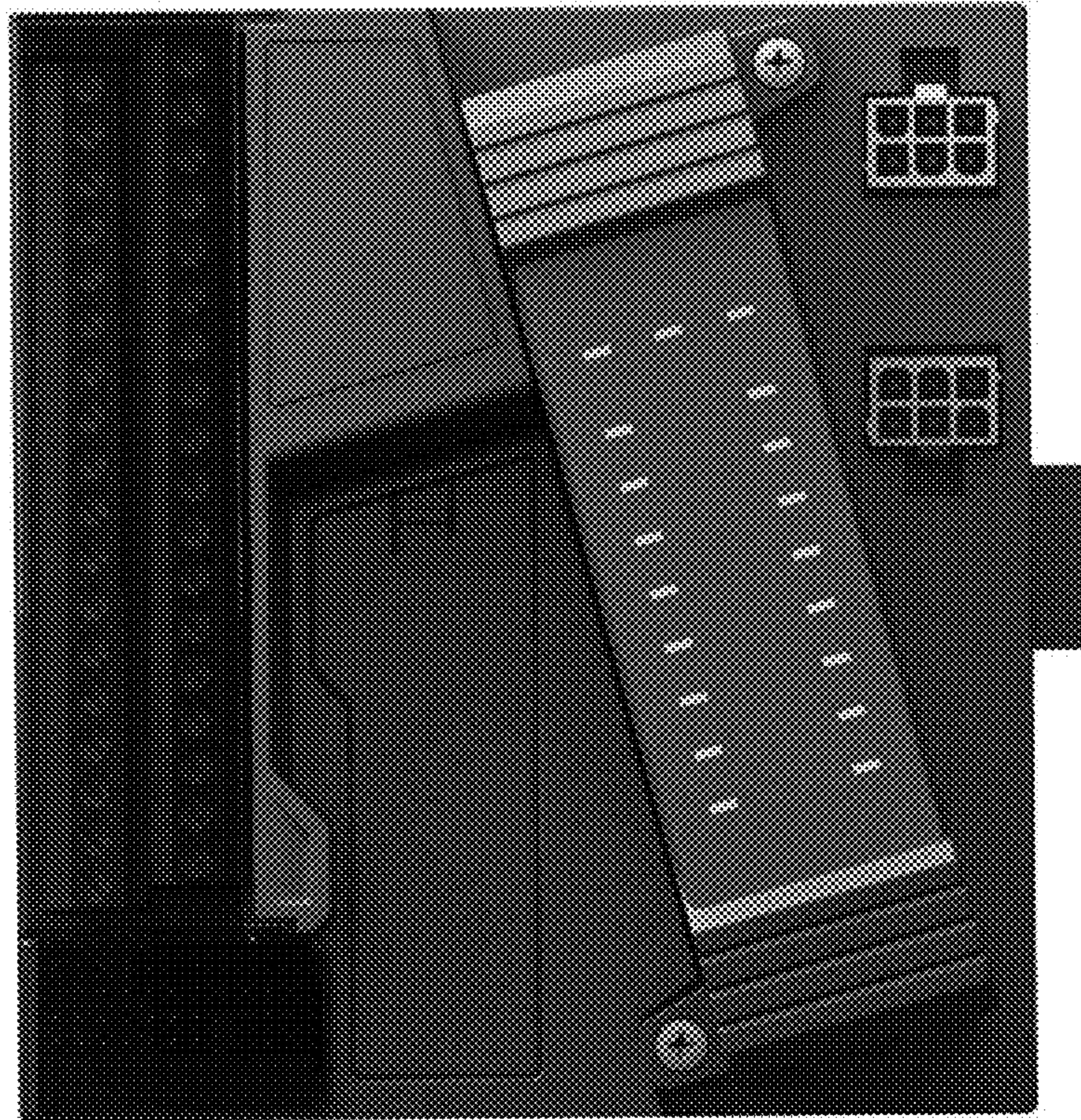


FIG. 1



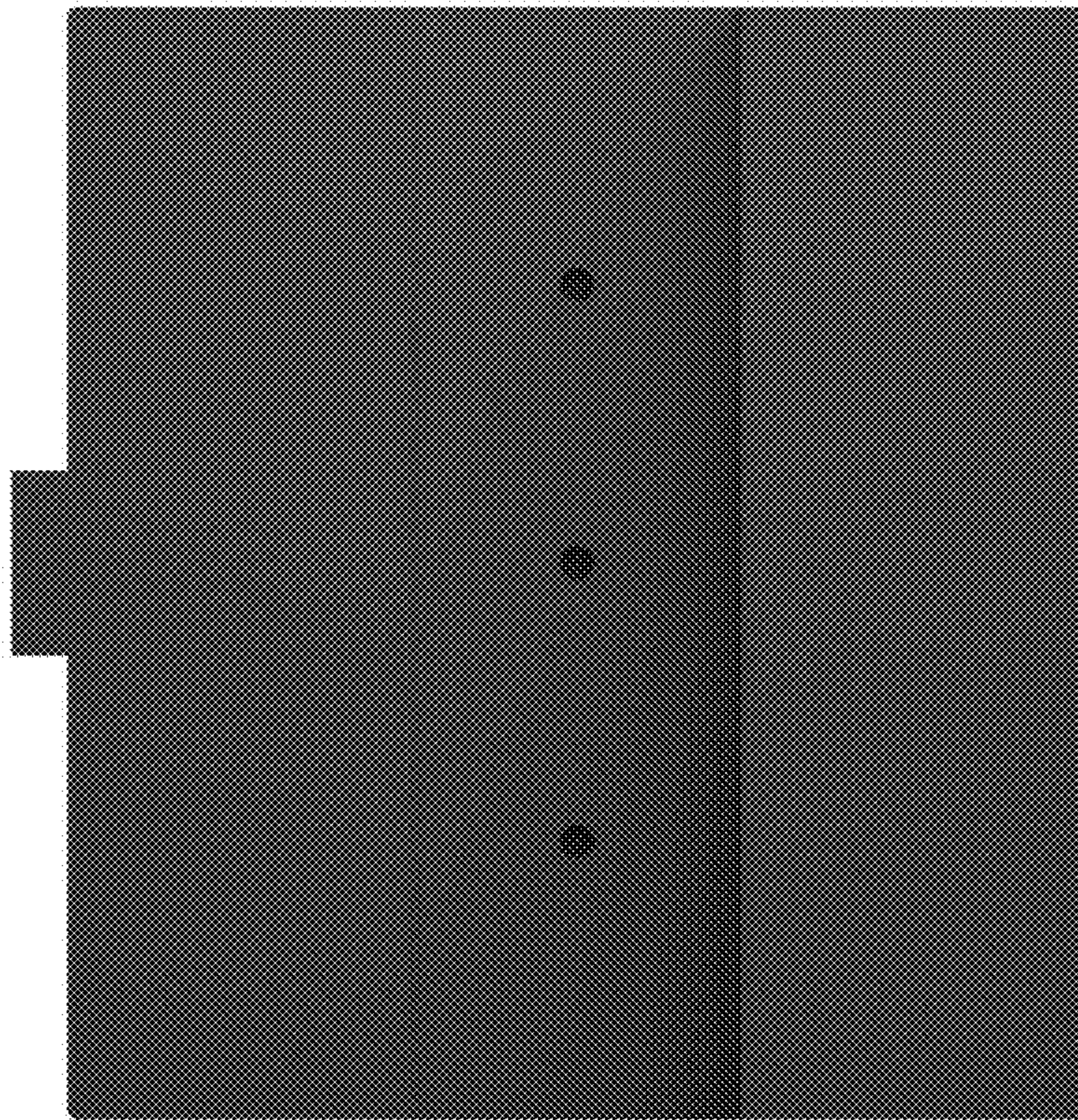


FIG. 2



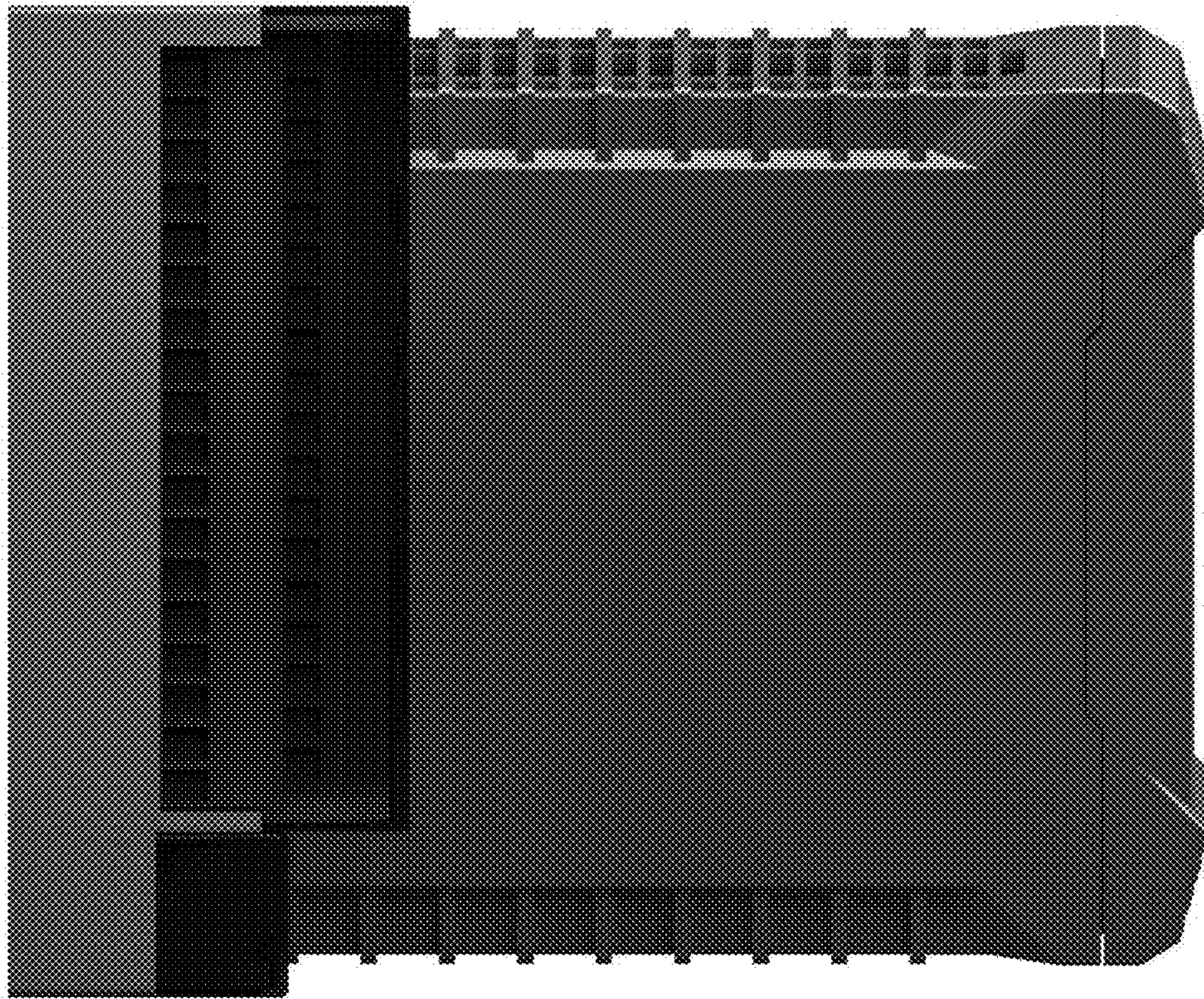


FIG. 3



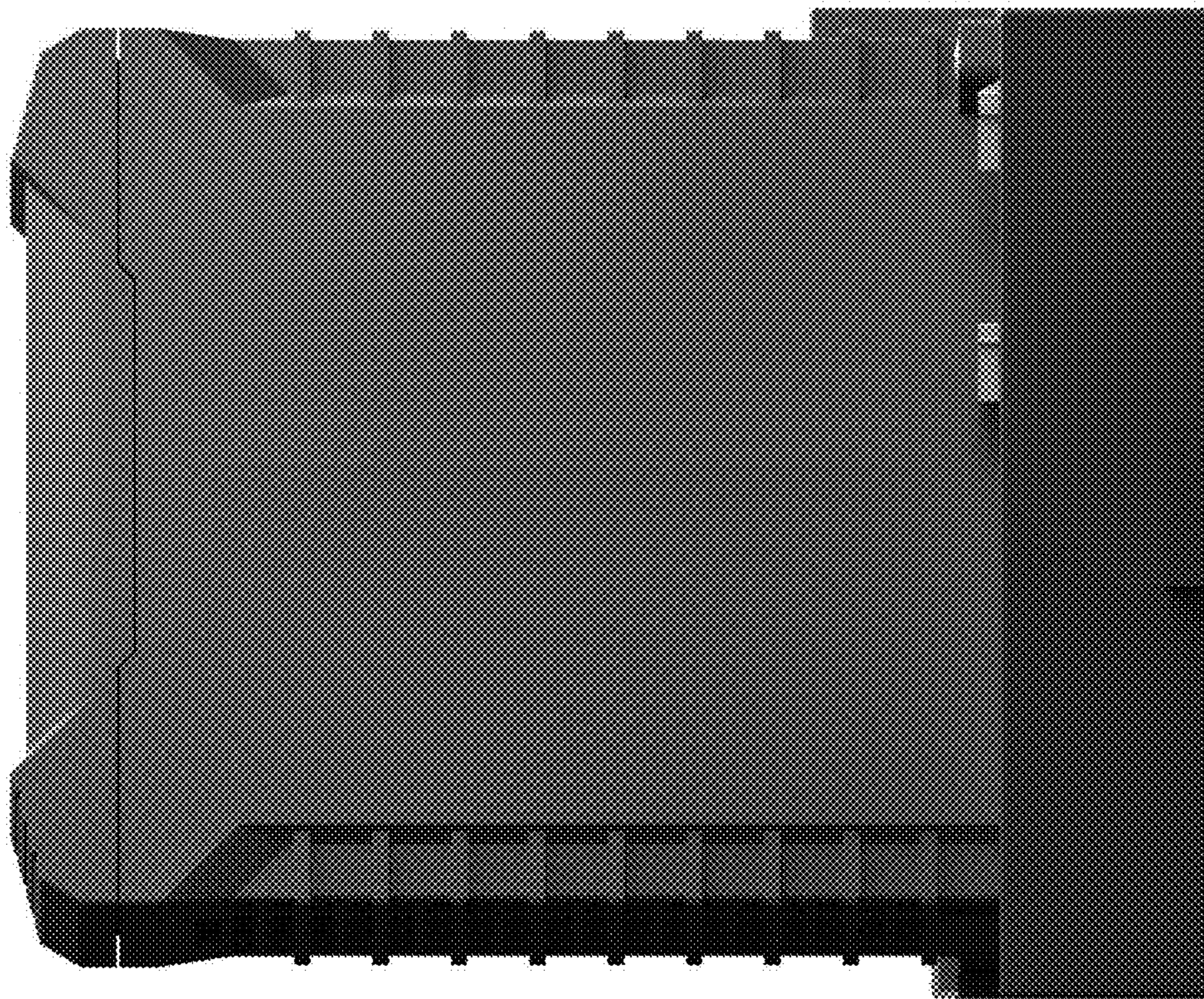


FIG. 4



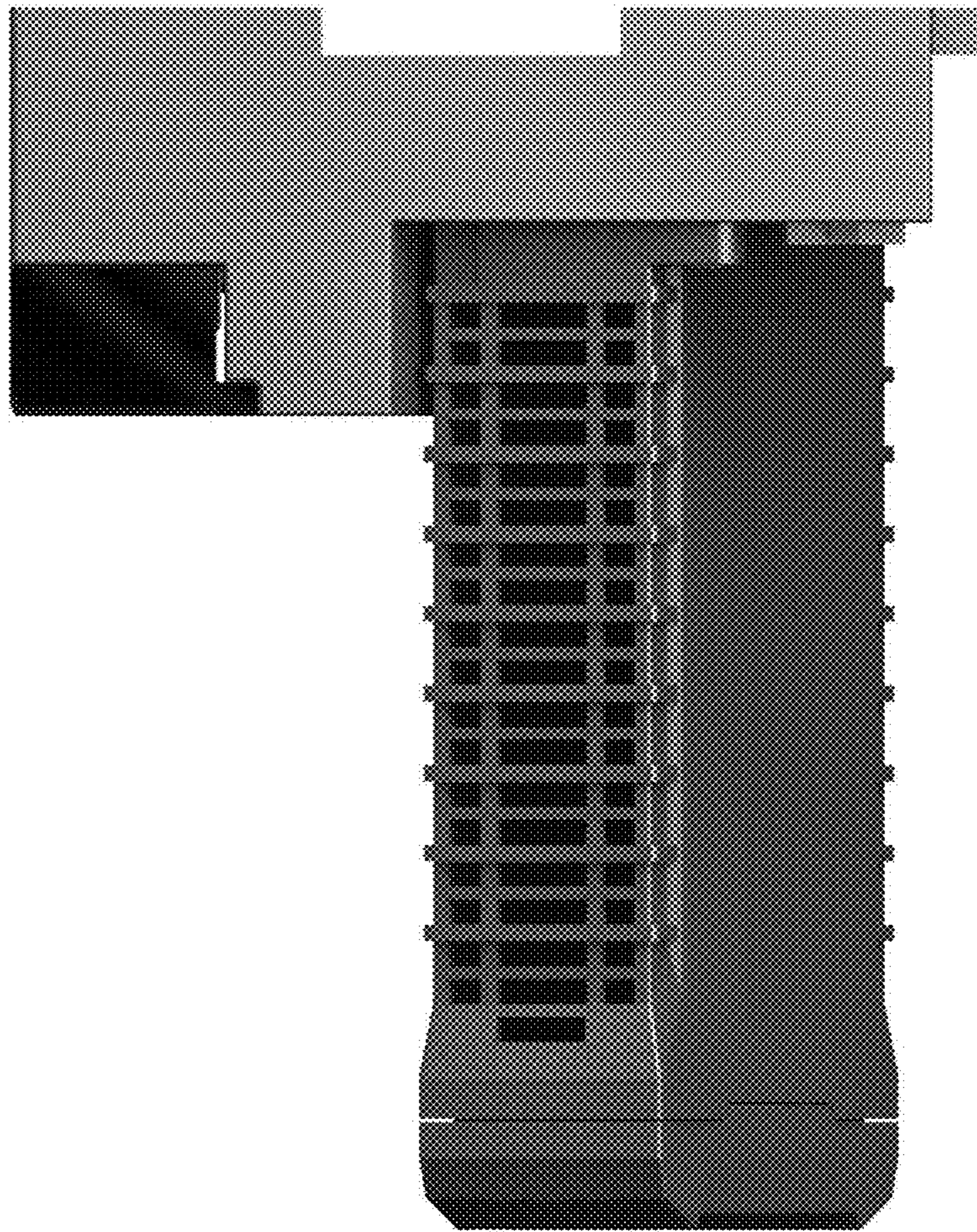


FIG. 5



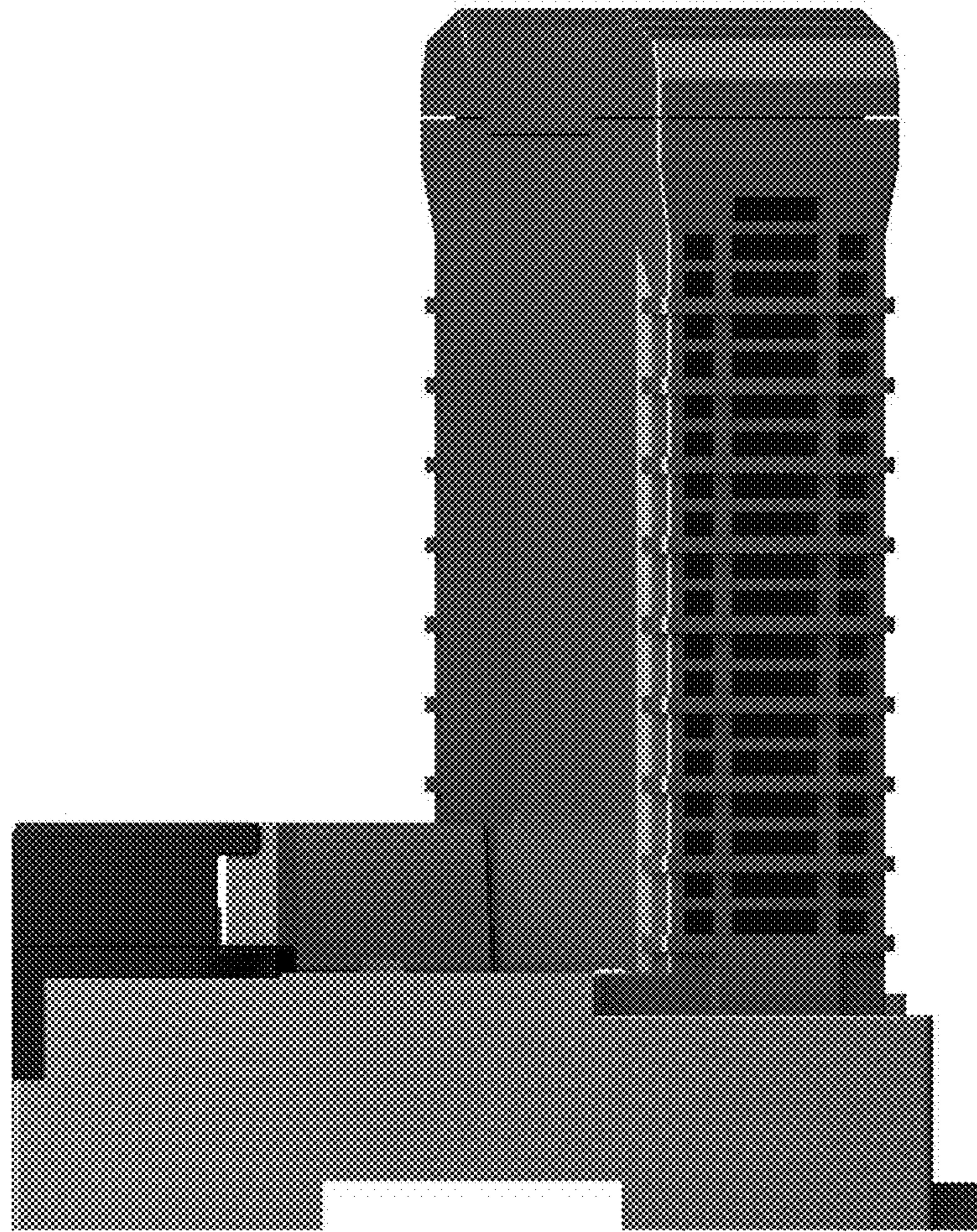


FIG. 6



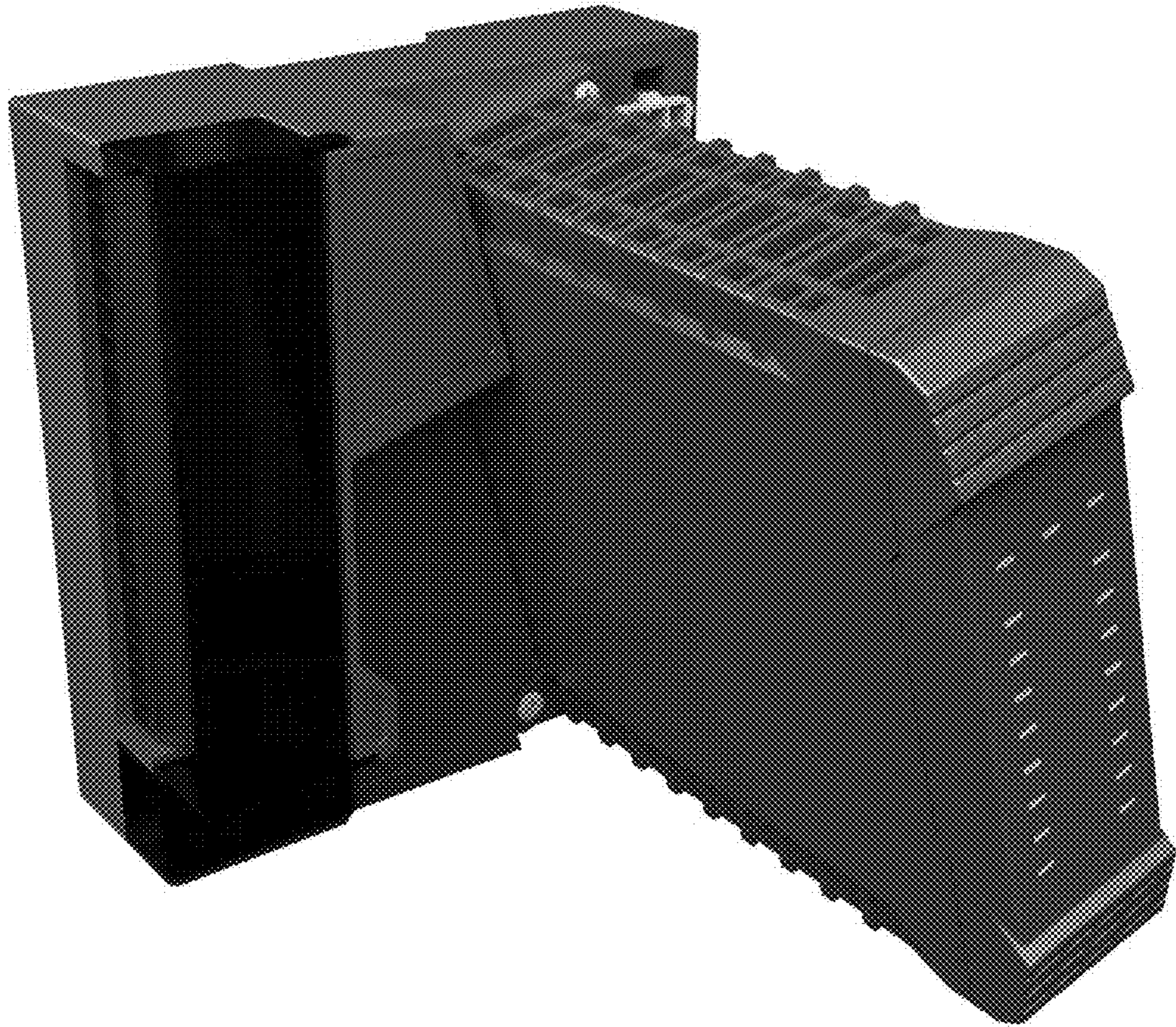


FIG. 7