



US00D704148S

(12) **United States Design Patent**
Taylor

(10) **Patent No.:** **US D704,148 S**

(45) **Date of Patent:** **** May 6, 2014**

(54) **PLUG-IN HEAD OF CORD KEEPER**

Primary Examiner — Derrick Holland

Assistant Examiner — Lauren Calve

(76) Inventor: **Warren James Taylor**, Grandview, MO
(US)

(**) Term: **14 Years**

(57) **CLAIM**

The ornamental design for a plug-in head of cord keeper, as shown and described.

(21) Appl. No.: **29/420,374**

(22) Filed: **May 8, 2012**

(51) **LOC (10) Cl.** **13-03**

(52) **U.S. Cl.**
USPC **D13/156**

(58) **Field of Classification Search**

USPC D13/137.1, 137.2, 138.1, 138.2, 138.3,
D13/138.4, 139.1–139.8, 146, 152, 154,
D13/156, 158, 169, 170, 173, 177;
D14/432, 433; D8/350, 352, 353, 404;
174/50.51, 50.52, 53, 54, 55, 56, 58,
174/59, 66, 67, 350, 505, 521, 559, 560,
174/561; 439/133, 147, 373, 535, 536, 544,
439/555, 607.05, 607.12, 607.53, 620.29,
439/676, 678, 679, 893

See application file for complete search history.

DESCRIPTION

FIG. 1 is a perspective view of a plug-in head of cord keeper; FIG. 2 is a front elevational view thereof; FIG. 3 is a rear elevational view thereof; FIG. 4 is a left-side elevational view thereof; FIG. 5 is a right-side elevational view thereof; FIG. 6 is a top plan view thereof; FIG. 7 is a bottom plan view thereof; and, FIG. 8 is a front elevational view thereof, showing the outlet cover holder and the back piece detached; FIG. 9 is a rear elevational view thereof, showing the outlet cover holder and the back piece detached; FIG. 10 is a right-side elevational view thereof, showing the outlet cover holder and the back piece detached; FIG. 11 is a left-side elevational view thereof, showing the outlet cover holder and the back piece detached; FIG. 12 is a bottom plan view thereof, showing the outlet cover holder and the back piece detached; and, FIG. 13 is a top plan view thereof, showing the outlet cover holder and the back piece detached.

The broken lines shown represent unclaimed subject matter and form no part of the claimed design.

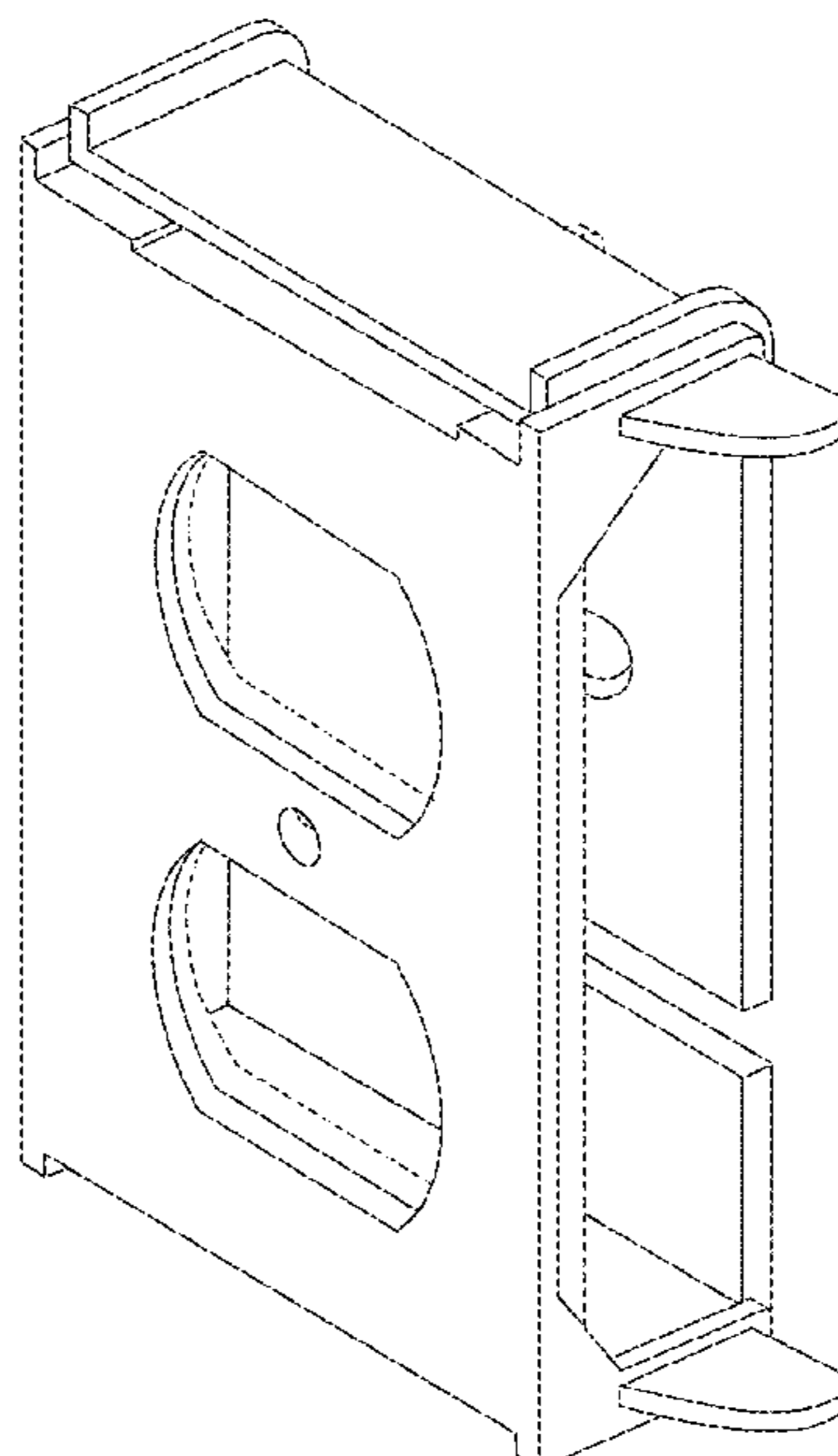
(56) **References Cited**

U.S. PATENT DOCUMENTS

2,722,665	A *	11/1955	Sauder	439/135
4,618,200	A *	10/1986	Roberts et al.	439/367
5,011,427	A *	4/1991	Martin	439/373
D346,362	S *	4/1994	Bouley	D13/156
5,928,023	A *	7/1999	Buckner et al.	439/373
6,265,657	B1 *	7/2001	Layne	174/50
2010/0051614	A1 *	3/2010	Sathyanarayana et al.	220/3.2

* cited by examiner

1 Claim, 13 Drawing Sheets



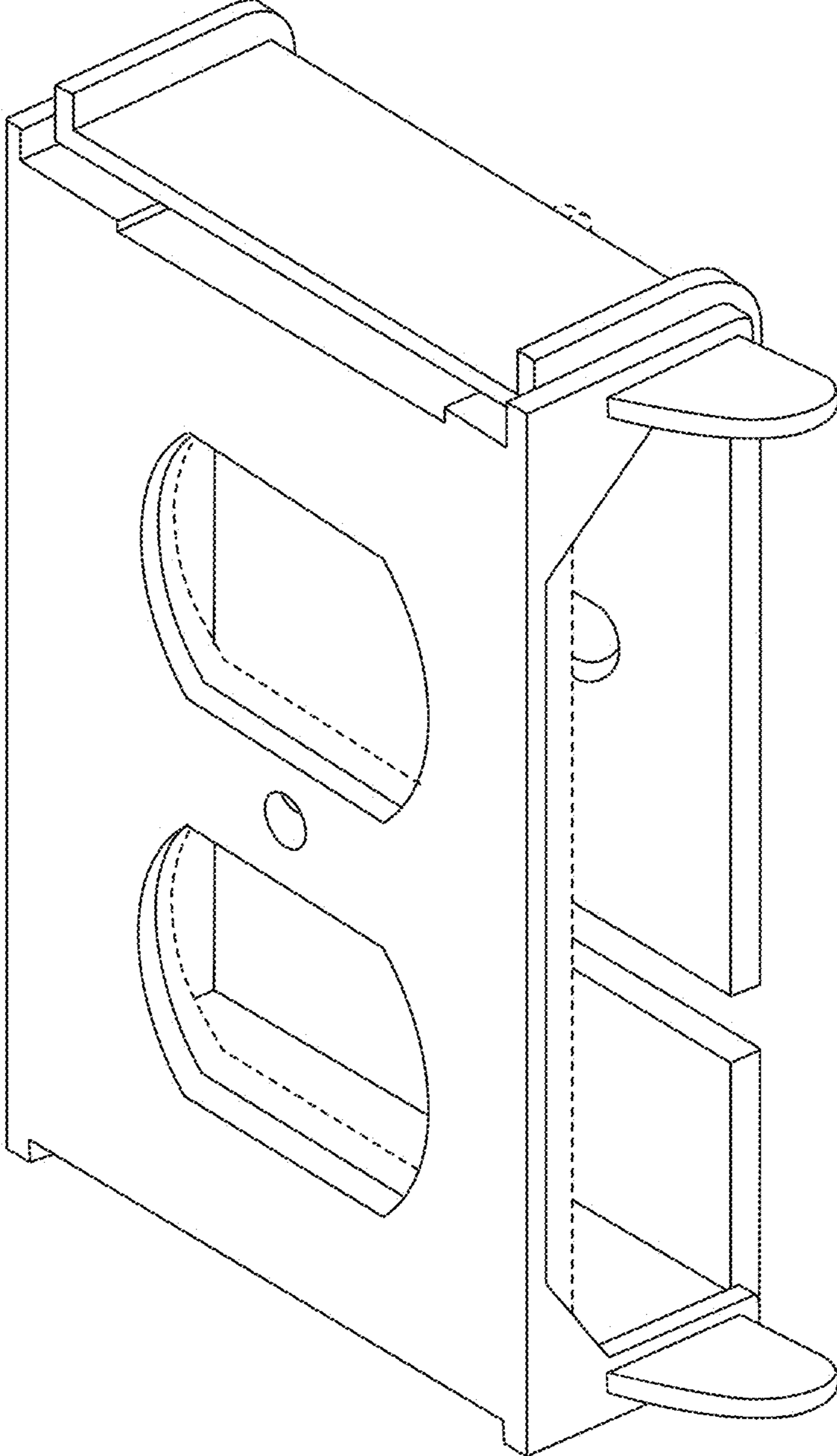


FIG. 1

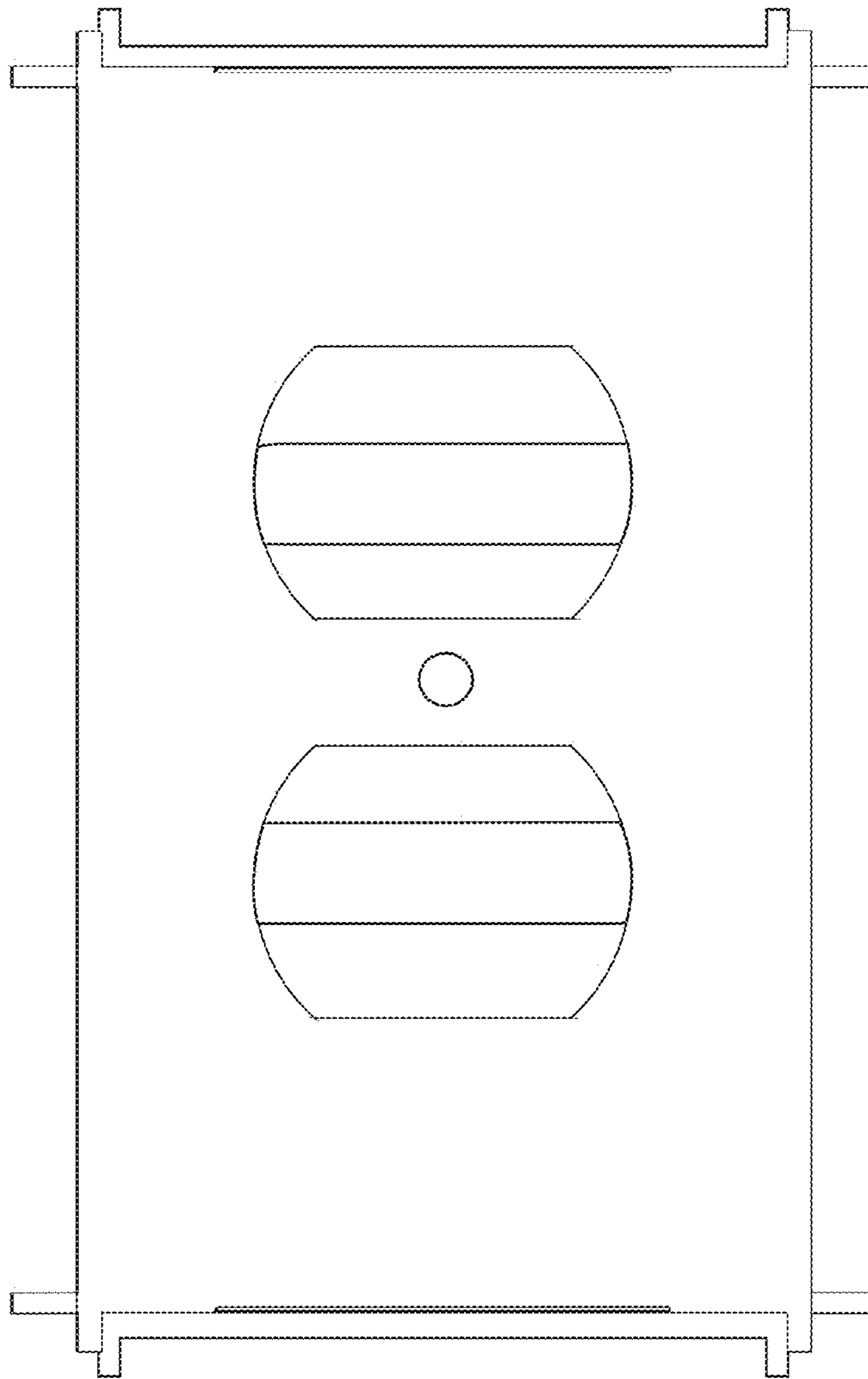


FIG. 2

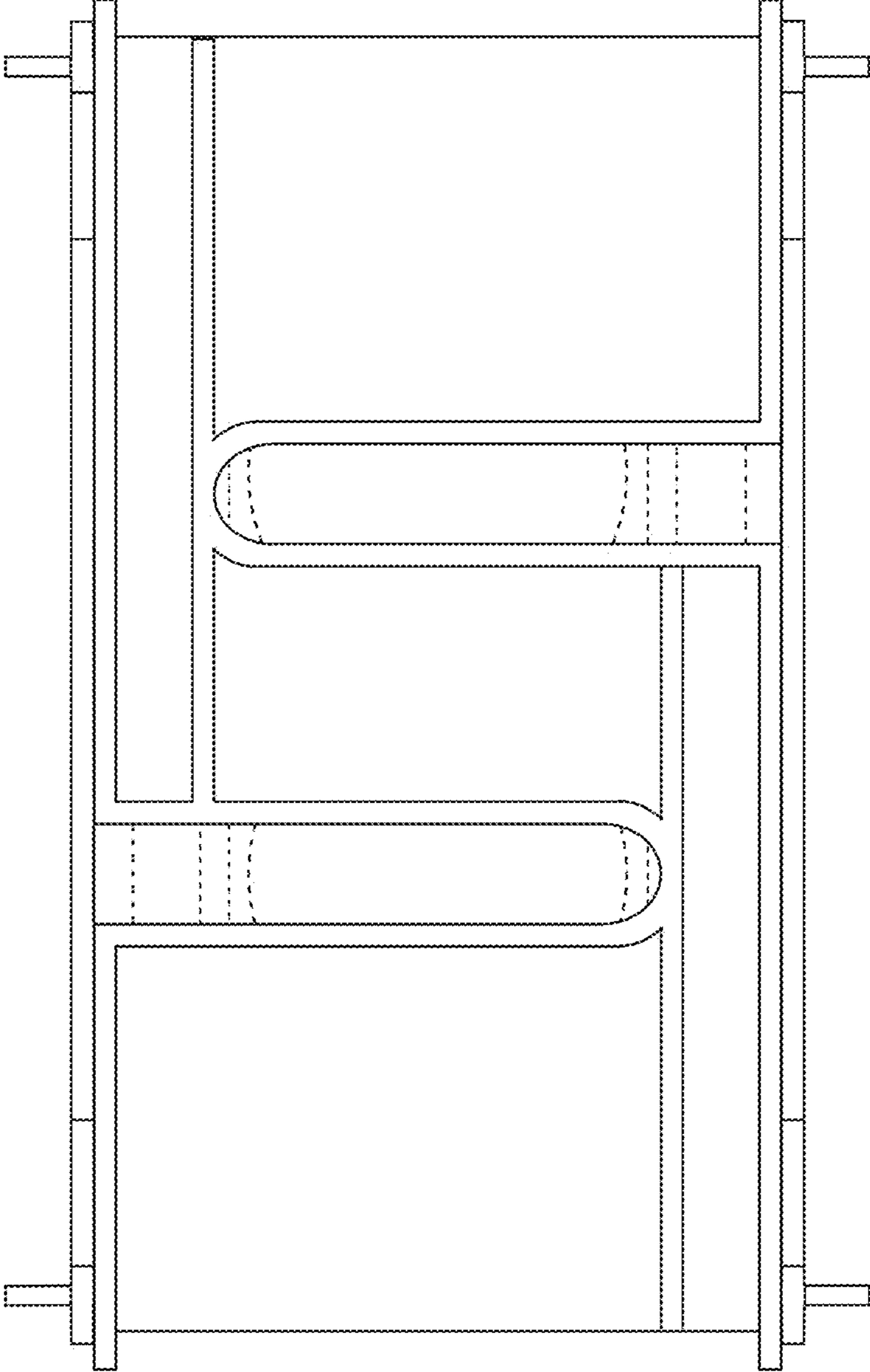


FIG. 3

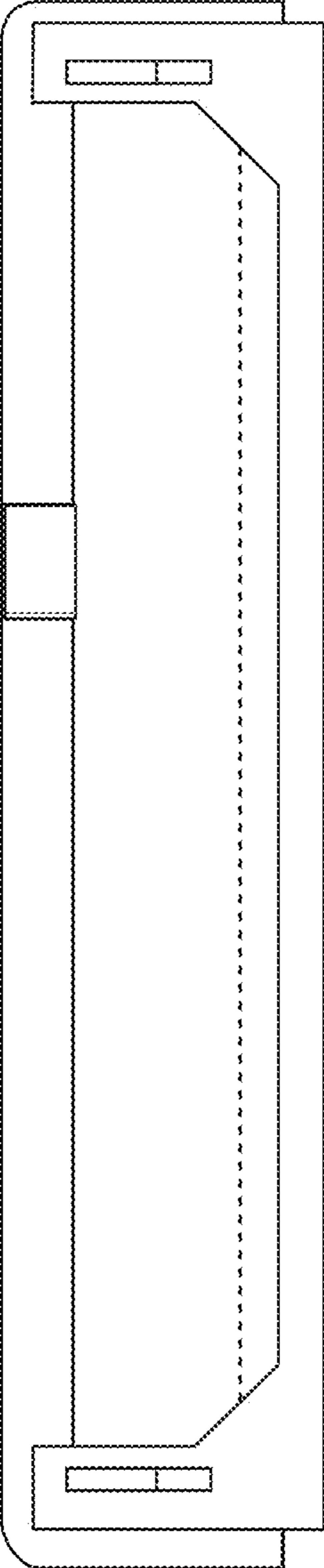


FIG. 4

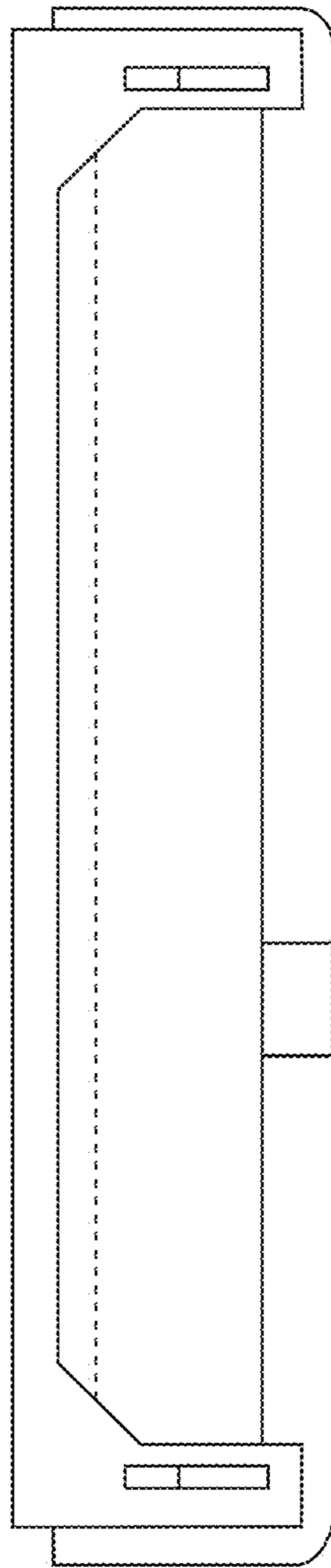


FIG. 5

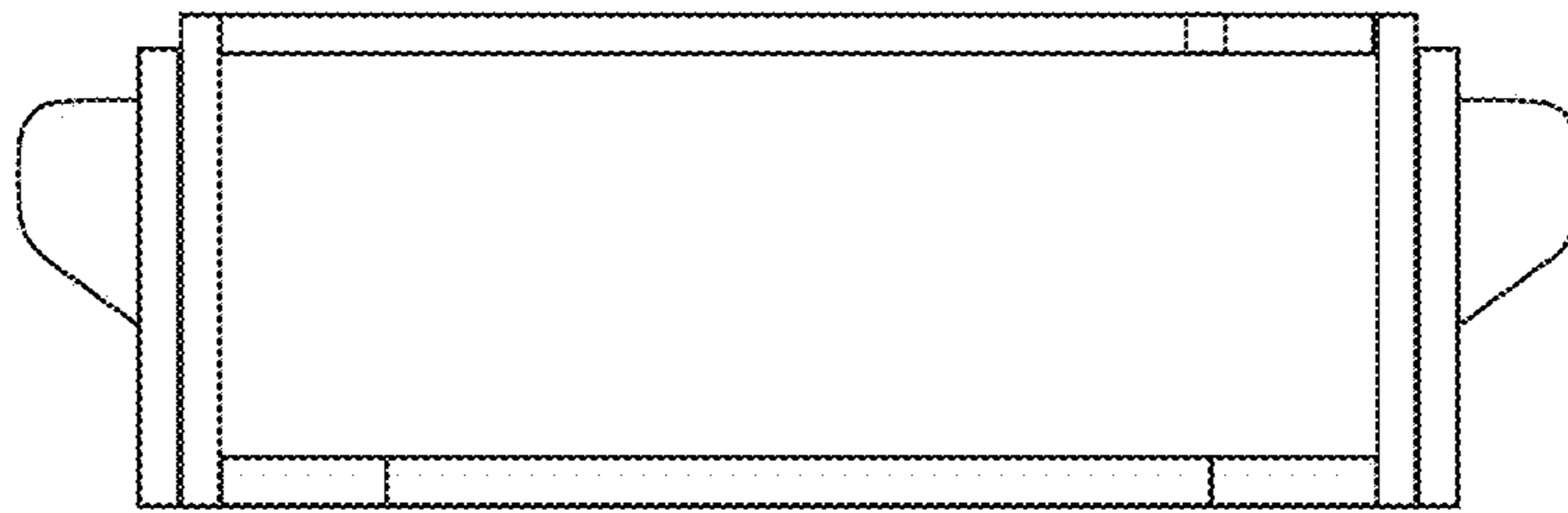


FIG. 6

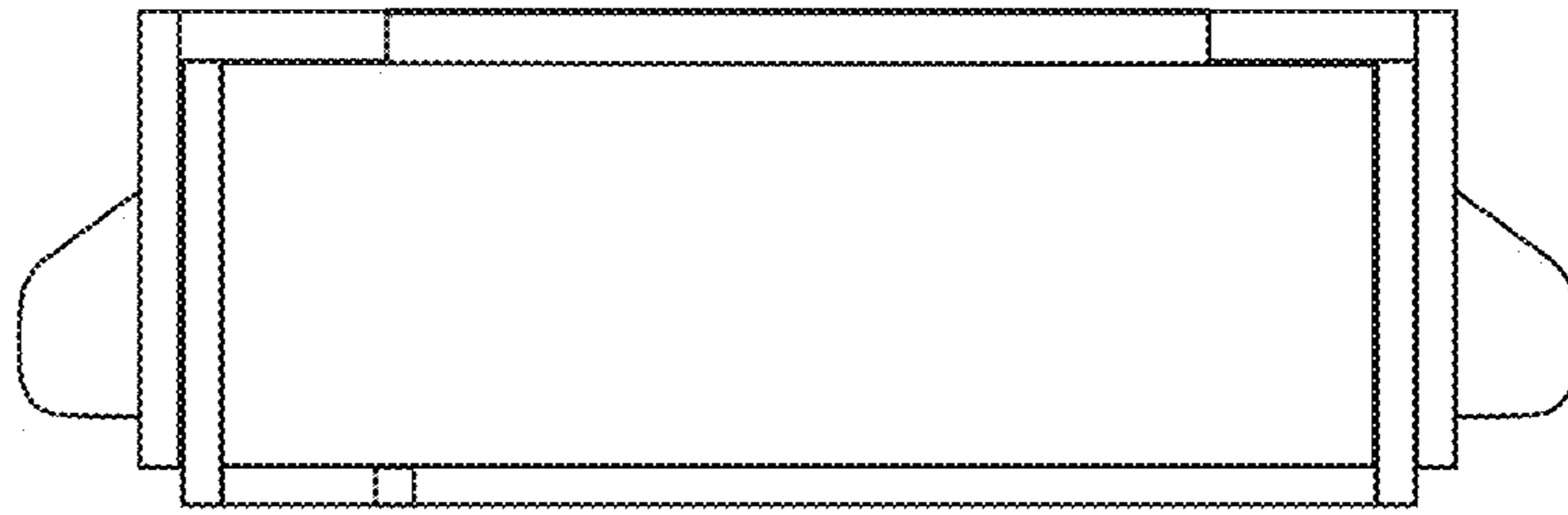


FIG. 7

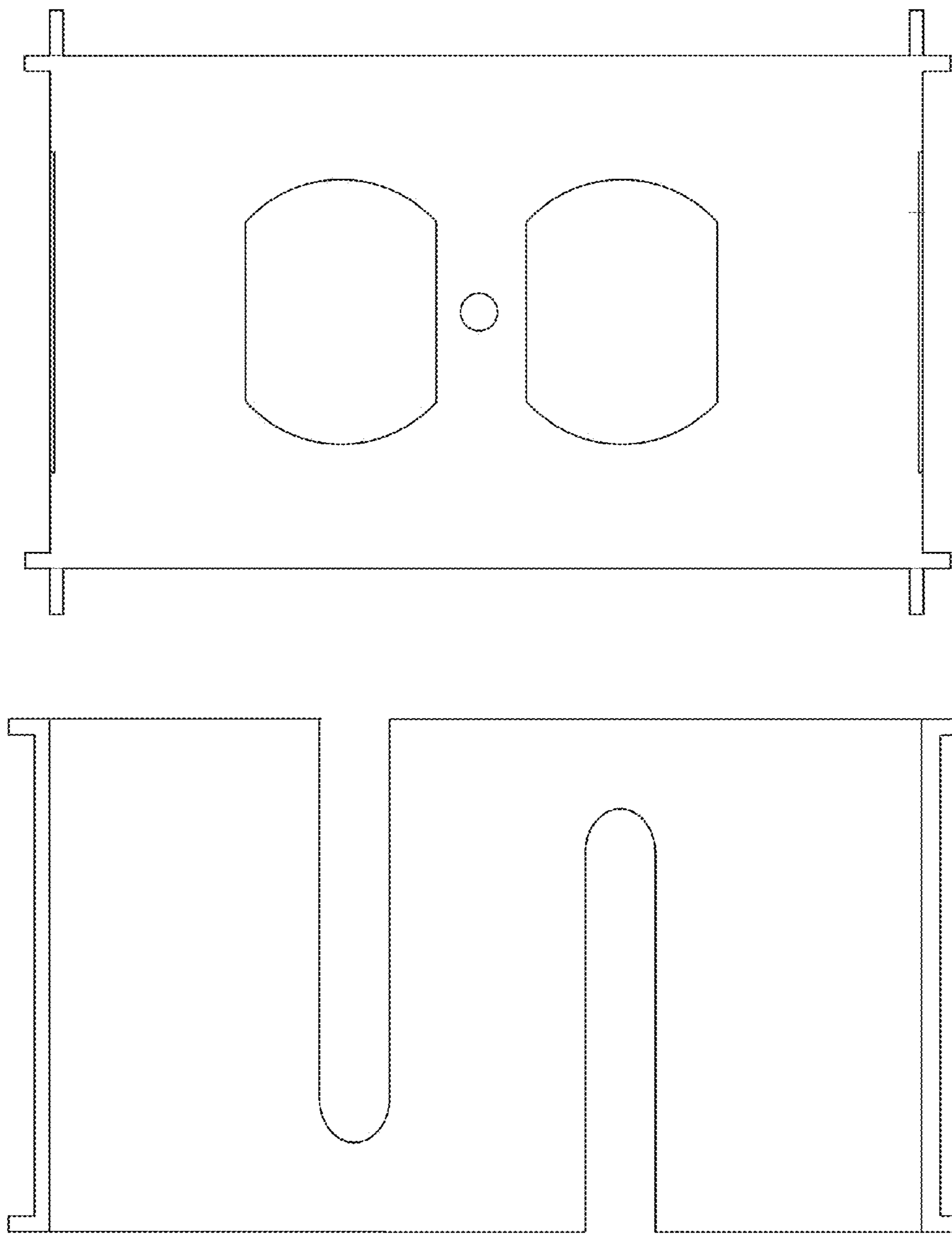


FIG. 8

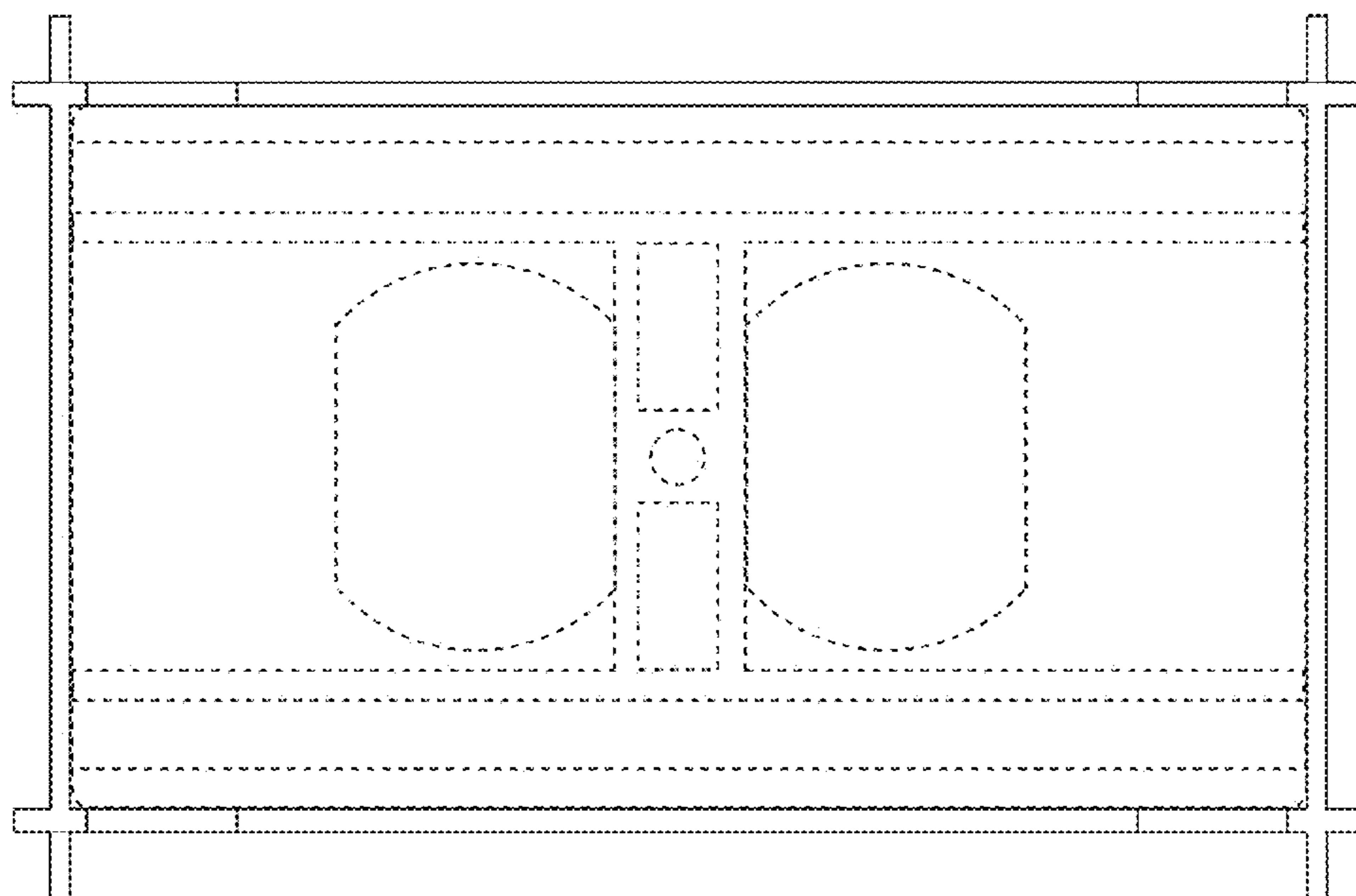
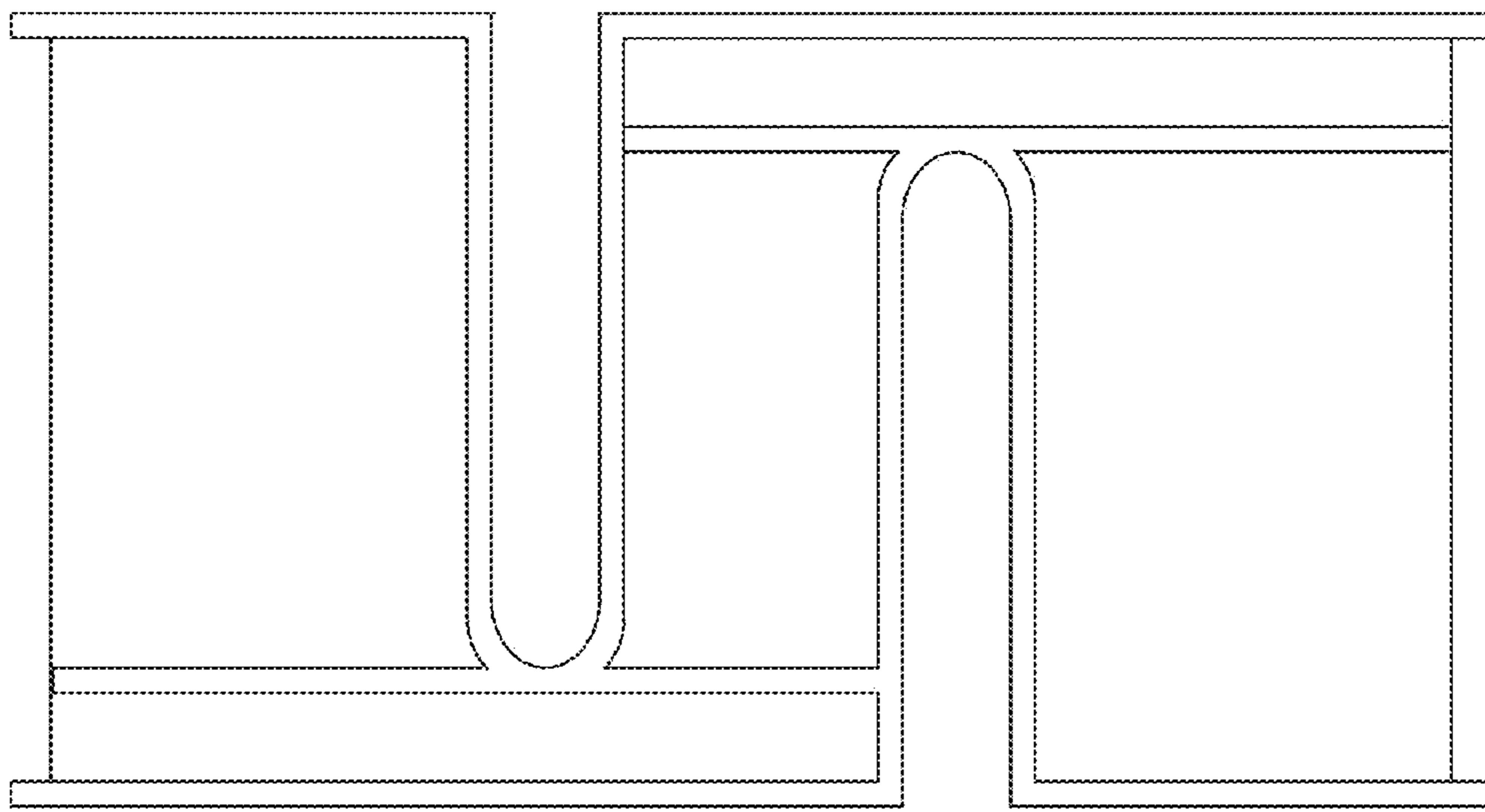


FIG. 9

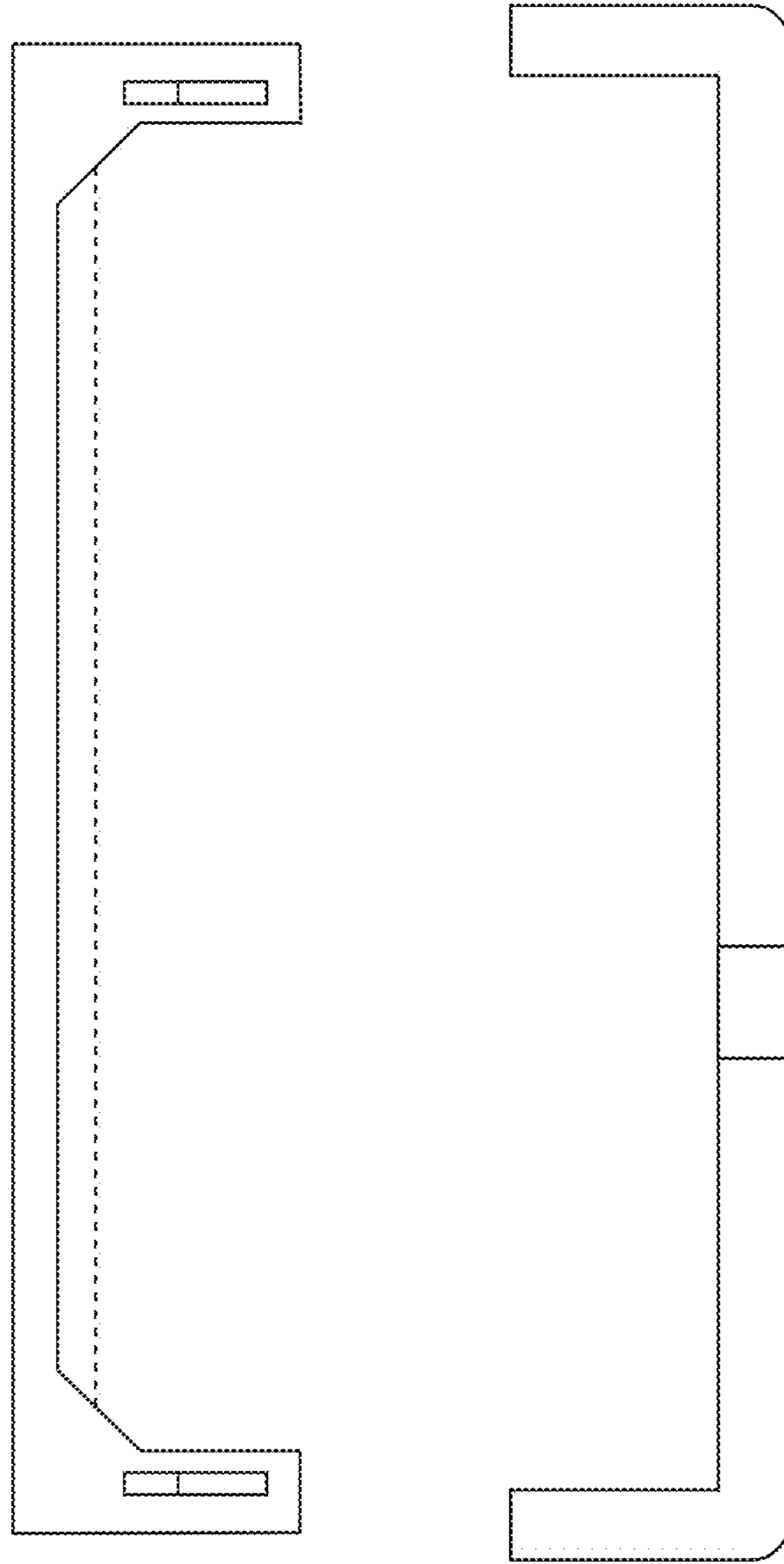


FIG. 10

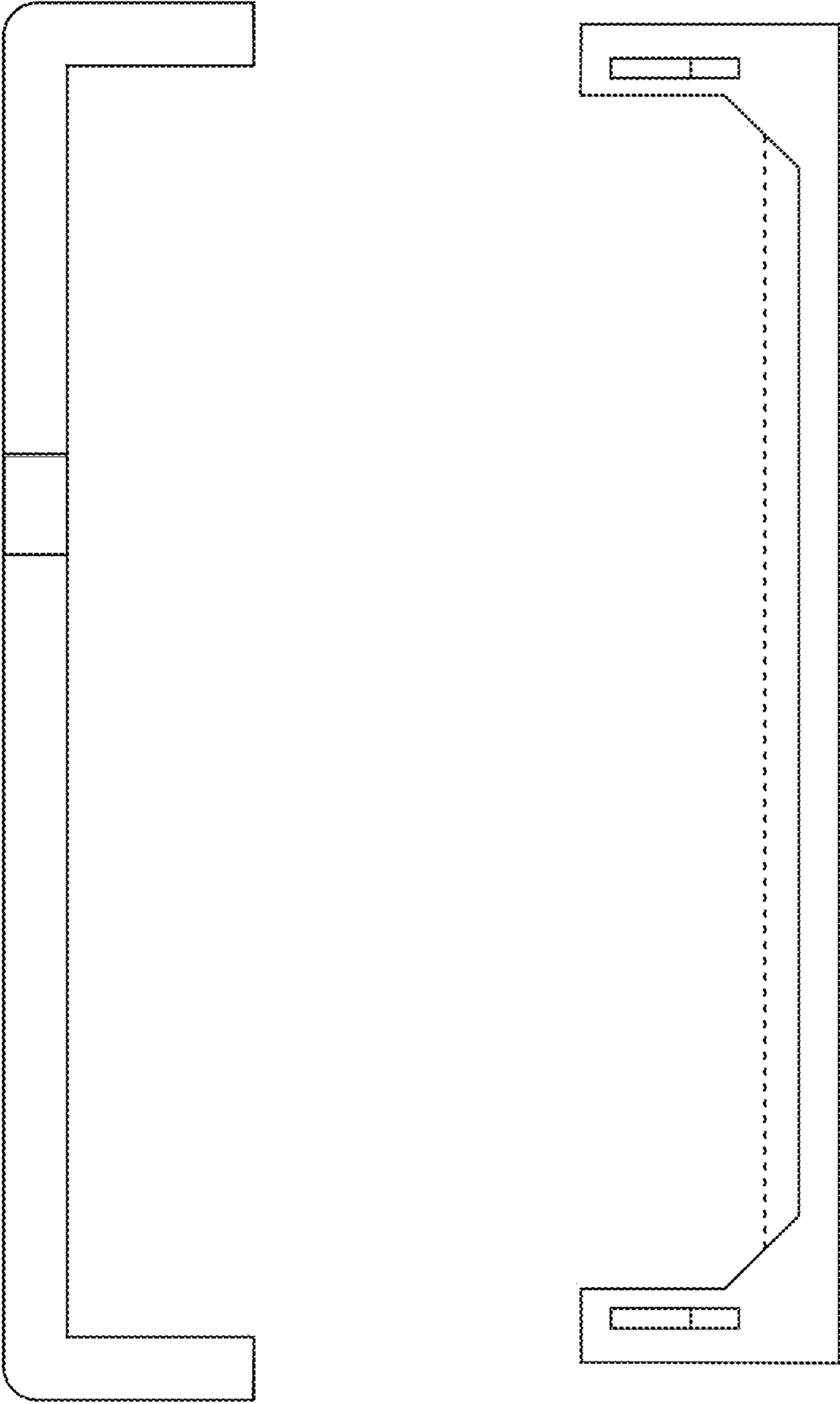


FIG. 11

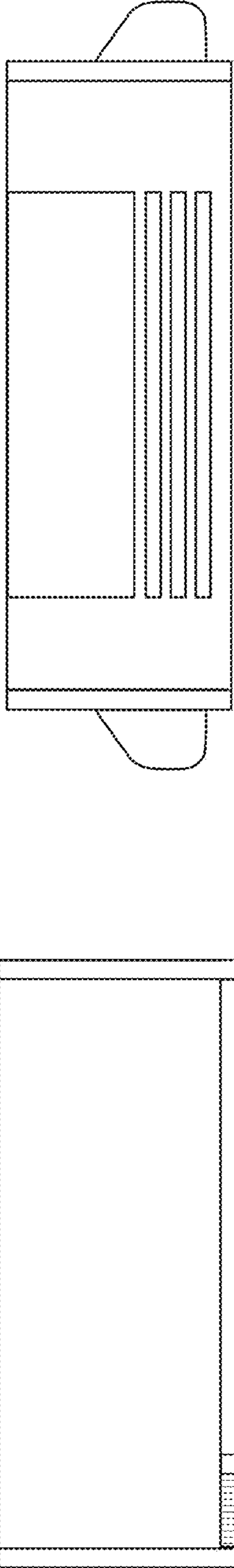


FIG. 12

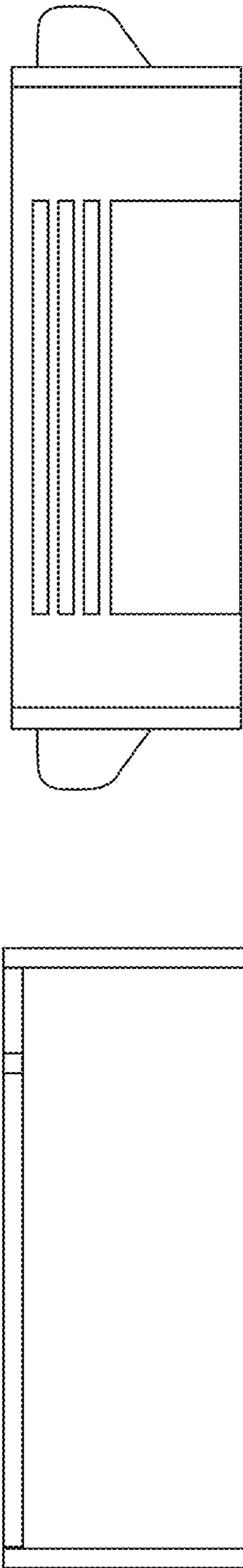


FIG. 13