



US00D704146S

(12) **United States Design Patent**
Cacciabeve

(10) **Patent No.:** **US D704,146 S**

(45) **Date of Patent:** **** May 6, 2014**

(54) **LIGHT FOR AN OBD2 CONNECTOR**

(75) Inventor: **Robert Cacciabeve**, Boonton, NJ (US)

(73) Assignee: **Walter R. Tucker Enterprises, Ltd.**,
Deposit, NY (US)

(**) Term: **14 Years**

(21) Appl. No.: **29/421,437**

(22) Filed: **Jul. 27, 2012**

(51) **LOC (10) Cl.** **13-03**

(52) **U.S. Cl.**

USPC **D13/154**

(58) **Field of Classification Search**

USPC D13/133, 146, 147, 153, 154, 156, 157,
D13/184, 199; D14/432, 433, 435, 435.1,
D14/438; 345/156; 361/58, 814; 439/38-40,
439/66, 74, 77, 79, 129-130, 135, 146,
439/149-150, 176-177, 180, 188, 217-218,
439/225, 246, 252, 278-279, 290-291, 329,
439/344-346, 350-353, 357-358, 374, 378,
439/381, 476.1, 607.01, 607.04, 607.5,
439/607.6, 607.17, 607.21, 607.23, 607.25,
439/607.34, 607.41, 607.53, 623, 660, 668,
439/677, 678, 680, 682, 874, 883, 887, 892,
439/894

See application file for complete search history.

(56) **References Cited**

U.S. PATENT DOCUMENTS

918,181 A 4/1909 Meadows
5,448,459 A 9/1995 Rogers

5,797,670 A 8/1998 Snoke et al.
6,837,599 B2 1/2005 Liaw et al.
6,988,814 B1 1/2006 Correa
7,036,627 B2 5/2006 Costa et al.
D526,079 S 8/2006 Heun
7,108,395 B2 9/2006 Correa
D595,884 S 7/2009 Liao et al.
7,575,334 B2 8/2009 Becnel
D608,485 S 1/2010 Liao et al.
7,771,075 B2 8/2010 Luyckx et al.
2002/0105797 A1 8/2002 Navid et al.

Primary Examiner — Daniel Bui

(74) *Attorney, Agent, or Firm* — Breiner & Breiner, L.L.C.

(57) **CLAIM**

The ornamental design for a light for an OBD2 connector, as shown and described.

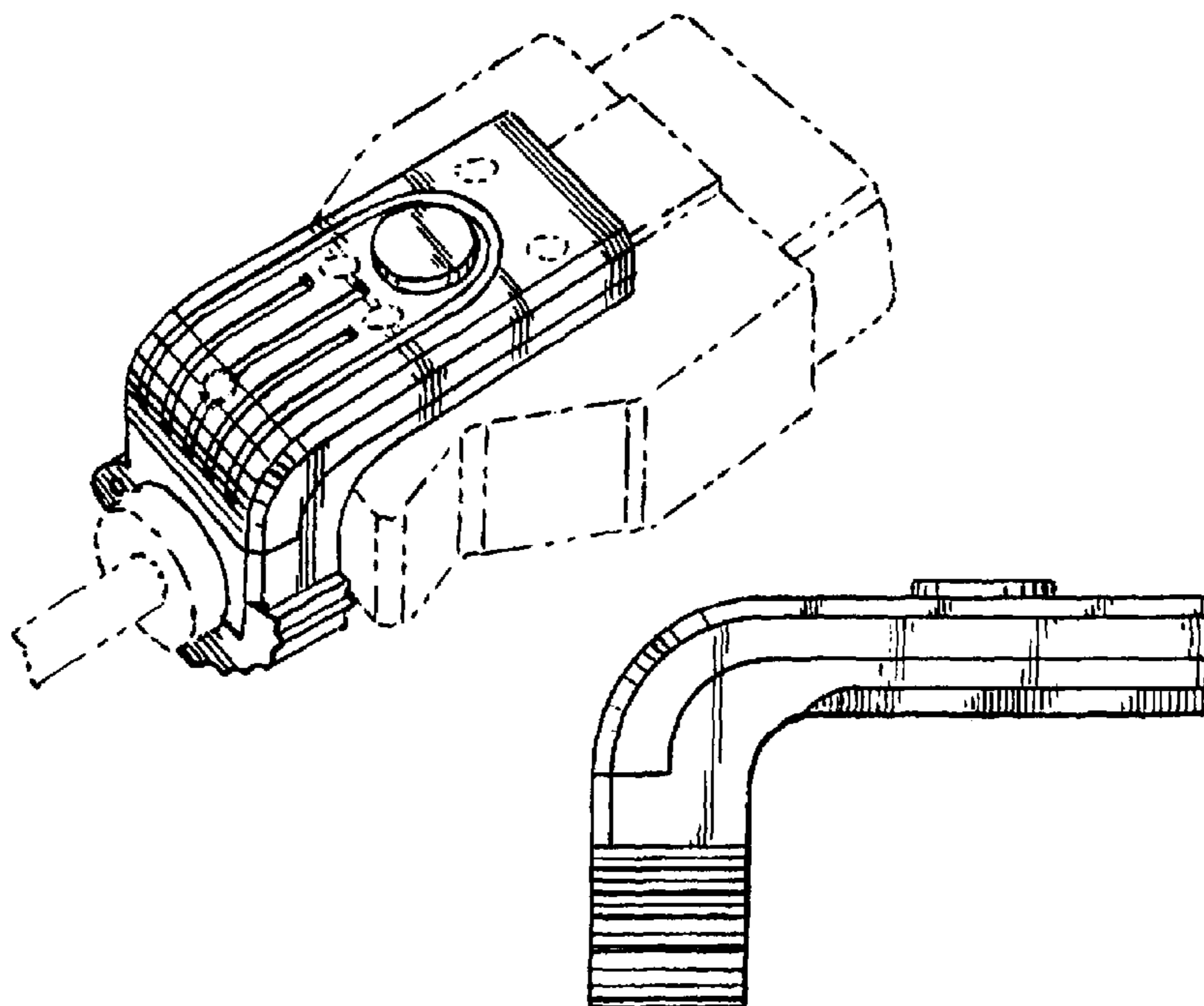
DESCRIPTION

FIG. 1 is a top, front right side perspective view of a light for an OBD2 connector showing my new design;
FIG. 2 is a top plan view thereof;
FIG. 3 is a right side elevation view thereof;
FIG. 4 is a left side elevation view thereof;
FIG. 5 is a bottom plan view thereof;
FIG. 6 is a front elevation view thereof; and,
FIG. 7 is a rear elevation view thereof.

In the drawing, the paralleled grooves shown in FIGS. 1, 2, and 7 are slightly indented, and the upper circle element shown in FIG. 6 is slightly recessed.

The broken lines in the drawing are included for the purpose of illustrating environment and forms no part of the claimed design.

1 Claim, 2 Drawing Sheets



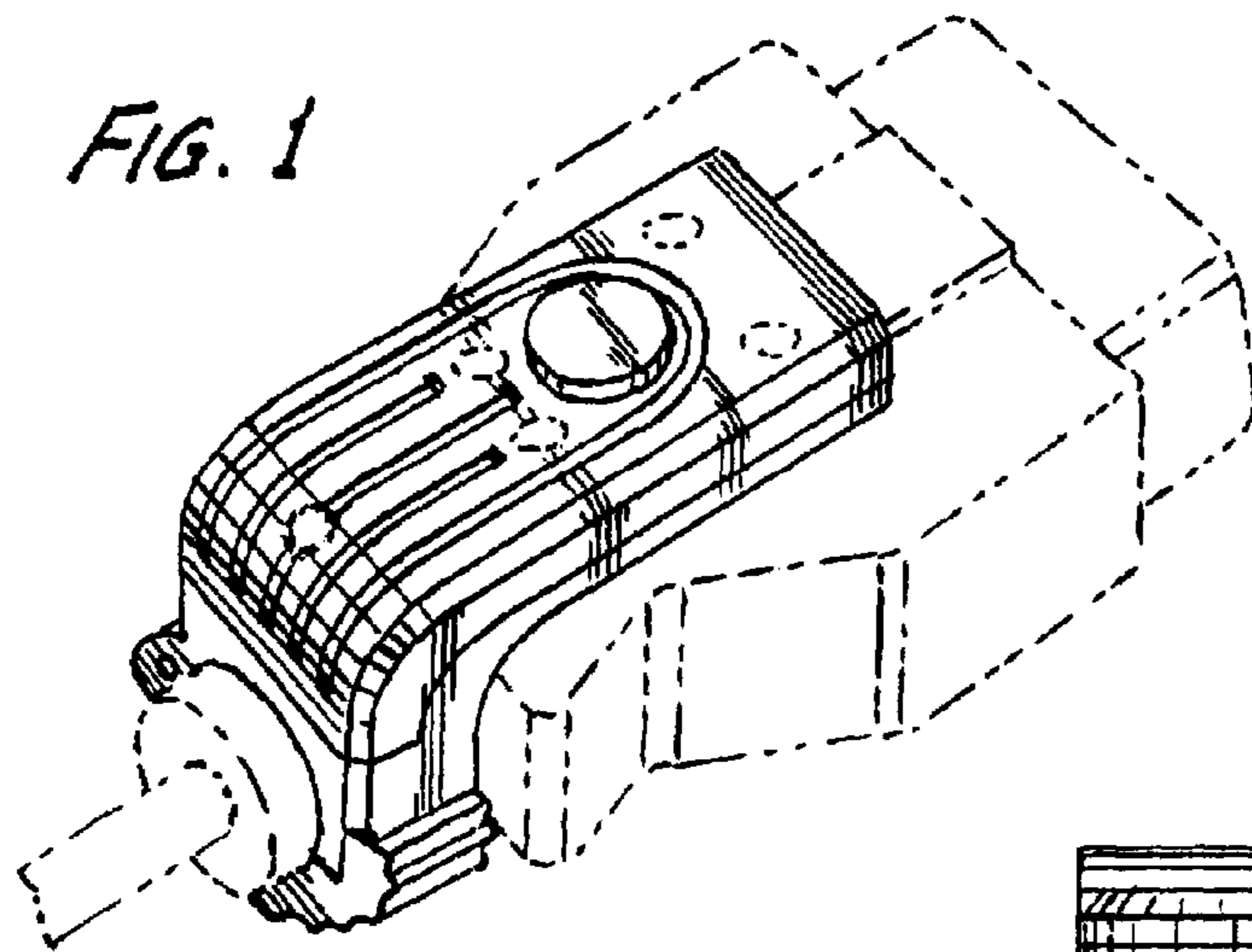


FIG. 2

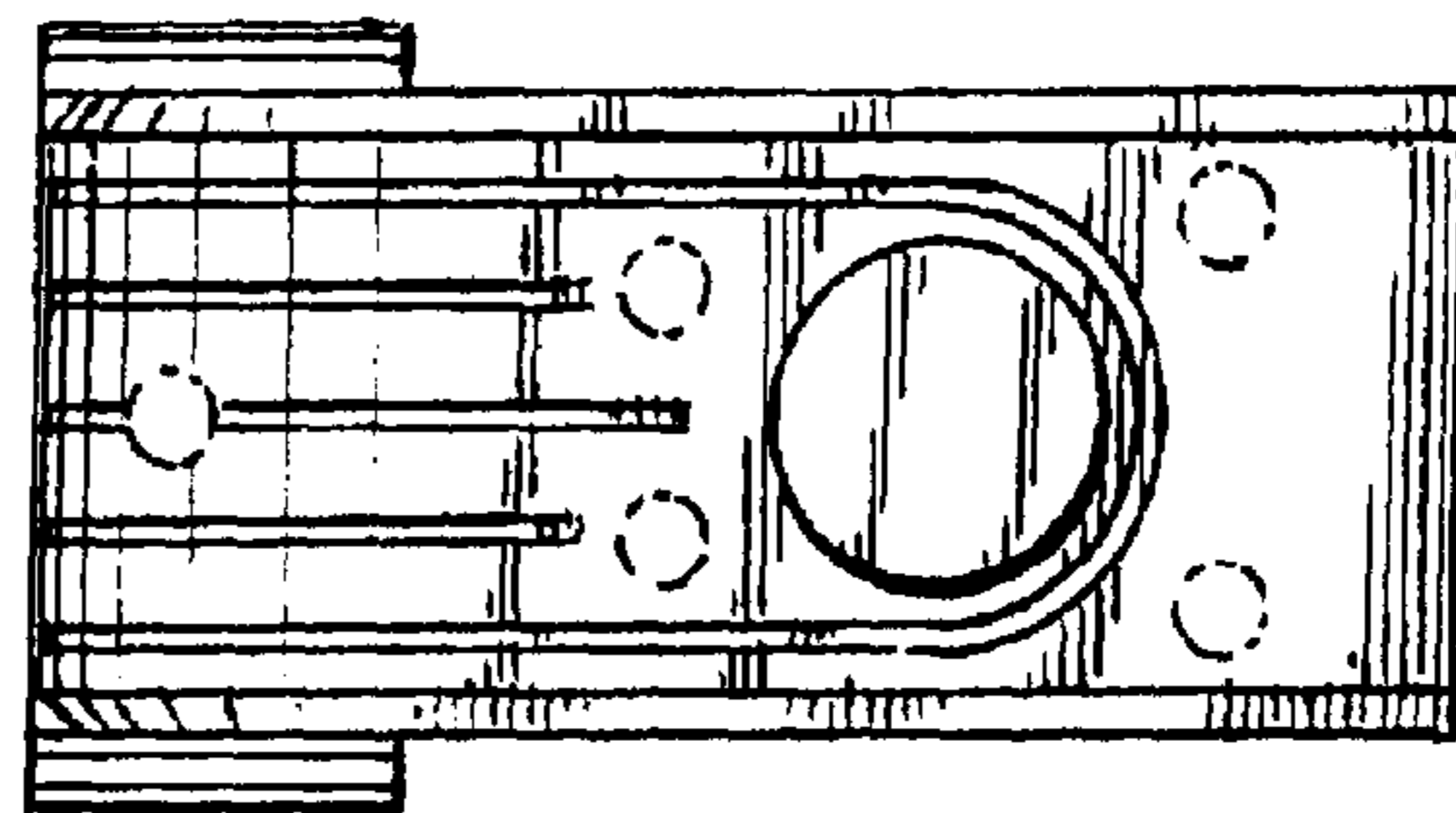


FIG. 3

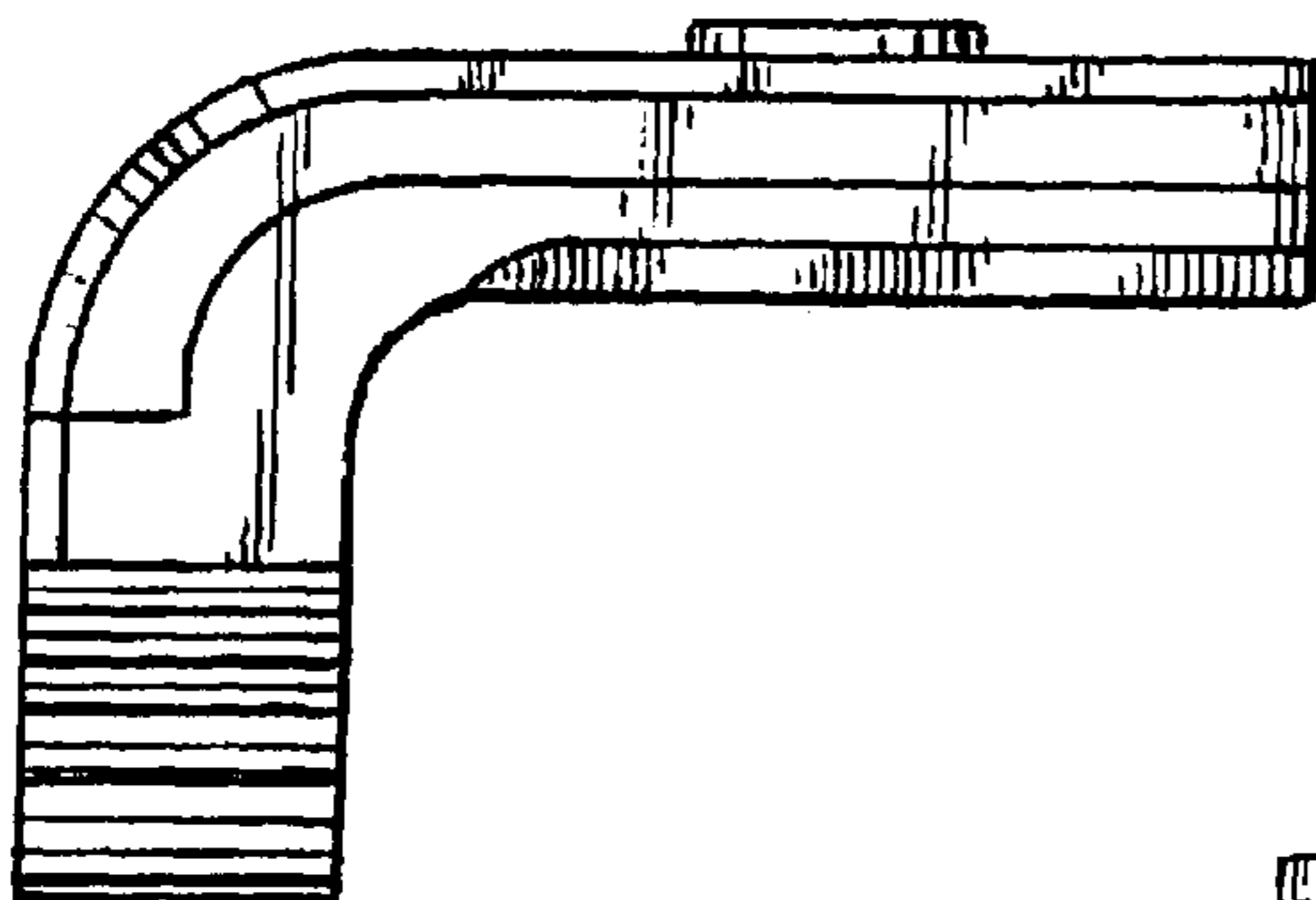


FIG. 4

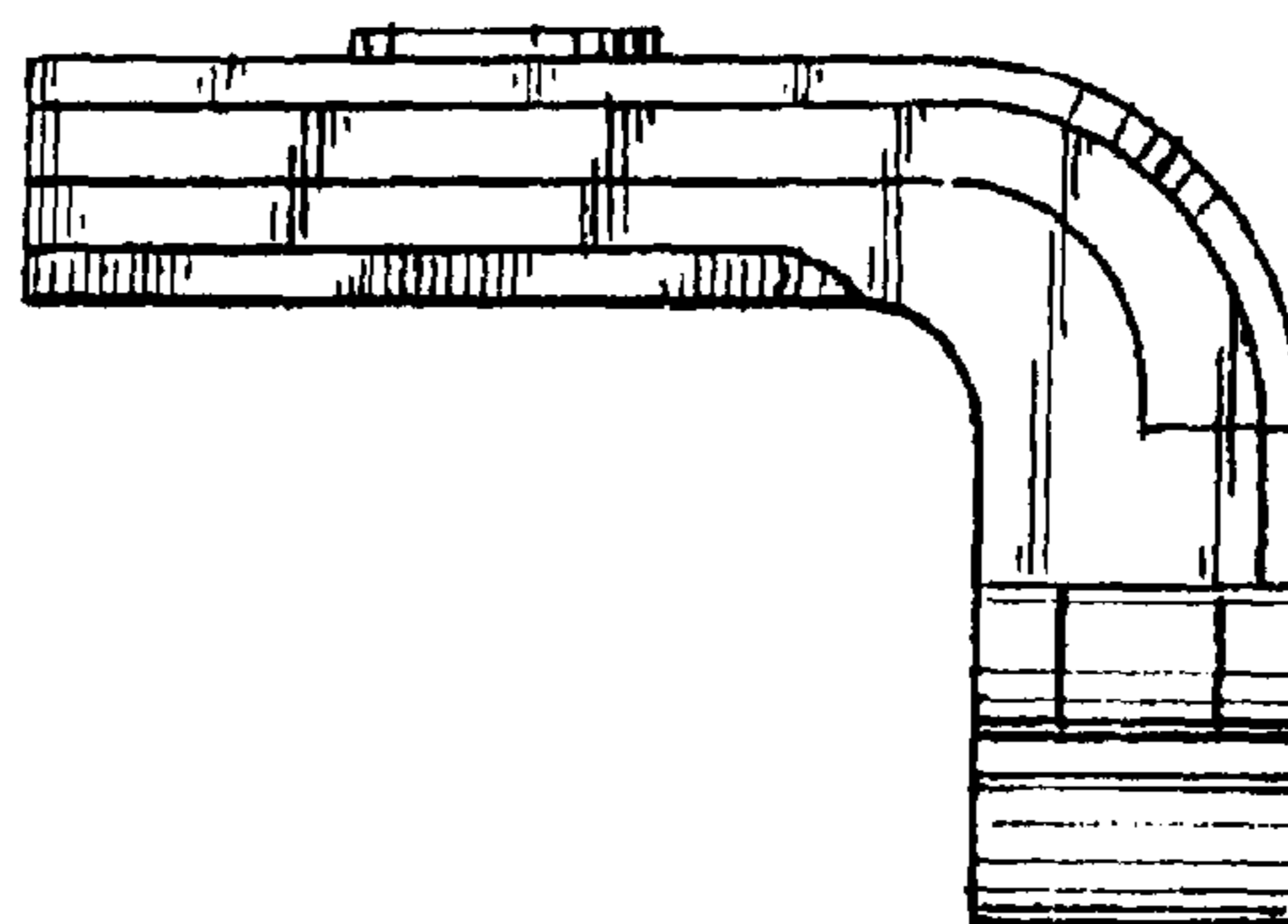


FIG. 5

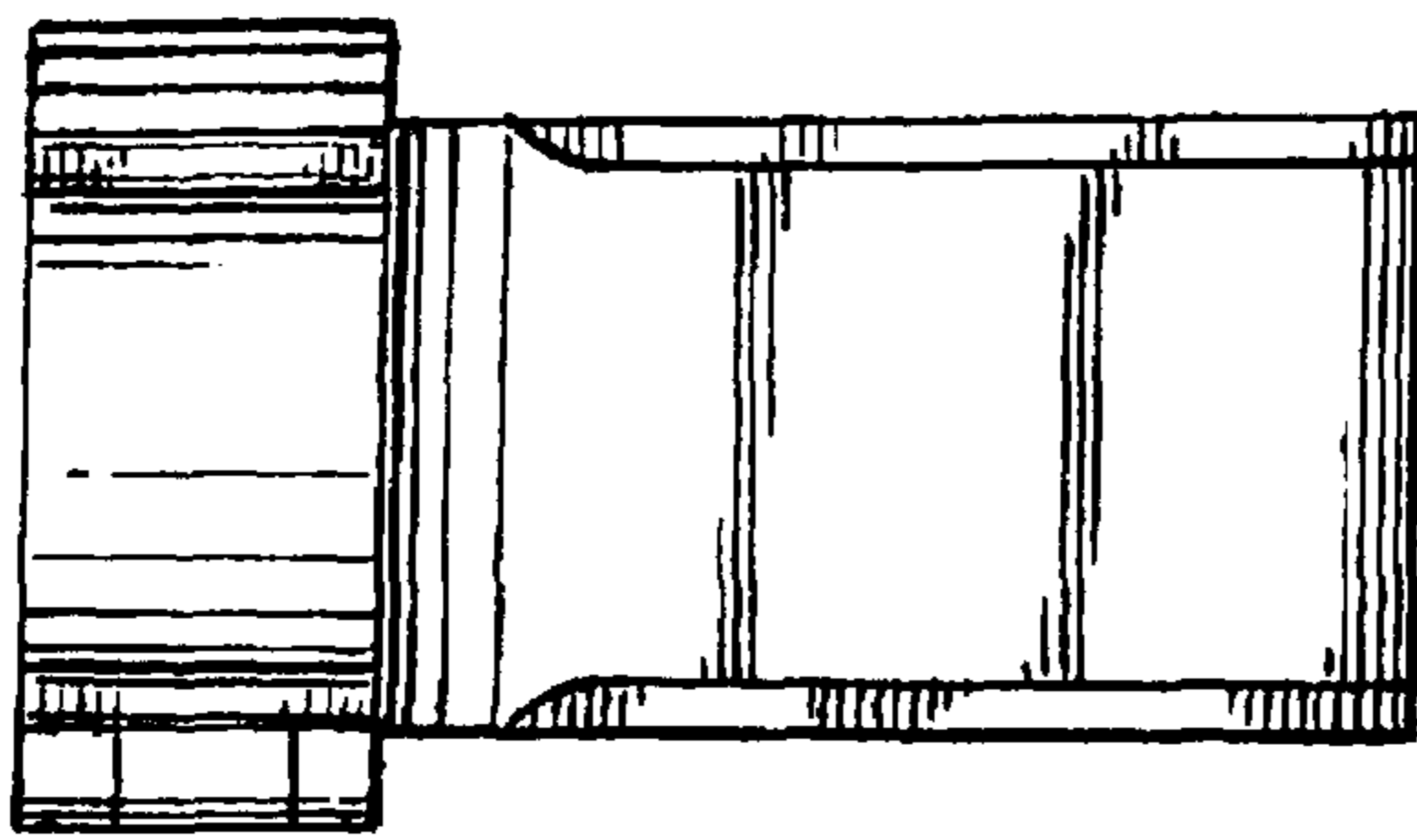


FIG. 6

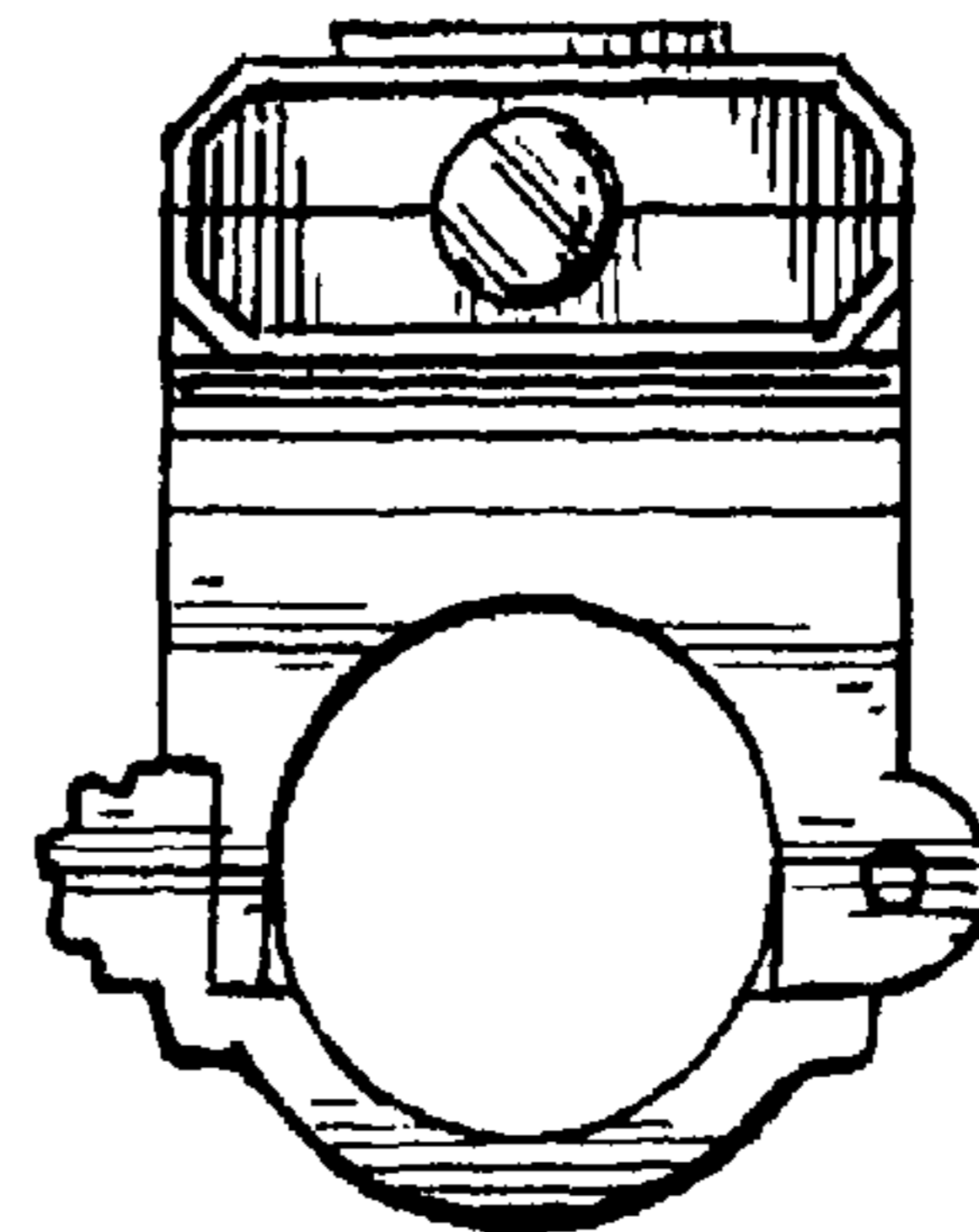


FIG. 7

