



US00D704144S

(12) **United States Design Patent**
Tangalakis

(10) **Patent No.:** **US D704,144 S**

(45) **Date of Patent:** **** May 6, 2014**

(54) **CABLE SLEEVE**

(71) Applicant: **Mercury Enterprises, Inc.**, Clearwater, FL (US)

(72) Inventor: **Stanley Tangalakis**, Clearwater, FL (US)

(73) Assignee: **Mercury Enterprises, Inc.**, Clearwater, FL (US)

(**) Term: **14 Years**

(21) Appl. No.: **29/446,162**

(22) Filed: **Feb. 21, 2013**

(51) **LOC (10) Cl.** **13-03**

(52) **U.S. Cl.**
USPC **D13/153**

(58) **Field of Classification Search**
USPC D13/139.5, 161, 137.2, 137.1, 133, 127, D13/124, 139.8, 139.1, 154, 156, 184, 199, D13/153, 155, 152, 177, 138.1; D14/205, D14/228; D7/300.2
See application file for complete search history.

(56) **References Cited**

U.S. PATENT DOCUMENTS

D102,214 S	*	12/1936	Tyson	D13/153
D102,489 S	*	12/1936	Tyson	D13/153
D103,756 S	*	3/1937	Tyson	D13/153
D262,617 S	*	1/1982	Shumate	D13/156
5,660,146 A	*	8/1997	Sporn	119/792
D408,365 S	*	4/1999	Sanders	D13/153

8,151,737 B1	*	4/2012	Alonzo et al.	119/799
2003/0073366 A1	*	4/2003	Benetti	442/365
2009/0013938 A1	*	1/2009	Miller et al.	119/712
2009/0044903 A1	*	2/2009	Clark	156/249

* cited by examiner

Primary Examiner — Caron D Veynar

Assistant Examiner — Rhea Shields

(74) *Attorney, Agent, or Firm* — Larson & Larson, P.A.; Frank Liebenow; Justin P. Miller

(57) **CLAIM**

The ornamental design for a cable sleeve, as shown and described.

DESCRIPTION

FIG. 1 is a front elevation view of the cable sleeve, showing my new design;

FIG. 2 is a rear elevation view thereof;

FIG. 3 is a left side elevation view thereof;

FIG. 4 is a right side elevation view thereof;

FIG. 5 is a top plan view thereof;

FIG. 6 is a bottom plan view thereof;

FIG. 7 is a perspective view thereof

FIG. 8 is a magnified view of FIG. 3; and,

FIG. 9 is a magnified view of FIG. 4.

In the figures, the evenly-spaced broken lines indicate stitching; the dash-dot-dash broken lines illustrate unclaimed environment only and form no part of the claimed design. The cable sleeve is shown with a symbolic break in its length. The appearance of any portion of the article between the break lines forms no part of the claimed design.

1 Claim, 4 Drawing Sheets

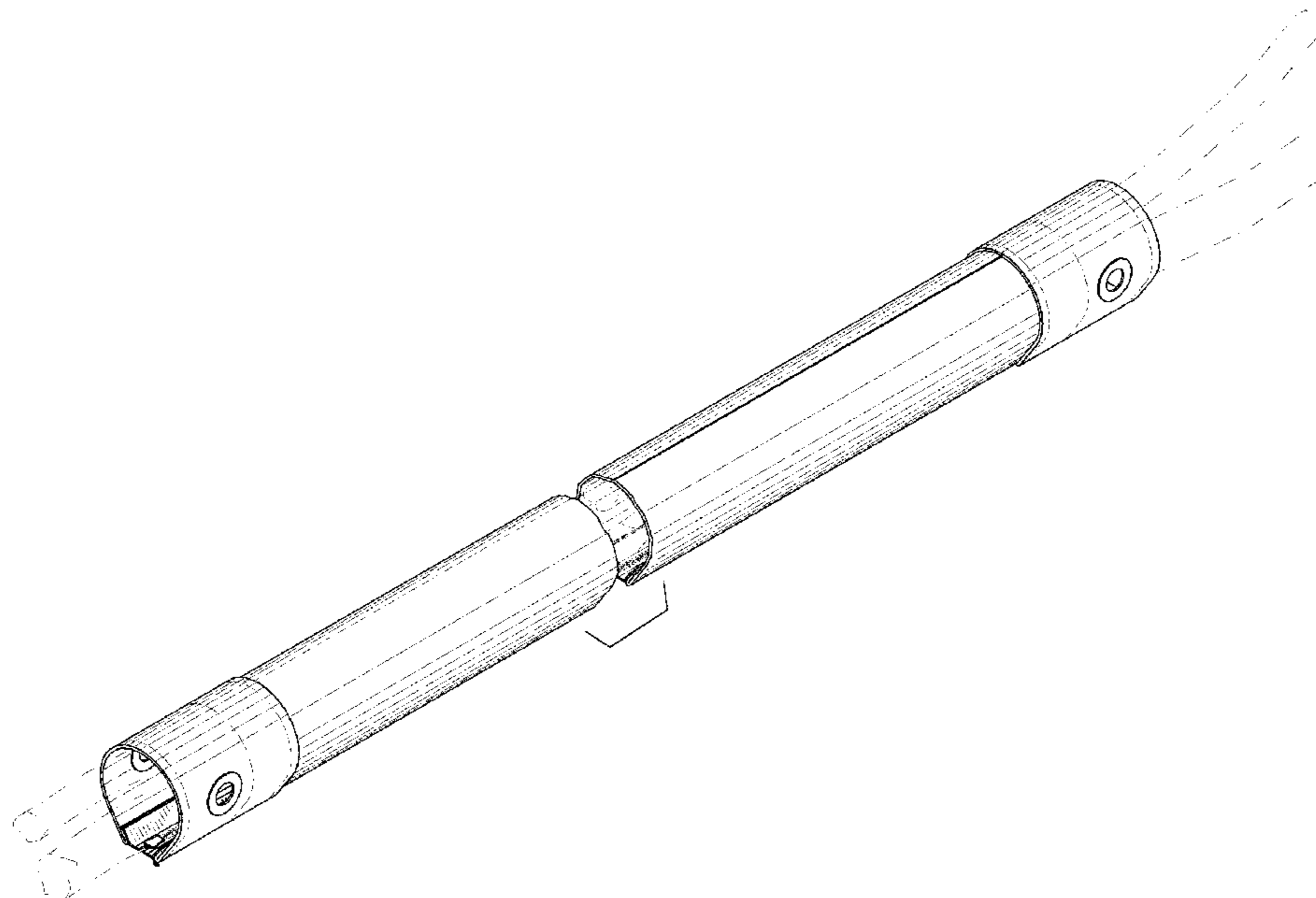


FIG. 1

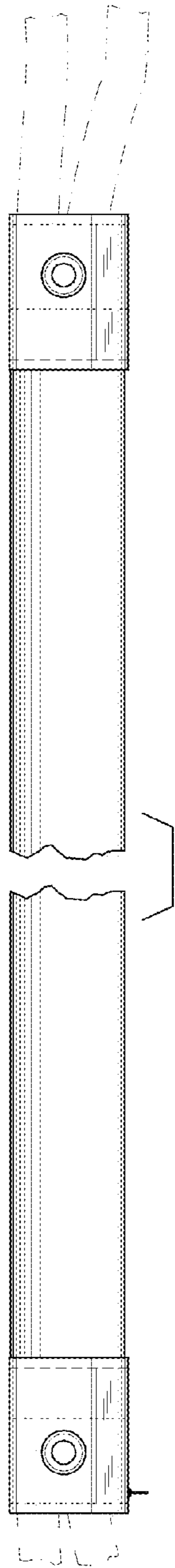


FIG. 2

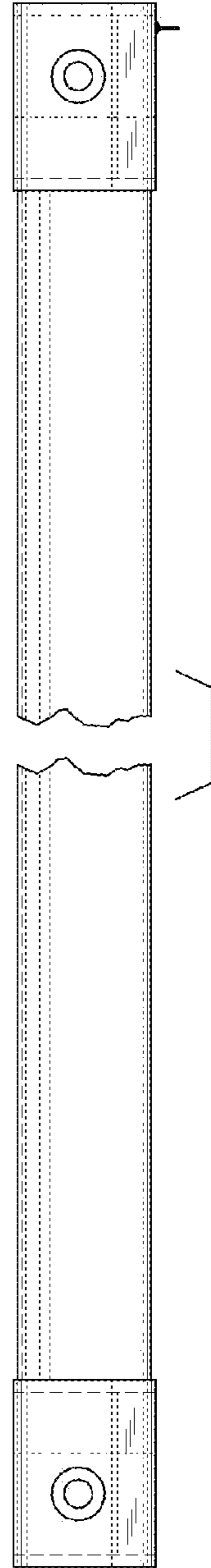


FIG. 3

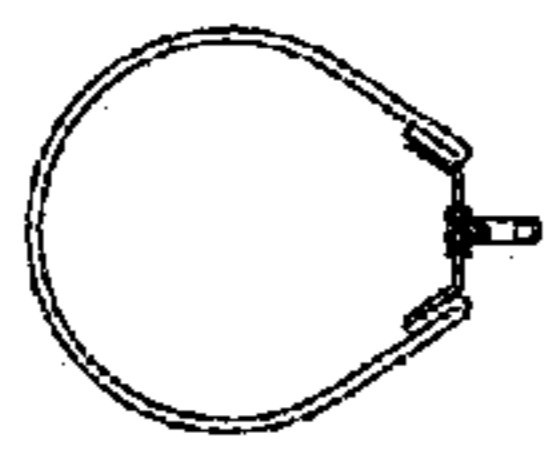


FIG. 4

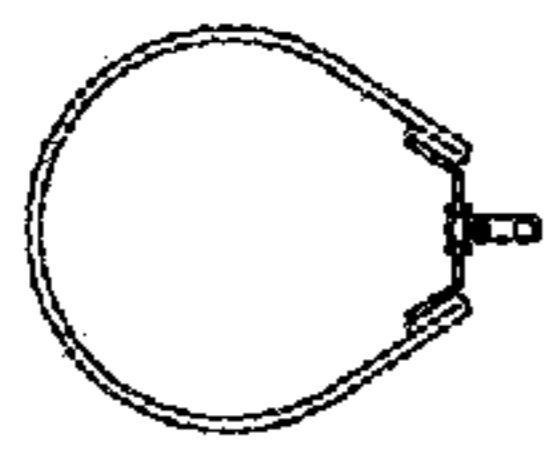


FIG. 5

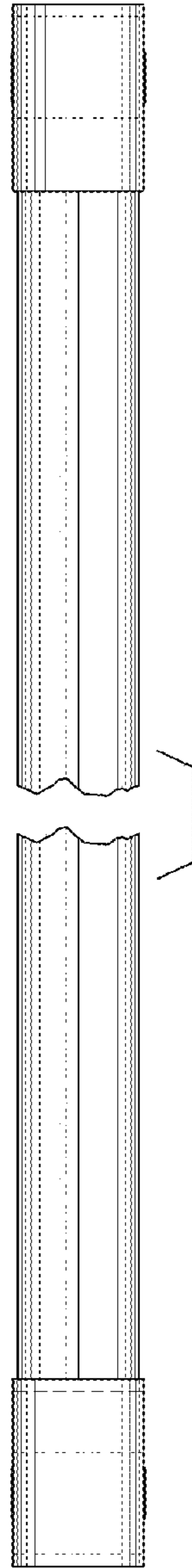
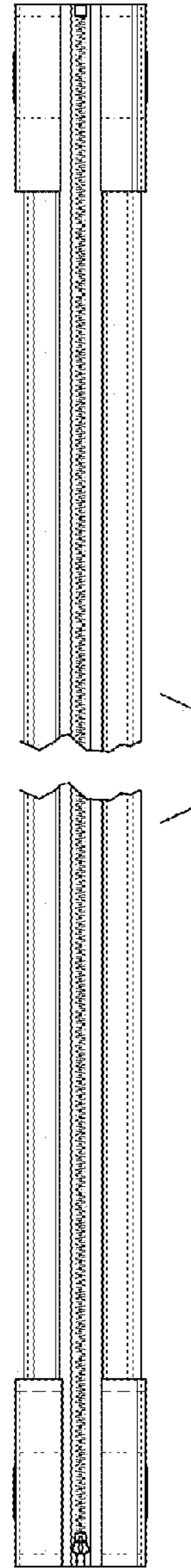


FIG. 6



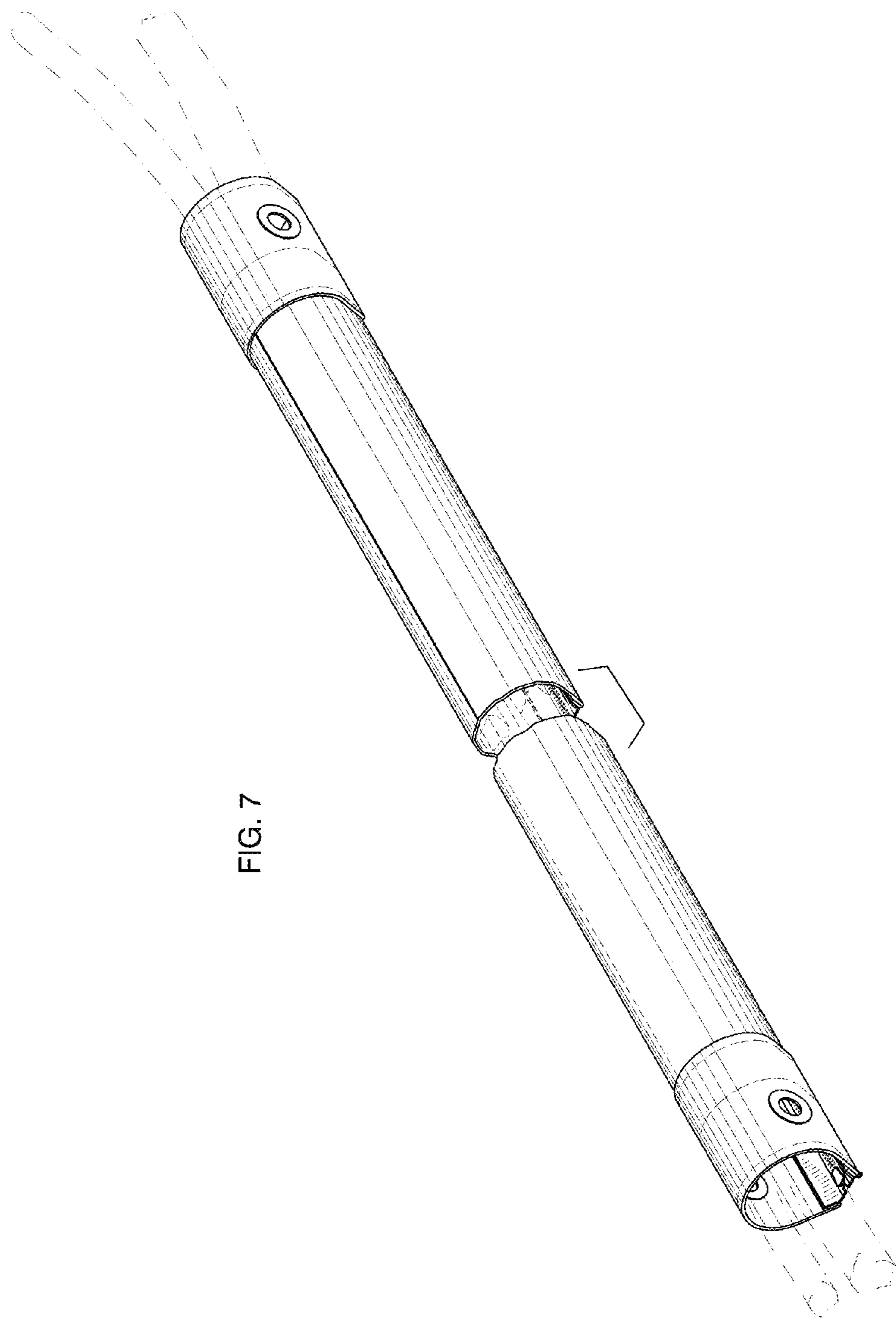


FIG. 8

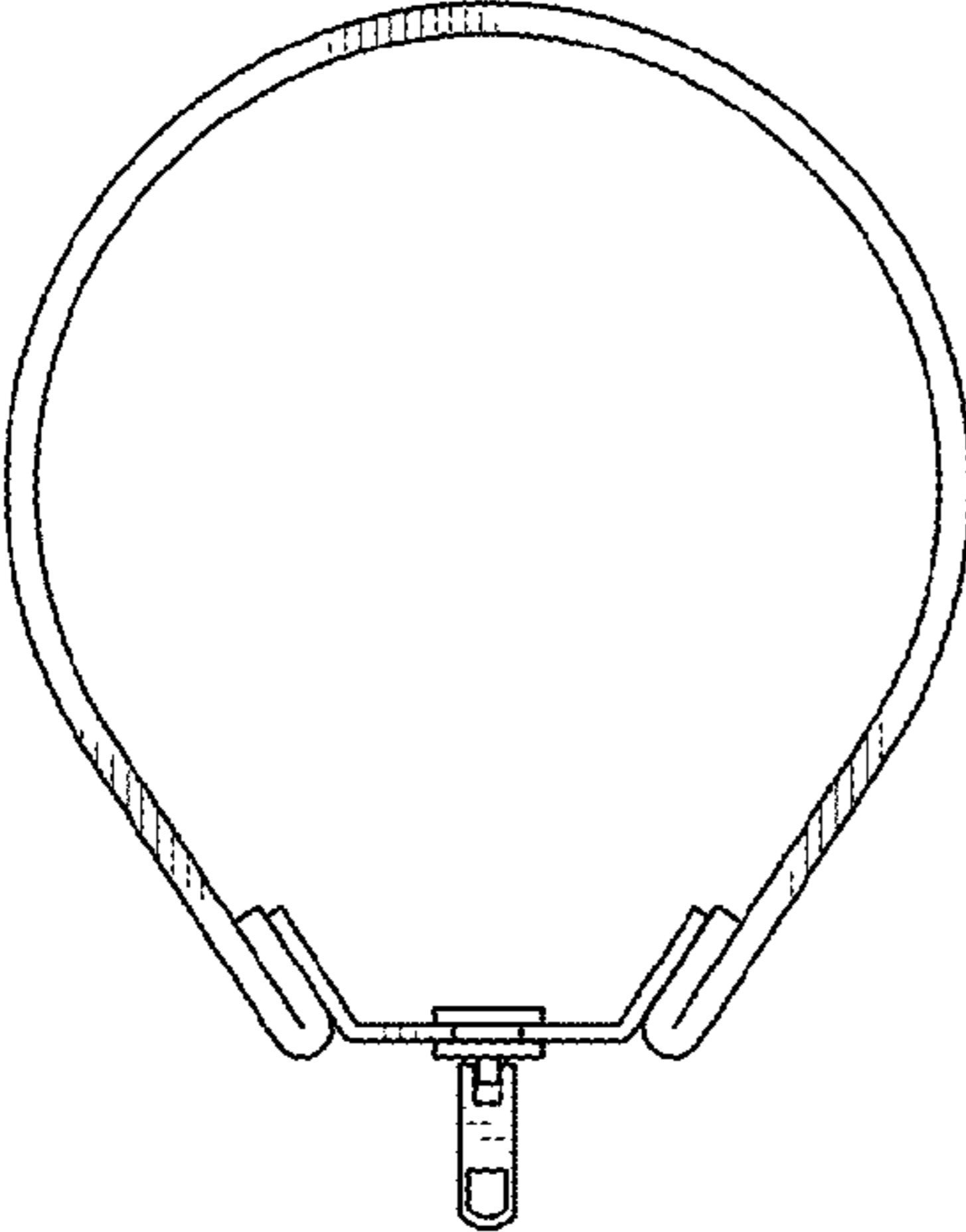


FIG. 9

