



US00D704142S

(12) **United States Design Patent**
Kim

(10) **Patent No.:** **US D704,142 S**

(45) **Date of Patent:** **** May 6, 2014**

(54) **SOCKET HOUSING FOR COMMUNICATION
DEVICE**

(56)

References Cited

U.S. PATENT DOCUMENTS

- (71) Applicant: **DongHo Kim**, Seoul (KR)
- (72) Inventor: **DongHo Kim**, Seoul (KR)
- (73) Assignee: **UJU Electronics Co. Ltd.** (KR)
- (**) Term: **14 Years**

D488,781	S	*	4/2004	Taguchi	D13/147
D489,334	S	*	5/2004	Taguchi	D13/147
D503,680	S	*	4/2005	Taguchi	D13/147
D519,082	S	*	4/2006	Miyamoto et al.	D13/147
D525,205	S	*	7/2006	Miyamoto et al.	D13/147
D576,953	S	*	9/2008	Gao et al.	D13/147
2013/0157481	A1	*	6/2013	Soo	439/83
2013/0210280	A1	*	8/2013	Soo	439/626

* cited by examiner

(21) Appl. No.: **29/450,581**

Primary Examiner — Daniel Bui

(22) Filed: **Mar. 19, 2013**

(74) *Attorney, Agent, or Firm* — John K. Park; Park Law Firm

(51) **LOC (10) Cl.** **13-03**

(57) **CLAIM**

The ornamental design for a socket housing for communication device, as shown and described.

(52) **U.S. Cl.**
USPC **D13/147**

DESCRIPTION

(58) **Field of Classification Search**
USPC D13/147, 154, 184, 199; 439/64, 79,
439/159–160, 330, 331, 341, 342, 629, 630,
439/636, 660, 607.01, 607.04, 607.05,
439/607.17, 607.25, 607.34, 607.41,
439/607.53, 862, 884, 946

FIG. 1 is a perspective view of a socket housing for communication device showing my new design;
FIG. 2 is a front view thereof;
FIG. 3 is a rear view thereof;
FIG. 4 is a left side view thereof;
FIG. 5 is a right side view thereof;
FIG. 6 is a top plan view thereof; and,
FIG. 7 is a bottom view thereof.

See application file for complete search history.

1 Claim, 2 Drawing Sheets

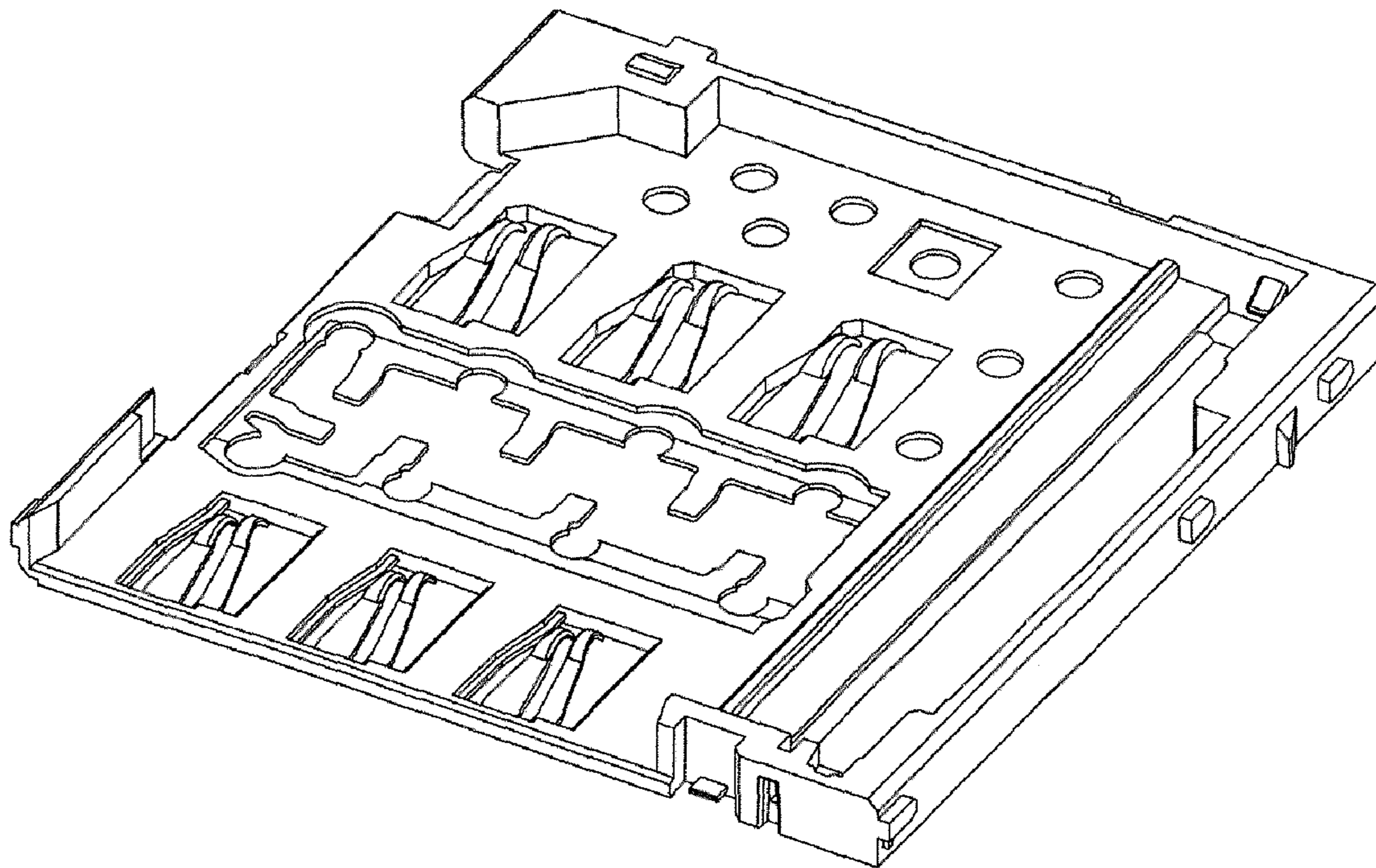


Fig. 1

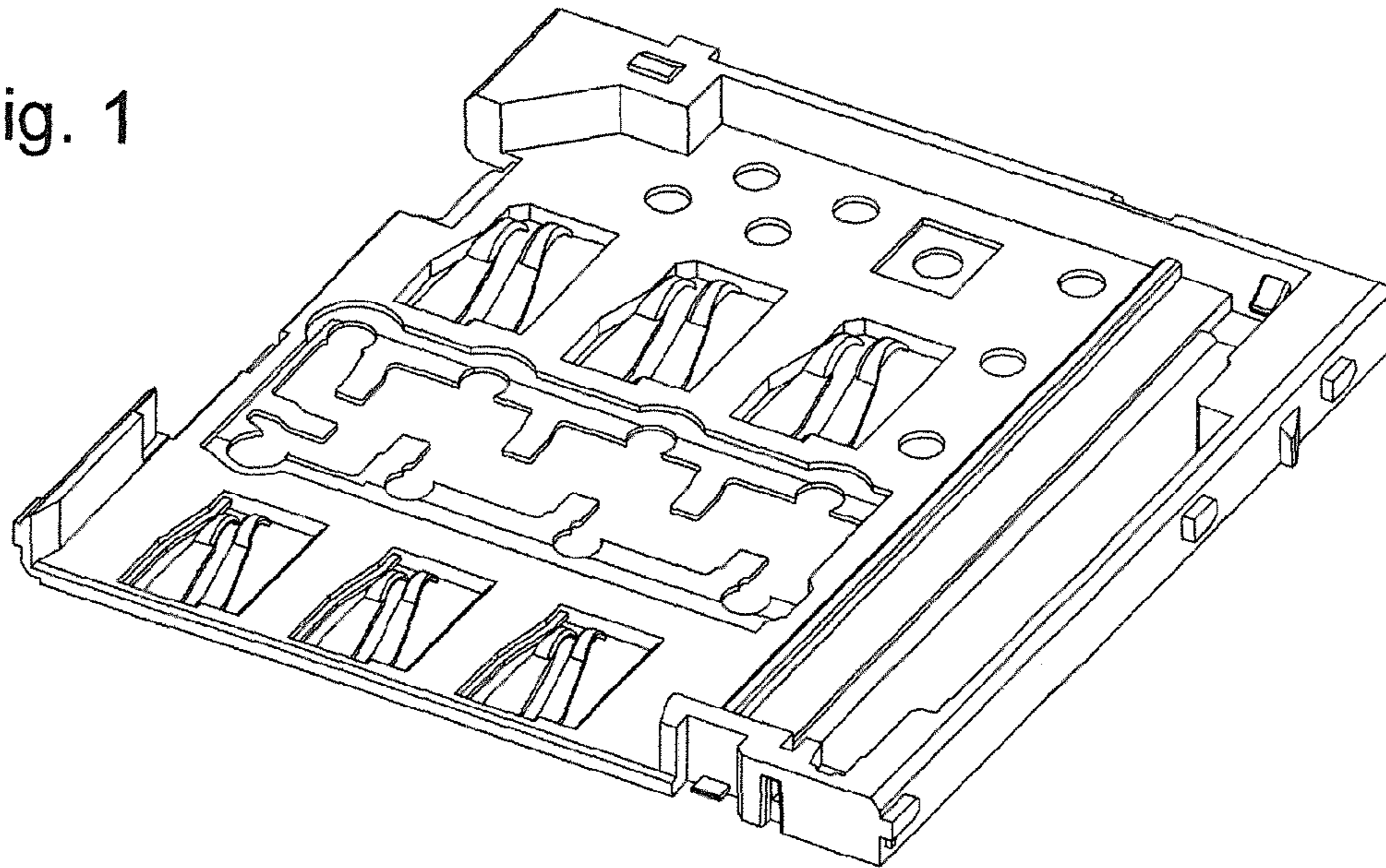


Fig. 2



Fig. 3

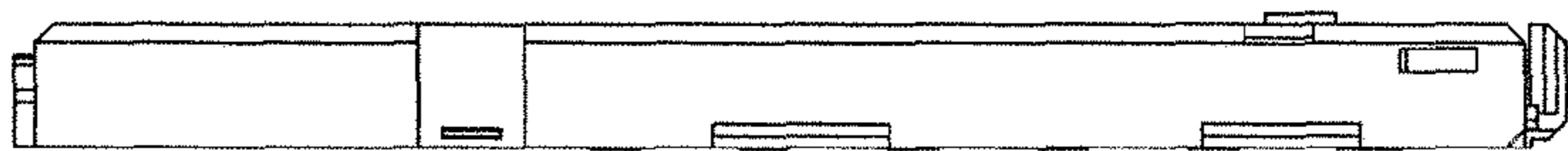


Fig. 4

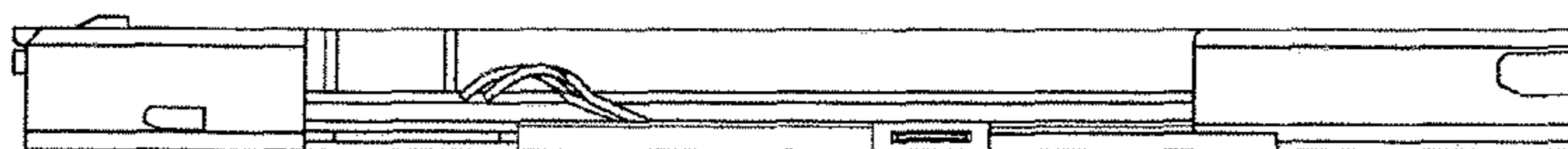


Fig. 5

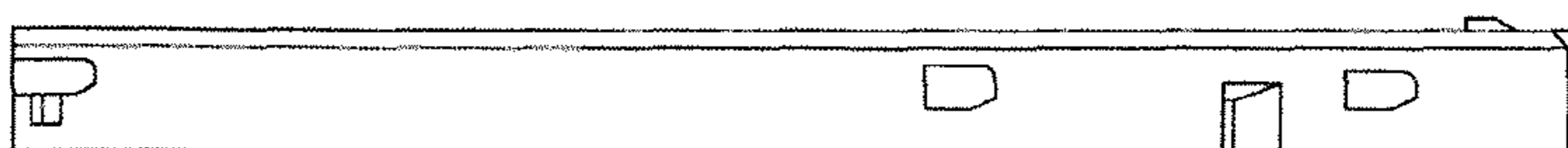


Fig. 6

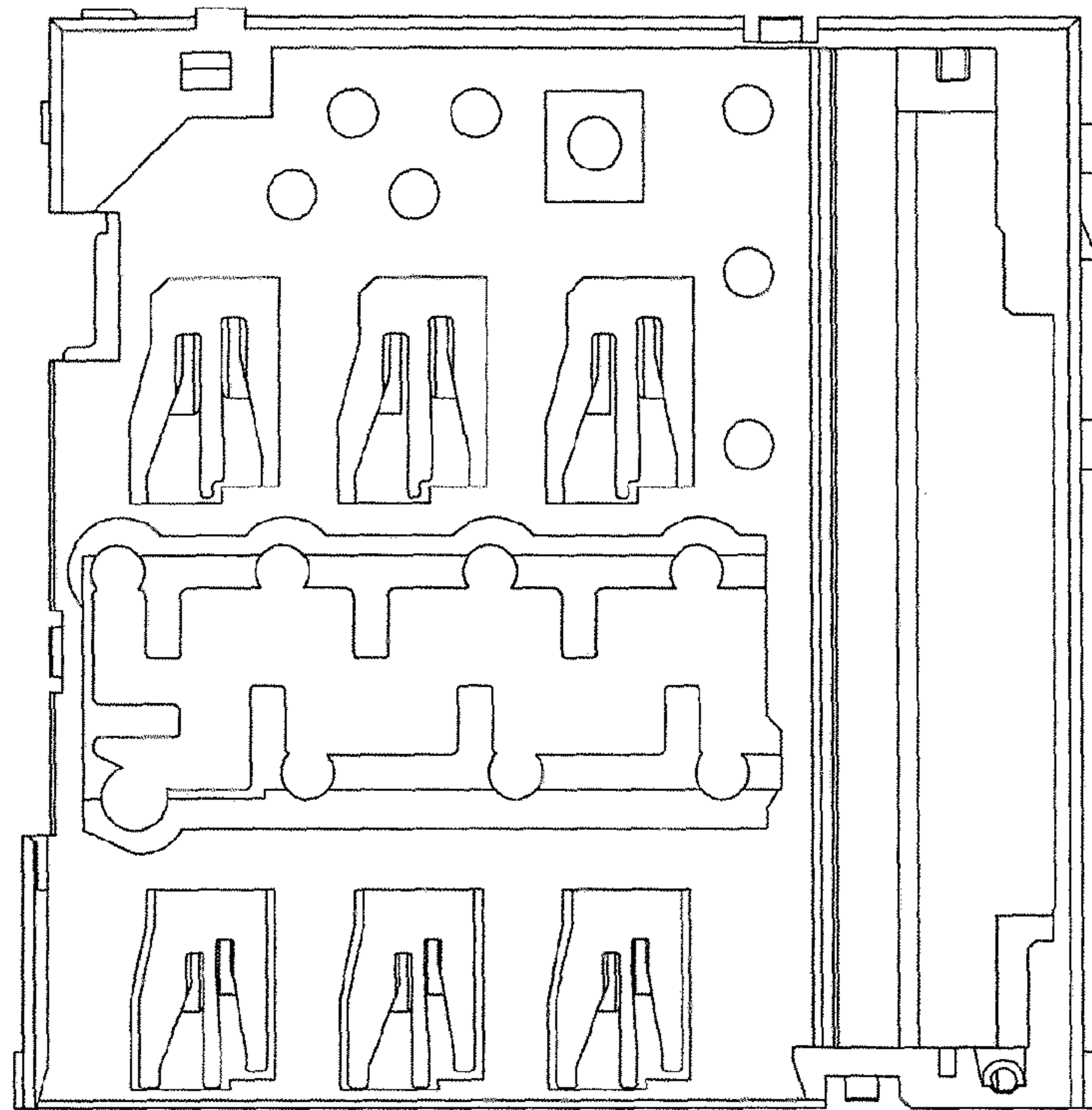


Fig. 7

