



US00D704141S

(12) **United States Design Patent**
Tsuji

(10) **Patent No.:** **US D704,141 S**

(45) **Date of Patent:** **** May 6, 2014**

(54) **CARD CONNECTOR**

JP D1338685 S 8/2008
JP D1438491 S 4/2012

* cited by examiner

(71) Applicant: **Tyco Electronics Japan G.K.**,
Kanagawa-ken (JP)

Primary Examiner — Daniel Bui
(74) *Attorney, Agent, or Firm* — Barley Snyder

(72) Inventor: **Junya Tsuji**, Tokyo (JP)

(57) **CLAIM**

The ornamental design for a card connector, as shown and described.

(73) Assignee: **Tyco Electronics Japan G.K.**,
Kanagawa-ken (JP)

DESCRIPTION

(**) Term: **14 Years**

(21) Appl. No.: **29/448,694**

(22) Filed: **Mar. 13, 2013**

(51) **LOC (10) Cl.** **13-03**

(52) **U.S. Cl.**
USPC **D13/147**

(58) **Field of Classification Search**
USPC D13/147, 154, 184, 199; 439/64, 79,
439/159–160, 330, 331, 341, 342, 629, 630,
439/636, 660, 607.01, 607.04, 607.05,
439/607.17, 607.25, 607.34, 607.41,
439/607.53, 862, 884, 946
See application file for complete search history.

(56) **References Cited**

U.S. PATENT DOCUMENTS

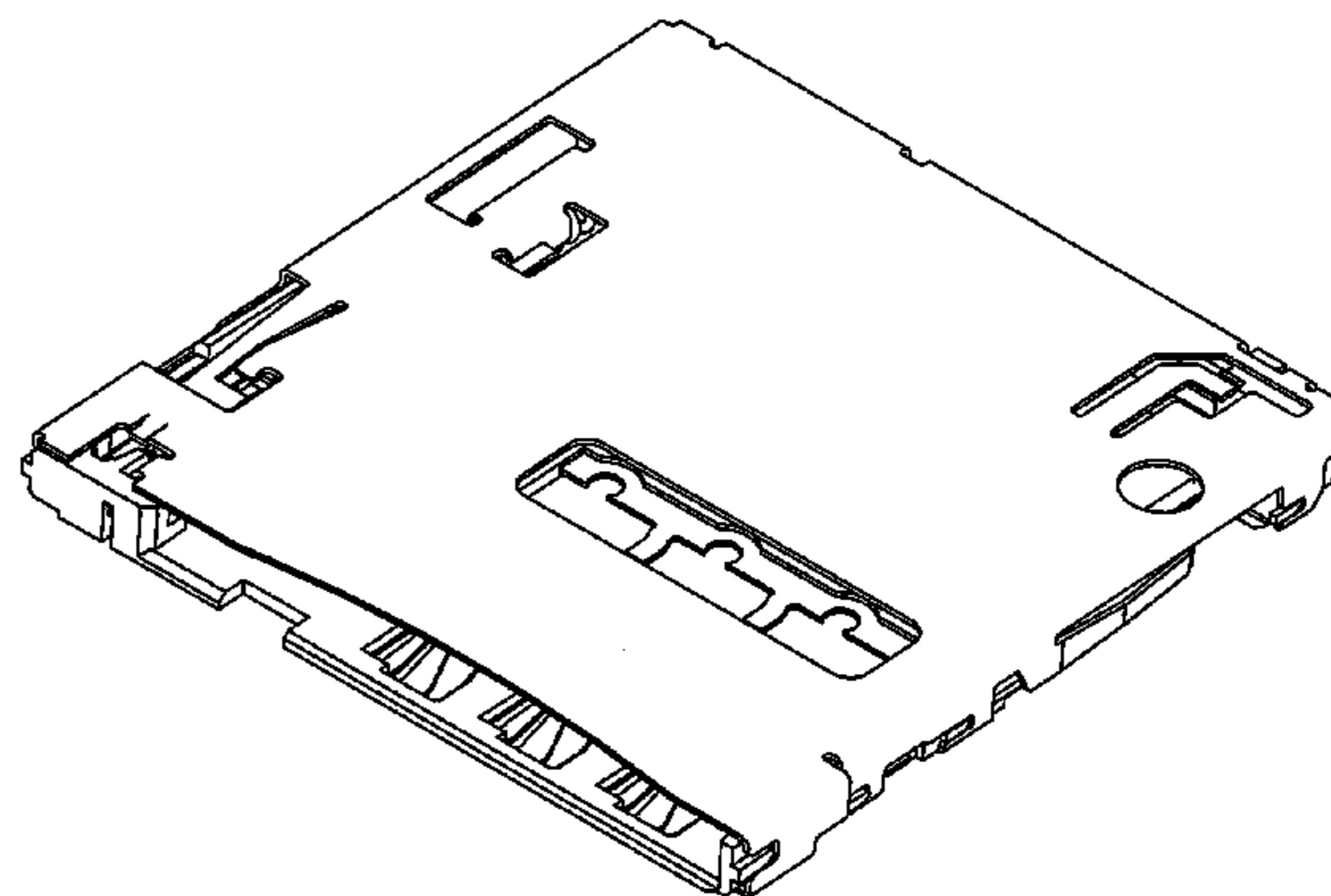
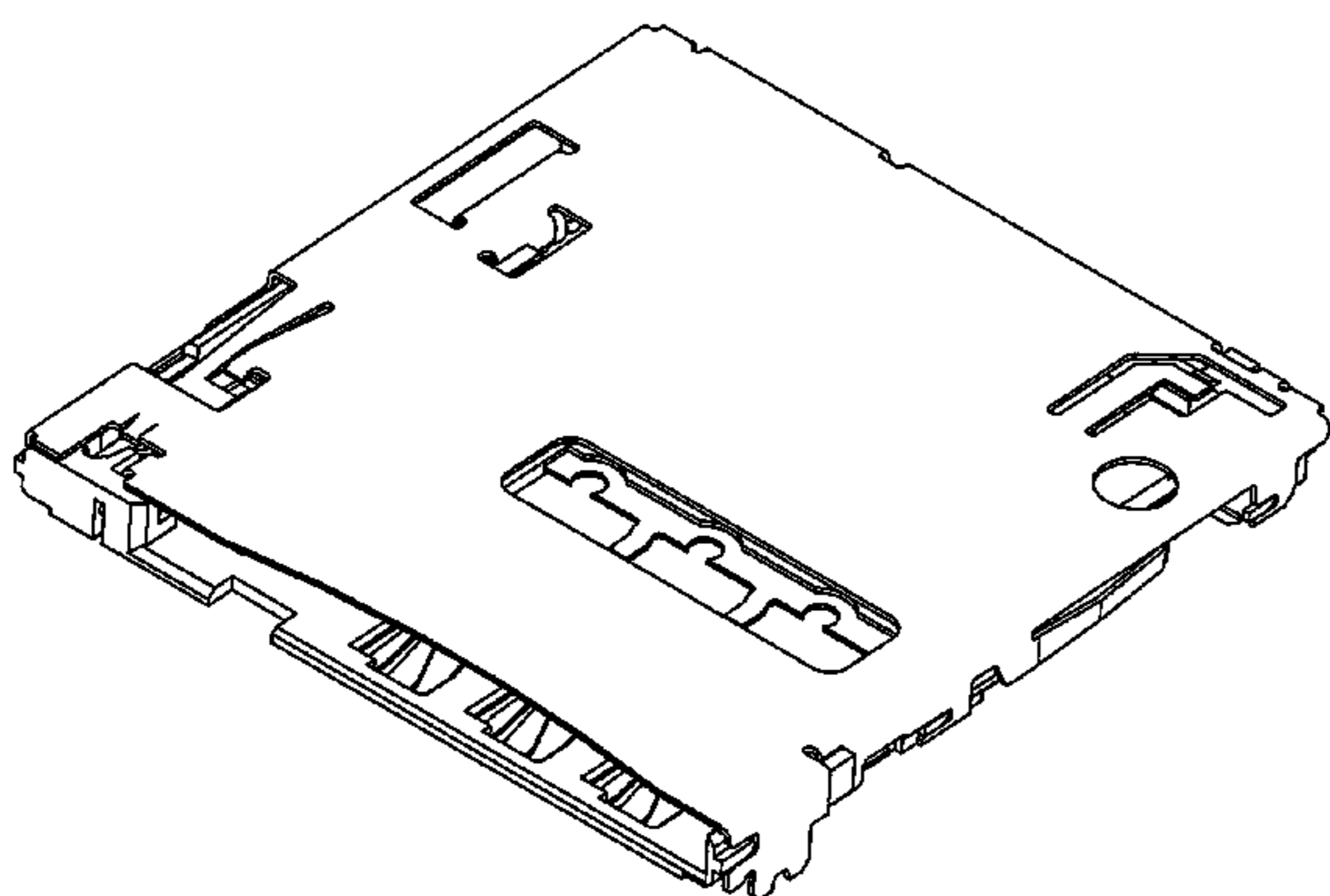
D518,783	S	*	4/2006	Takagi et al.	D13/147
D568,250	S	*	5/2008	Wu et al.	D13/147
D576,954	S	*	9/2008	Hsiao	D13/147
D614,576	S	*	4/2010	Chiang	D13/147
D627,736	S	*	11/2010	Gao et al.	D13/147
D644,997	S	*	9/2011	Su et al.	D13/147
D664,503	S	*	7/2012	Yang et al.	D13/147
2012/0329330	A1	*	12/2012	Uesaka et al.	439/630

FOREIGN PATENT DOCUMENTS

JP	D1199539	S	3/2004
JP	D1323077	S	3/2008

FIG. 1 is a first embodiment of a front, top, and right side perspective view of a card connector that consists of a top cover portion and a bottom portion in assembled condition, showing my new design;
 FIG. 2 is a front elevation view thereof;
 FIG. 3 is a top plan view thereof;
 FIG. 4 is a rear elevation view thereof;
 FIG. 5 is a right side elevation view thereof;
 FIG. 6 is a left side elevation view thereof;
 FIG. 7 is a bottom plan view thereof;
 FIG. 8 is a rear, bottom and right side perspective view thereof;
 FIG. 9 is a rear, bottom and left side perspective view thereof;
 FIG. 10 is a front, top and right side perspective view without top cover thereof;
 FIG. 11 is a second embodiment of a front, top, and right side perspective view of a card connector that consists of a top cover portion and a bottom portion in assembled condition, showing my new design;
 FIG. 12 is a front elevation view thereof;
 FIG. 13 is a top plan view thereof;
 FIG. 14 is a rear elevation view thereof;
 FIG. 15 is a right side elevation view thereof;
 FIG. 16 is a left side elevation view thereof;
 FIG. 17 is a bottom plan view thereof;
 FIG. 18 is a rear, bottom and right side perspective view thereof;
 FIG. 19 is a rear, bottom and left side perspective view thereof; and,
 FIG. 20 is a front, top and right side perspective view without top cover thereof.

1 Claim, 20 Drawing Sheets



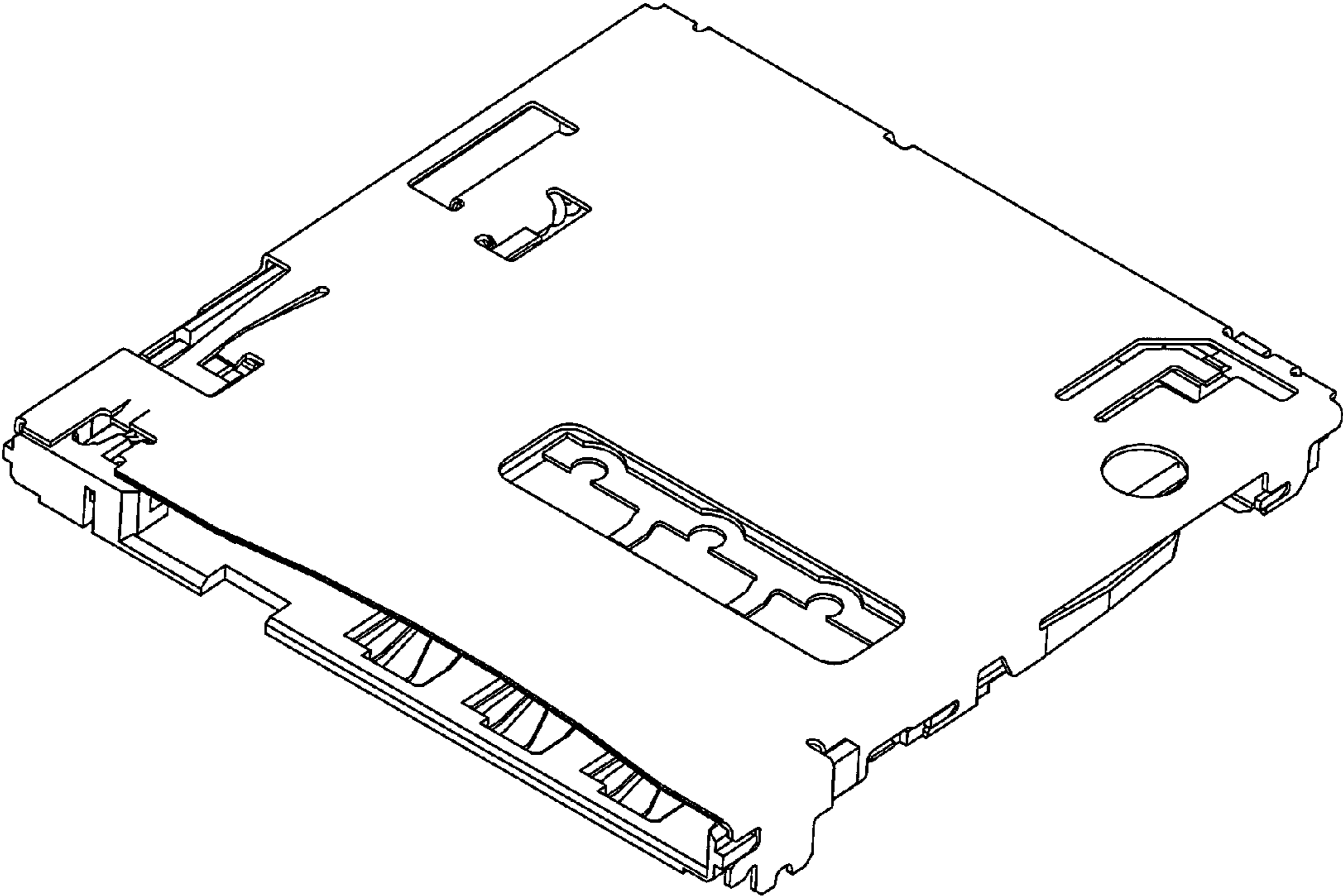


Fig. 1

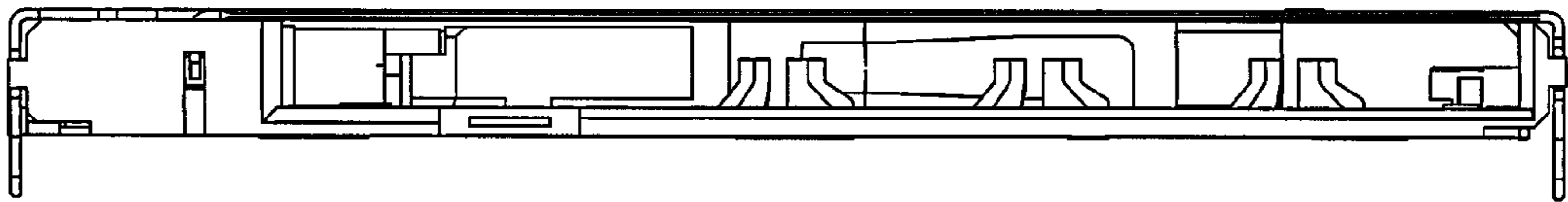


Fig. 2

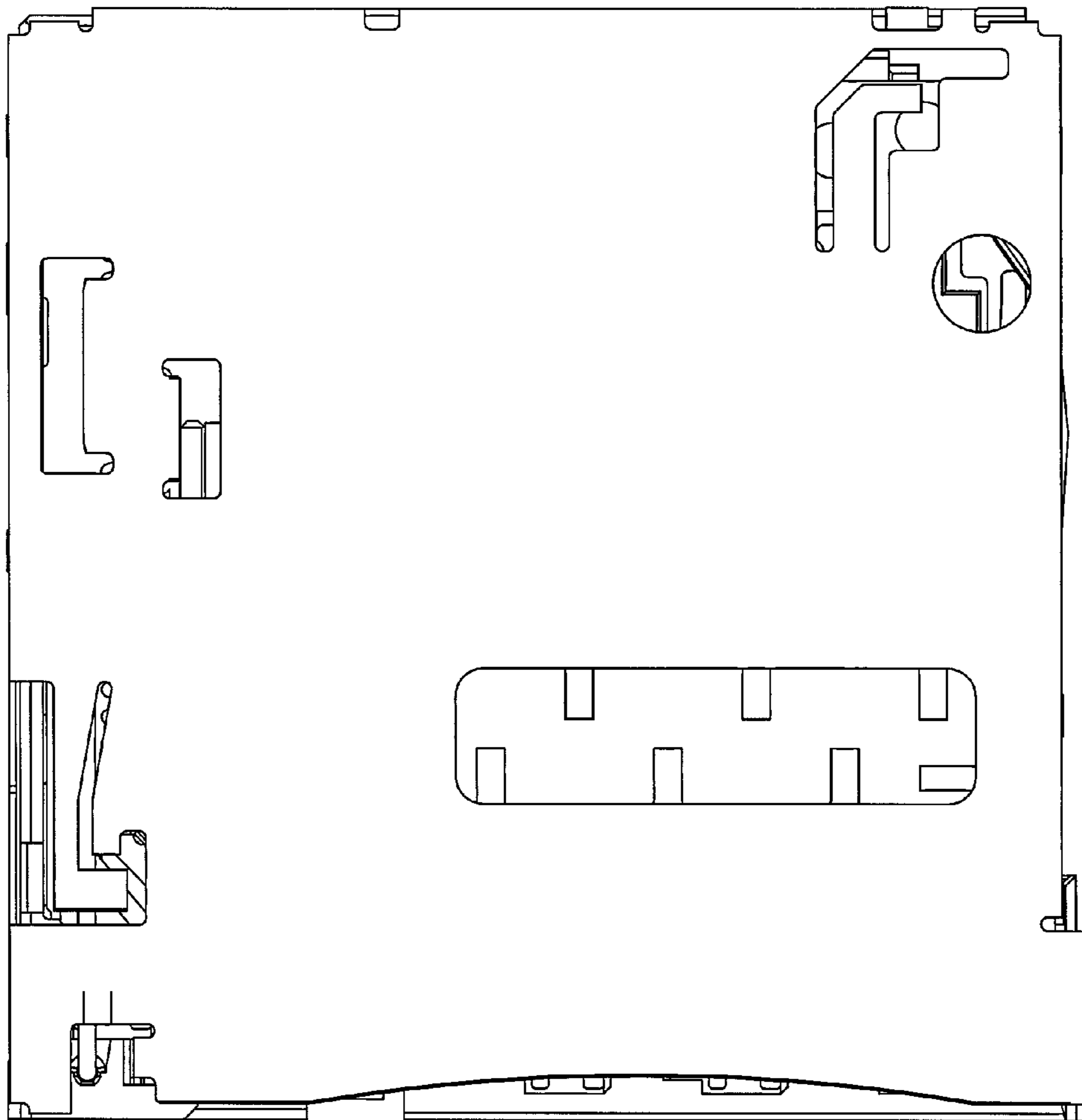


Fig. 3

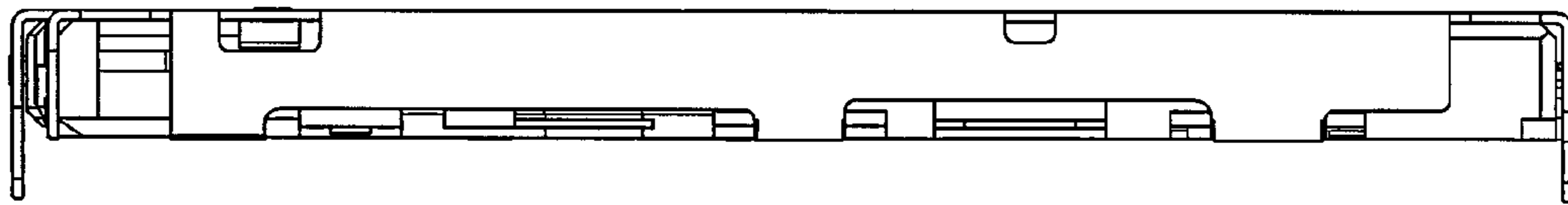


Fig. 4

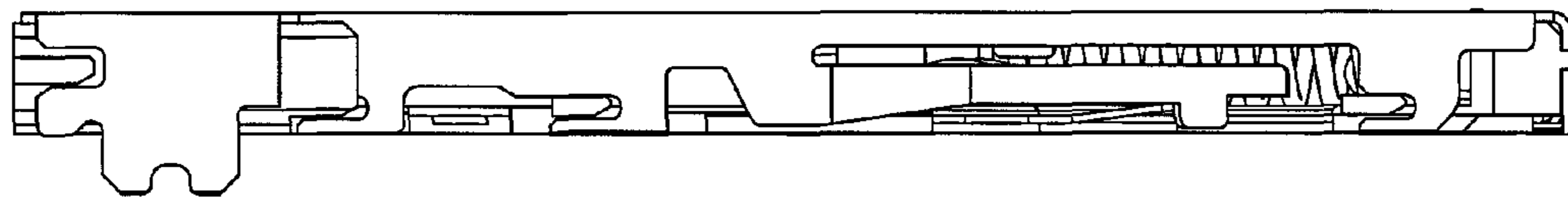


Fig. 5

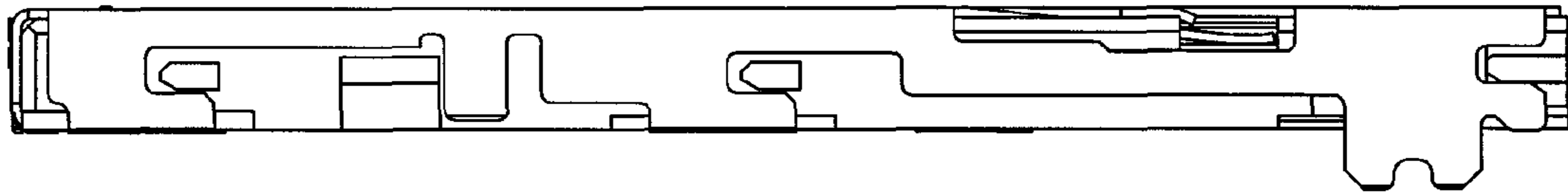


Fig. 6

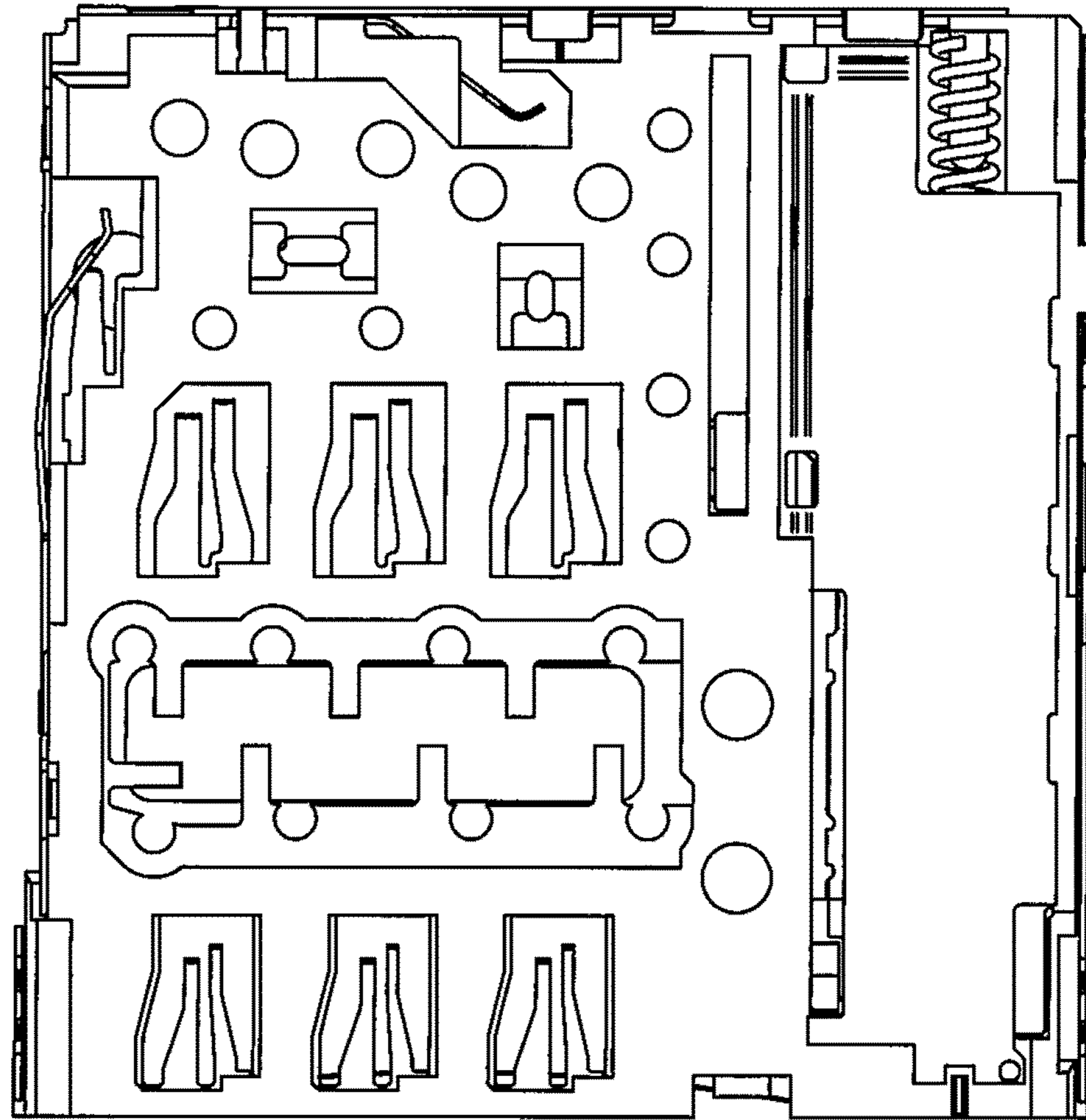


Fig. 7

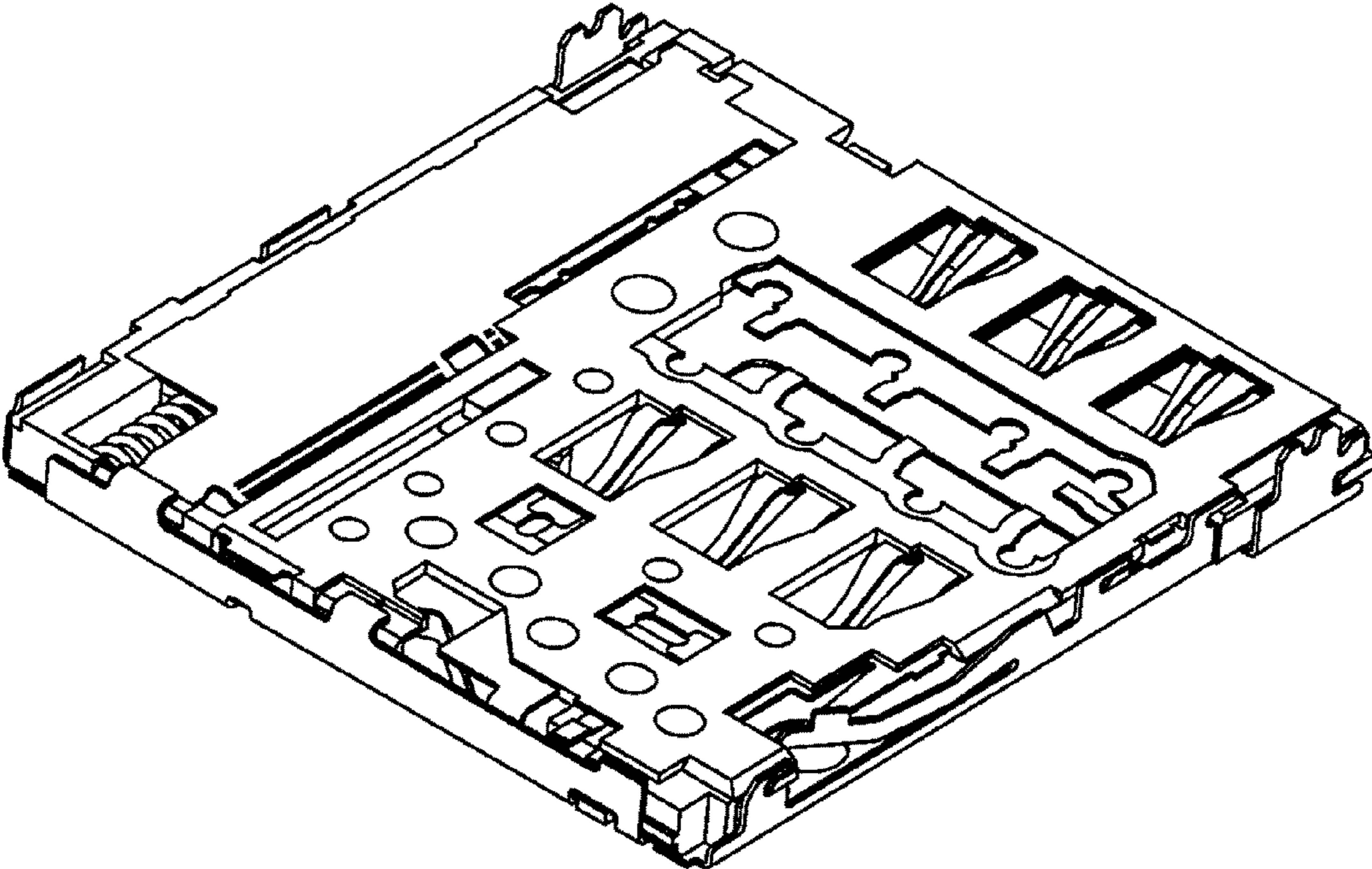


Fig. 8

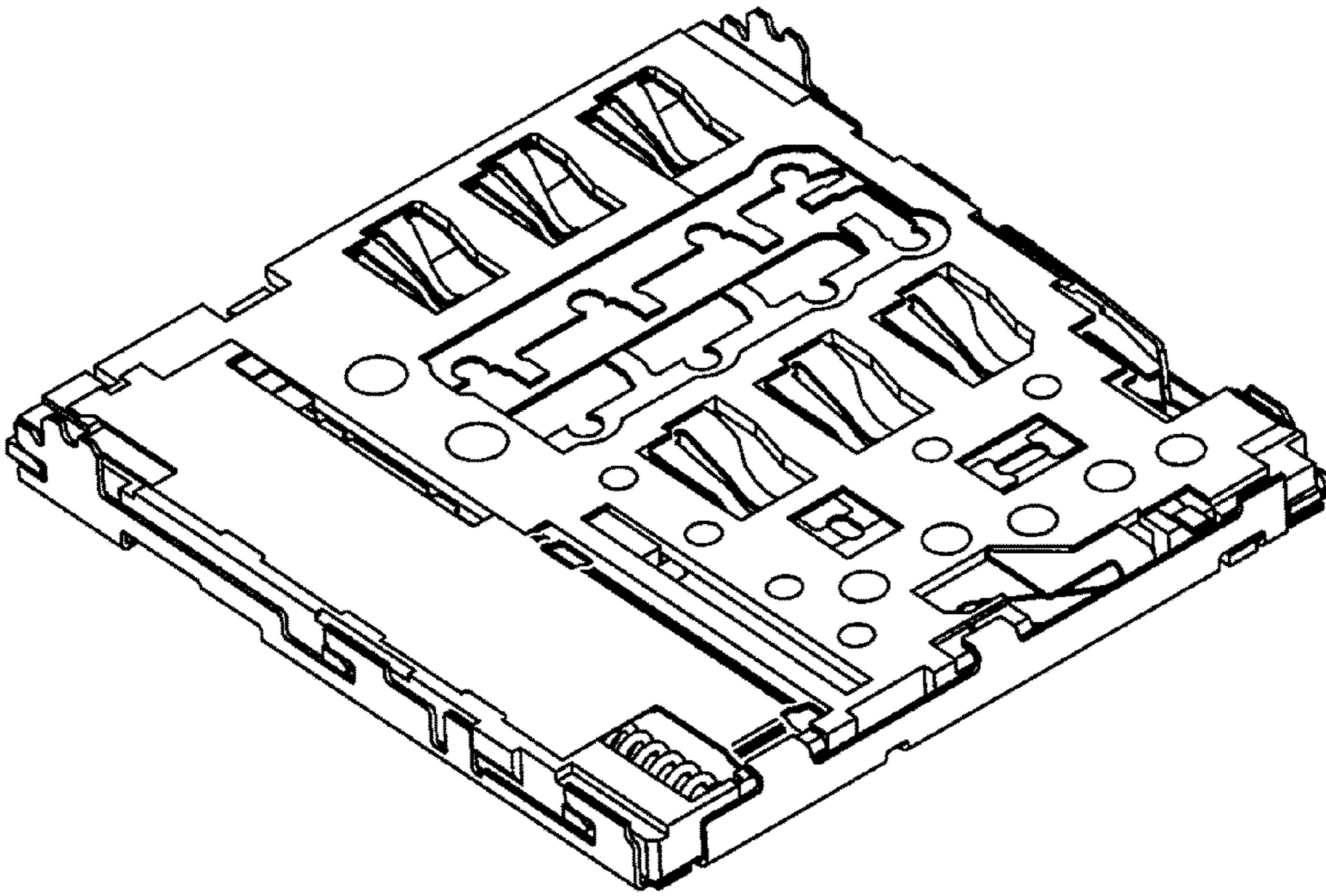


Fig. 9

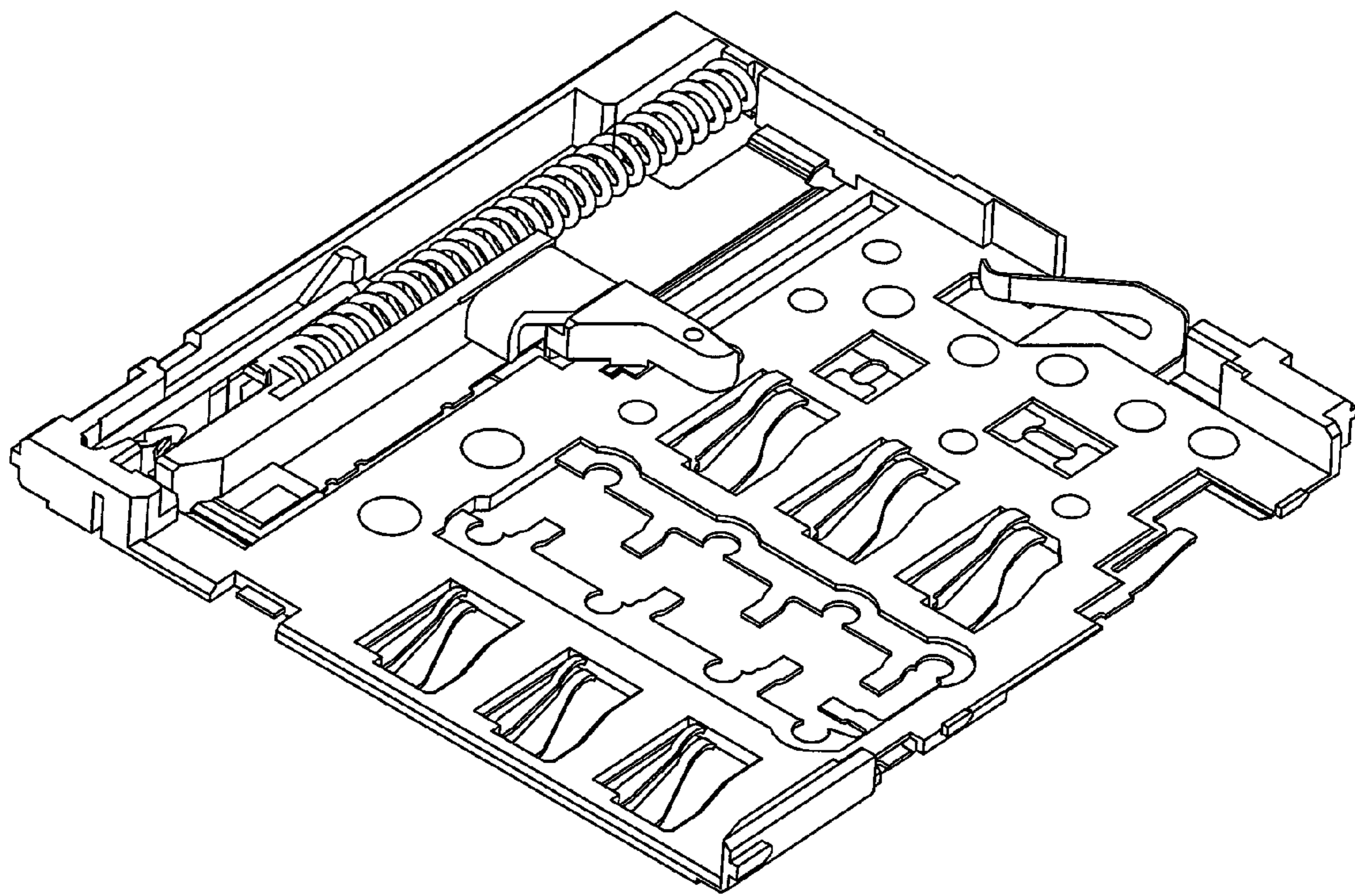


Fig. 10

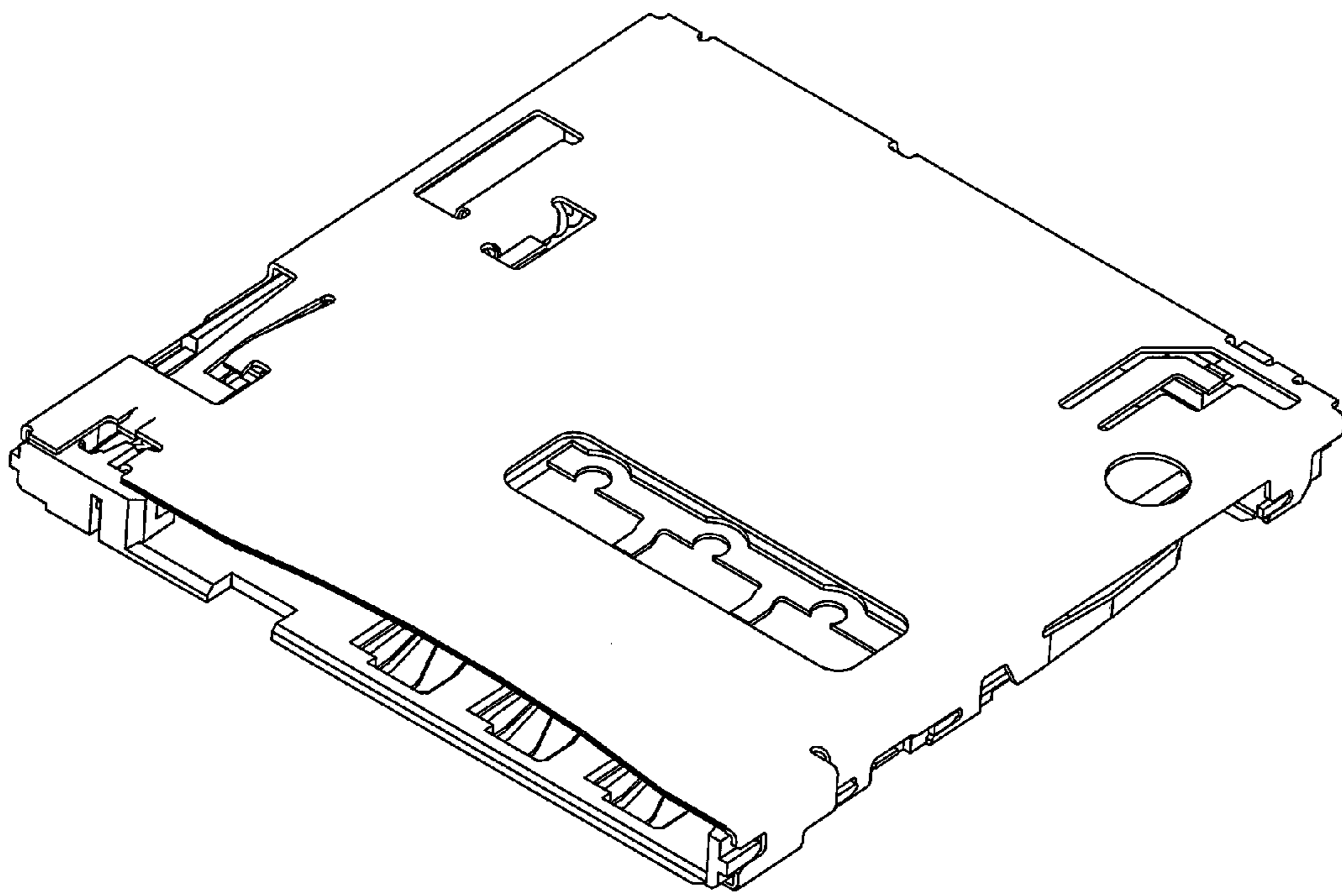


Fig. 11

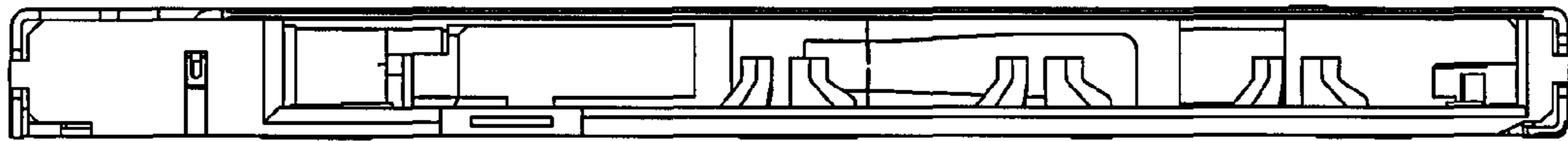


Fig. 12

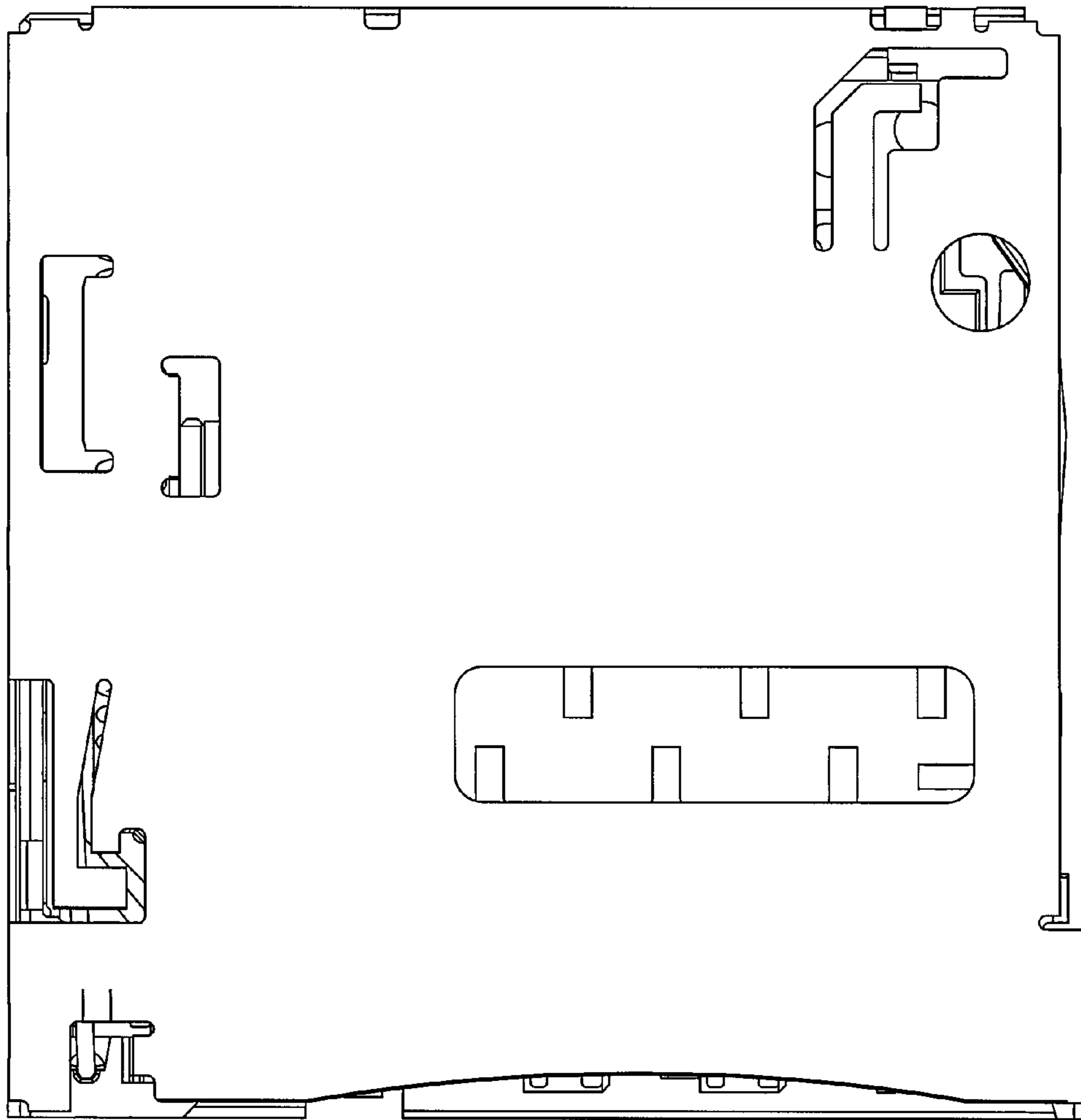


Fig. 13

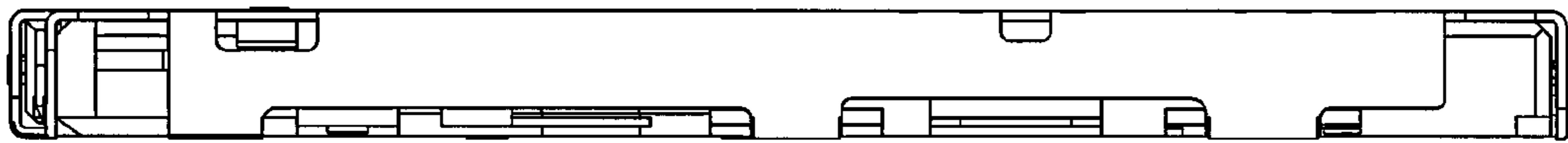


Fig. 14

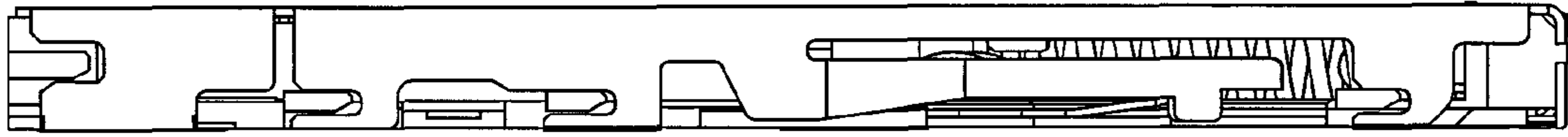


Fig. 15

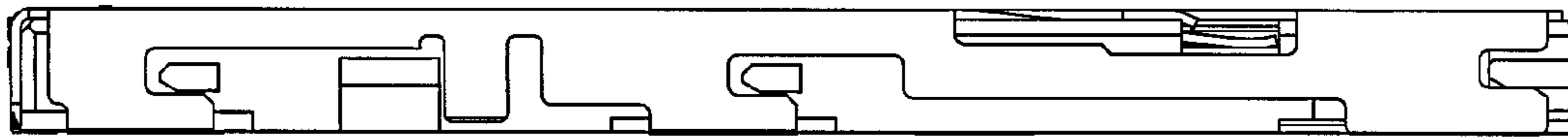


Fig. 16

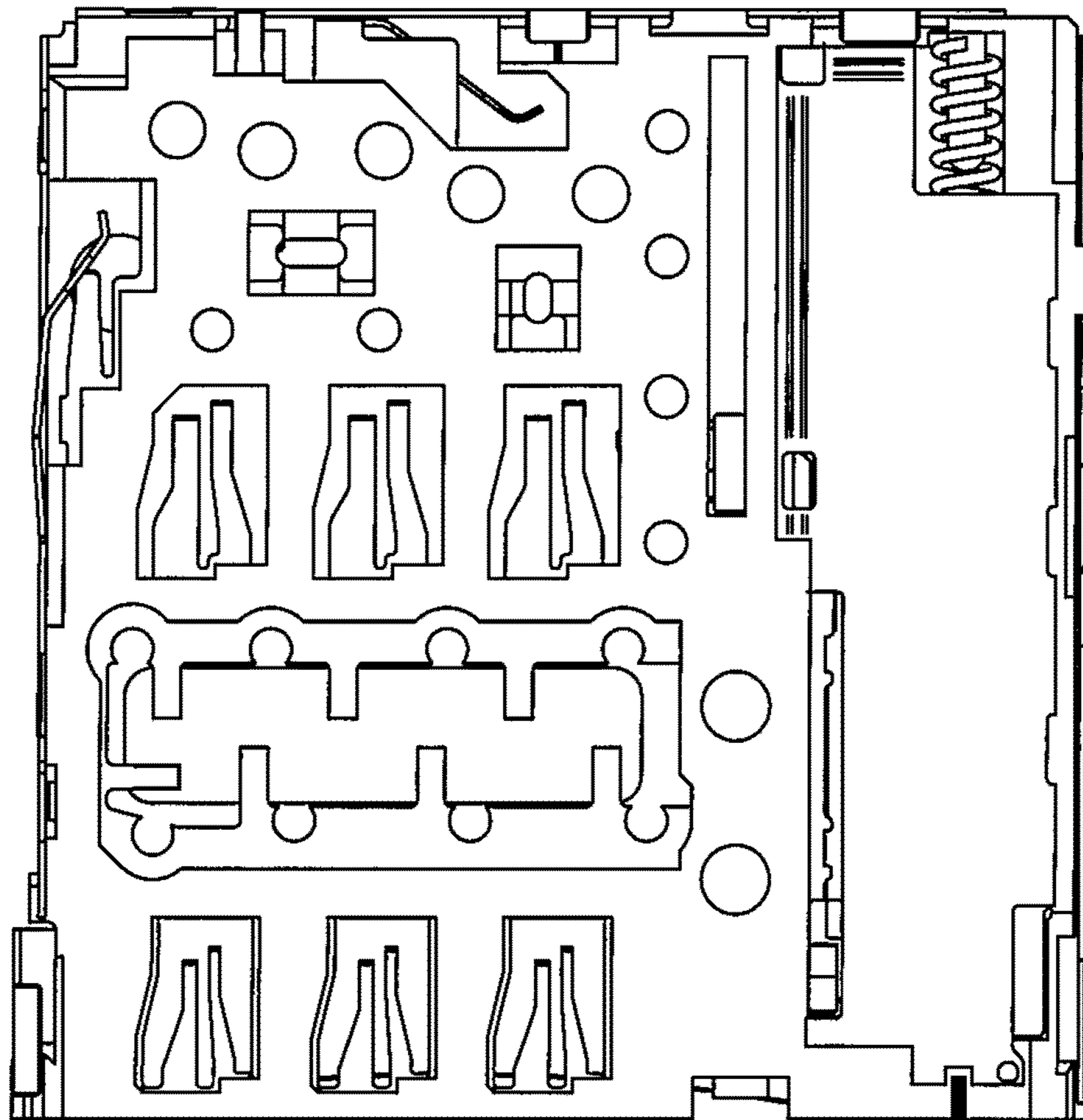


Fig. 17

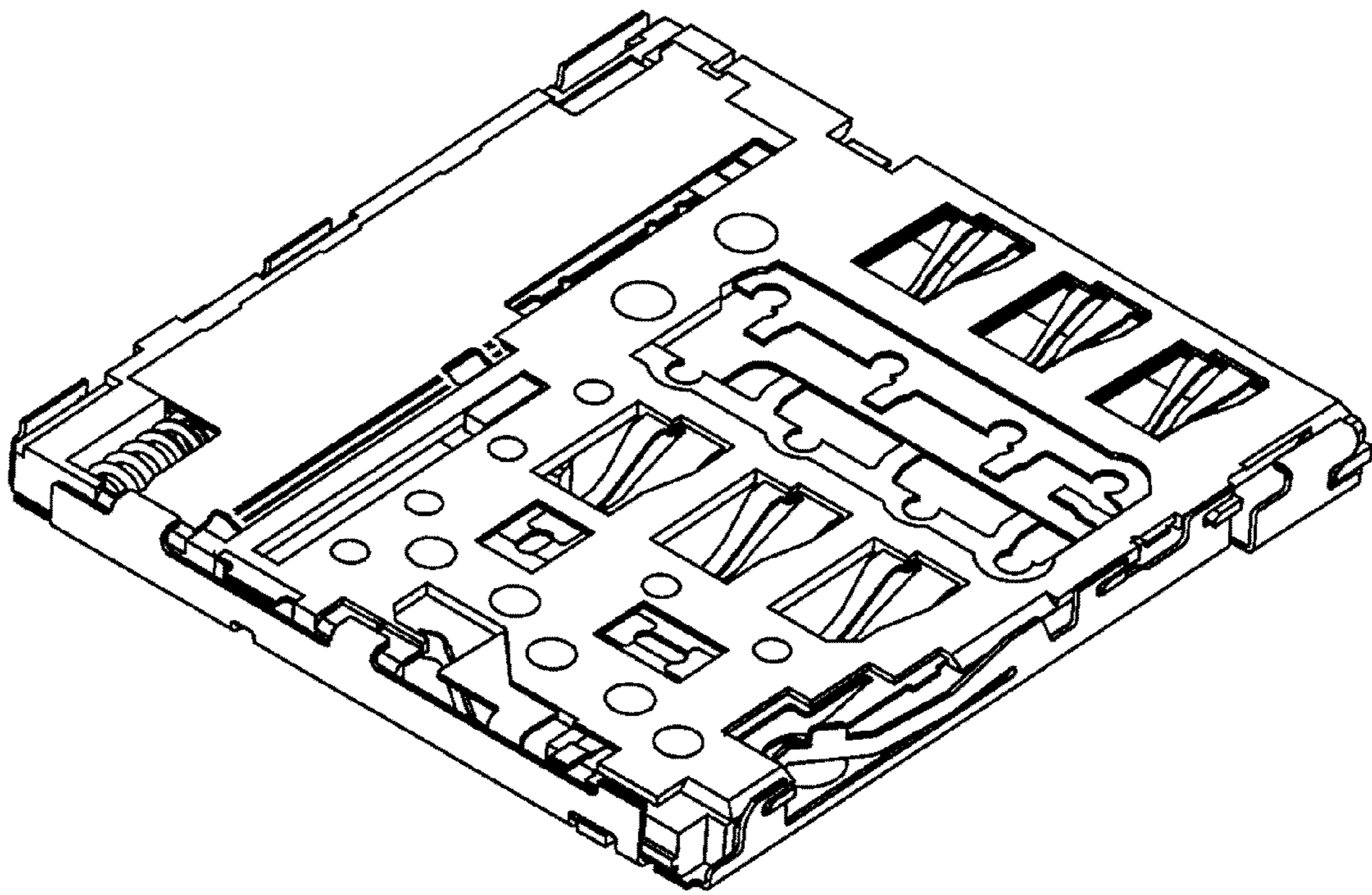


Fig. 18

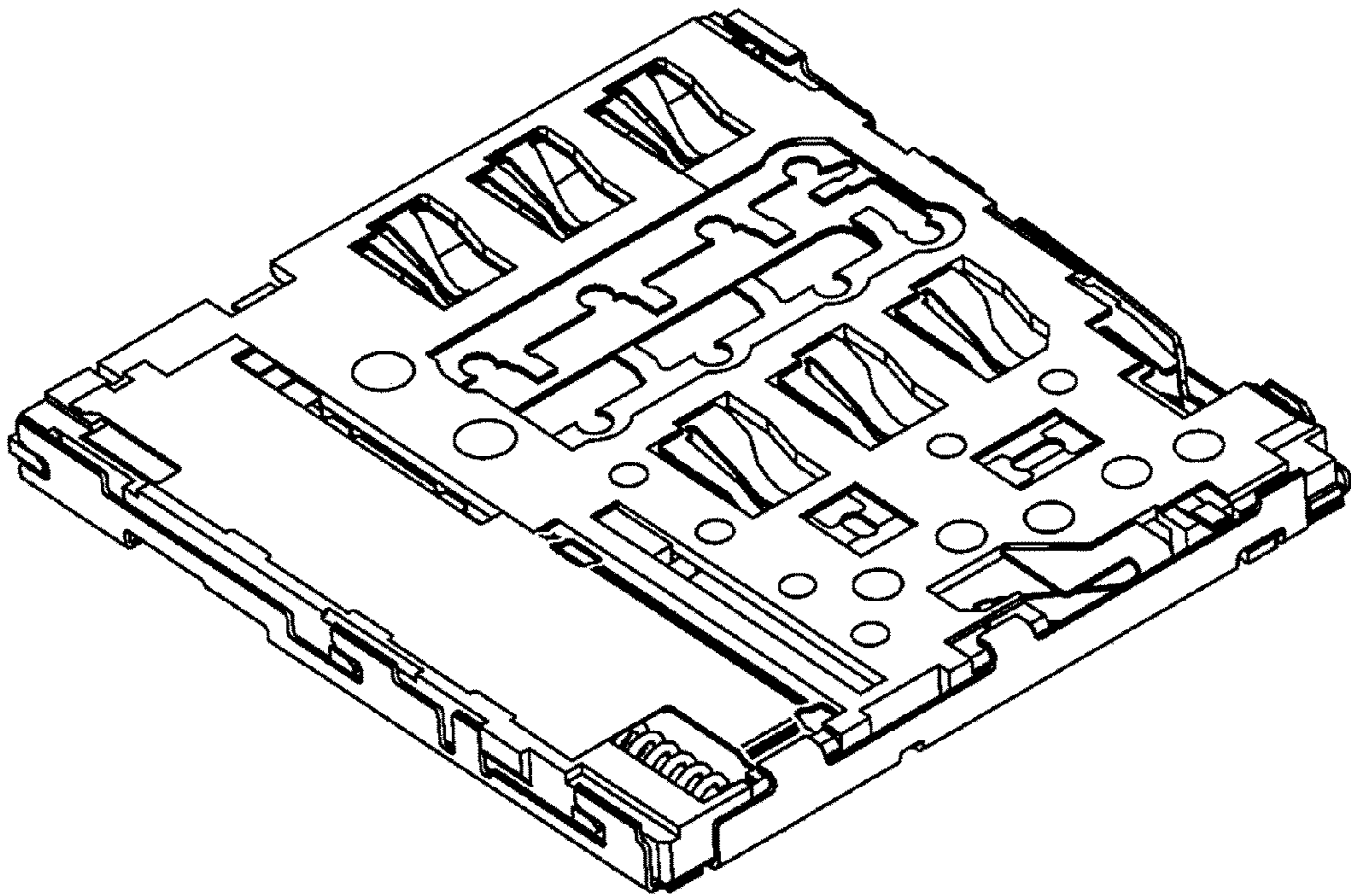


Fig. 19

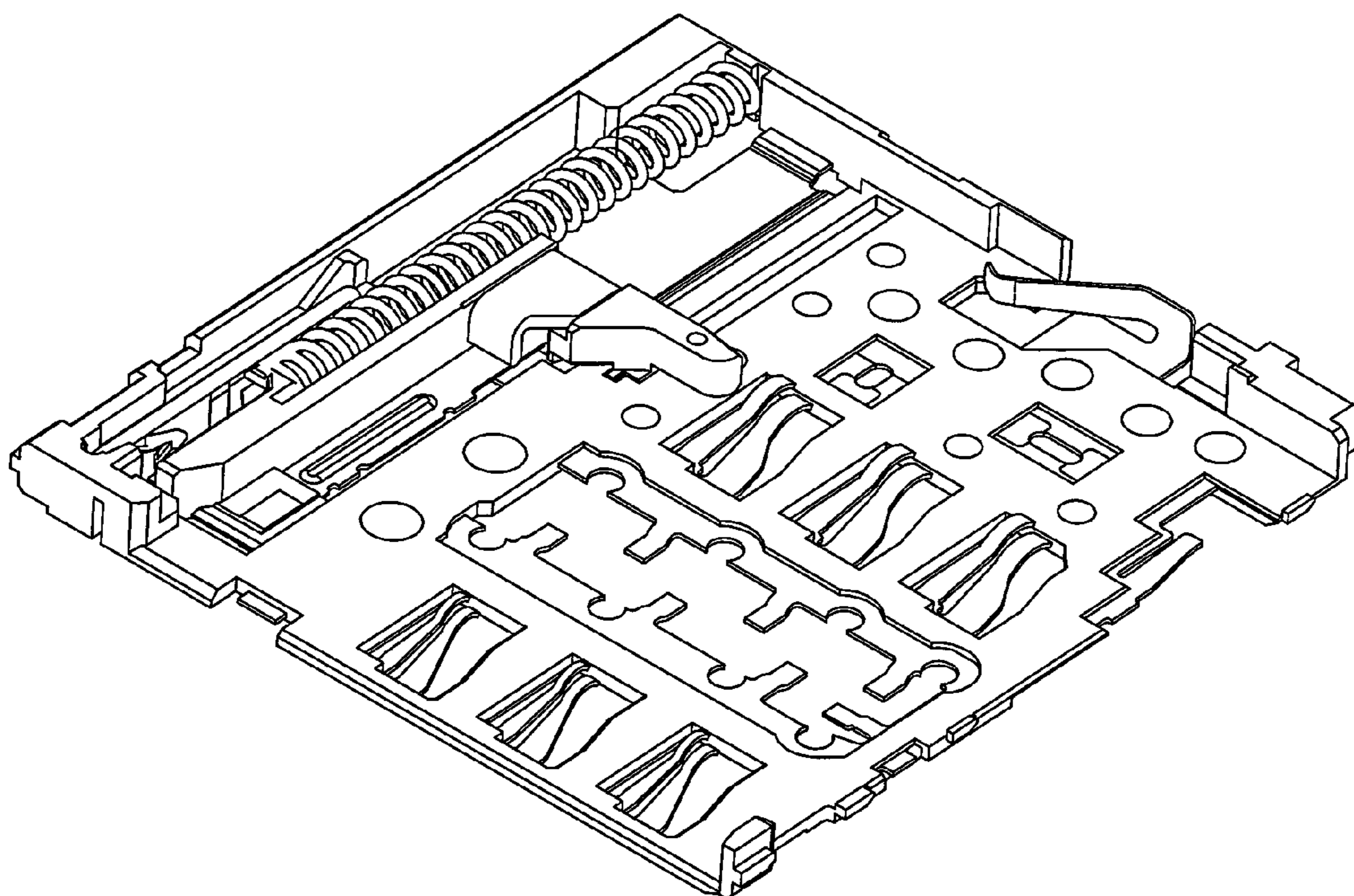


Fig. 20