



US00D704140S

(12) **United States Design Patent**
Little et al.

(10) **Patent No.:** **US D704,140 S**

(45) **Date of Patent:** **** May 6, 2014**

(54) **ELECTRICAL CONNECTOR ASSEMBLY**

D638,361 S * 5/2011 Sasaki et al. D13/147
D649,118 S * 11/2011 Kawakami et al. D13/147
D668,614 S * 10/2012 Amidon D13/147

(71) Applicants: **Terrance F. Little**, Fullerton, CA (US);
An-Jen Yang, Irvine, CA (US);
Chien-Ping Kao, Hershey, PA (US);
Kuo-Chun Hsu, New Taipei (TW)

* cited by examiner

(72) Inventors: **Terrance F. Little**, Fullerton, CA (US);
An-Jen Yang, Irvine, CA (US);
Chien-Ping Kao, Hershey, PA (US);
Kuo-Chun Hsu, New Taipei (TW)

Primary Examiner — Daniel Bui

(74) *Attorney, Agent, or Firm* — Wei Te Chung; Ming Chieh Chang

(73) Assignee: **Hon Hai Precision Industry Co., Ltd.**,
New Taipei (TW)

(57) **CLAIM**

The ornamental design for an electrical connector assembly,
as shown and described.

(**) Term: **14 Years**

(21) Appl. No.: **29/438,320**

DESCRIPTION

(22) Filed: **Nov. 28, 2012**

(51) **LOC (10) Cl.** **13-03**

(52) **U.S. Cl.**
USPC **D13/147**

(58) **Field of Classification Search**
USPC D13/133, 146, 147, 153, 154, 156, 157,
D13/184, 199; D14/432, 433, 435, 435.1,
D14/438; 345/156; 361/58, 814; 439/38-40,
439/66, 74, 77, 79, 129-130, 135, 146,
439/149-150, 176-177, 180, 188, 217-218,
439/225, 246, 252, 278-279, 290-291, 329,
439/344-346, 350-353, 357-358, 374, 378,
439/381, 476.1, 607.01, 607.04, 607.5,
439/607.6, 607.17, 607.21, 607.23, 607.25,
439/607.34, 607.41, 607.53, 623, 660, 668,
439/677, 678, 680, 682, 874, 883, 887, 892,
439/894

See application file for complete search history.

FIG. 1 is a top perspective view of the first connector of an electrical connector assembly showing our new design; FIG. 2 is a front view of the first connector; FIG. 3 is a rear view of the first connector; FIG. 4 is a left side view of the first connector; FIG. 5 is a right side view of the first connector; FIG. 6 is a top plan view of the first connector; FIG. 7 is a bottom plan view of the first connector; FIG. 8 is a top perspective view of the second connector of an electrical connector assembly showing our new design; FIG. 9 is a front view of the second connector; FIG. 10 is a rear view of the second connector; FIG. 11 is a left side view of the second connector; FIG. 12 is a right side view of the second connector; FIG. 13 is a top plan view of the second connector; FIG. 14 is a bottom plan view of the second connector; and, FIG. 15 is a top perspective view of the first connector and the second connector of an electrical connector assembly showing our new design.

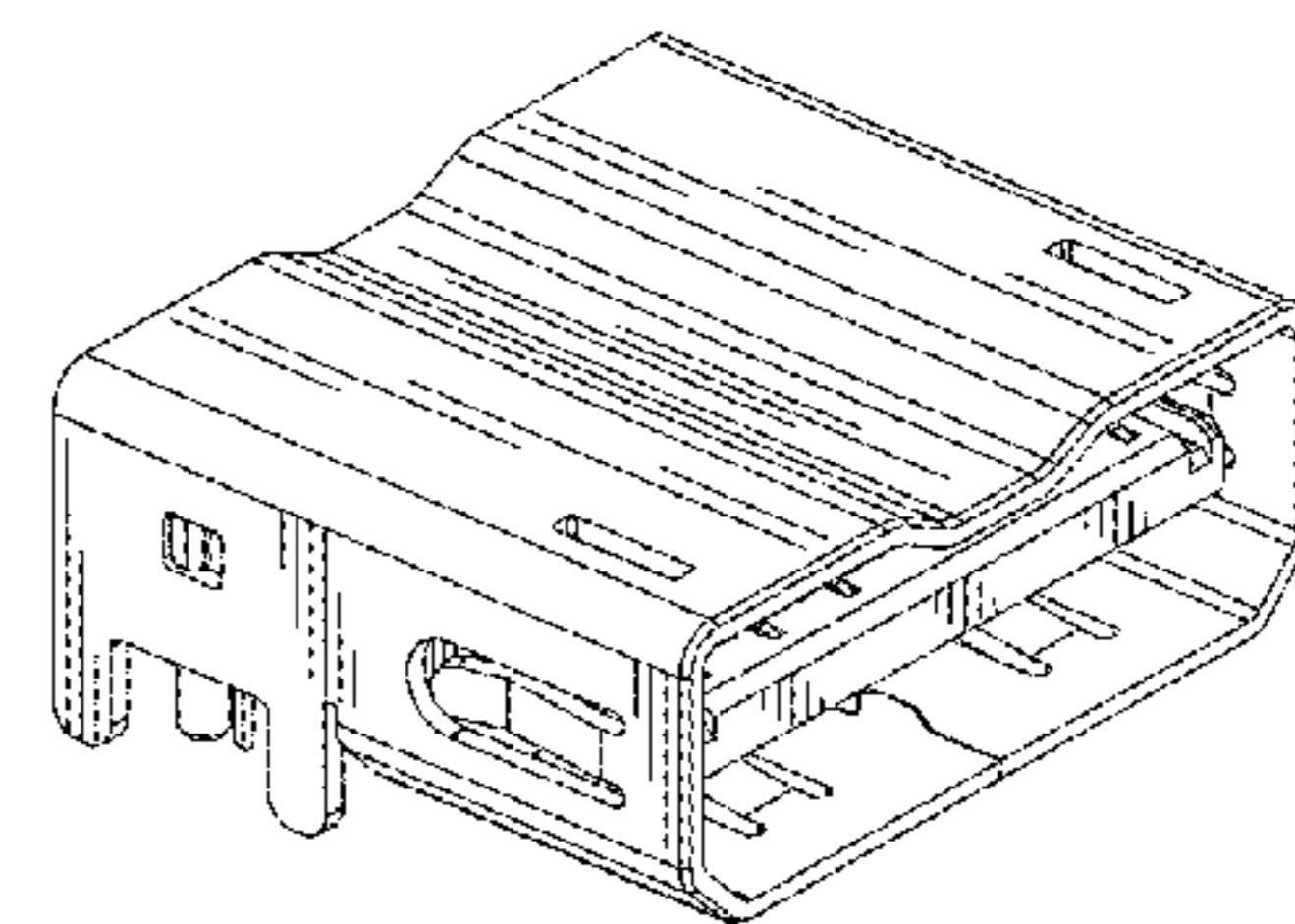
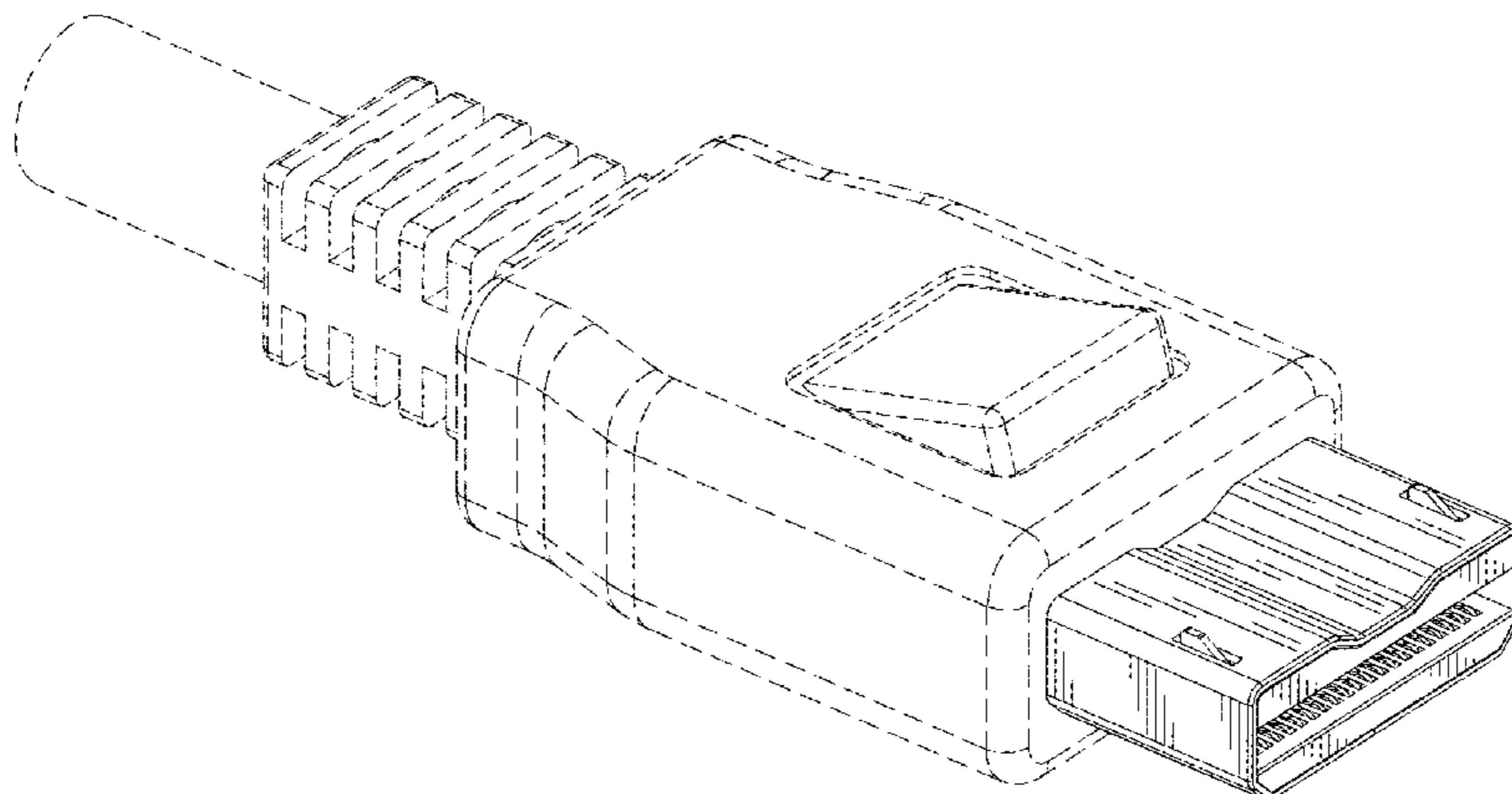
The broken line showing of the environment is for illustrative purposes only and forms no part of the claimed design.

(56) **References Cited**

U.S. PATENT DOCUMENTS

D531,580 S * 11/2006 Nishio et al. D13/147
D552,546 S * 10/2007 Nishio et al. D13/133

1 Claim, 15 Drawing Sheets



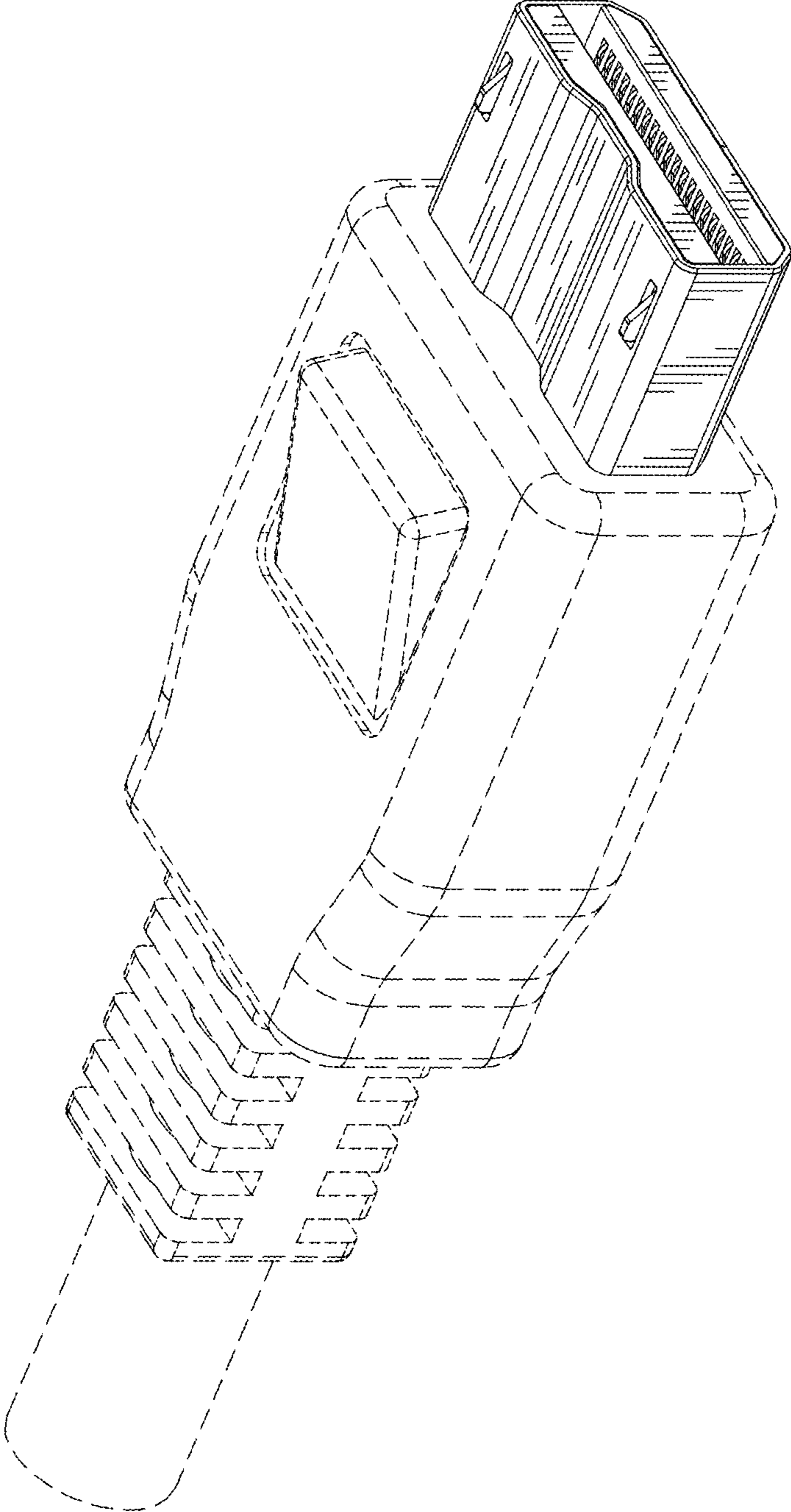


FIG. 1

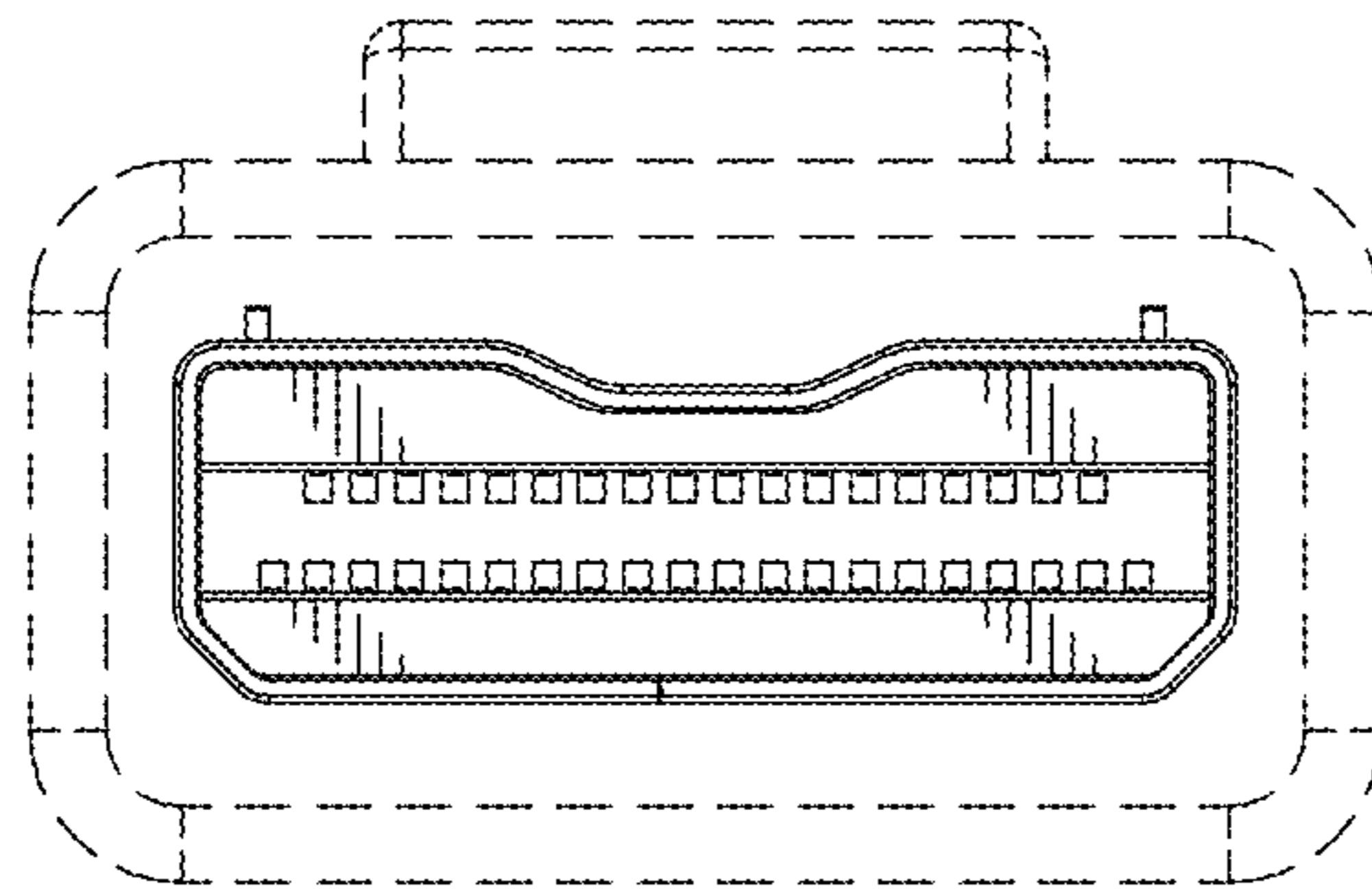


FIG. 2

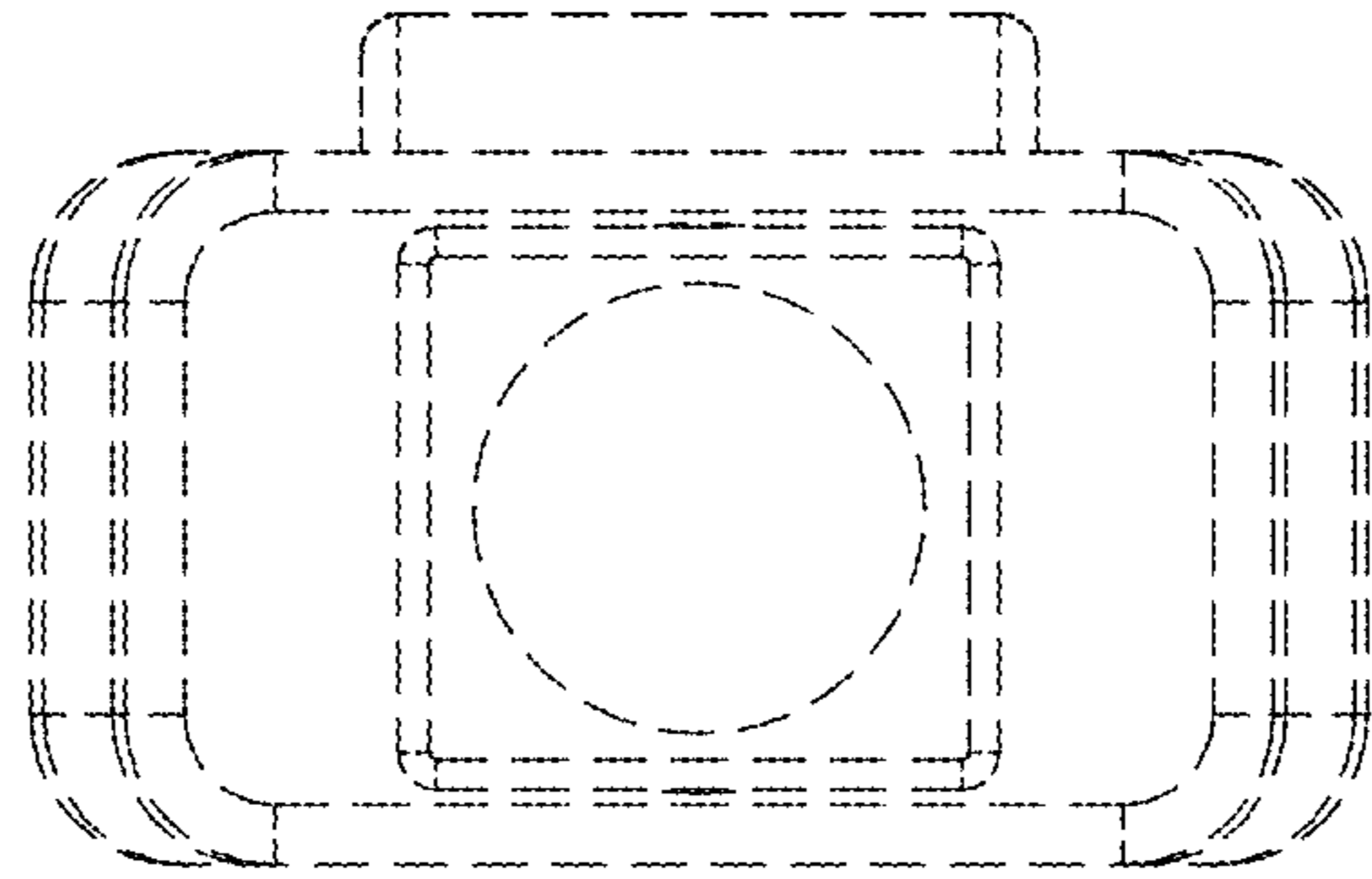


FIG. 3

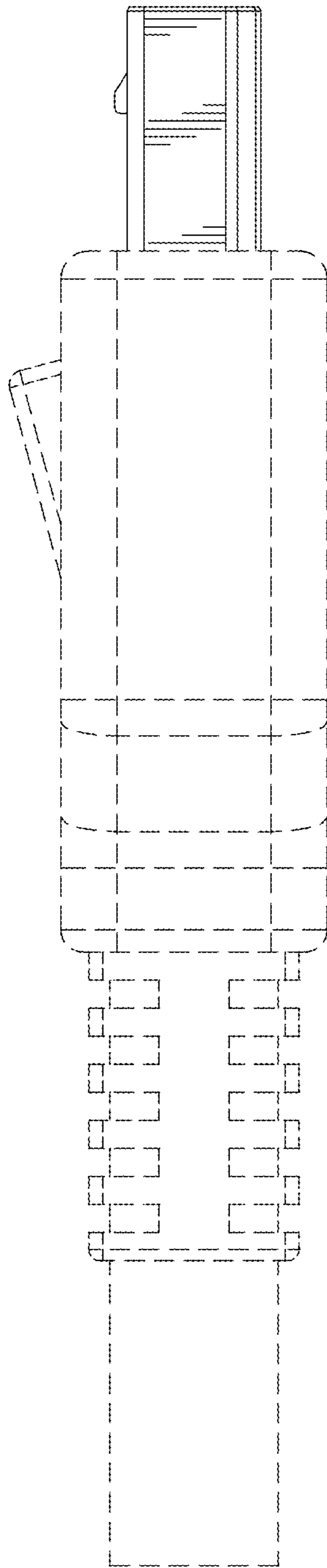


FIG. 4

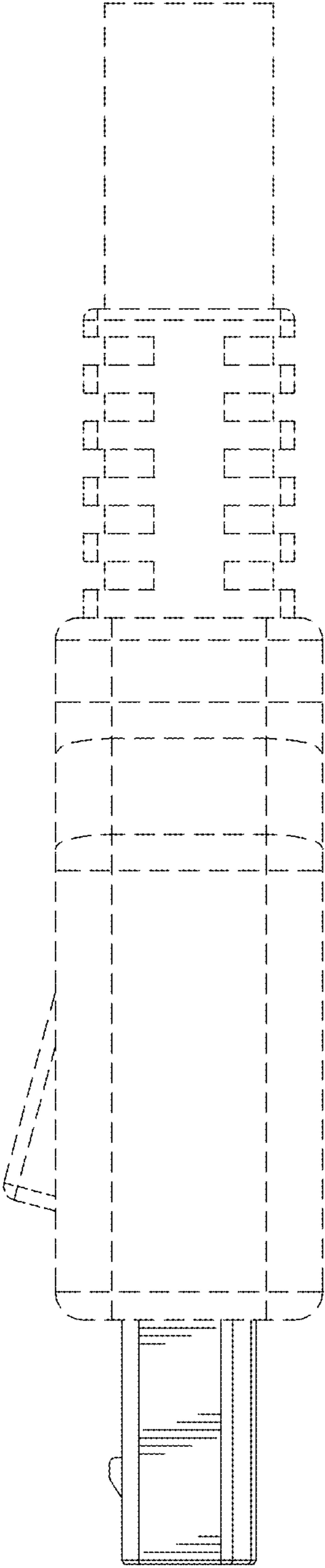


FIG. 5

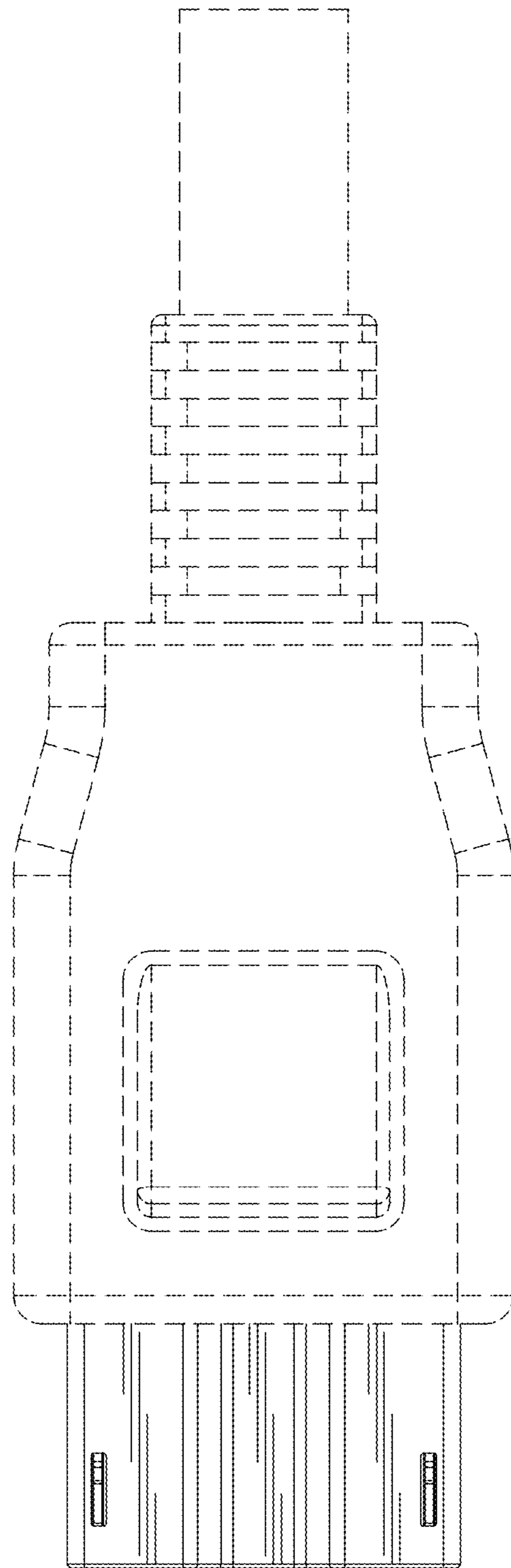


FIG. 6

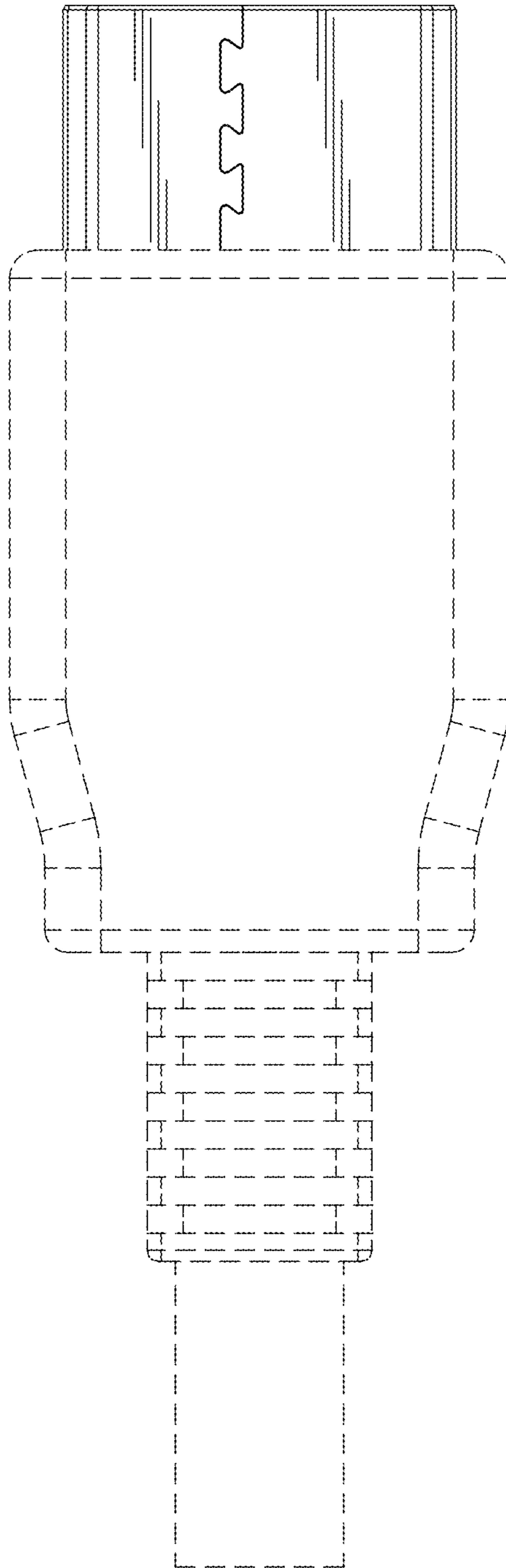


FIG. 7

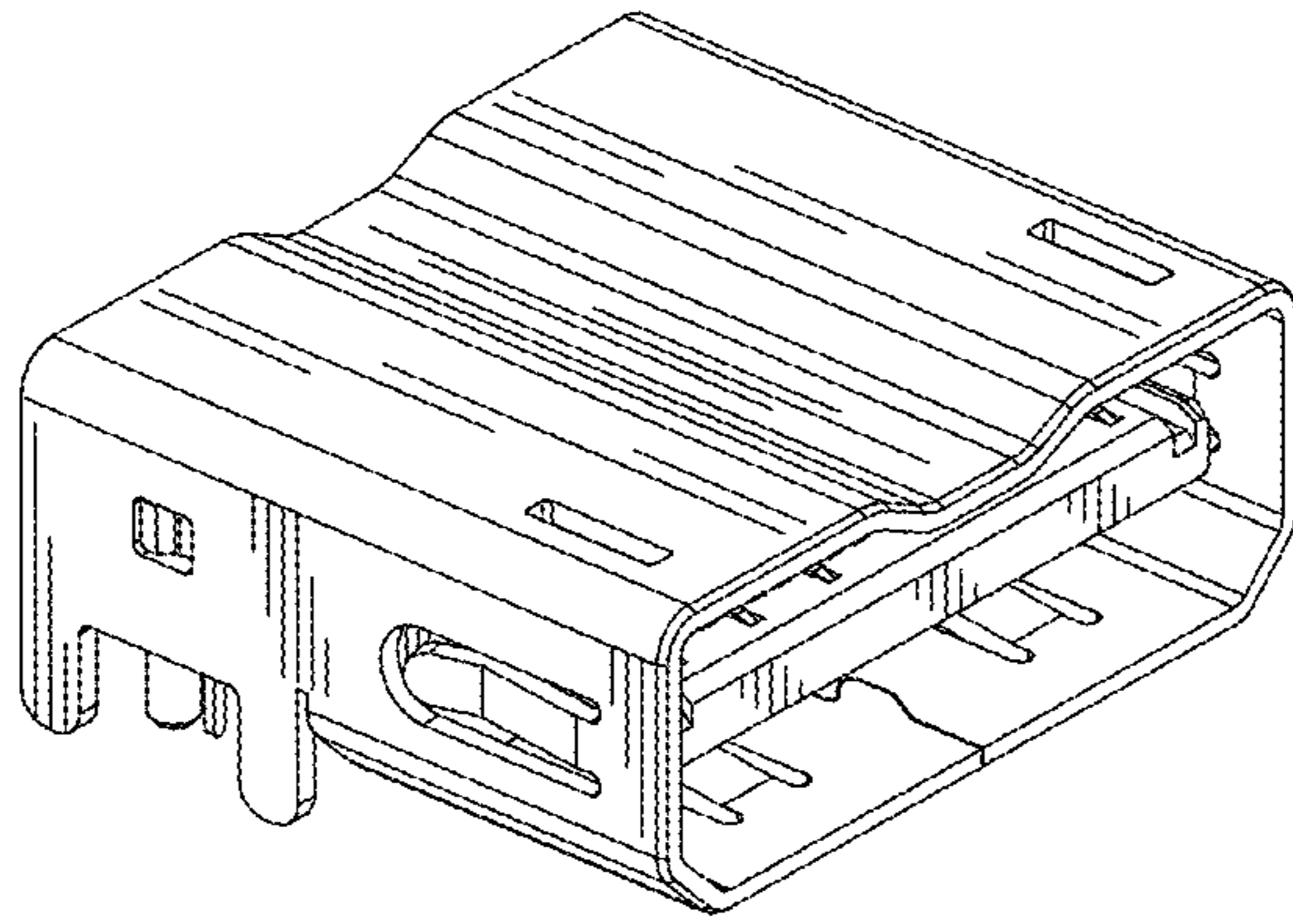


FIG. 8

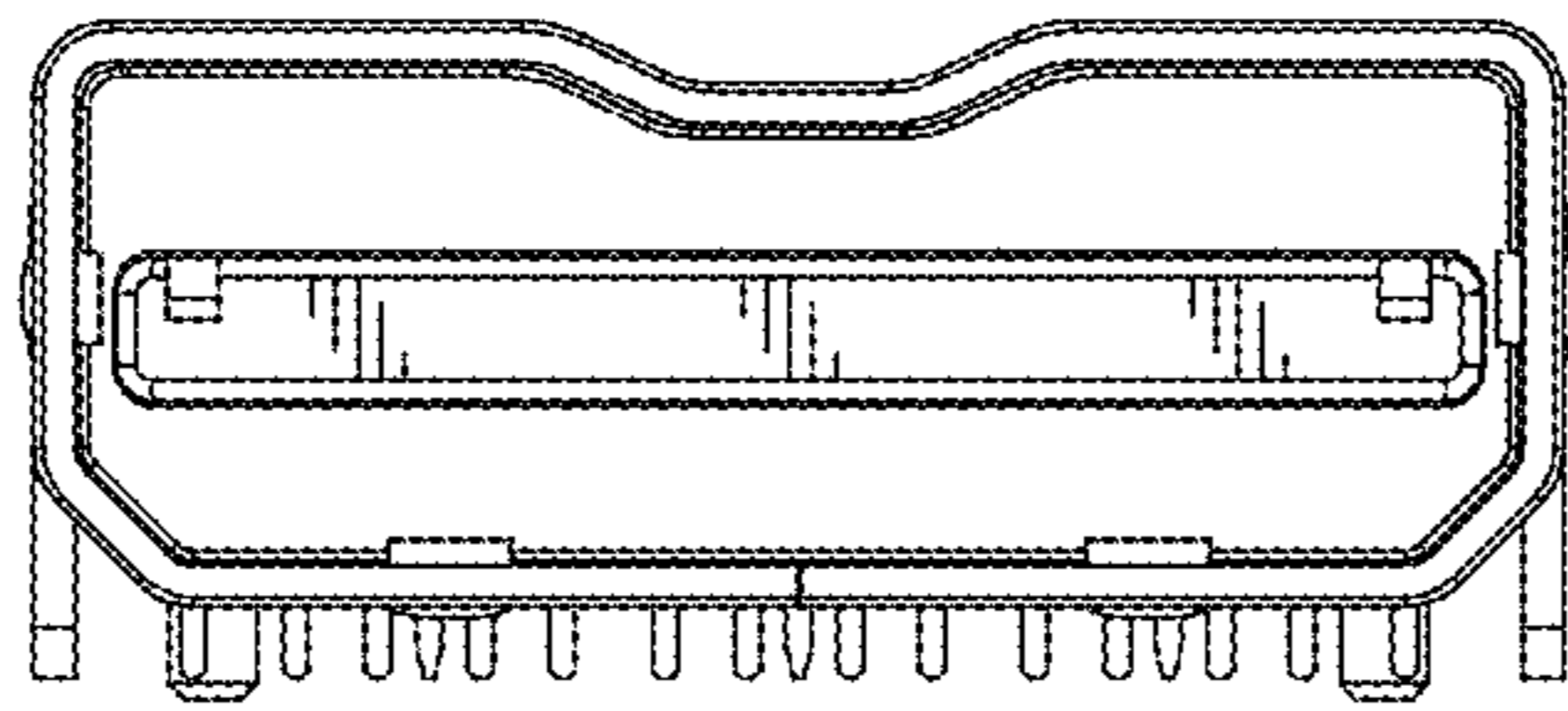


FIG. 9

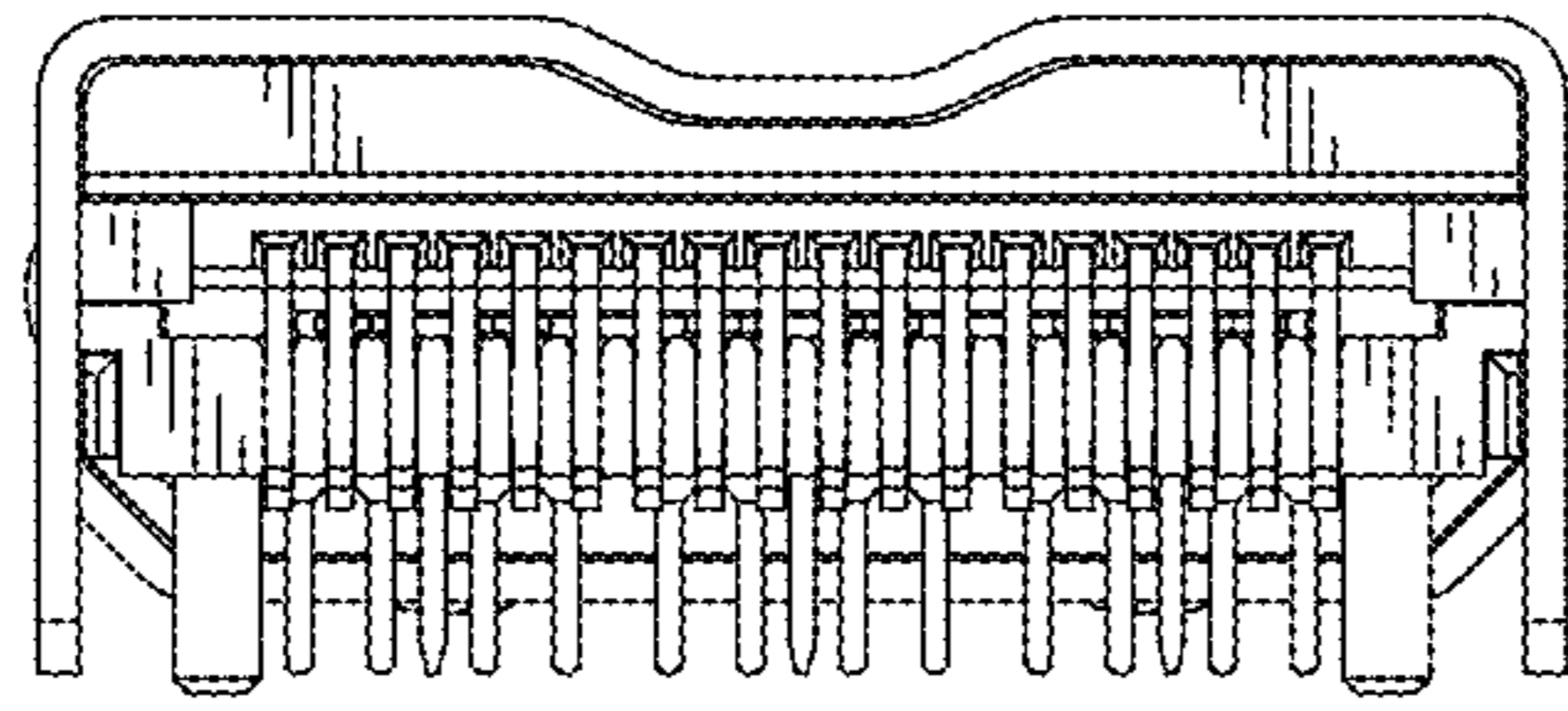


FIG. 10

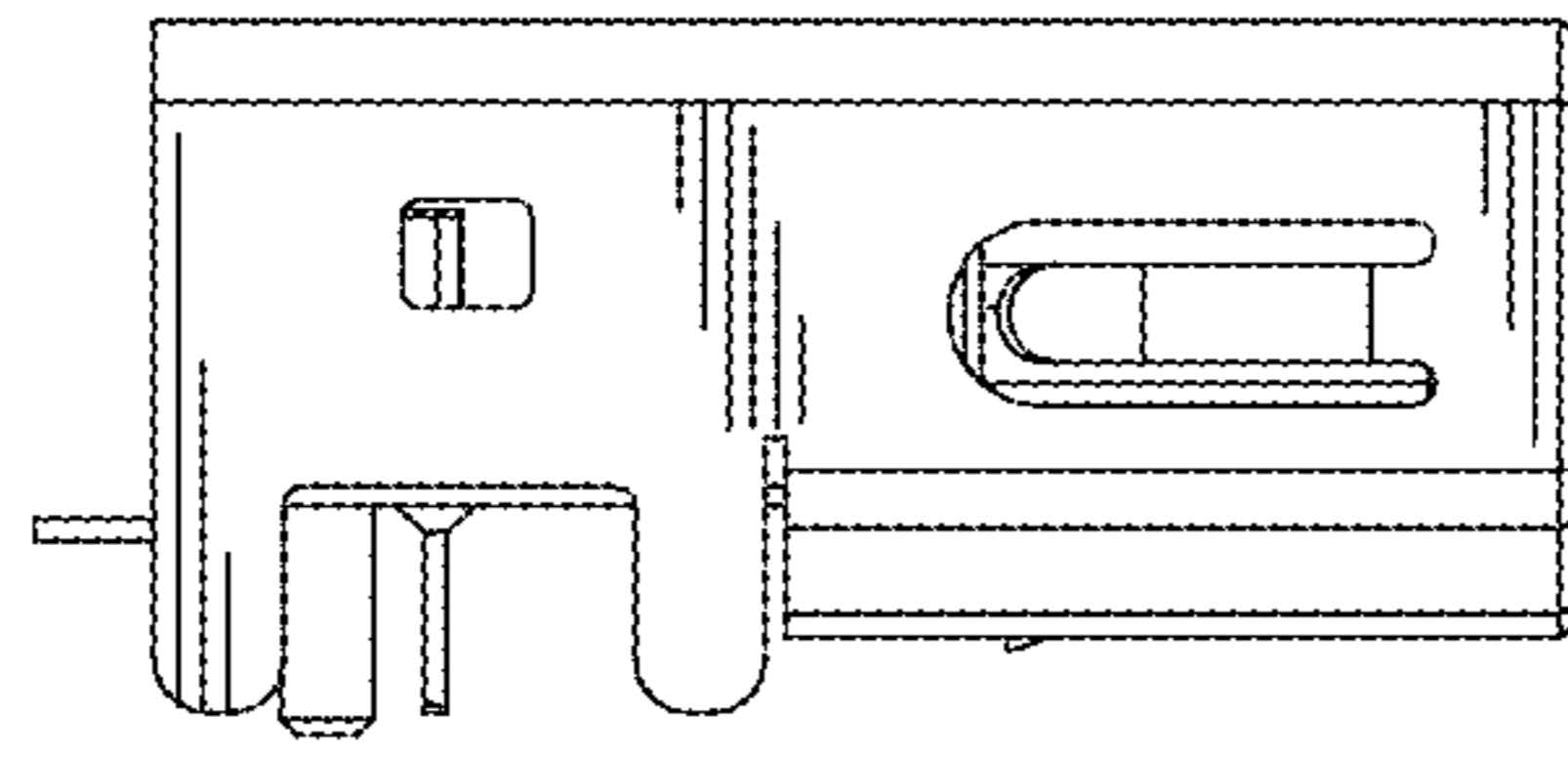


FIG. 11

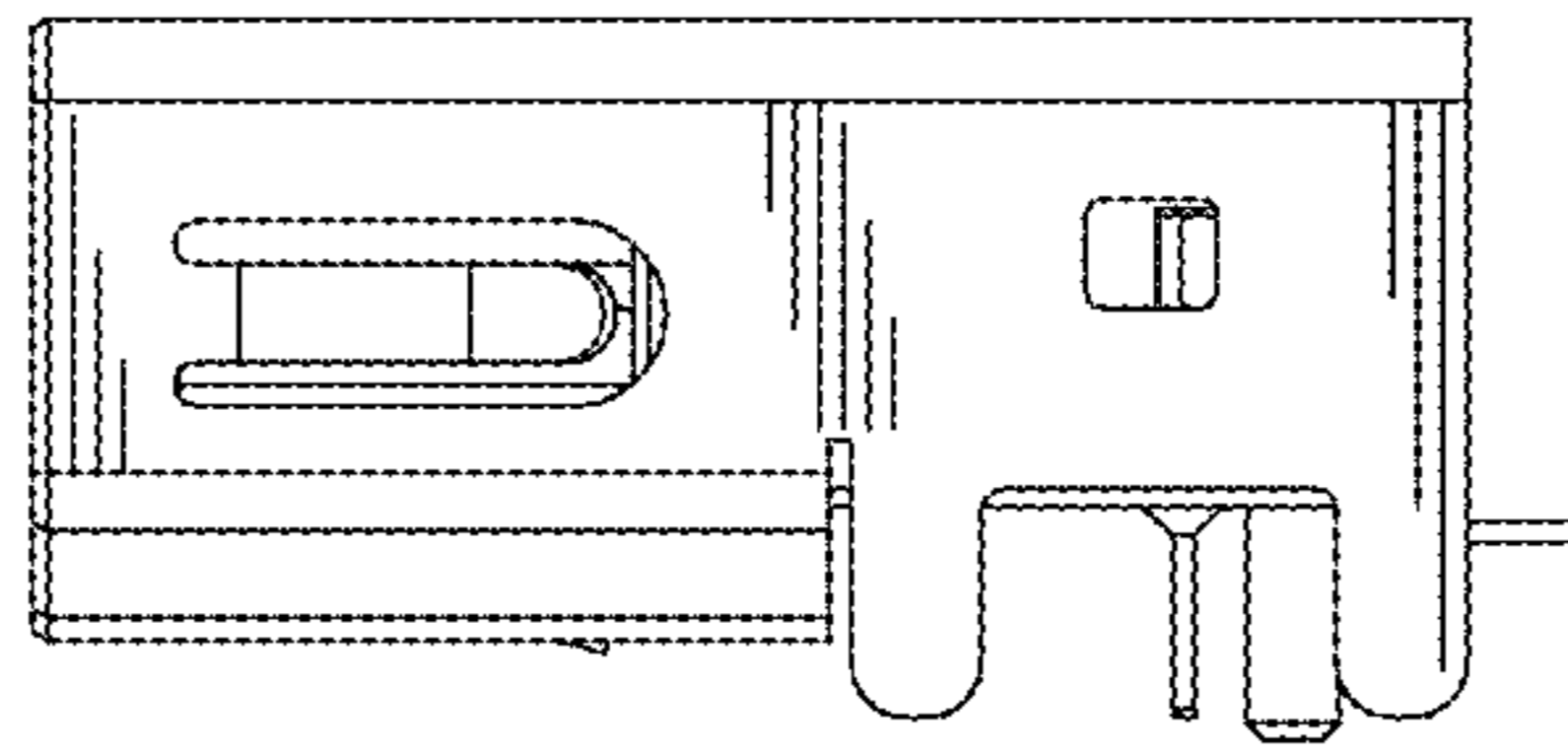


FIG. 12

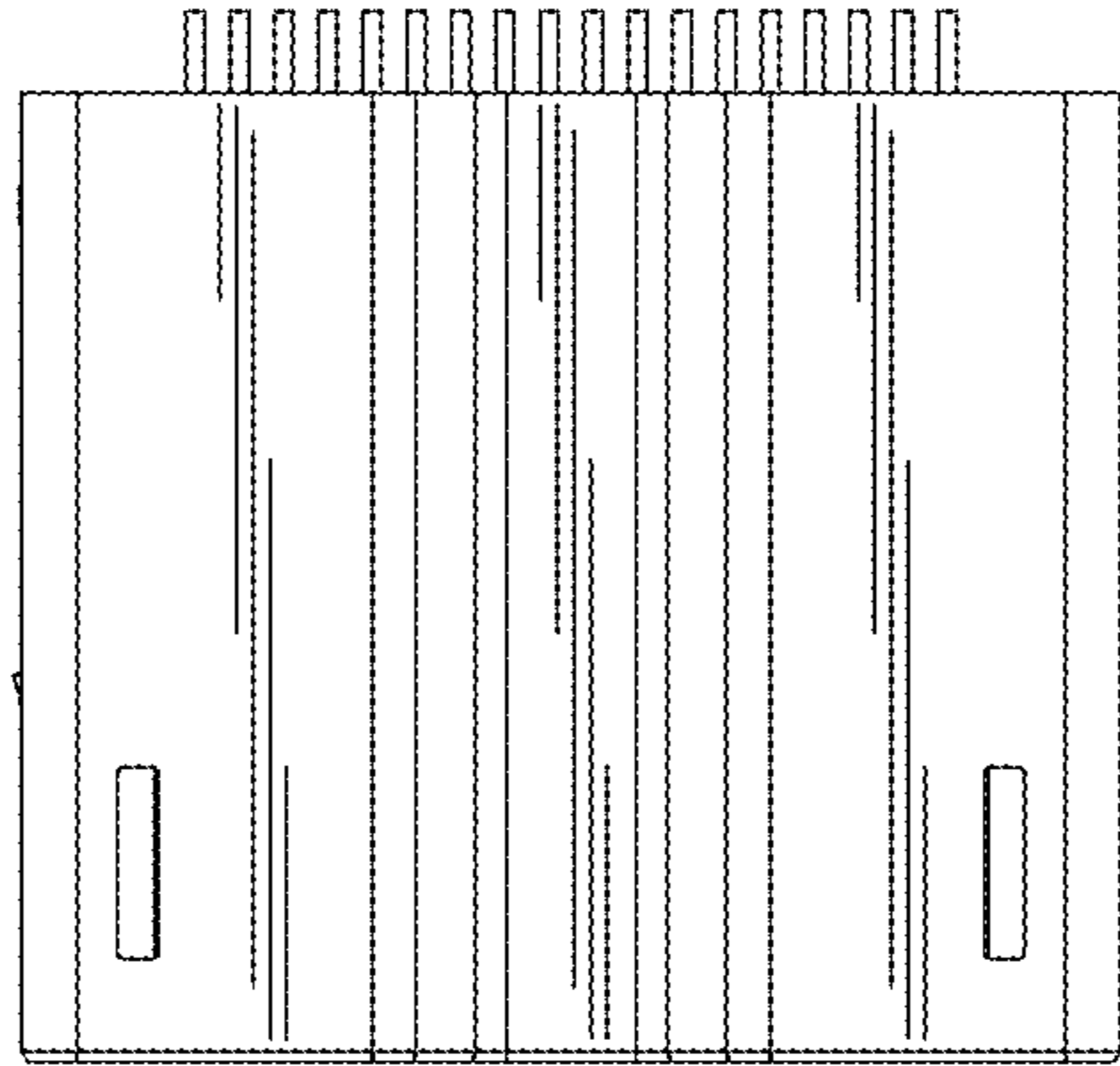


FIG. 13

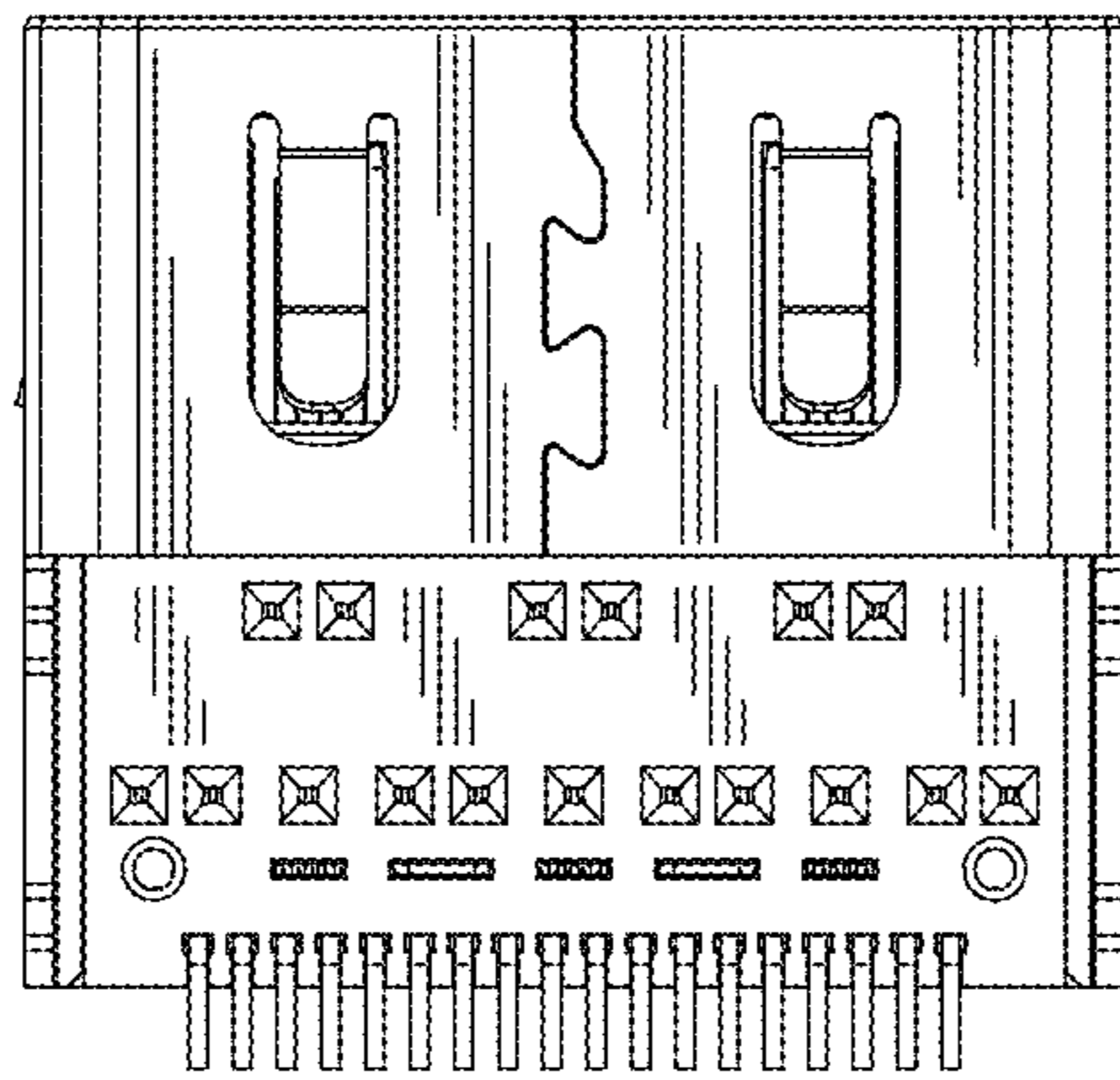


FIG. 14

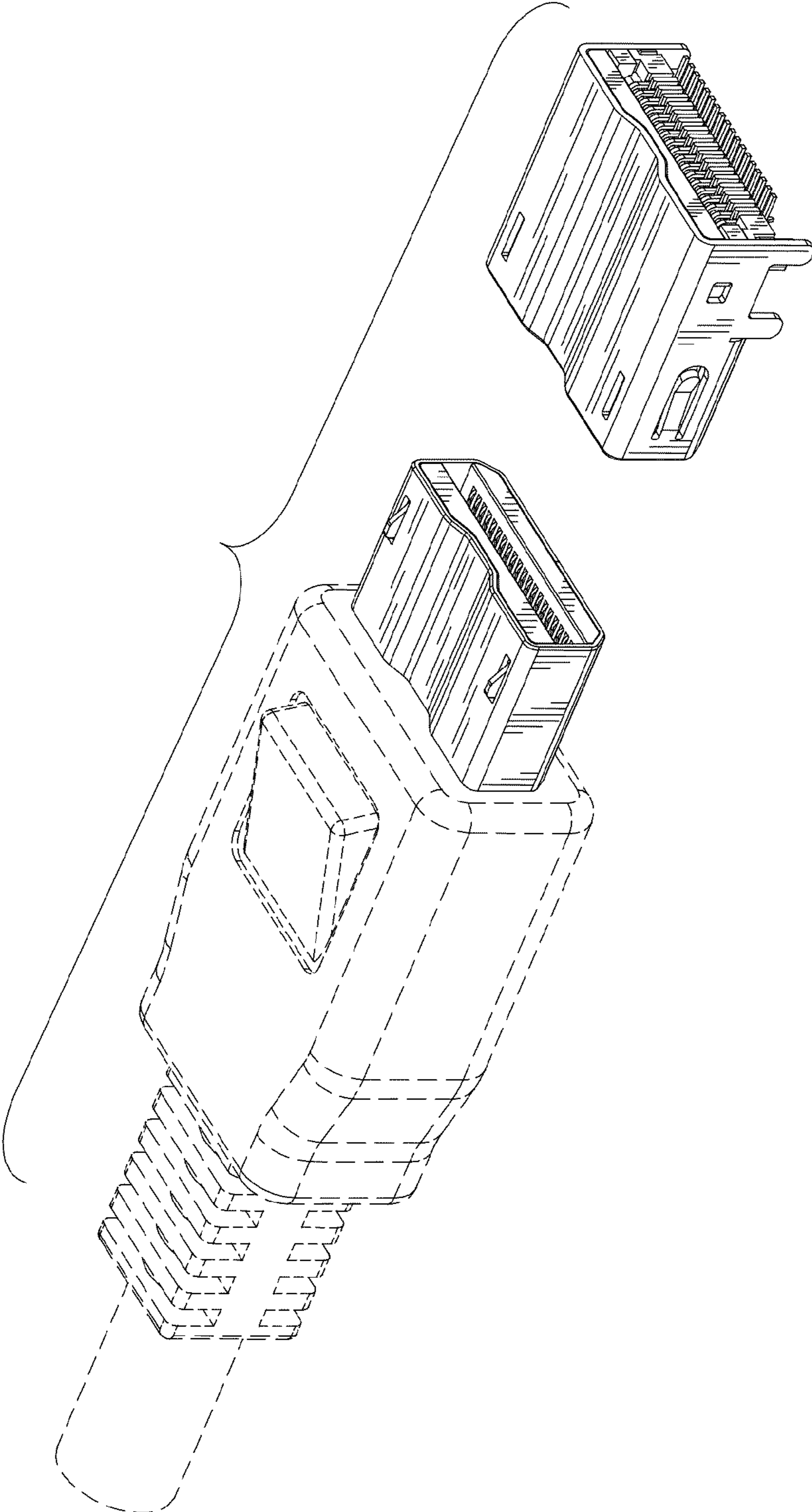


FIG. 15