



US00D704139S

(12) **United States Design Patent**  
**Yamamoto**

(10) **Patent No.:** **US D704,139 S**

(45) **Date of Patent:** **\*\* May 6, 2014**

(54) **ELECTRICAL CONNECTOR**

(75) Inventor: **Ryo Yamamoto**, Tokyo (JP)

(73) Assignee: **Sony Corporation**, Tokyo (JP)

(\*\*) Term: **14 Years**

(21) Appl. No.: **29/421,643**

(22) Filed: **Aug. 27, 2012**

(51) **LOC (10) Cl.** ..... **13-03**

(52) **U.S. Cl.**  
USPC ..... **D13/147**

(58) **Field of Classification Search**  
USPC ..... D13/133, 146, 147, 153, 154, 156, 157,  
D13/184, 199; D14/432, 433, 435, 435.1,  
D14/438; 345/156; 361/58, 814; 439/38-40,  
439/66, 74, 77, 79, 129-130, 135, 146,  
439/149-150, 176-177, 180, 188, 217-218,  
439/225, 246, 252, 278-279, 290-291, 329,  
439/344-346, 350-353, 357-358, 374, 378,  
439/381, 476.1, 607.01, 607.04, 607.5,  
439/607.6, 607.17, 607.21, 607.23, 607.25,  
439/607.34, 607.41, 607.53, 623, 660, 668,  
439/677, 678, 680, 682, 874, 883, 887, 892,  
439/894

See application file for complete search history.

(56) **References Cited**

U.S. PATENT DOCUMENTS

D366,242 S *	1/1996	Goto	.....	D13/147
D381,629 S	7/1997	Goto		
D437,290 S *	2/2001	Goto	.....	D13/147
D449,275 S	10/2001	Goto		
D450,039 S	11/2001	Goto		
D585,835 S *	2/2009	Jaqua et al.	.....	D13/154
D588,545 S *	3/2009	Andre et al.	.....	D13/154
D610,095 S *	2/2010	Wu et al.	.....	D13/147
D683,703 S *	6/2013	Akana et al.	.....	D13/147

\* cited by examiner

*Primary Examiner* — Daniel Bui

(74) *Attorney, Agent, or Firm* — Rader, Fishman & Grauer PLLC

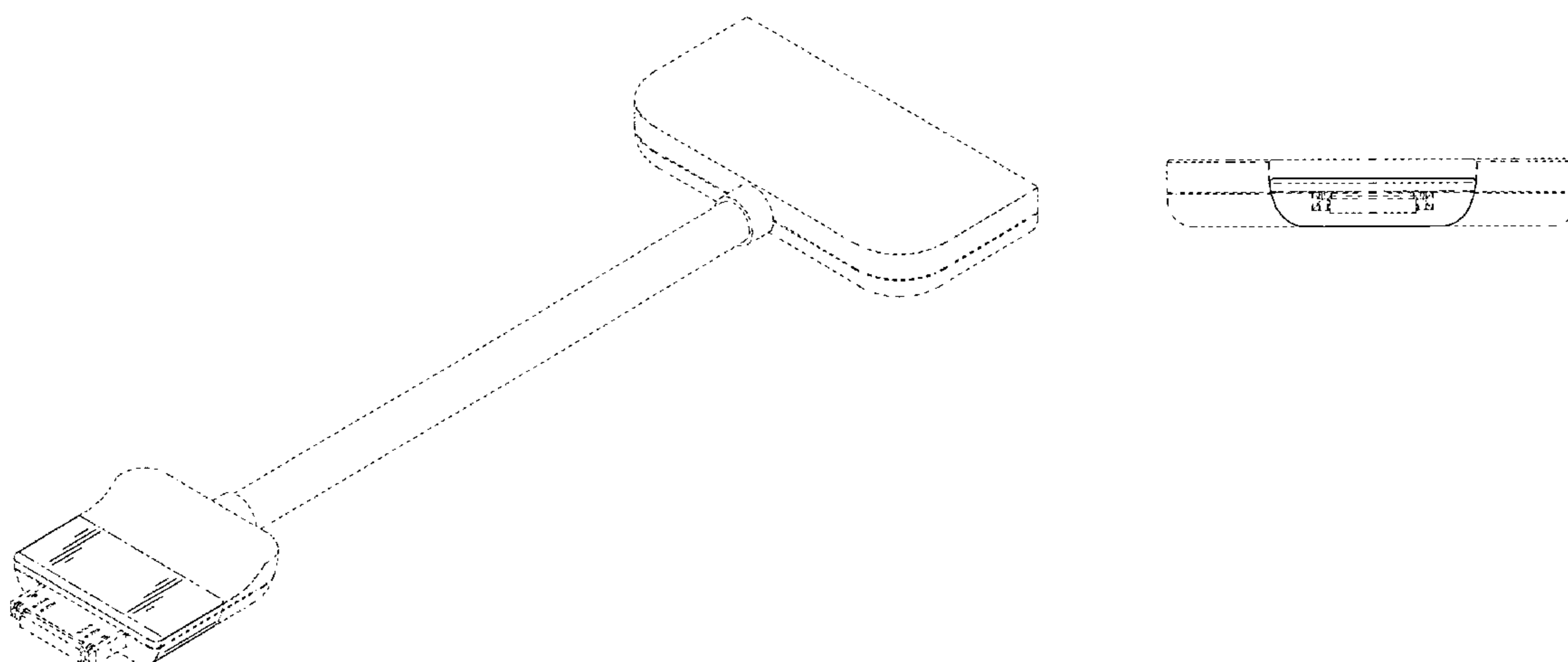
(57) **CLAIM**

The ornamental design for an electrical connector, as shown and described.

**DESCRIPTION**

FIG. 1 is a front, top and right side perspective view of an electrical connector showing my new design; FIG. 2 is a front elevation view thereof; FIG. 3 is a left side elevation view thereof; FIG. 4 is a right side elevation view thereof; FIG. 5 is a top plan view thereof; and, FIG. 6 is a bottom plan view thereof. In the figure drawing views, the even-broken line is included for the purpose of illustrating environment, and the dash-dot-dot broken line represents the boundary of the claim design. The even-broken line and the dash-dot-dot broken line form no part of the claimed design.

**1 Claim, 3 Drawing Sheets**



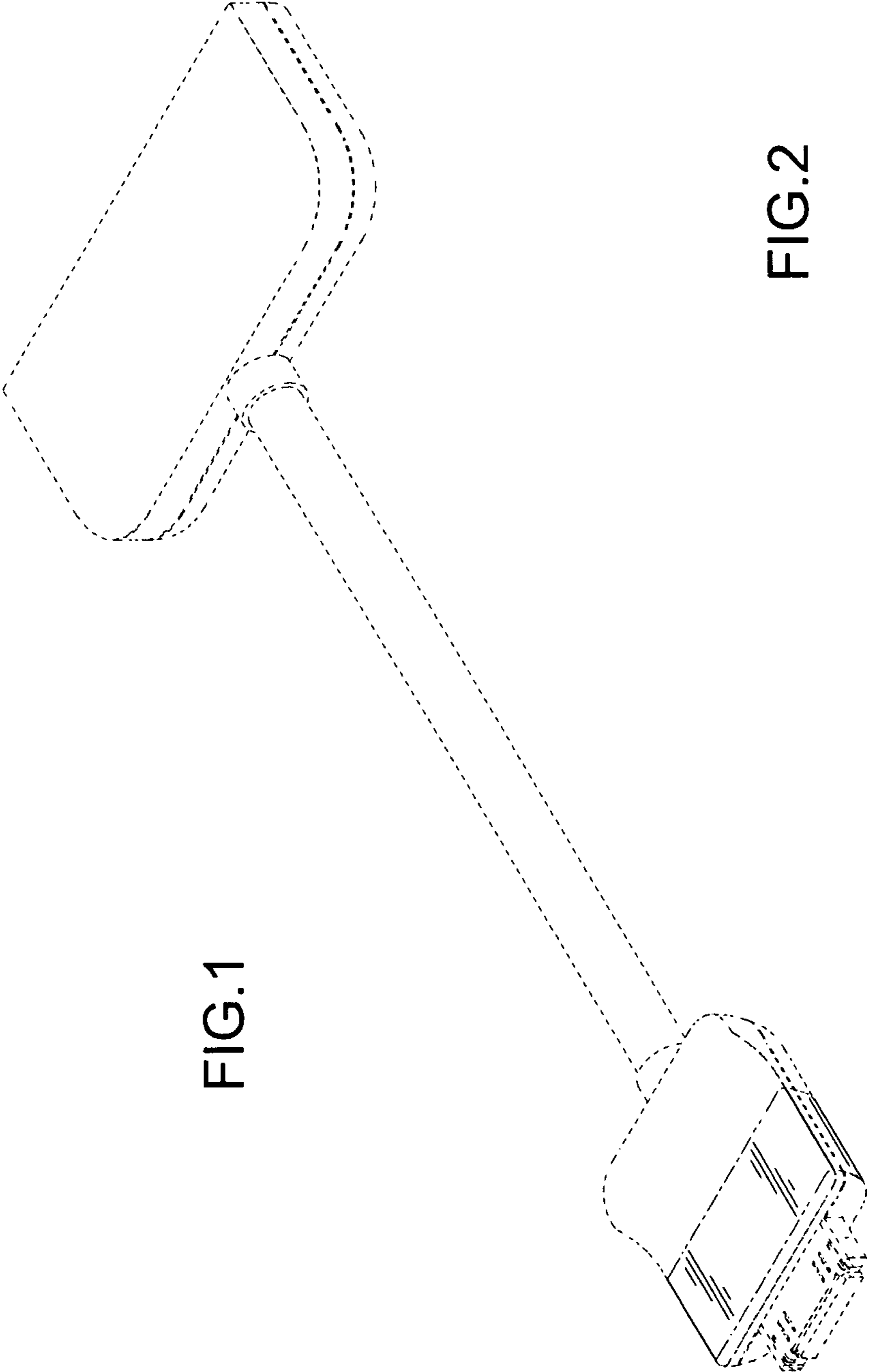


FIG. 2

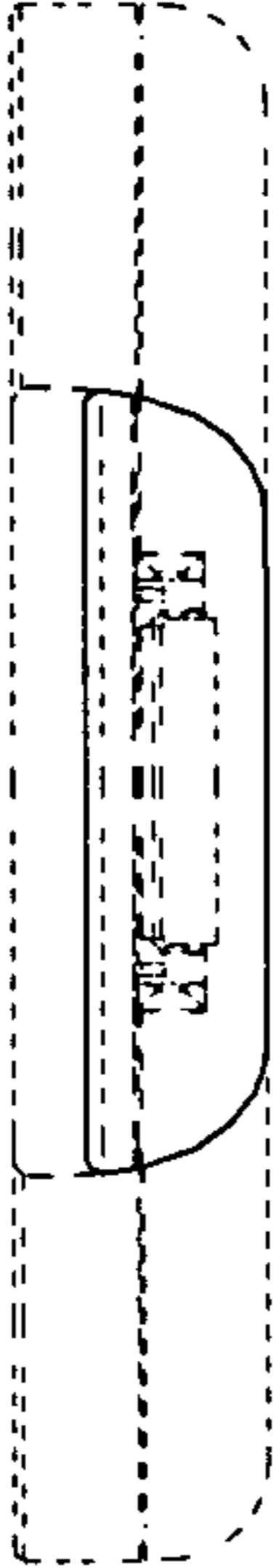


FIG.3

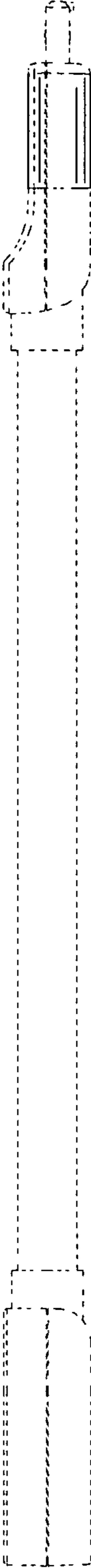


FIG.4

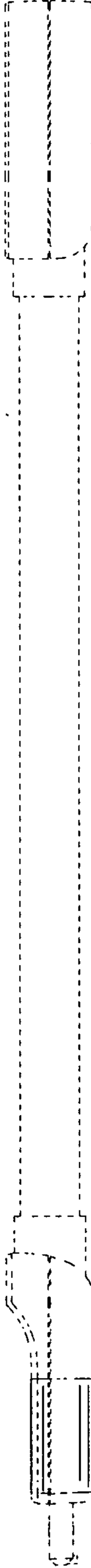


FIG.5

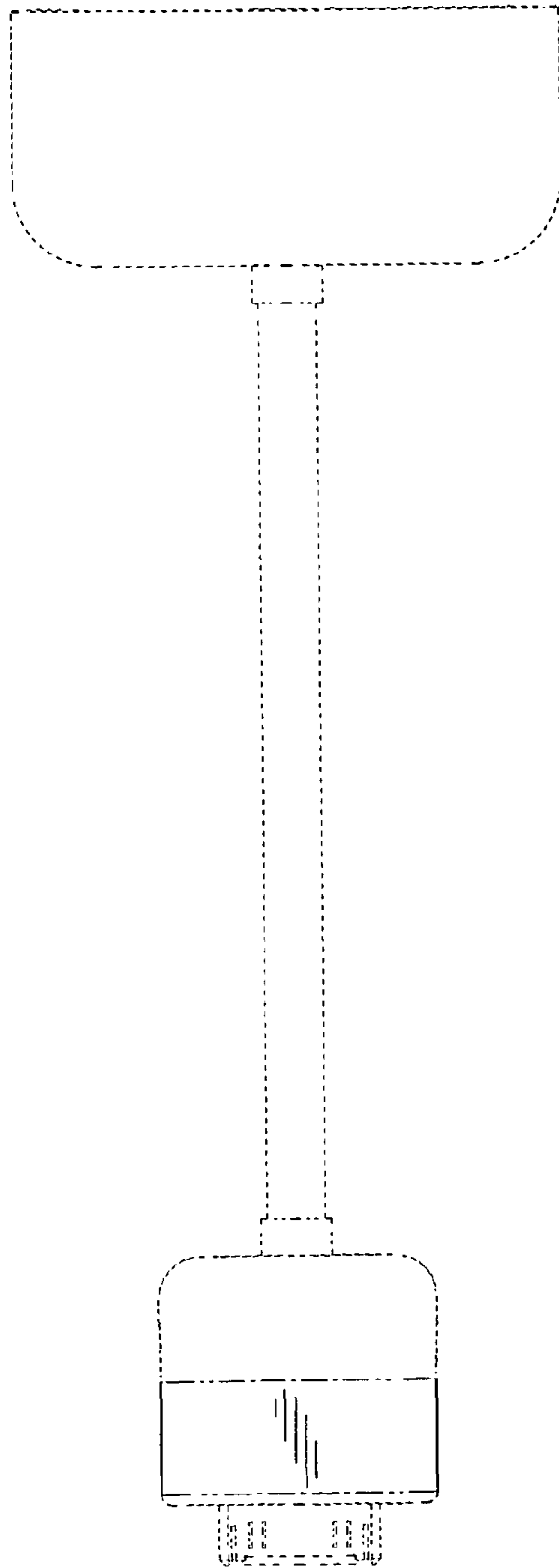


FIG.6

