



US00D704136S

(12) **United States Design Patent**  
**Rubio**

(10) **Patent No.:** **US D704,136 S**

(45) **Date of Patent:** **\*\* May 6, 2014**

(54) **WIND TURBINE**

(71) Applicant: **Humberto Antonio Rubio**, Ciudad Autonoma de Buenos Aires (AR)

(72) Inventor: **Humberto Antonio Rubio**, Ciudad Autonoma de Buenos Aires (AR)

(\*\*) Term: **14 Years**

(21) Appl. No.: **29/445,113**

(22) Filed: **Feb. 7, 2013**

(30) **Foreign Application Priority Data**

Aug. 7, 2012 (AR) ..... 84.351

(51) **LOC (10) Cl.** ..... **13-01**

(52) **U.S. Cl.**  
USPC ..... **D13/115**

(58) **Field of Classification Search**  
USPC ..... D13/115, 101, 199; D15/1, 199;  
290/54, 55; 415/4.2, 41, 907; 416/23,  
416/24, 31, 37, 38, 51, 132 B, 132 R, 142,  
416/143, 151, 176, 183, 196 A, 197 A  
See application file for complete search history.

(56) **References Cited**

**U.S. PATENT DOCUMENTS**

D338,871 S \* 8/1993 Carfagno ..... D13/115  
D554,546 S \* 11/2007 Hart ..... D10/59

7,344,353 B2 \* 3/2008 Naskali et al. .... 415/4.2  
D587,196 S \* 2/2009 Chong ..... D13/115  
D598,376 S \* 8/2009 Cheung et al. .... D13/115  
D625,261 S \* 10/2010 Winkler et al. .... D13/115  
D641,699 S \* 7/2011 Sayama et al. .... D13/115  
8,232,664 B2 \* 7/2012 Stroup et al. .... 290/55  
2006/0188364 A1 \* 8/2006 Fritz ..... 415/4.2  
2008/0131281 A1 \* 6/2008 Kariya ..... 416/183  
2010/0045039 A1 \* 2/2010 Stroup et al. .... 290/44  
2011/0280707 A1 \* 11/2011 Iskrenovic ..... 415/4.2

\* cited by examiner

*Primary Examiner* — Derrick Holland

(74) *Attorney, Agent, or Firm* — Young & Thompson

(57) **CLAIM**

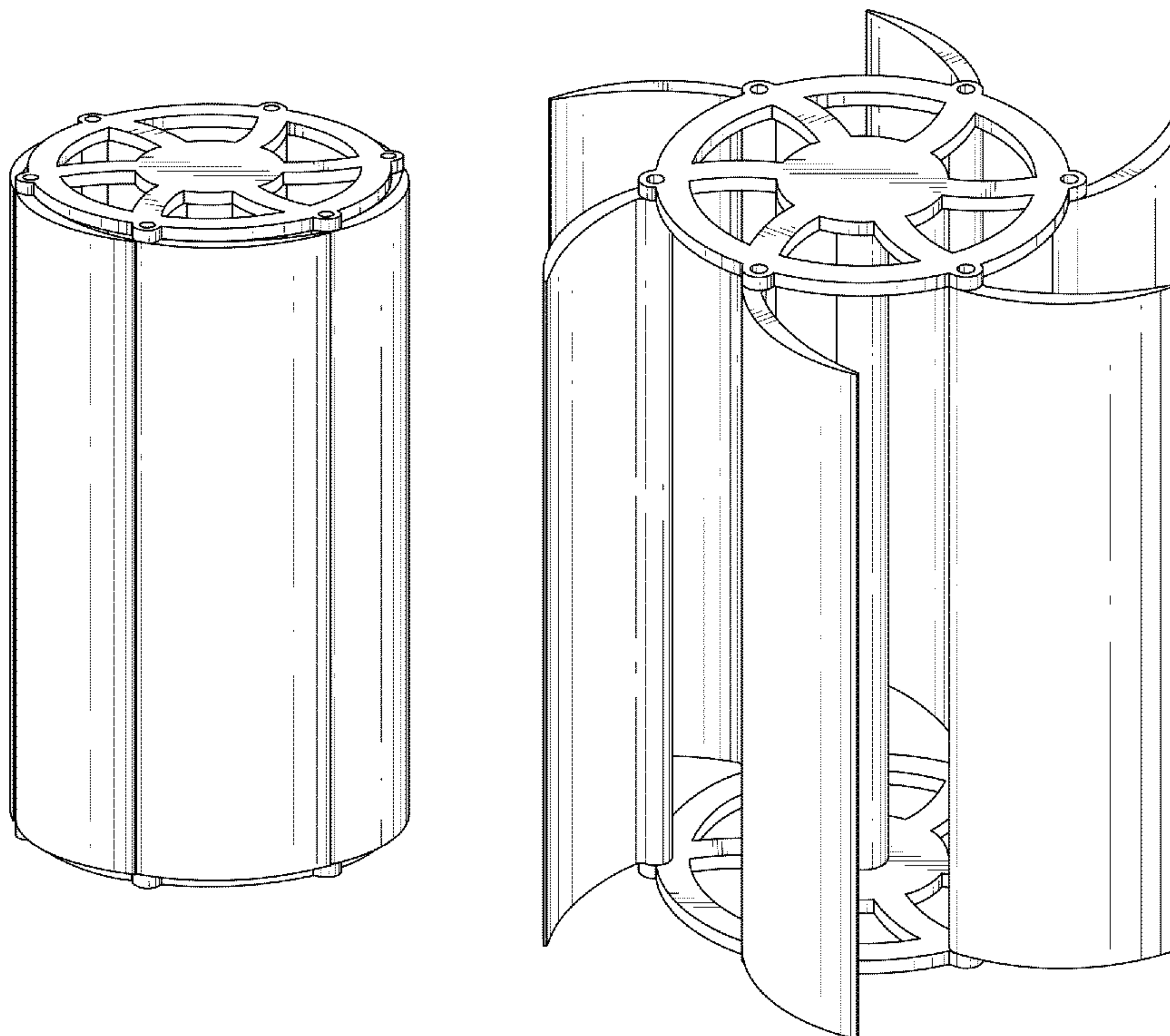
The ornamental design for a wind turbine, as shown and described.

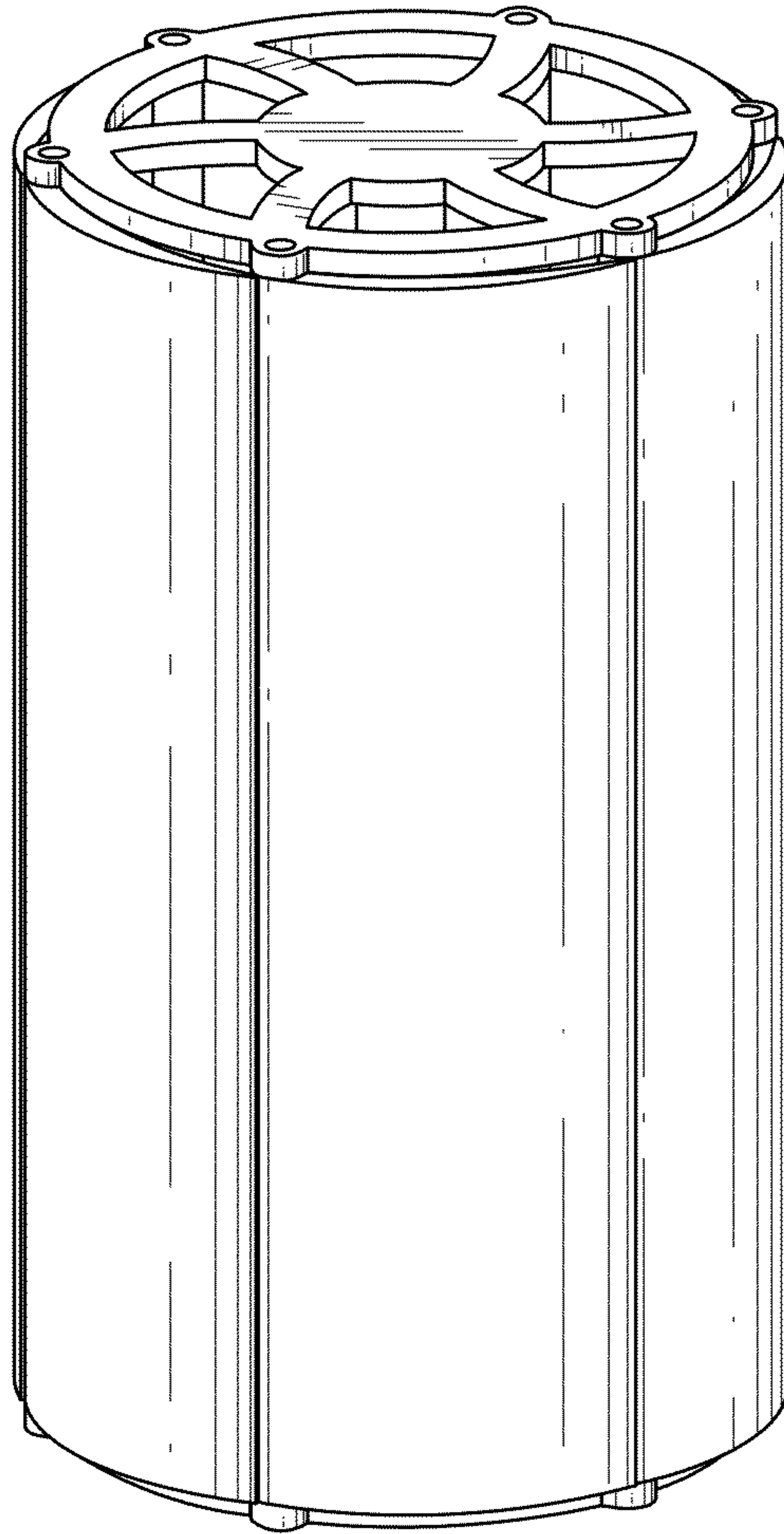
**DESCRIPTION**

FIG. 1 is a top perspective view of a wind turbine showing the new design;  
FIG. 2 is a front elevation view thereof;  
FIG. 3 is a top plan view thereof; and,  
FIG. 4 is a top perspective view thereof in an alternate, open configuration.

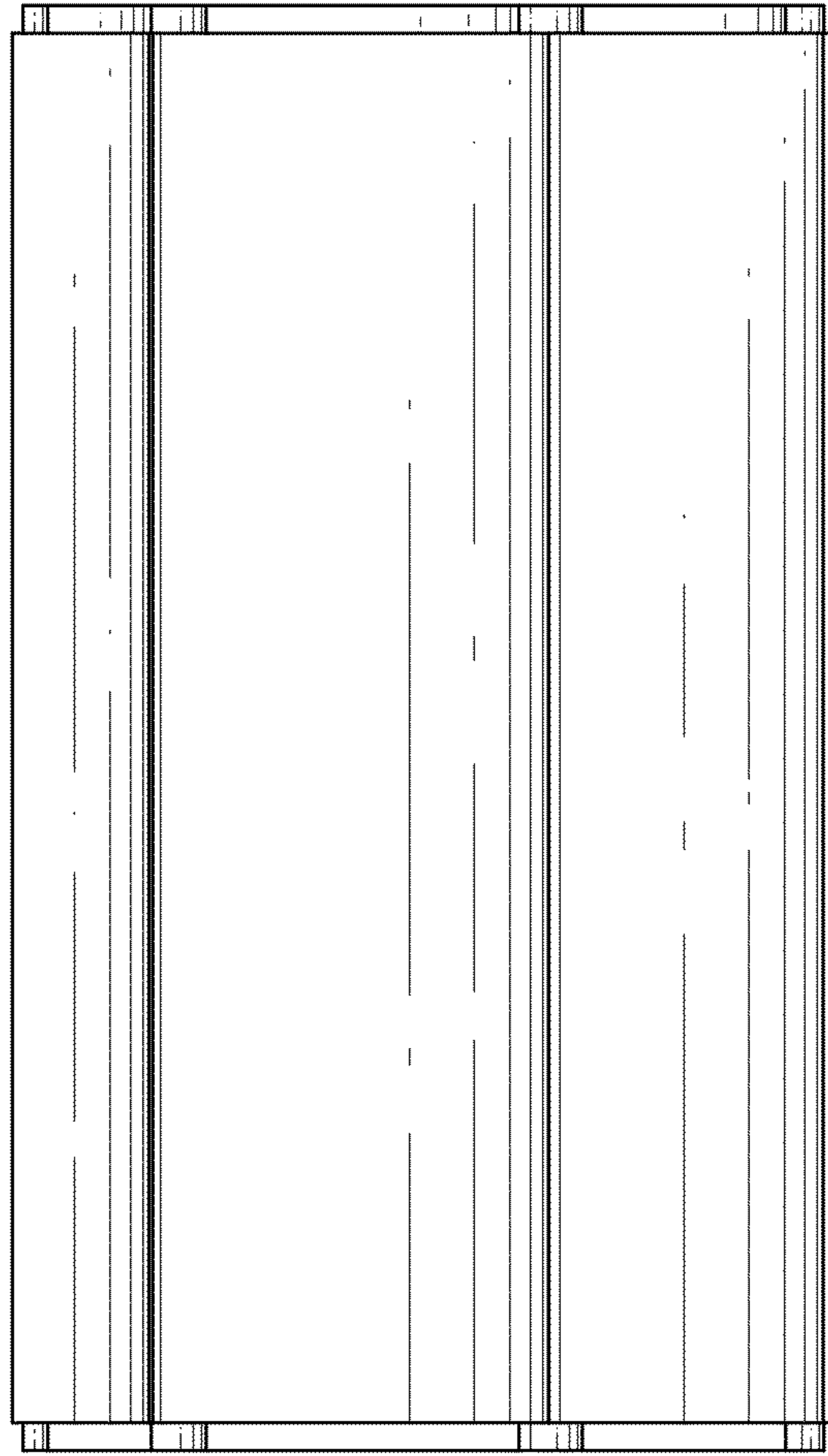
The claimed design of the wind turbine is symmetrical. The left side, right side, and rear view are the same as shown in FIG. 2, and the bottom plan view is the same as shown in FIG. 3.

**1 Claim, 4 Drawing Sheets**

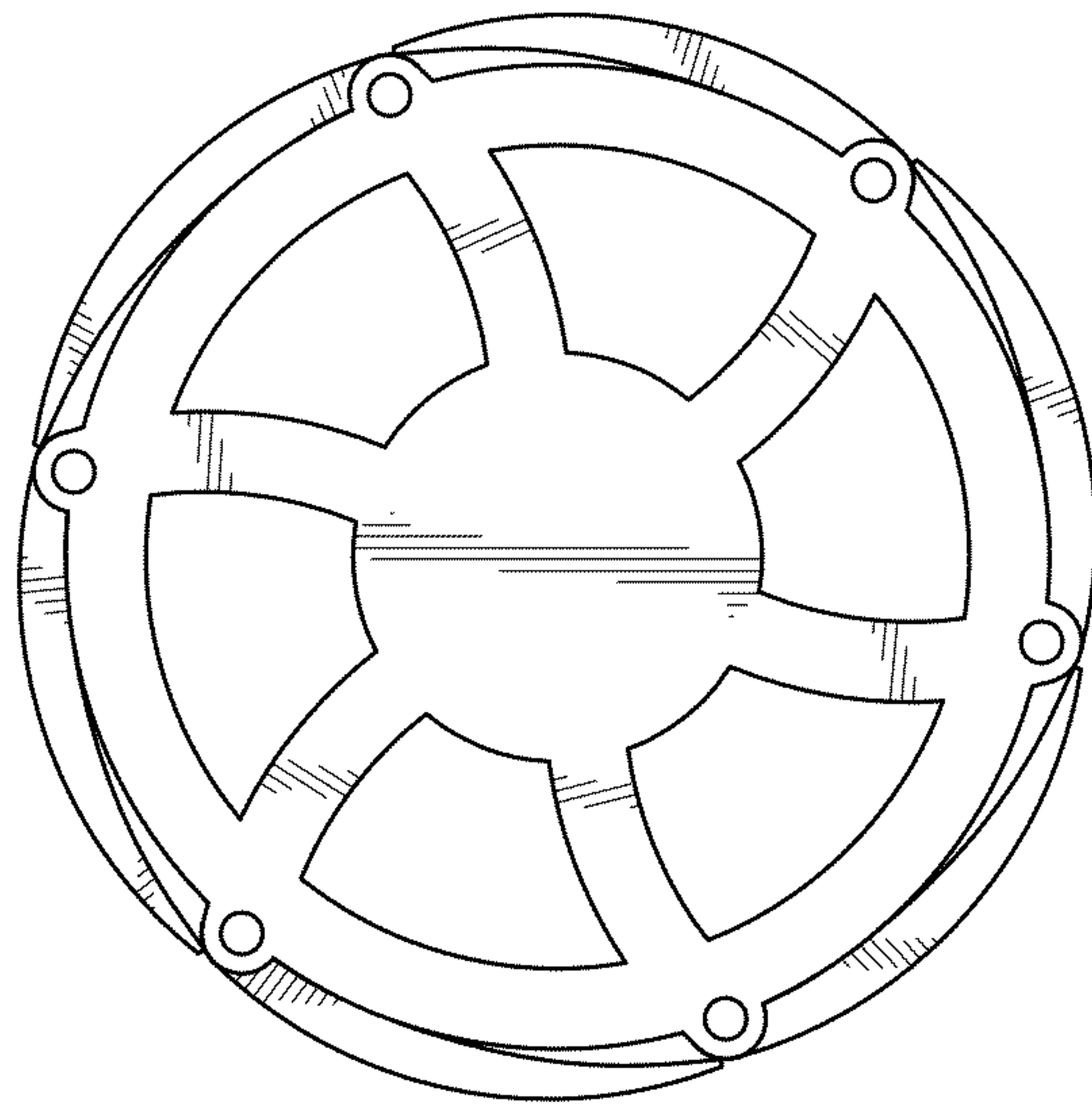




*FIG. 1*



*FIG. 2*



*FIG. 3*



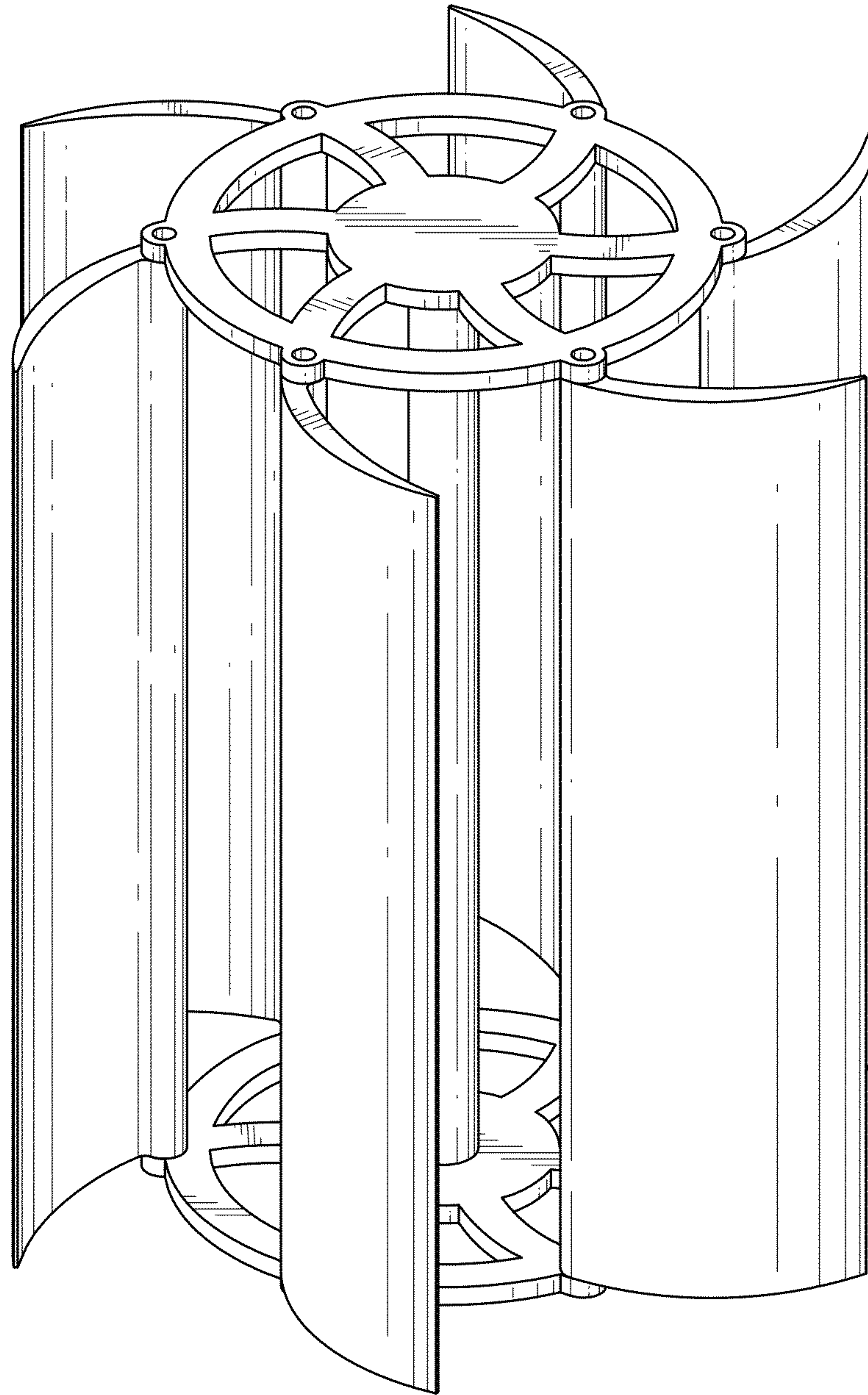


FIG. 4