



US00D704134S

(12) **United States Design Patent**  
**Cullen et al.**

(10) **Patent No.:** **US D704,134 S**

(45) **Date of Patent:** **\*\* May 6, 2014**

(54) **BATTERY HOUSING FOR PORTABLE DEVICE**

(75) Inventors: **Benjamin James Cullen**, London (GB);  
**Alan Mangaroo**, Oakville (CA);  
**Edward Anthony Hackett**, Surbiton (GB);  
**Herb Turzer**, Mississauga (CA)

(73) Assignee: **Psion, Inc.**, Mississauga, Ontario (CA)

(\*\*) Term: **14 Years**

(21) Appl. No.: **29/392,014**

(22) Filed: **May 16, 2011**

(51) **LOC (10) Cl.** ..... **13-02**

(52) **U.S. Cl.**  
USPC ..... **D13/103**

(58) **Field of Classification Search**  
USPC ..... D13/103-106, 118-119, 184, 199;  
429/96-100, 149, 159, 163, 176, 177,  
429/186

See application file for complete search history.

(56) **References Cited**

**U.S. PATENT DOCUMENTS**

D349,093	S	*	7/1994	Alexandres et al.	.....	D13/103
D350,110	S	*	8/1994	Johnson	.....	D13/103
D375,933	S	*	11/1996	Kao	.....	D13/103
D392,939	S	*	3/1998	Finke-Anlauff	.....	D13/103
D401,550	S	*	11/1998	Chambers et al.	.....	D13/103
D401,554	S	*	11/1998	Nagele et al.	.....	D13/119

D403,658	S	*	1/1999	Nuovo et al.	.....	D13/103
D413,857	S	*	9/1999	Peterzell et al.	.....	D13/103
5,973,477	A	*	10/1999	Chang	.....	320/114
D603,790	S	*	11/2009	Andren et al.	.....	D13/103
D621,393	S	*	8/2010	Panahi et al.	.....	D14/250
D637,153	S	*	5/2011	Ikeda et al.	.....	D13/103
D639,729	S	*	6/2011	Cullen et al.	.....	D13/103
D640,974	S	*	7/2011	Kendall et al.	.....	D13/103
D642,977	S	*	8/2011	Kendall et al.	.....	D13/103

**OTHER PUBLICATIONS**

Office Action for counterpart Canadian Application No. 140640 mailed on Jun. 6, 2011.

\* cited by examiner

*Primary Examiner* — Rosemary K Tarcza

(74) *Attorney, Agent, or Firm* — Barbara R. Doutre

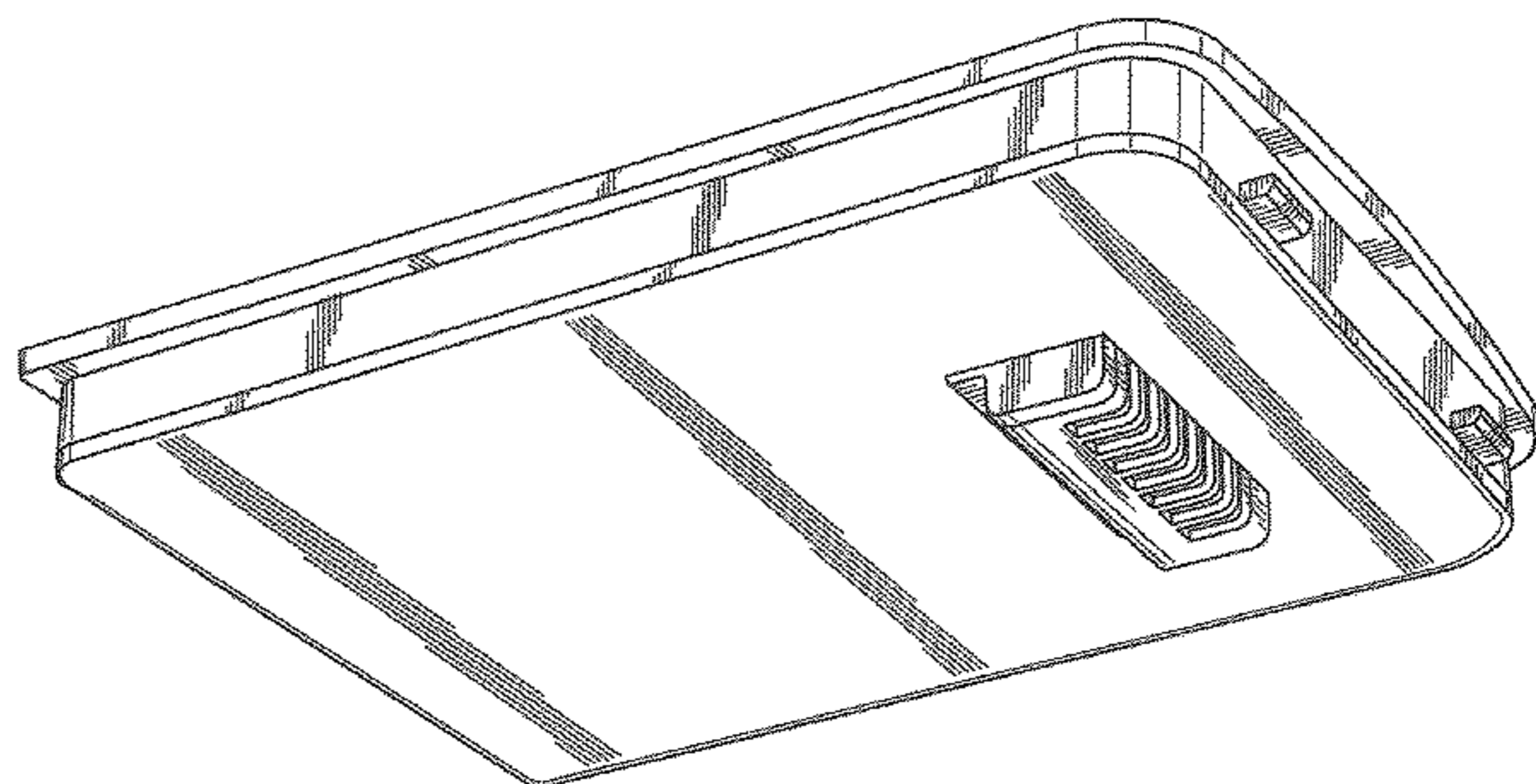
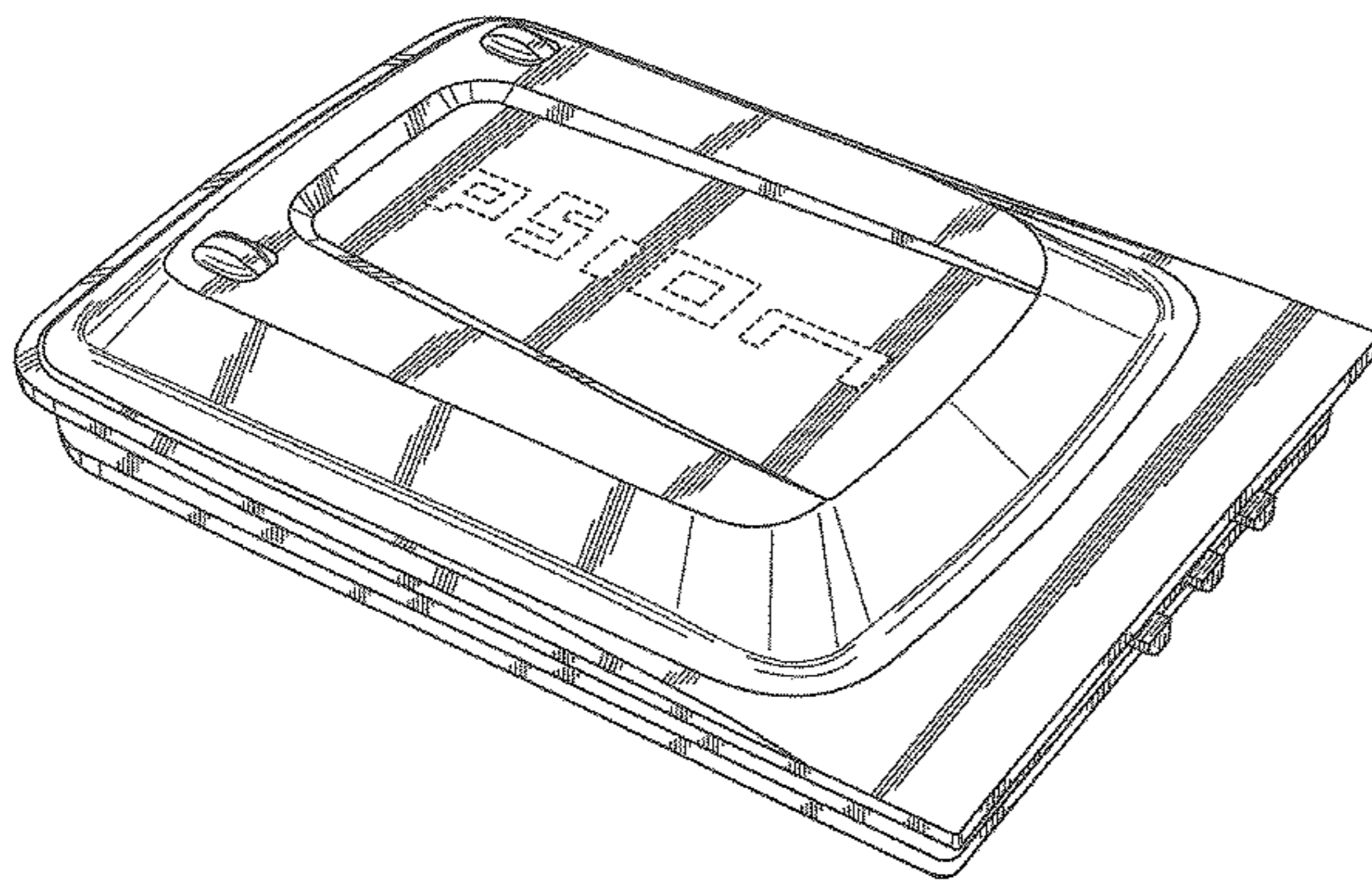
(57) **CLAIM**

The ornamental design for a battery housing for a portable device, as shown and described.

**DESCRIPTION**

FIG. 1 is a front perspective view of the design; FIG. 2 is a rear perspective view of the design; FIG. 3 is a front elevation view of the design; FIG. 4 is a left side elevation view of the design; FIG. 5 is a right side elevation view of the design; FIG. 6 is a bottom elevation view of the design; FIG. 7 is a top elevation view of the design; and, FIG. 8 is a rear elevation view of the design. The broken lines shown in the Figures are for illustrative purposes only and form no part of the claimed design.

**1 Claim, 6 Drawing Sheets**



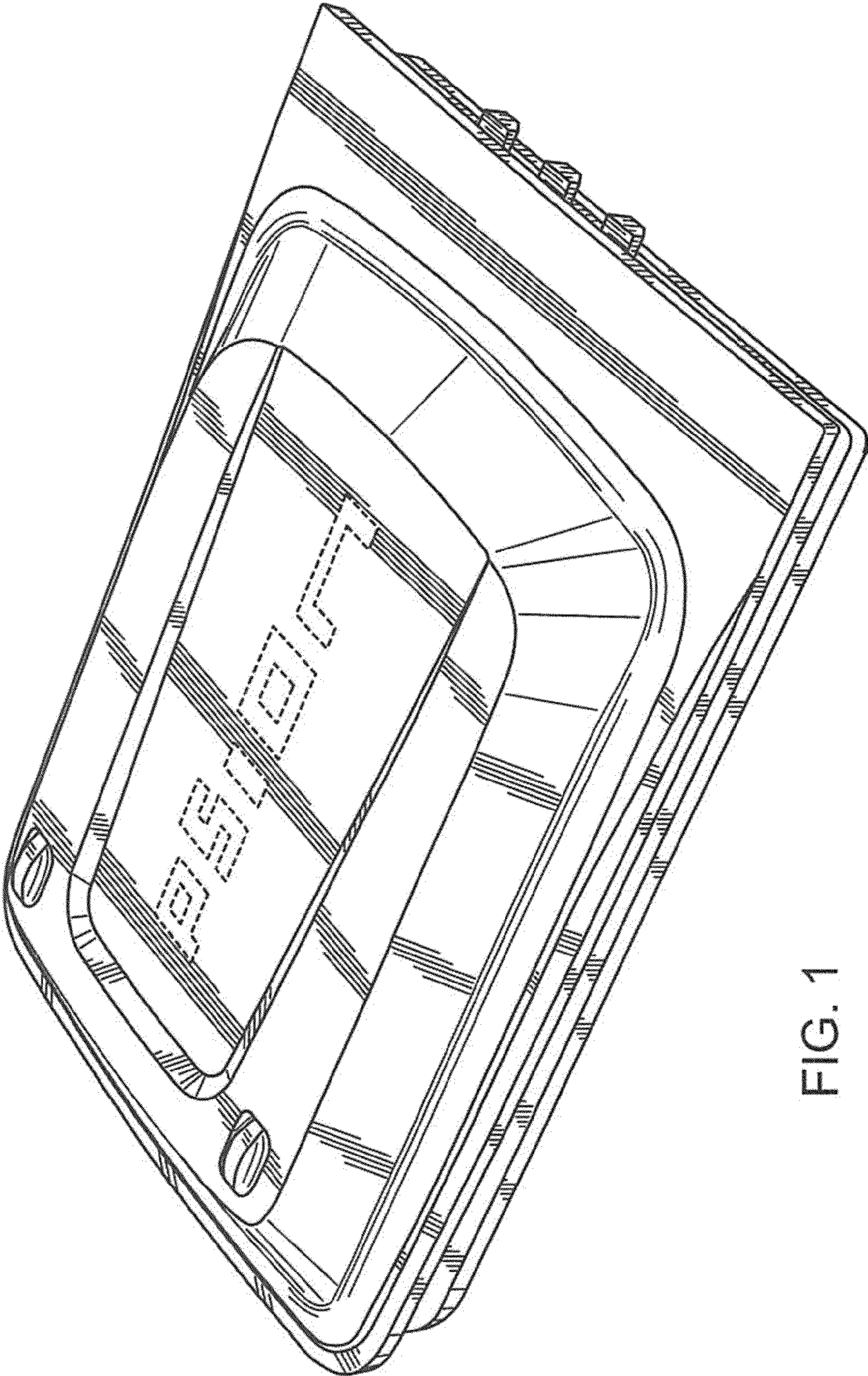


FIG. 1

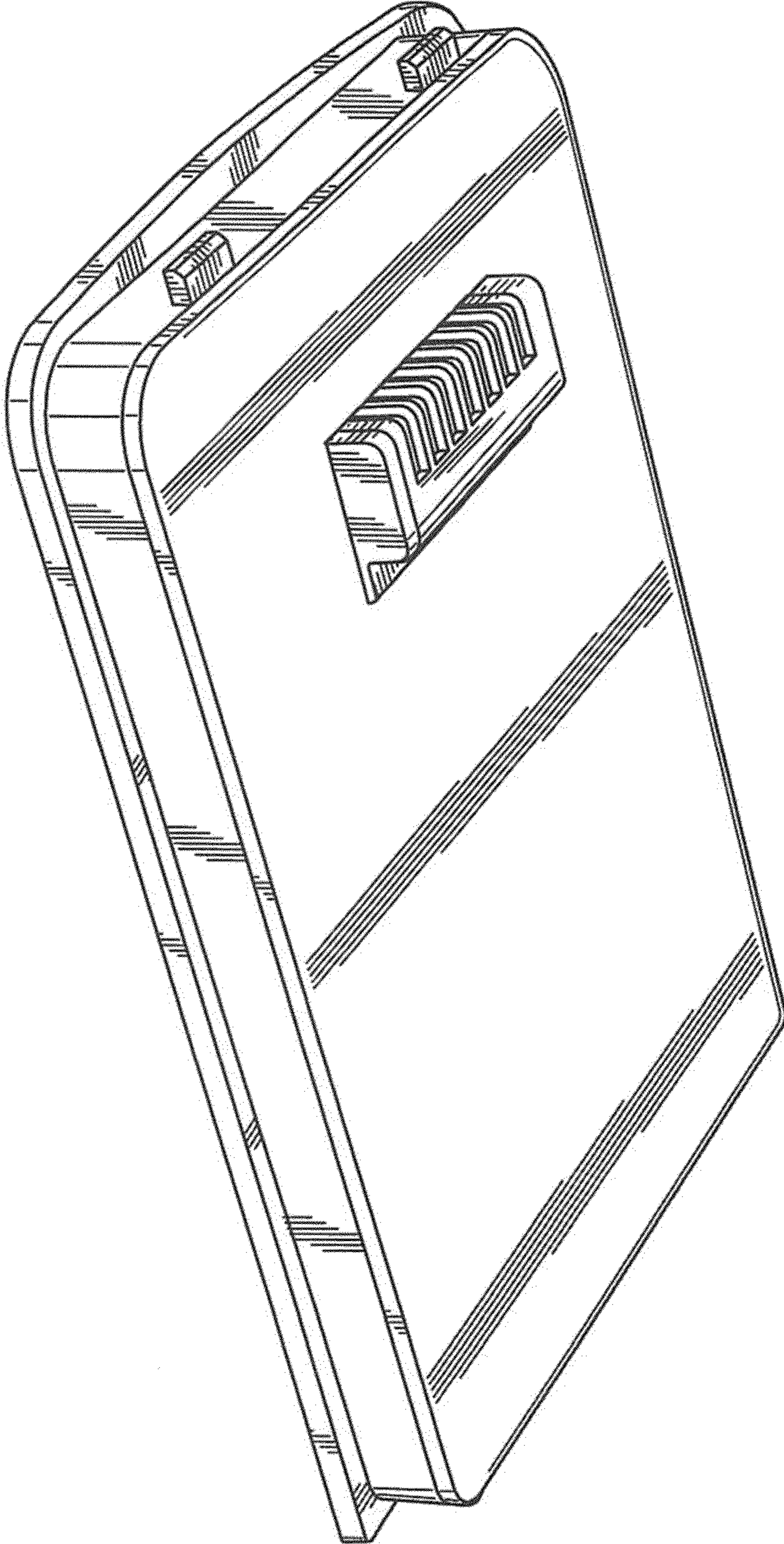


FIG. 2

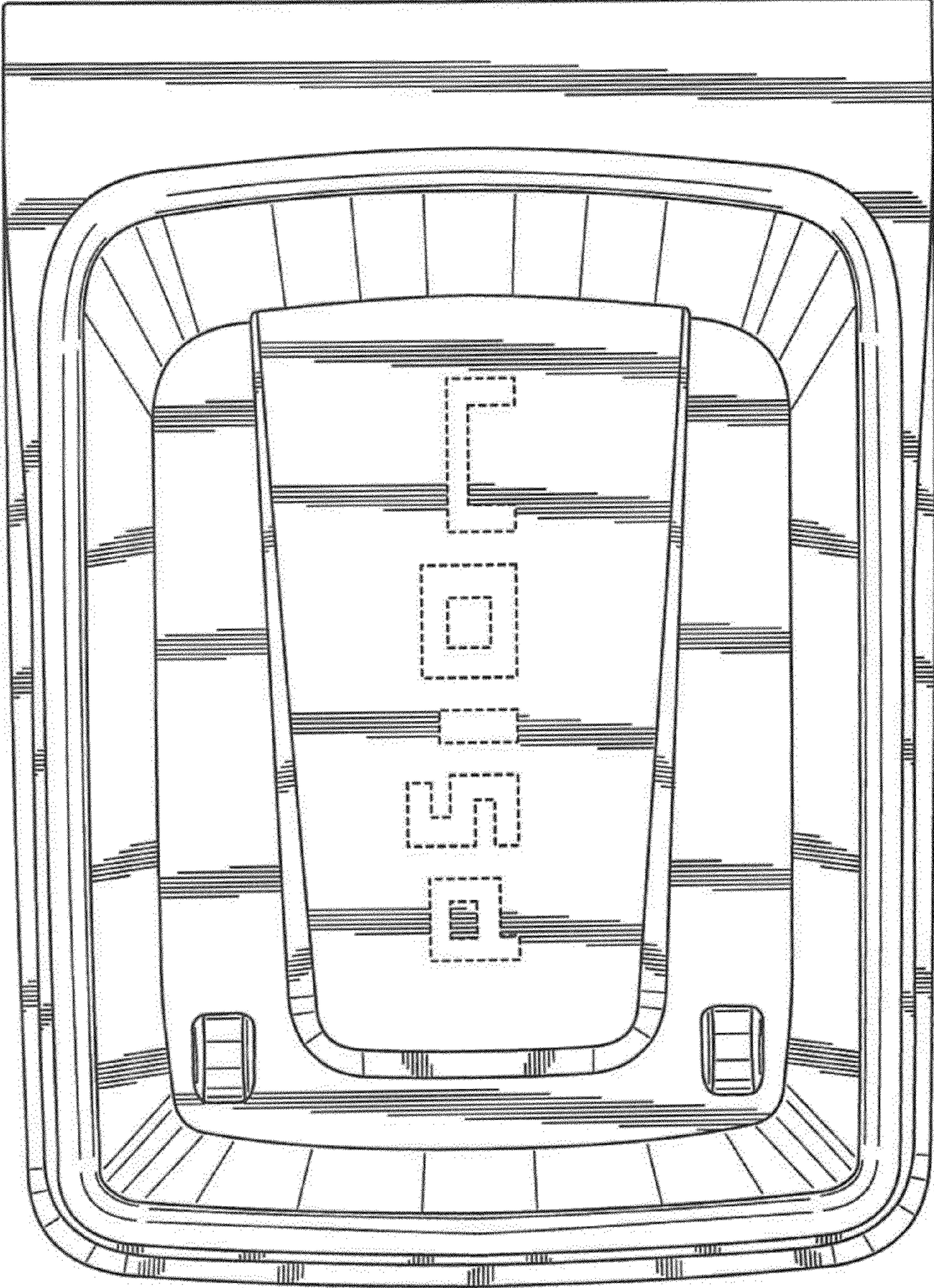


FIG. 3

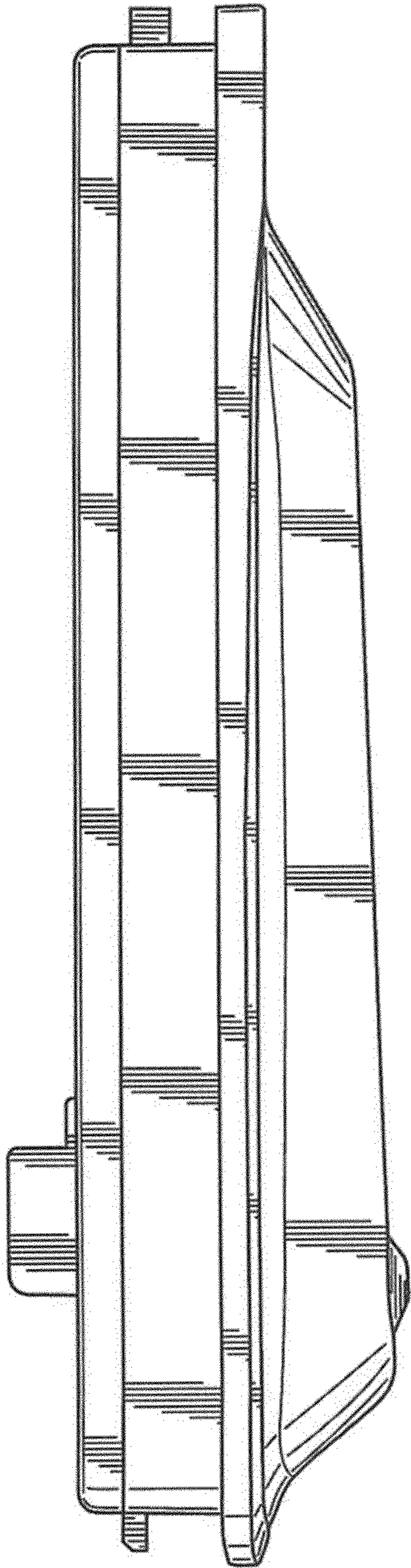


FIG. 4

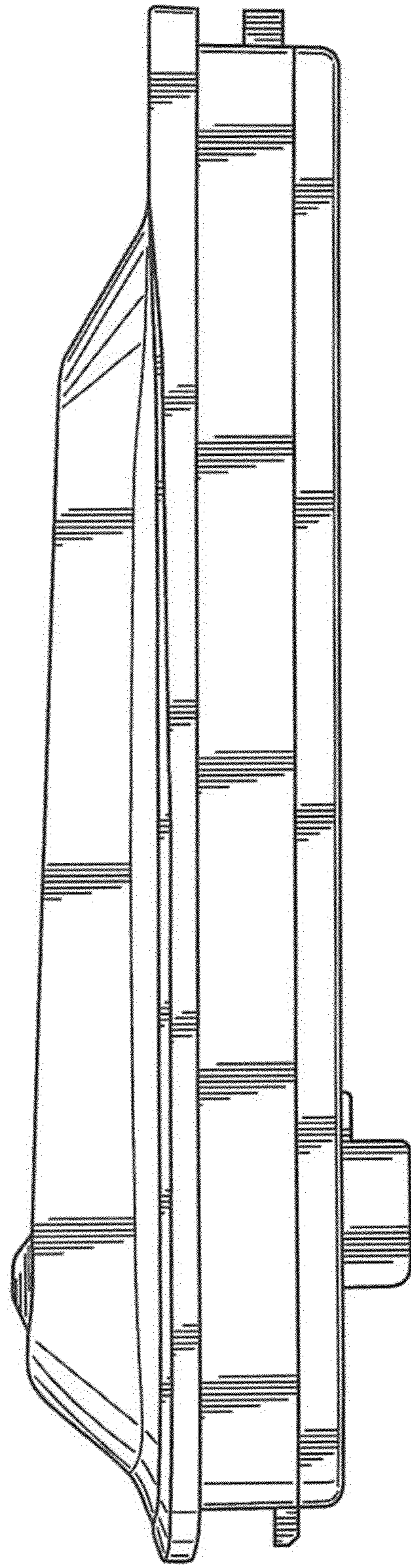


FIG. 5

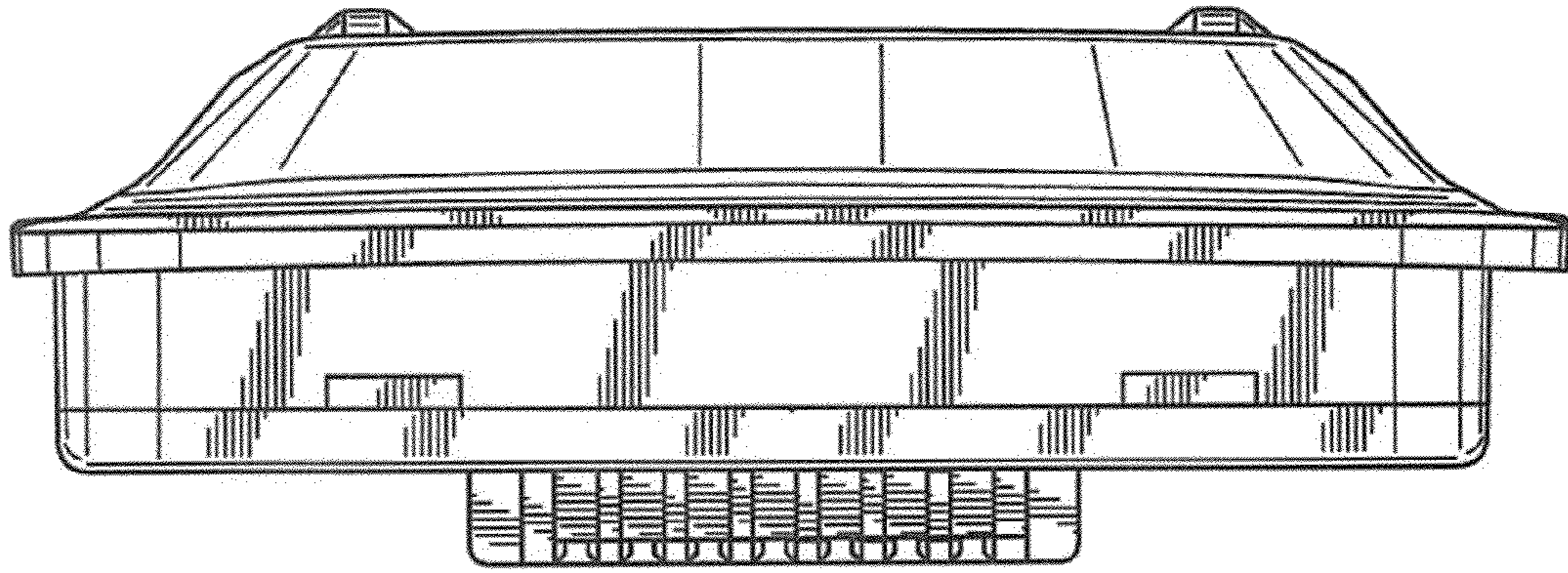


FIG. 6

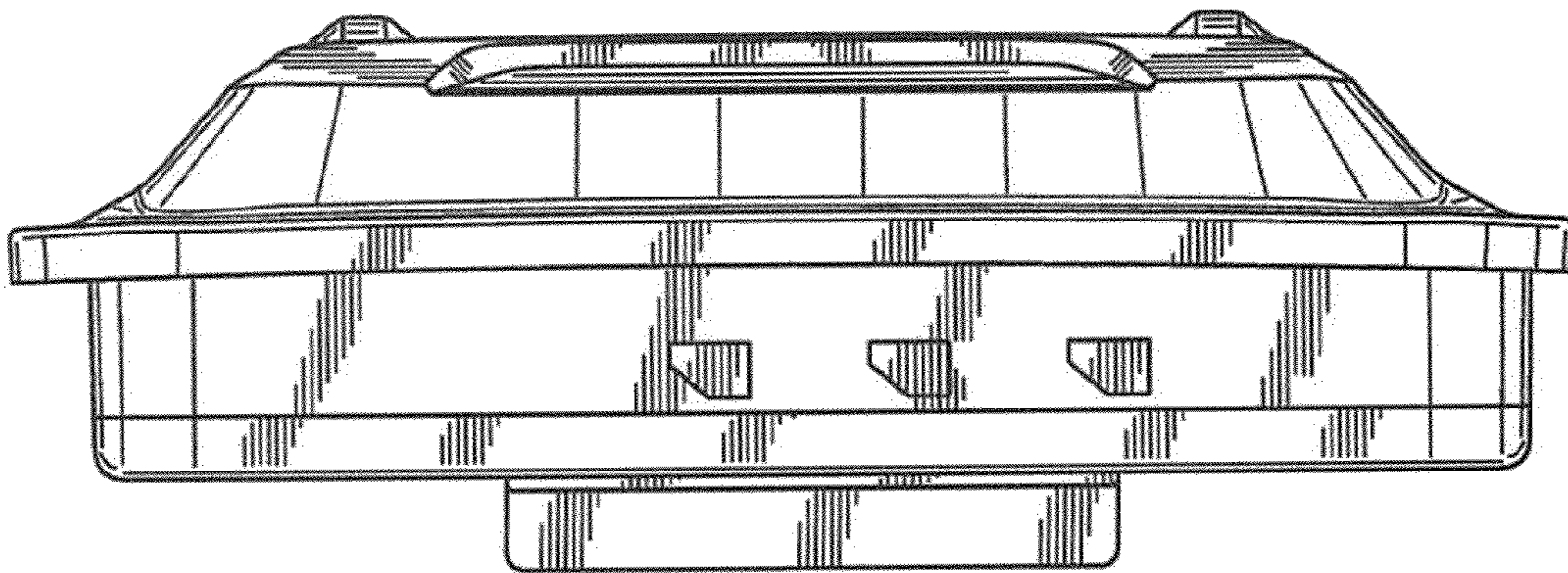


FIG. 7

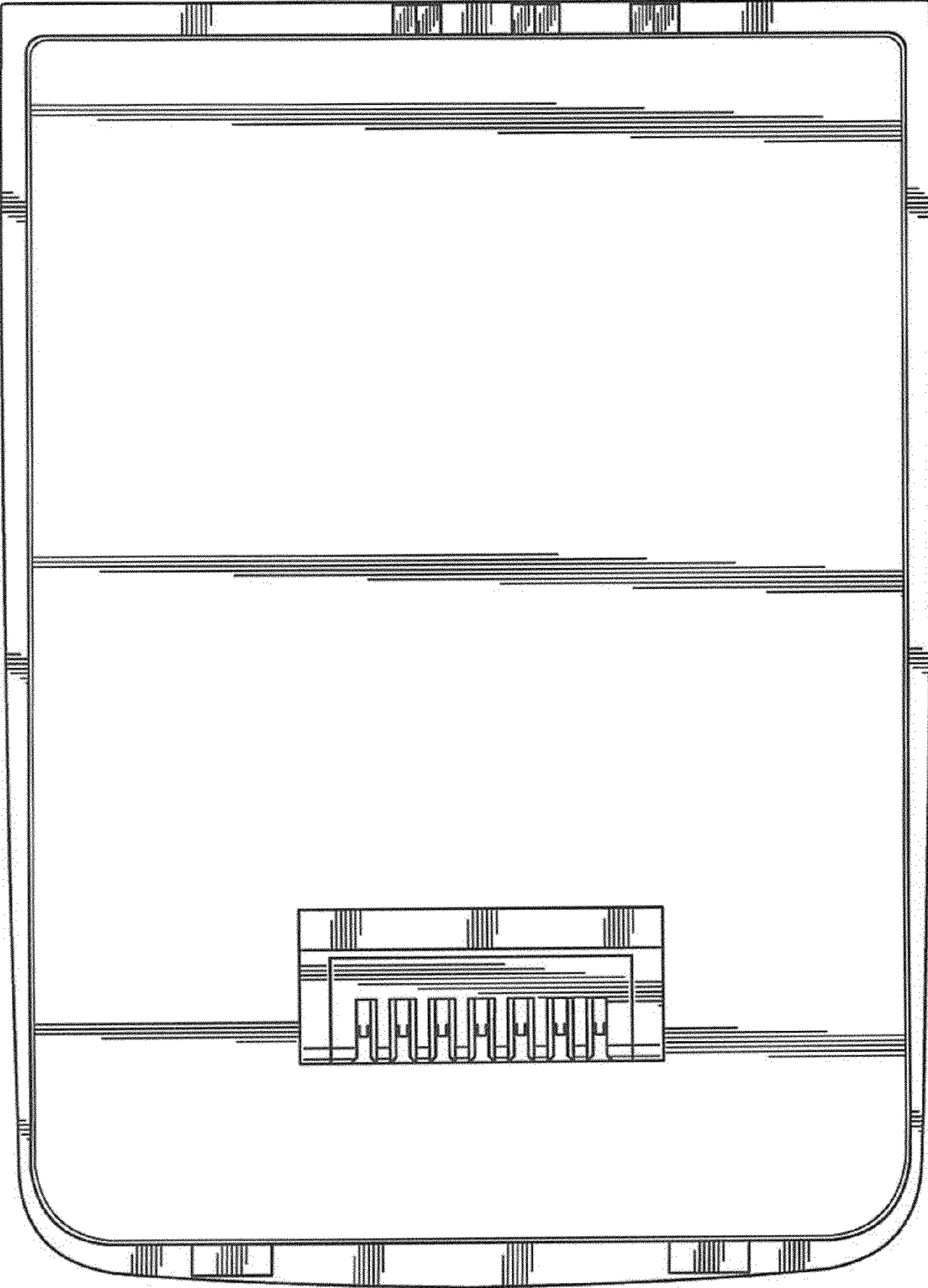


FIG. 8