



US00D704130S

(12) **United States Design Patent**
Kristensen

(10) **Patent No.:** **US D704,130 S**

(45) **Date of Patent:** **** May 6, 2014**

(54) **FITTING FOR A BICYCLE**

(71) Applicant: **Mogens Dam Kristensen**, Rodekro
(DK)

(72) Inventor: **Mogens Dam Kristensen**, Rodekro
(DK)

(**) Term: **14 Years**

(21) Appl. No.: **29/434,719**

(22) Filed: **Oct. 16, 2012**

(30) **Foreign Application Priority Data**

Apr. 16, 2012 (EM) 002026716-0001
Apr. 16, 2012 (EM) 002026716-0002

(51) **LOC (10) Cl.** **12-11**

(52) **U.S. Cl.**
USPC **D12/407**

(58) **Field of Classification Search**
USPC D12/111, 112, 406, 407; 224/400, 401,
224/419, 422, 425, 428, 431, 433; 280/202;
296/37; 206/335; D6/510; D3/304,
D3/231, 272, 273; D9/431, 432
See application file for complete search history.

(56) **References Cited**

U.S. PATENT DOCUMENTS

D244,430 S * 5/1977 Larkin D9/432
D263,121 S * 2/1982 Lowry D9/432
D374,423 S * 10/1996 Downey et al. D12/423

D450,291 S * 11/2001 Wang D12/426
D547,715 S * 7/2007 Faber et al. D12/426
D620,427 S 7/2010 Madsen
D642,095 S 7/2011 Jacobs
D642,096 S 7/2011 Taylor
D653,605 S * 2/2012 Stroud et al. D12/425

OTHER PUBLICATIONS

Official Action for Design U.S. Appl. No. 29/434,721, mailed Sep. 20, 2013, 5 pages (Restriction Requirement).

Official Action for Design U.S. Appl. No. 29/434,721, mailed Nov. 6, 2013, 5 pages.

Design U.S. Appl. No. 29/434,721, filed Oct. 16, 2012, Kristensen.

* cited by examiner

Primary Examiner — Susan E Krakower

Assistant Examiner — Linda Brooks

(74) *Attorney, Agent, or Firm* — Sheridan Ross PC

(57) **CLAIM**

The ornamental design for a fitting for a bicycle, as shown and described.

DESCRIPTION

FIG. 1 is a perspective view of the invention showing my new design;

FIG. 2 is a front elevation view of FIG. 1;

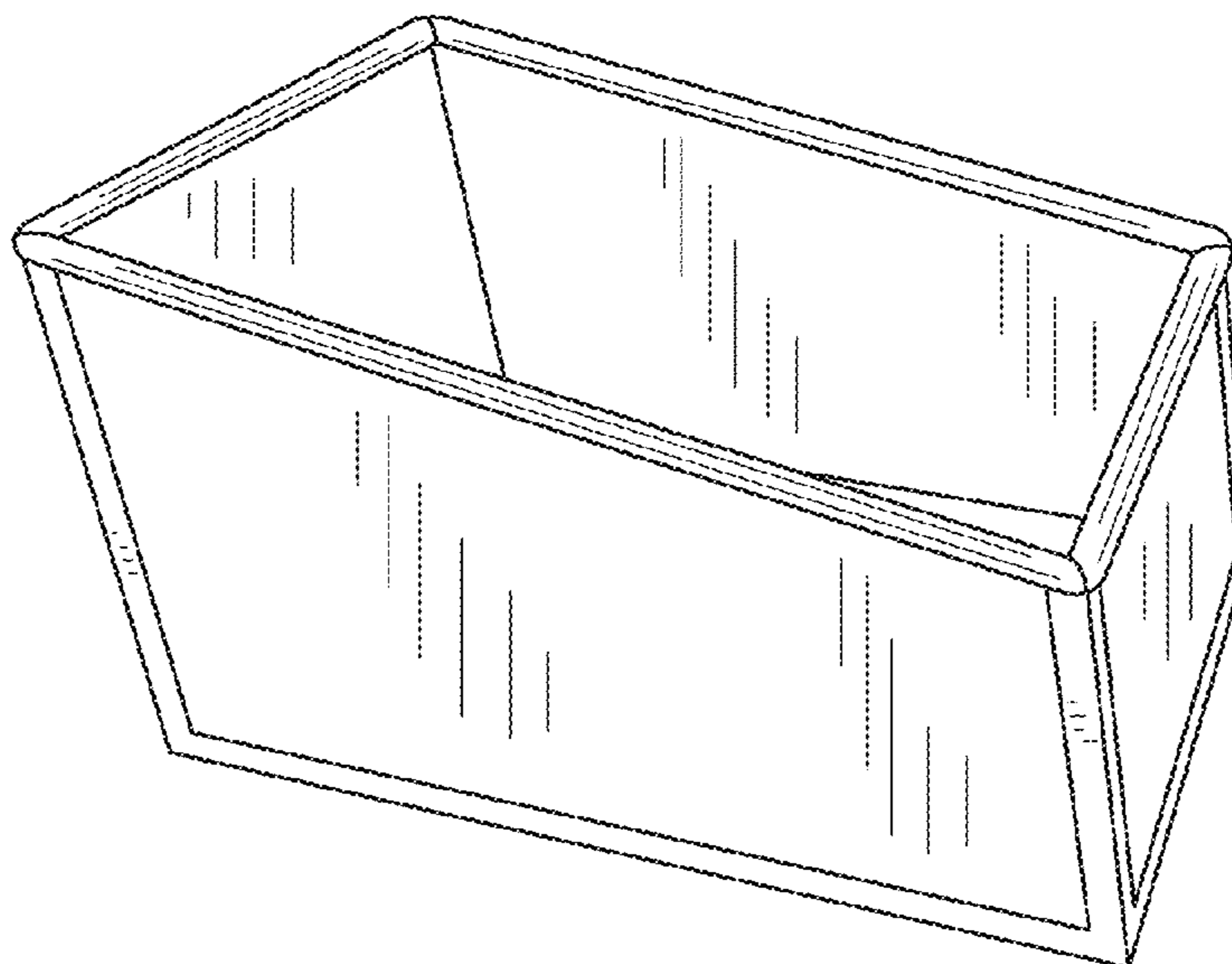
FIG. 3 is a rear elevation view of FIG. 1;

FIG. 4 is a top plan view of FIG. 1,

FIG. 5 is a left side view of FIG. 1, a right side view being identical; and,

FIG. 6 is a bottom plan view of FIG. 1.

1 Claim, 6 Drawing Sheets



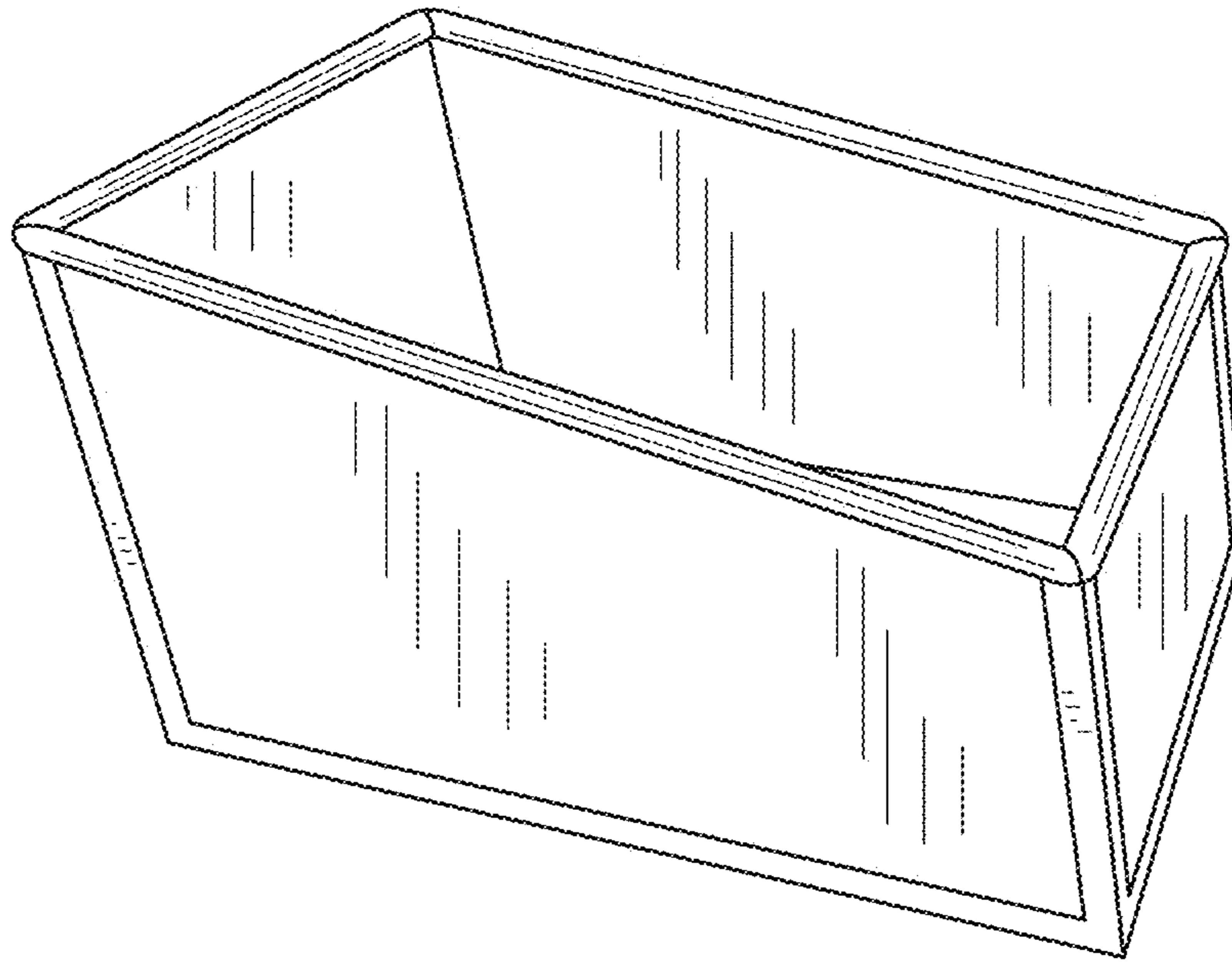


FIG.1

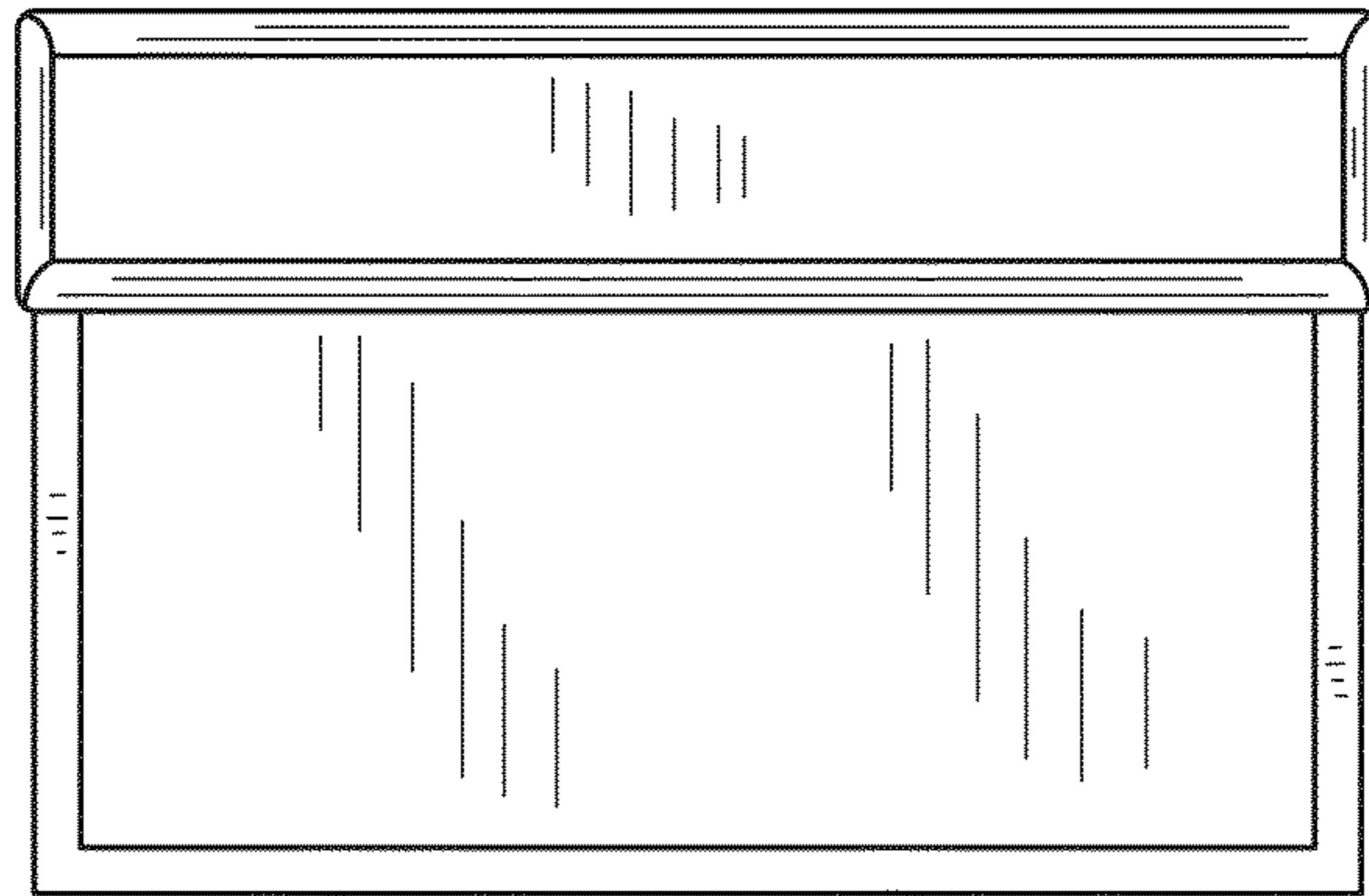


FIG.2

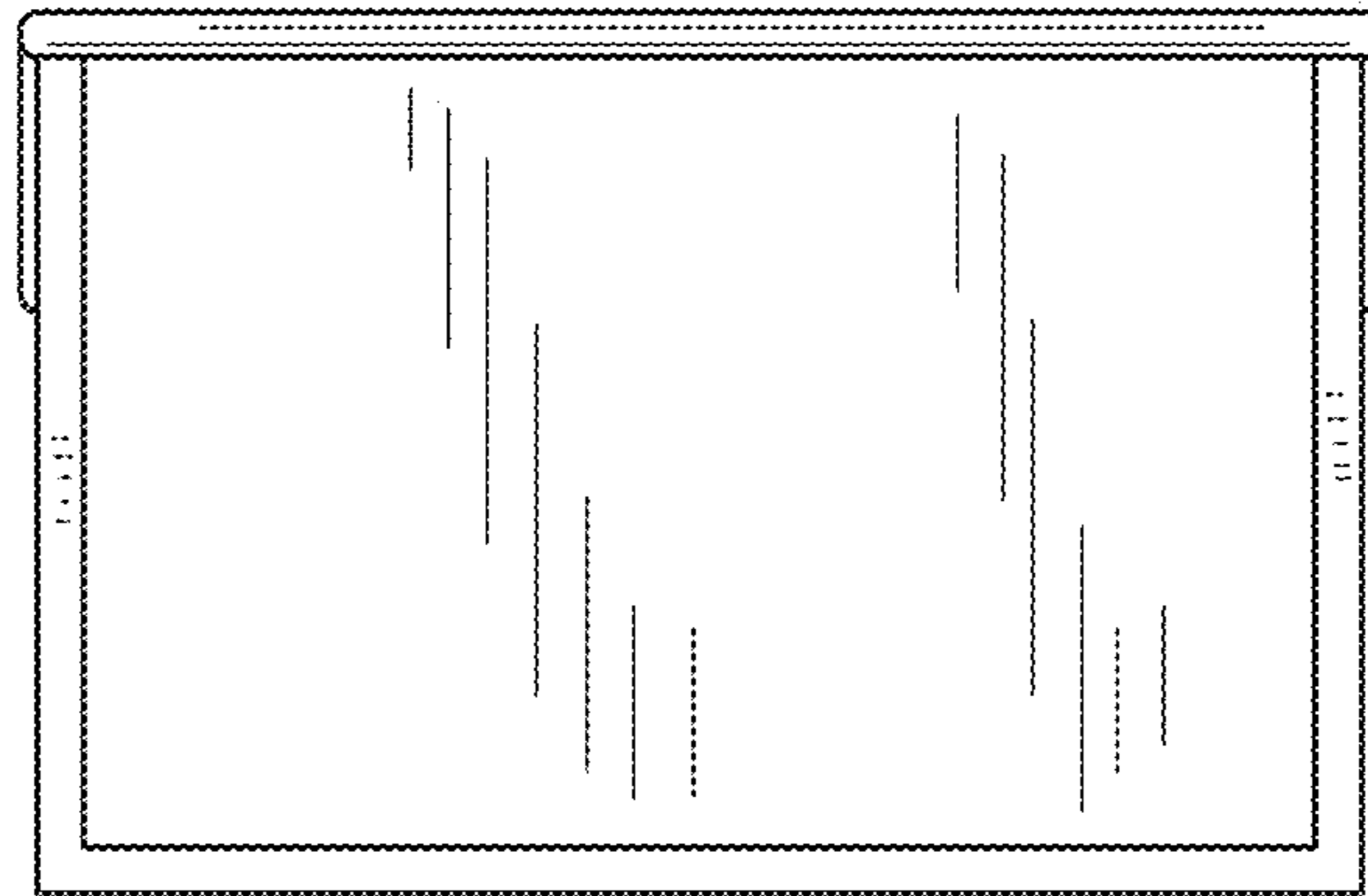


FIG.3

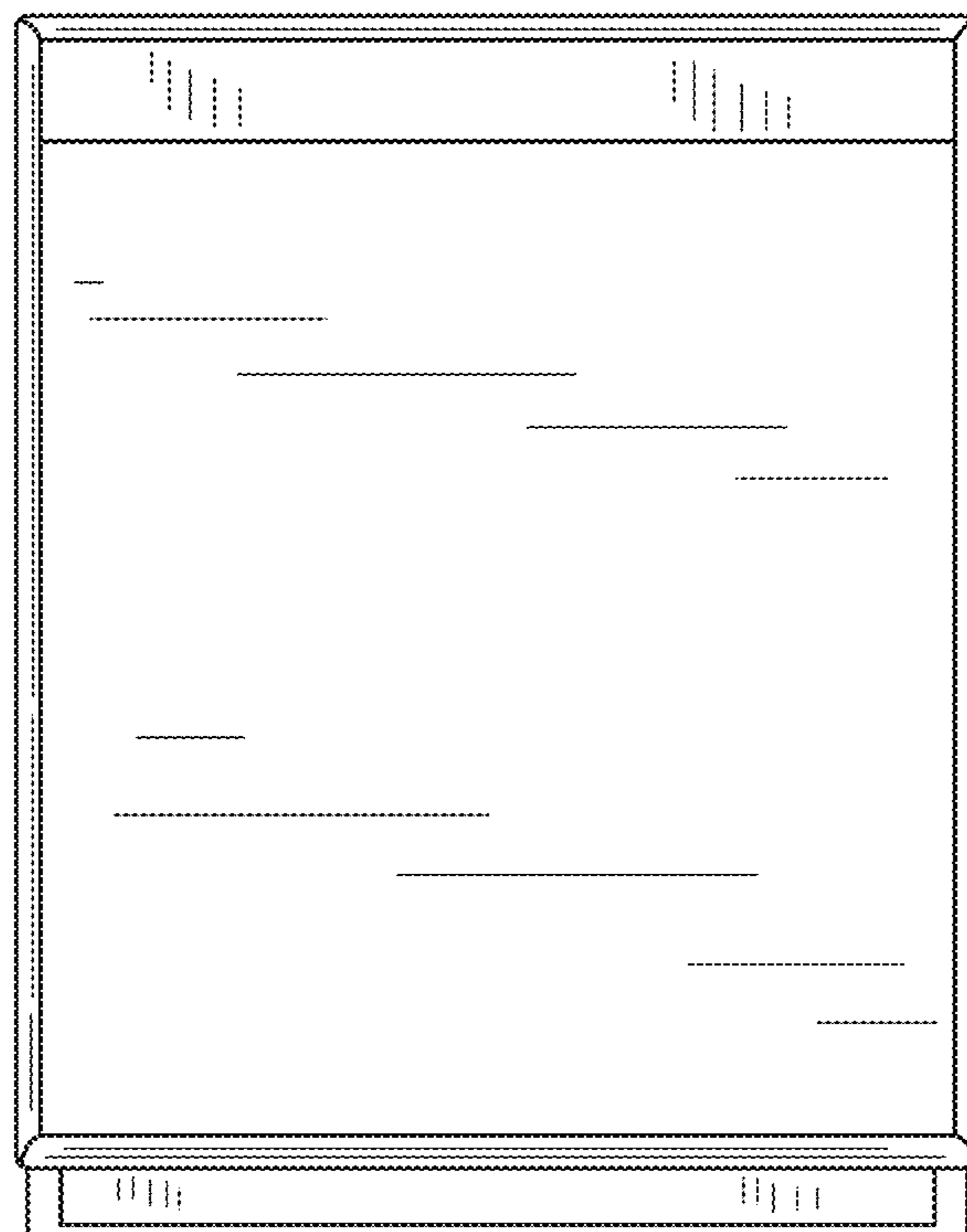


FIG.4

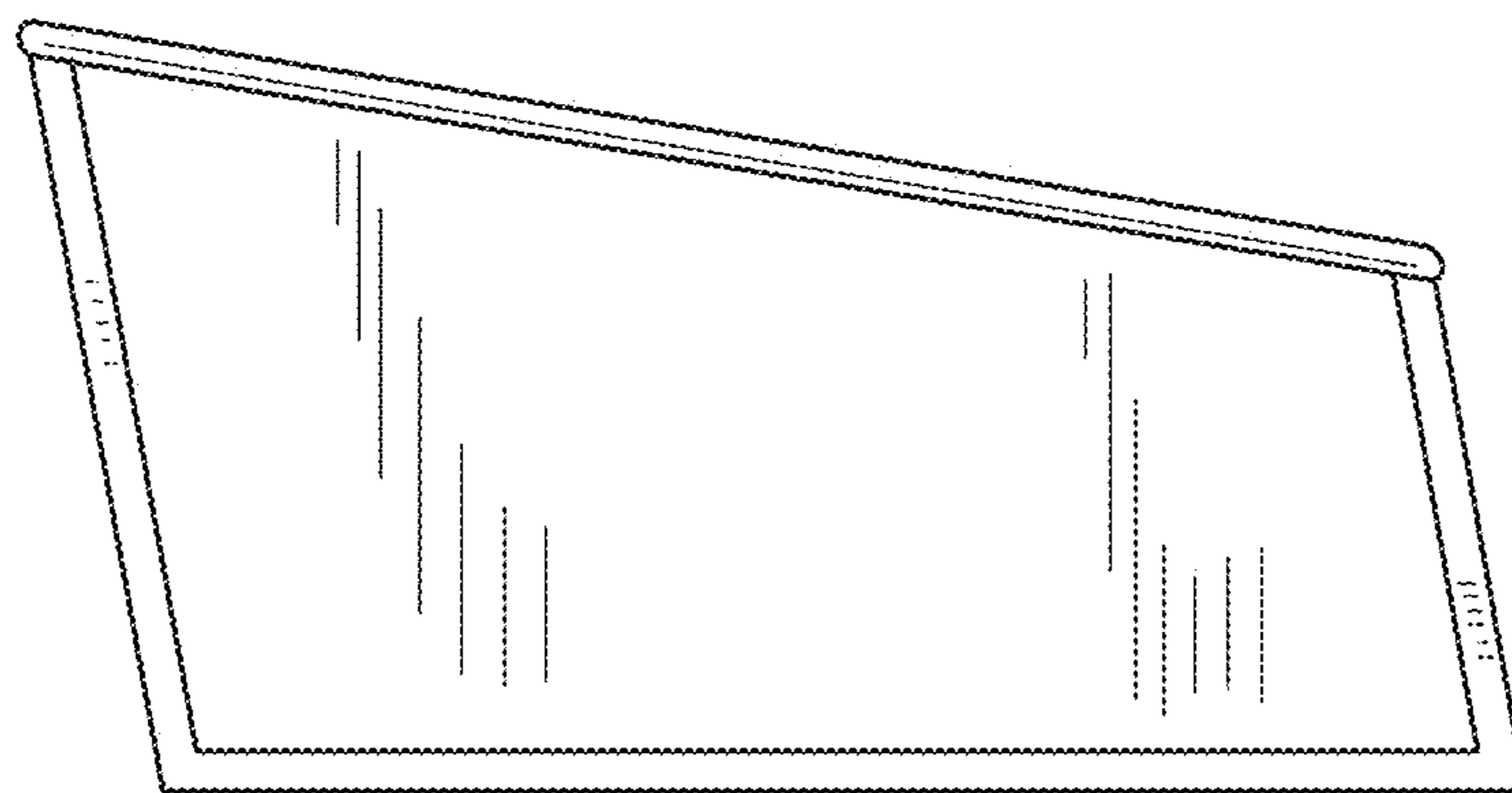


FIG.5

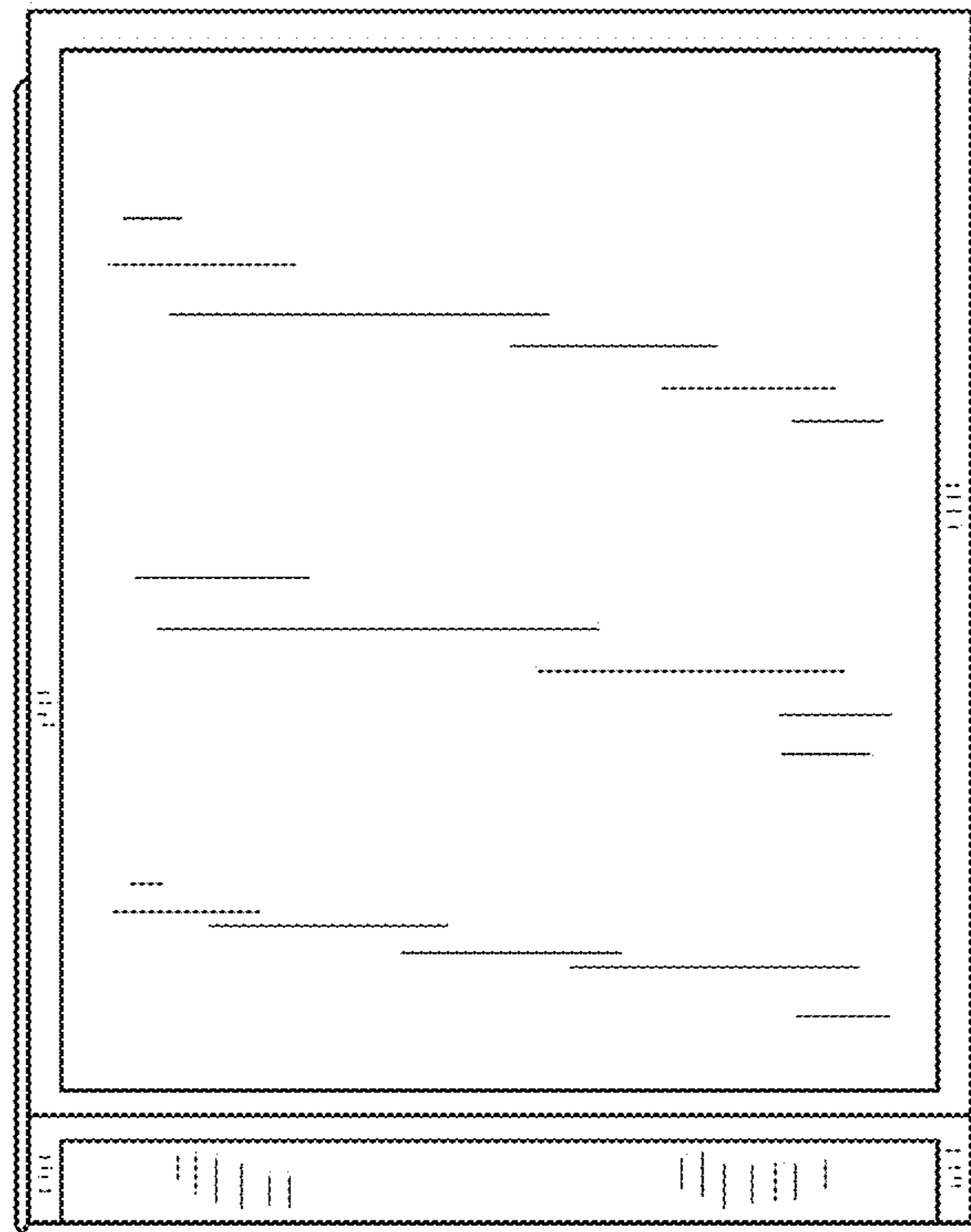


FIG.6