



US00D704128S

(12) **United States Design Patent**
Depondt

(10) **Patent No.:** **US D704,128 S**

(45) **Date of Patent:** **** May 6, 2014**

(54) **WIPER BLADE ADAPTER FOR WINDSHIELD WIPERS**

D665,716 S * 8/2012 Houssat et al. D12/220
D665,717 S * 8/2012 Houssat et al. D12/220
D665,718 S * 8/2012 Houssat et al. D12/220
D695,204 S * 12/2013 Kim D12/219

(71) Applicant: **Robert Bosch GmbH**, Stuttgart (DE)

* cited by examiner

(72) Inventor: **Helmut Depondt**, Kessel-Lo (BE)

Primary Examiner — Katrina A Betton

(73) Assignee: **Robert Bosch GmbH**, Stuttgart (DE)

(74) *Attorney, Agent, or Firm* — Maginot, Moore & Beck

(**) Term: **14 Years**

(21) Appl. No.: **29/452,450**

(57) **CLAIM**

The ornamental design for a wiper blade adapter for windshield wipers, as shown and described.

(22) Filed: **Apr. 16, 2013**

(30) **Foreign Application Priority Data**

DESCRIPTION

Oct. 17, 2012 (EM) 002120105

(51) **LOC (10) Cl.** **12-06**

(52) **U.S. Cl.**
USPC **D12/220**

(58) **Field of Classification Search**
USPC D12/219–220; 15/246, 247, 250.001,
15/250.4, 250.361, 250.19, 250.48,
15/250.03, 250.31–250.33, 250.201,
15/250.451, 250.458, 250.04, 250.07,
15/250.44

See application file for complete search history.

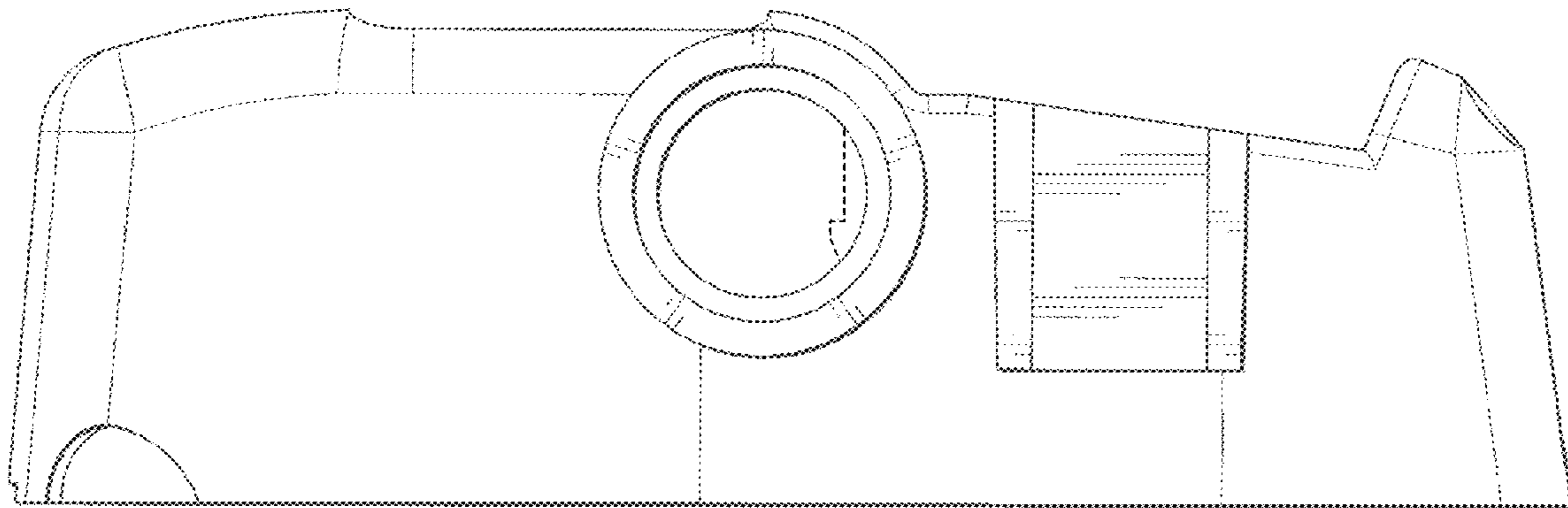
(56) **References Cited**

U.S. PATENT DOCUMENTS

D478,308 S * 8/2003 Lee D12/220
D597,465 S * 8/2009 Grasso et al. D12/220
D597,466 S * 8/2009 Grasso et al. D12/220
D597,468 S * 8/2009 Grasso et al. D12/220
D597,470 S * 8/2009 Grasso et al. D12/220
D665,329 S * 8/2012 Houssat et al. D12/220

FIG. 1 is a perspective view of a wiper blade adapter for windshield wipers showing my new design;
FIG. 2 is a left side elevational view showing the design for the wiper blade adapter for windshield wipers of FIG. 1;
FIG. 3 is a right side elevational view showing the design for the wiper blade adapter for windshield wipers of FIG. 1;
FIG. 4 is a rear elevational view showing the design for the wiper blade adapter for windshield wipers of FIG. 1;
FIG. 5 is a front elevational view showing the design for the wiper blade adapter for windshield wipers of FIG. 1;
FIG. 6 is a top elevational view showing the design for the wiper blade adapter for windshield wipers of FIG. 1; and,
FIG. 7 is a bottom elevational view showing the design for the wiper blade adapter for windshield wipers of FIG. 1.
The broken lines shown in the drawings illustrate portions of the wiper blade adapter for windshield wipers that form no part of the claimed design.
In the drawings, the broken lines in FIG. 7 depict portions of the article that form no part of the claimed design.

1 Claim, 7 Drawing Sheets



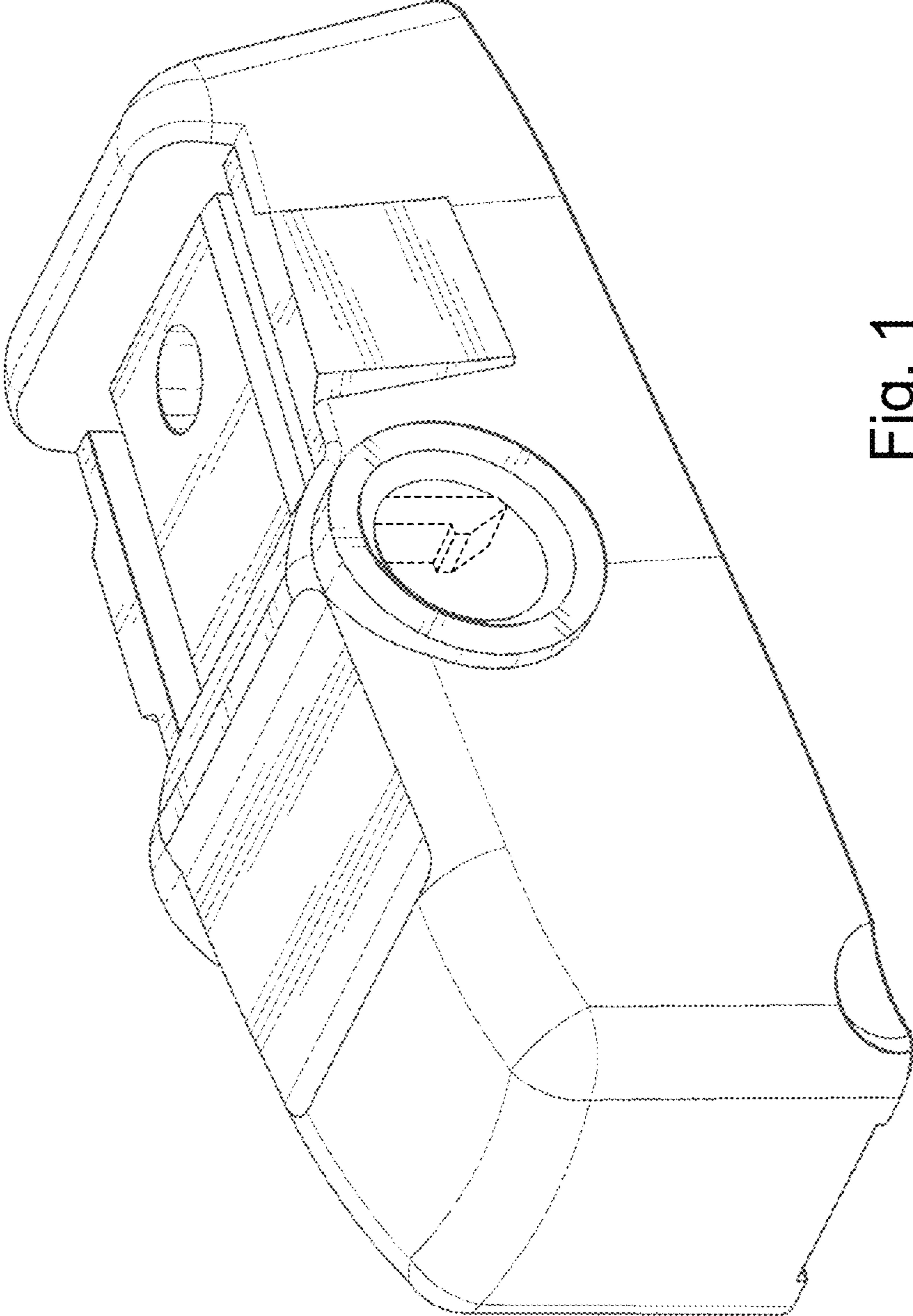


Fig. 1

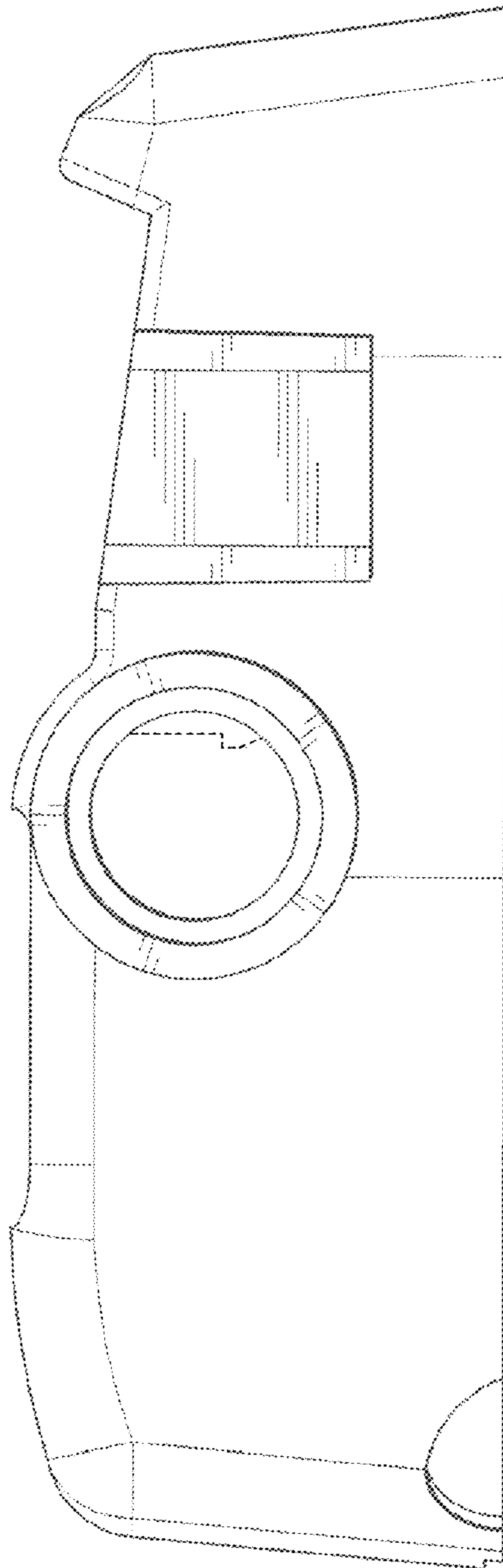


Fig. 2

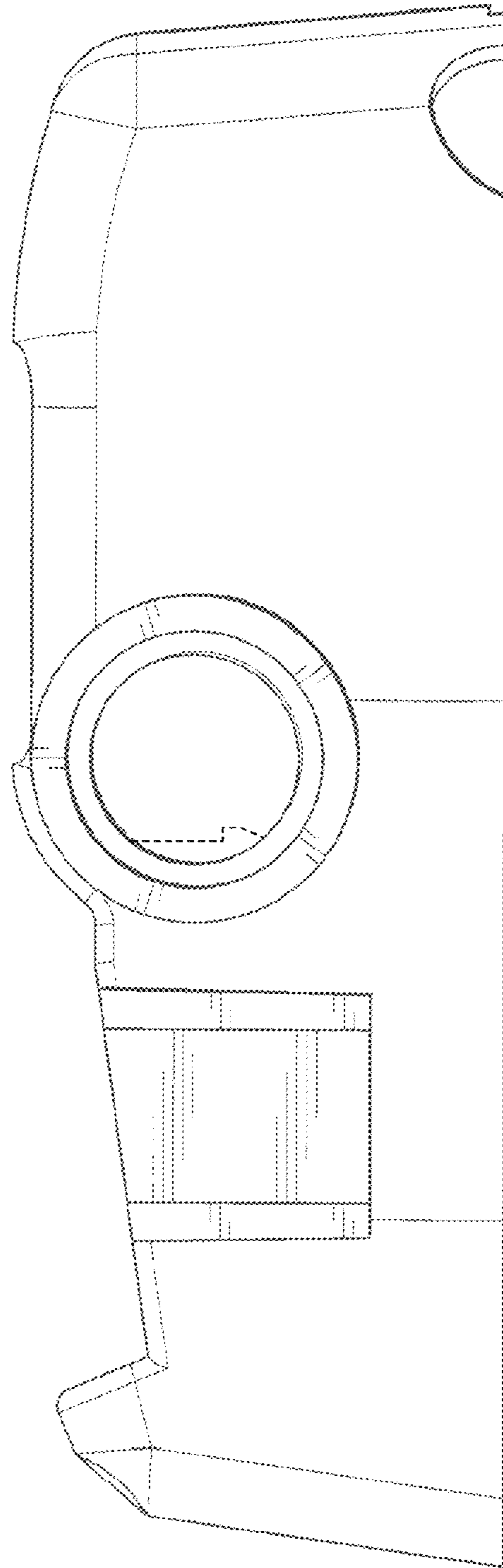


Fig. 3

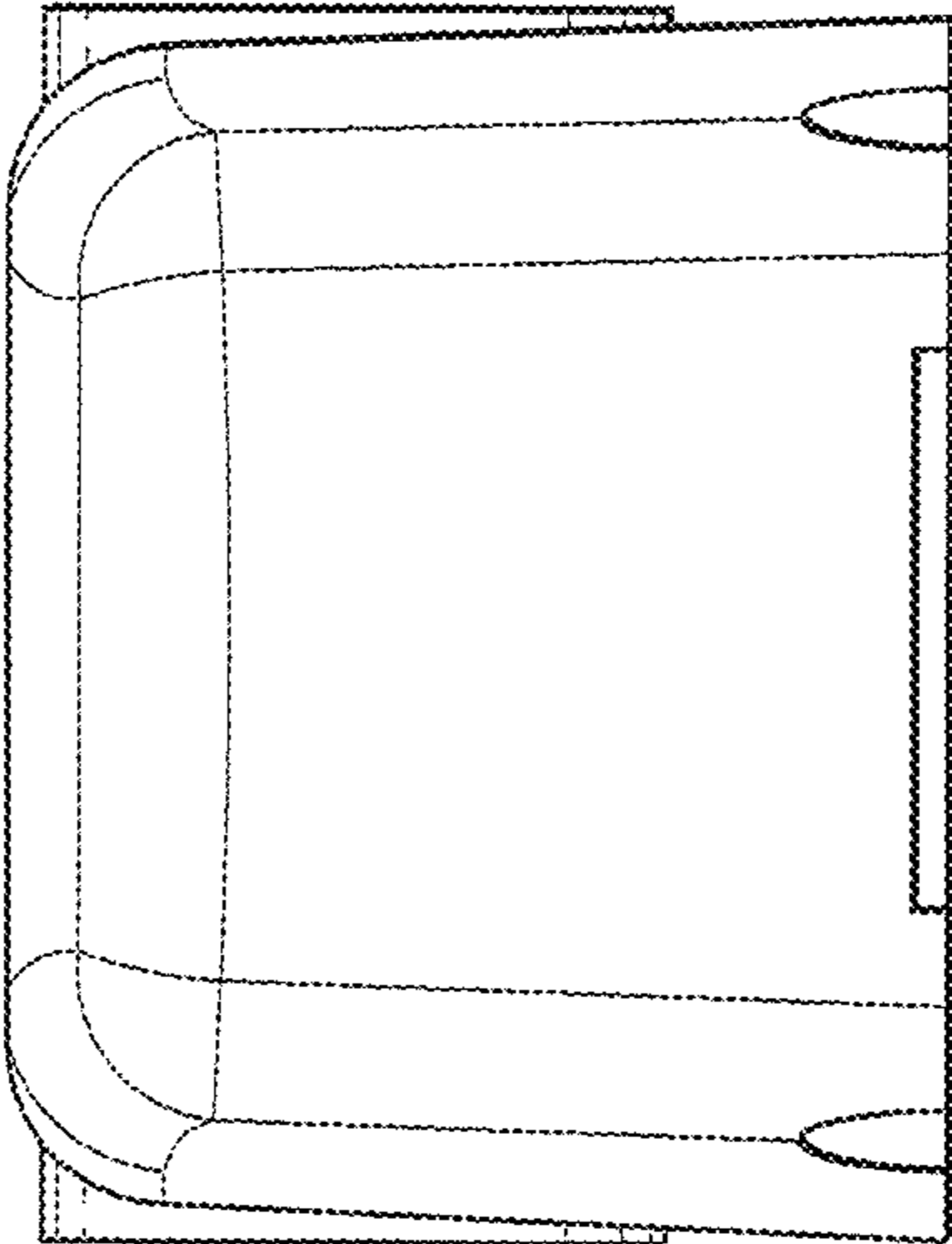


Fig. 4

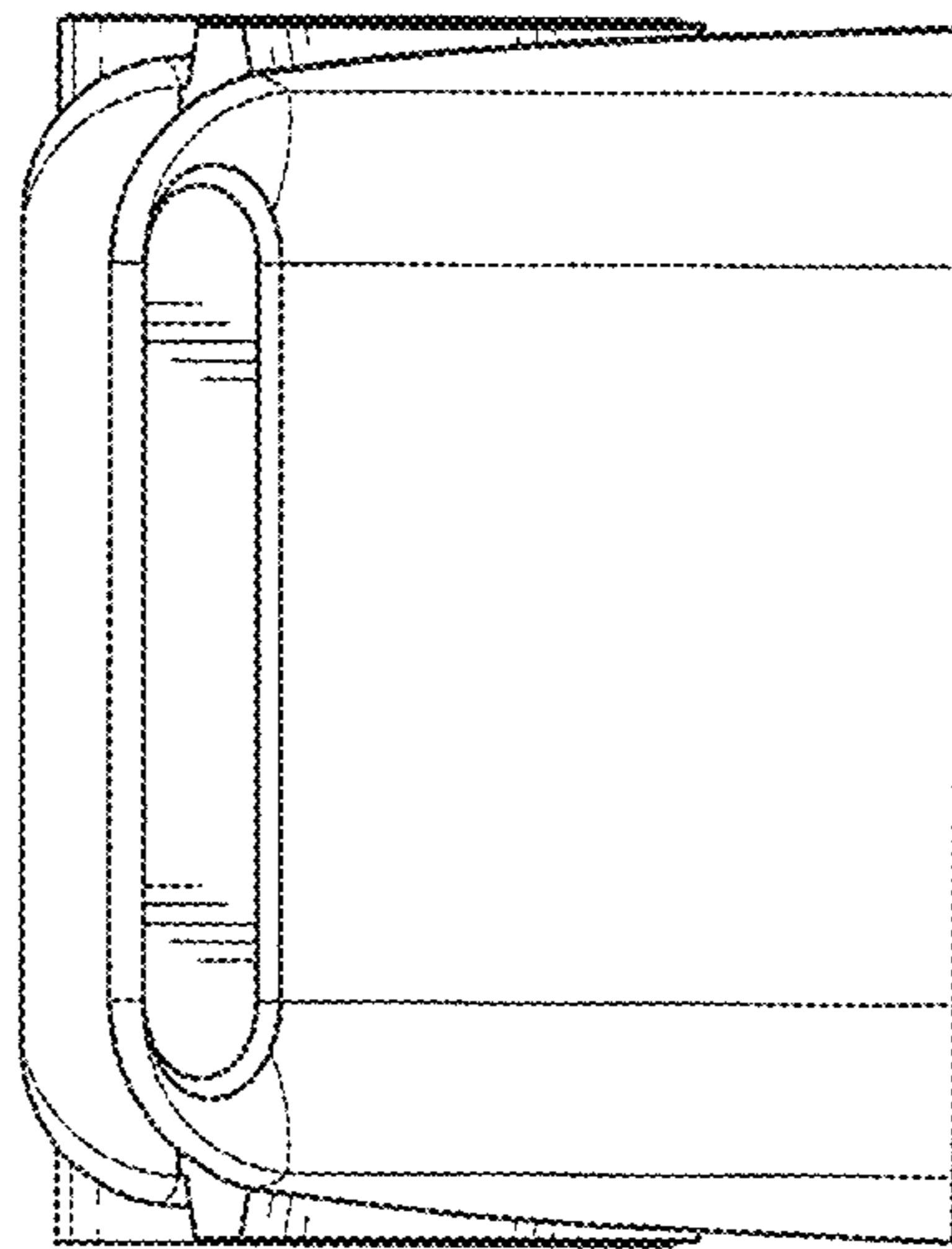


Fig. 5

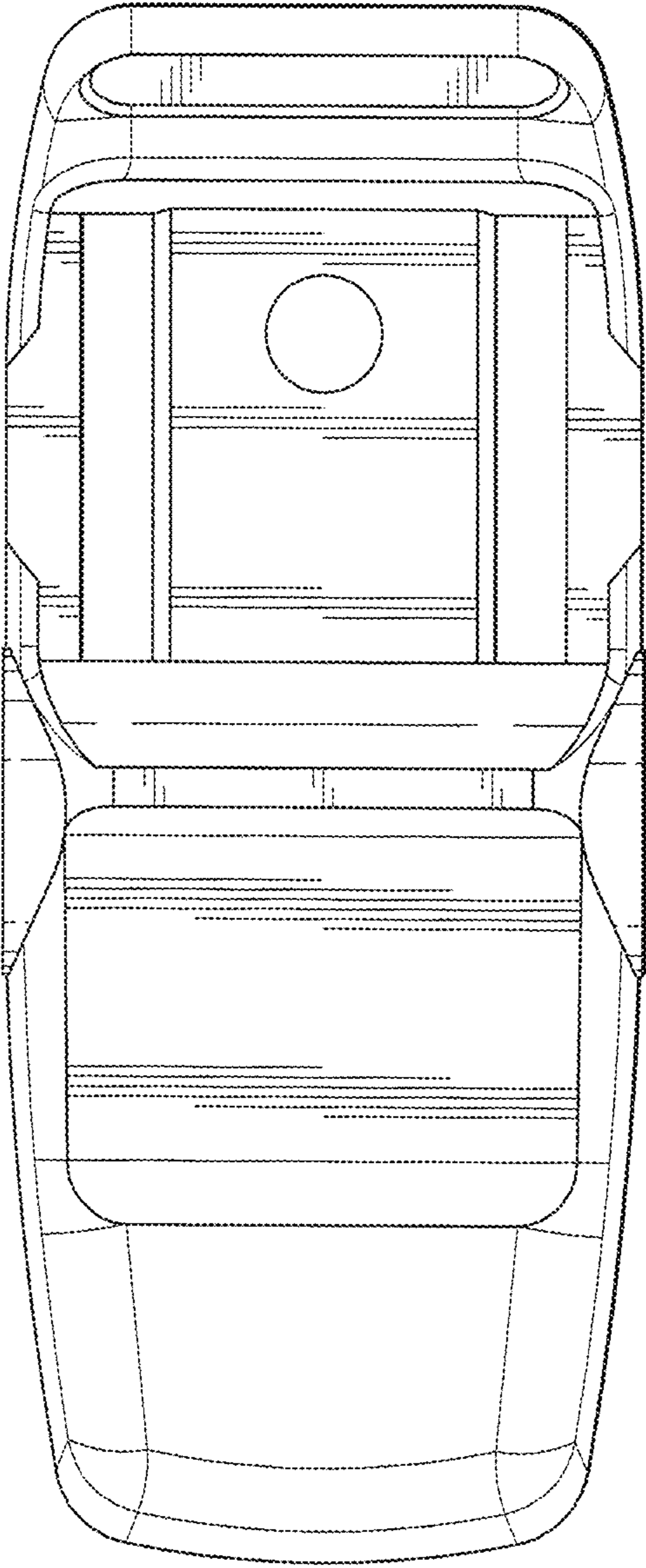


Fig. 6

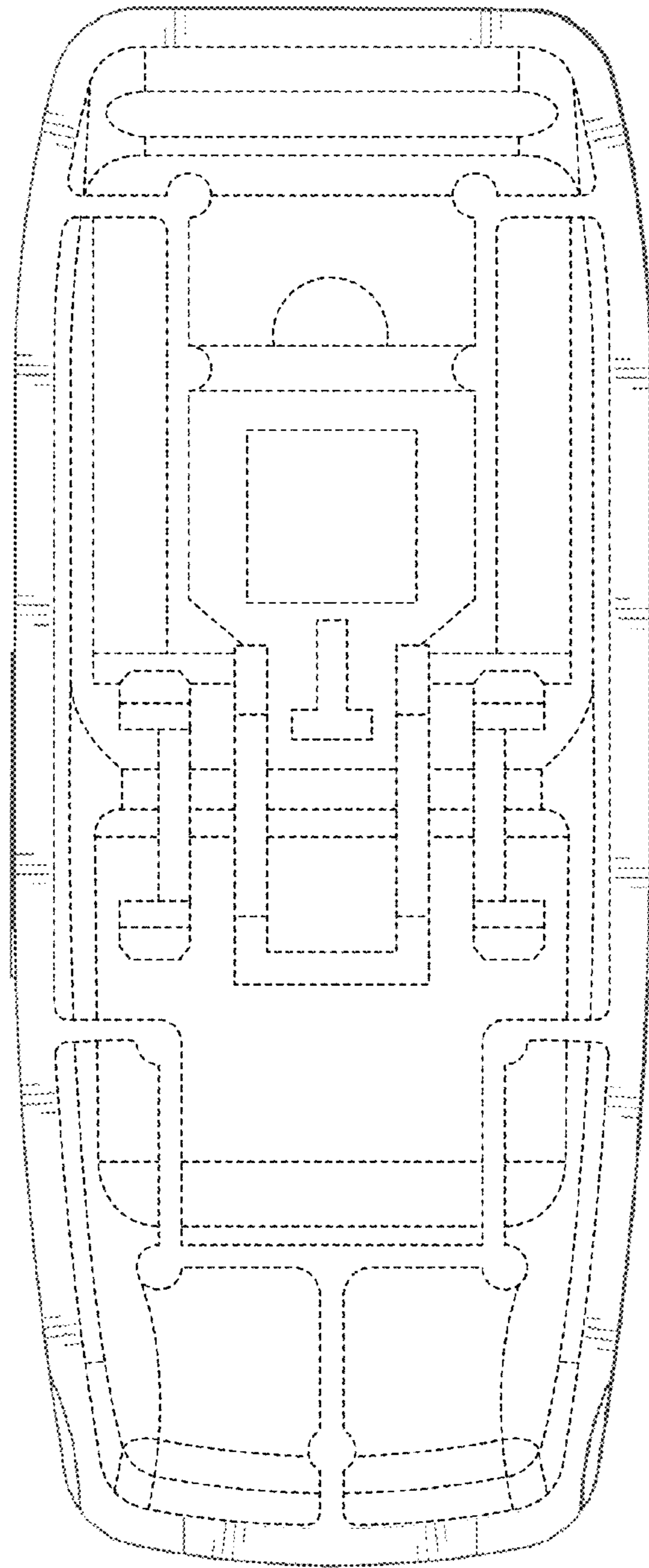


Fig. 7