



US00D704127S

(12) **United States Design Patent**
Depondt

(10) **Patent No.:** **US D704,127 S**

(45) **Date of Patent:** **** May 6, 2014**

(54) **WIPER BLADE**

(71) Applicant: **Robert Bosch GmbH**, Stuttgart (DE)

(72) Inventor: **Helmut Depondt**, Kessel-Lo (BE)

(73) Assignee: **Robert Bosch GmbH**, Stuttgart (DE)

(**) Term: **14 Years**

(21) Appl. No.: **29/452,772**

(22) Filed: **Apr. 22, 2013**

(30) **Foreign Application Priority Data**

Oct. 22, 2012 (EM) 002122515

(51) **LOC (10) Cl.** **12-06**

(52) **U.S. Cl.**
USPC **D12/219**

(58) **Field of Classification Search**
USPC D12/219-220; 15/246, 247, 250.001,
15/250.4, 250.361, 250.19, 250.48,
15/250.03, 250.31-250.33, 250.351,
15/250.38, 250.201, 250.451, 250.458,
15/250.04, 250.07, 250.44
See application file for complete search history.

(56) **References Cited**

U.S. PATENT DOCUMENTS

D680,051 S * 4/2013 Tolentino et al. D12/219
D685,713 S * 7/2013 Wang D12/219

D686,555 S * 7/2013 Song et al. D12/219
D686,556 S * 7/2013 Song et al. D12/219
D686,557 S * 7/2013 Kwon D12/219
D692,818 S * 11/2013 Tolentino et al. D12/219
D692,819 S * 11/2013 Tolentino et al. D12/220
2012/0317740 A1* 12/2012 Yang et al. 15/250.32
2012/0324671 A1* 12/2012 Pinto et al. 15/250.32
2012/0324672 A1* 12/2012 Pinto et al. 15/250.48

* cited by examiner

Primary Examiner — Katrina A Betton

(74) *Attorney, Agent, or Firm* — Maginot, Moore & Beck

(57) **CLAIM**

The ornamental design for a wiper blade, as shown and described.

DESCRIPTION

FIG. 1 is a perspective view of a wiper blade showing my new design;
FIG. 2 is a left side elevational view showing the design for the wiper blade of FIG. 1;
FIG. 3 is a right side elevational view showing the design for the wiper blade of FIG. 1;
FIG. 4 is a rear elevational view showing the design for the wiper blade of FIG. 1;
FIG. 5 is a front elevational view showing the design for the wiper blade of FIG. 1;
FIG. 6 is a top elevational view showing the design for the wiper blade of FIG. 1; and,
FIG. 7 is a bottom elevational view showing the design for the wiper blade of FIG. 1.

1 Claim, 7 Drawing Sheets

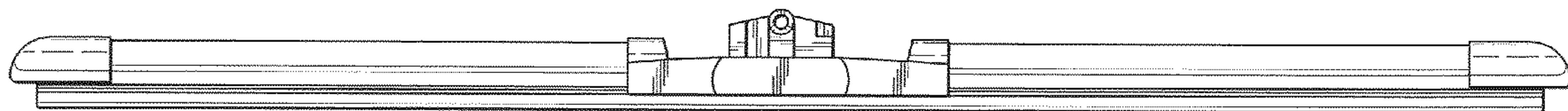
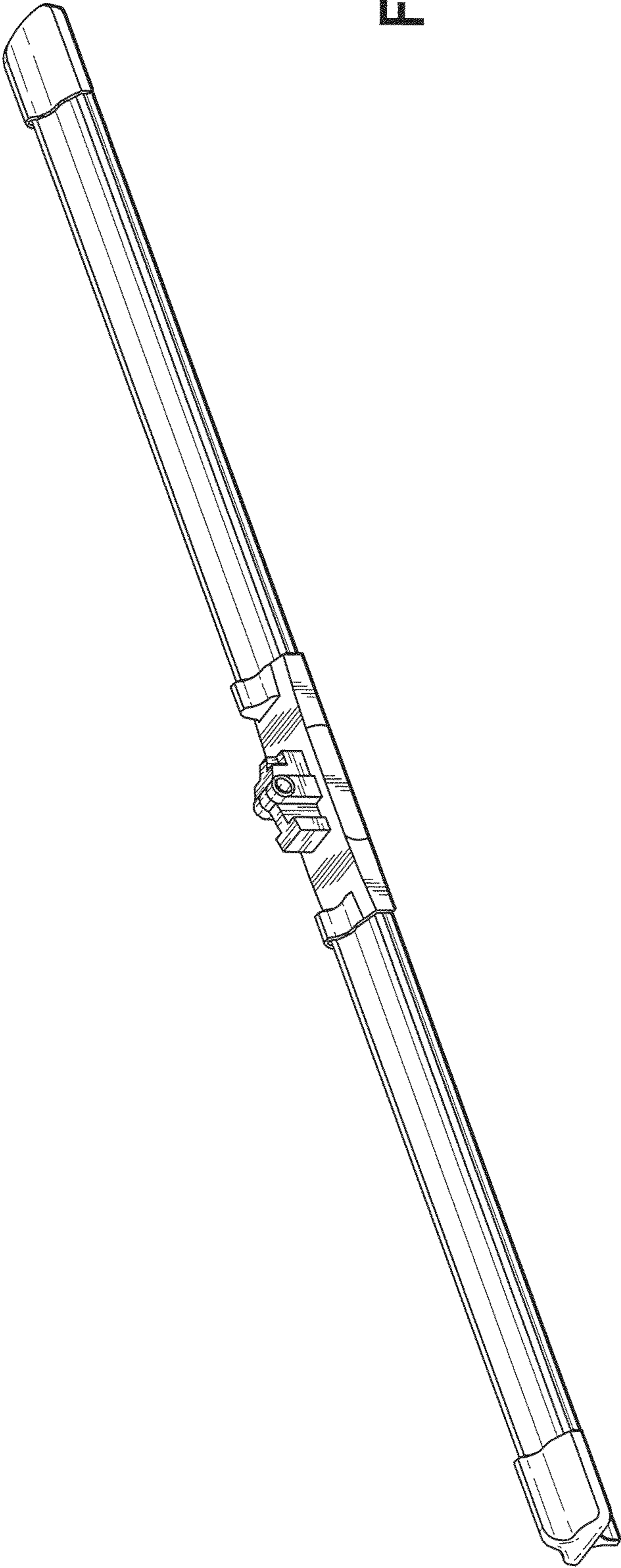


Fig. 1



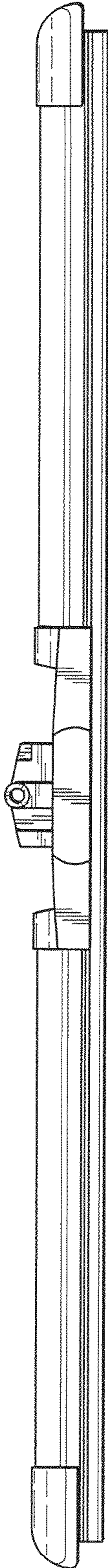


Fig. 2

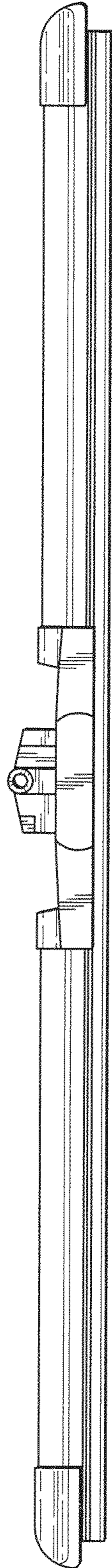


Fig. 3

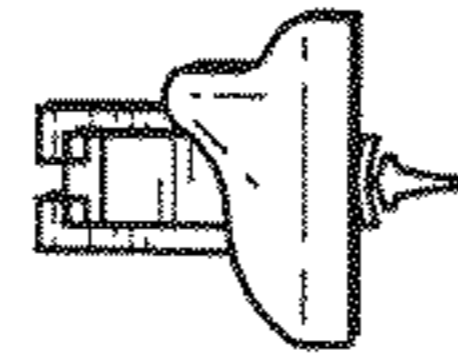


Fig. 4

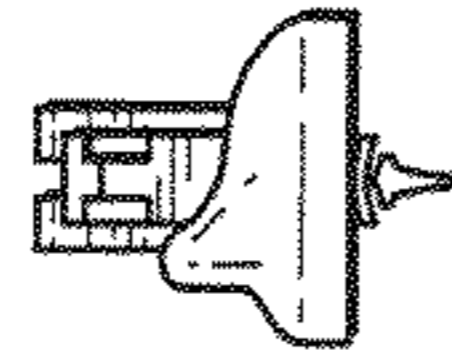


Fig. 5

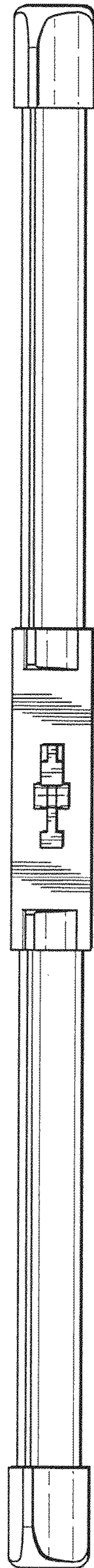


Fig. 6

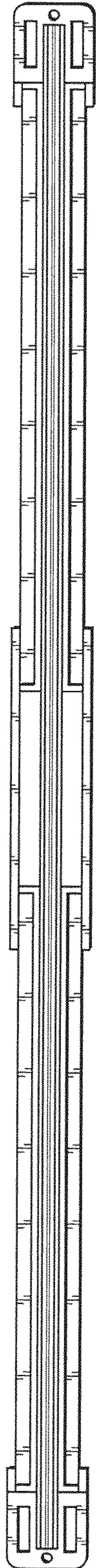


Fig. 7