



US00D704125S

(12) **United States Design Patent**  
**Kani et al.**

(10) **Patent No.:** **US D704,125 S**  
(45) **Date of Patent:** **\*\* May 6, 2014**

(54) **WIPER BLADE**  
(71) Applicant: **PIAA Corporation**, Tokyo (JP)  
(72) Inventors: **Gen Kani**, Tokyo (JP); **Masatoshi Kobayashi**, Tokyo (JP)  
(73) Assignee: **PIAA Corporation**, Bunkyo-Ku, Tokyo (JP)  
(\*\*) Term: **14 Years**  
(21) Appl. No.: **29/435,643**  
(22) Filed: **Oct. 26, 2012**  
(51) **LOC (10) Cl.** ..... **12-06**  
(52) **U.S. Cl.**  
USPC ..... **D12/219**  
(58) **Field of Classification Search**  
USPC ..... D12/219-220; 15/246, 247, 250.001, 15/250.4, 250.361, 250.19, 250.48, 15/250.03, 250.31-250.33, 250.351, 15/250.38, 250.201, 250.451, 250.44  
See application file for complete search history.

(56) **References Cited**  
U.S. PATENT DOCUMENTS  
D680,051 S \* 4/2013 Tolentino et al. .... D12/219  
D685,713 S \* 7/2013 Wang ..... D12/219  
(Continued)

*Primary Examiner* — Katrina A Betton  
(74) *Attorney, Agent, or Firm* — Olson & Cepuritis, Ltd.

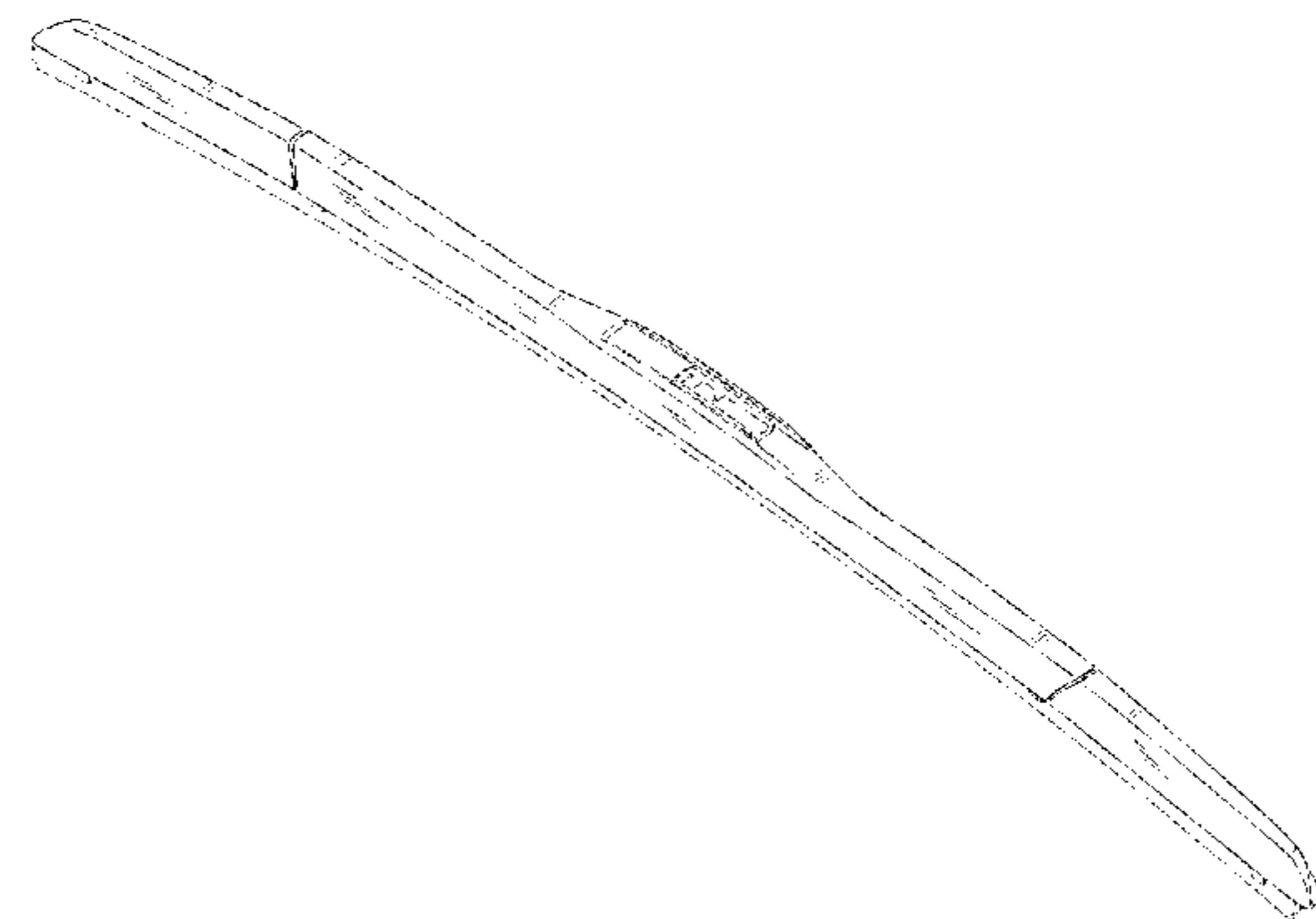
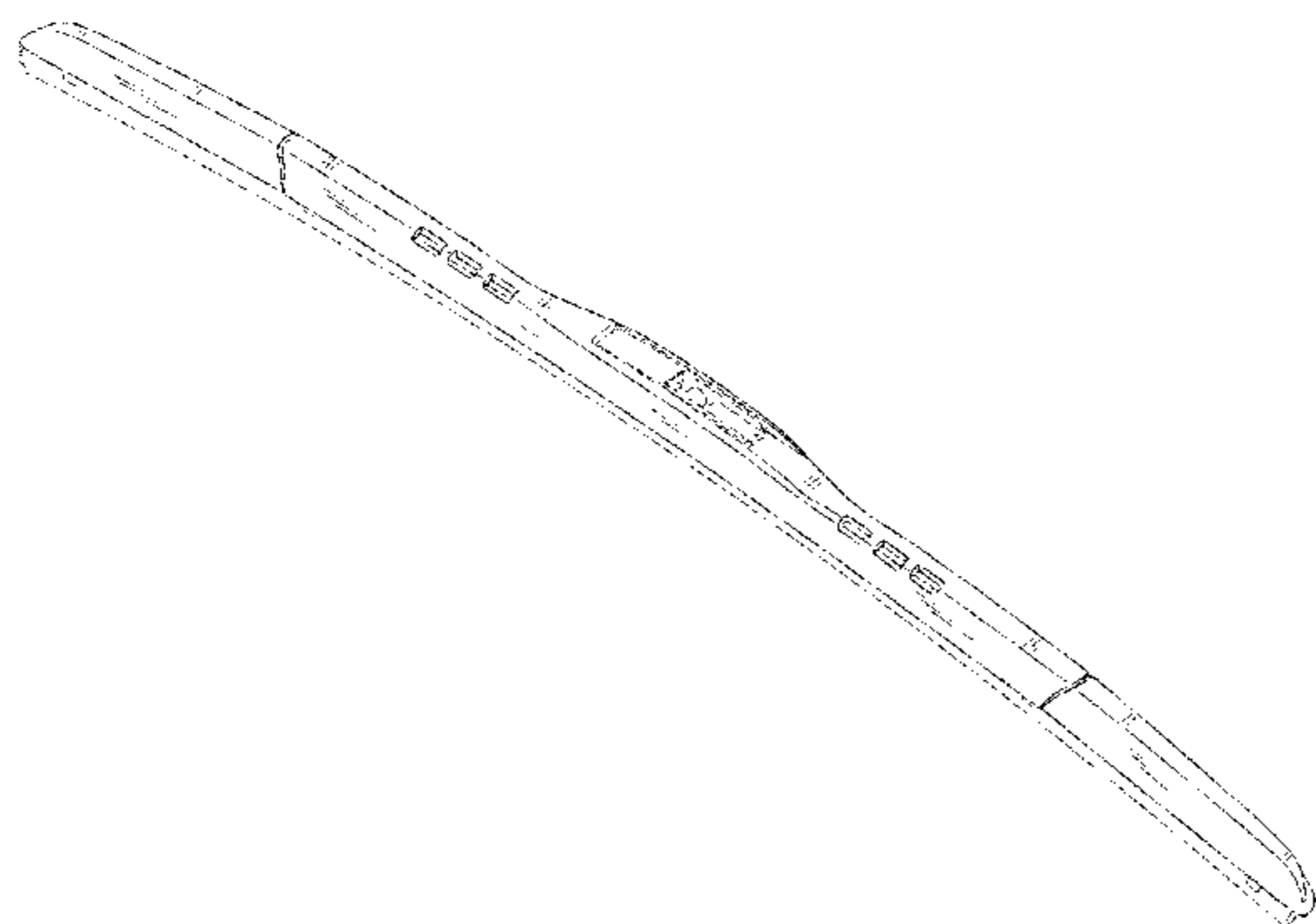
(57) **CLAIM**  
The ornamental design for the wiper blade, as shown and described.

**DESCRIPTION**

FIG. 1 is a front perspective view of a wiper blade showing our new design;  
FIG. 2 is a back perspective of the wiper blade of FIG. 1;  
FIG. 3 is a front elevation view of the wiper blade of FIG. 1;  
FIG. 4 is a back elevation view of the wiper blade of FIG. 1;  
FIG. 5 is an end elevation view of the wiper blade of FIG. 1;  
FIG. 6 is an opposite end elevation view of the wiper blade of FIG. 1;  
FIG. 7 is a top plan view of the wiper blade of FIG. 1;  
FIG. 8 is a top plan view of the wiper blade of FIG. 1 identifying cross-sectional views;

FIG. 9 is a bottom plan view of the wiper blade of FIG. 1;  
FIG. 10 is an enlarged end elevation view of the wiper blade of FIG. 1;  
FIG. 11 is an enlarged opposite end elevation view of the wiper blade of FIG. 1;  
FIG. 12 is an enlarged cross-sectional view of the wiper blade of FIG. 1 along line 12-12 as shown on FIG. 8;  
FIG. 13 is an enlarged cross-sectional view of the wiper blade of FIG. 1 along line 13-13 as shown on FIG. 8;  
FIG. 14 is an enlarged cross-sectional view of the wiper blade of FIG. 1 along line 14-14 as shown on FIG. 8;  
FIG. 15 is an enlarged cross-sectional view of the wiper blade of FIG. 1 along line 15-15 as shown on FIG. 8;  
FIG. 16 is an enlarged cross-sectional view of the wiper blade of FIG. 1 along line 16-16 as shown on FIG. 8;  
FIG. 17 is an enlarged cross-sectional view of the wiper blade of FIG. 1 along line 17-17 as shown on FIG. 8;  
FIG. 18 is an enlarged cross-sectional view of the wiper blade of FIG. 1 along line 18-18 as shown on FIG. 8;  
FIG. 19 is a front perspective view of wiper blade showing another embodiment of our new design;  
FIG. 20 is a back perspective of the wiper blade of FIG. 19;  
FIG. 21 is a front elevation view of the wiper blade of FIG. 19;  
FIG. 22 is a back elevation view of the wiper blade of FIG. 19;  
FIG. 23 is an end elevation view of the wiper blade of FIG. 19;  
FIG. 24 is an opposite end elevation view of the wiper blade of FIG. 19;  
FIG. 25 is a top plan view of the wiper blade of FIG. 19;  
FIG. 26 is a top plan view of the wiper blade of FIG. 19 identifying cross-sectional views;  
FIG. 27 is a bottom plan view of the wiper blade of FIG. 19;  
FIG. 28 is an enlarged end elevation view of the wiper blade of FIG. 19;  
FIG. 29 is an enlarged opposite end elevation view of the wiper blade of FIG. 19;  
FIG. 30 is an enlarged cross-sectional view of the wiper blade of FIG. 19 along line 30-30 as shown on FIG. 26;  
FIG. 31 is an enlarged cross-sectional view of the wiper blade of FIG. 19 along line 31-31 as shown on FIG. 26;  
FIG. 32 is an enlarged cross-sectional view of the wiper blade of FIG. 19 along line 32-32 as shown on FIG. 26;  
FIG. 33 is an enlarged cross-sectional view of the wiper blade of FIG. 19 along line 33-33 as shown on FIG. 26;  
FIG. 34 is an enlarged cross-sectional view of the wiper blade of FIG. 19 along line 34-34 as shown on FIG. 26;  
FIG. 35 is an enlarged cross-sectional view of the wiper blade of FIG. 19 along line 35-35 as shown on FIG. 26; and,  
FIG. 36 is an enlarged cross-sectional view of the wiper blade of FIG. 19 along line 36-36 as shown on FIG. 26.  
The broken lines in the drawings represent environmental subject matter and form no part of the claimed design.

**1 Claim, 12 Drawing Sheets**



# US D704,125 S

Page 2

---

(56)

## References Cited

### U.S. PATENT DOCUMENTS

D686,555 S \* 7/2013 Song et al. .... D12/219  
D686,556 S \* 7/2013 Song et al. .... D12/219  
D686,557 S \* 7/2013 Kwon ..... D12/219

D687,363 S \* 8/2013 An ..... D12/219  
D687,759 S \* 8/2013 An ..... D12/219  
D688,617 S \* 8/2013 An ..... D12/219  
D695,673 S \* 12/2013 Kim ..... D12/219

\* cited by examiner

Fig. 1

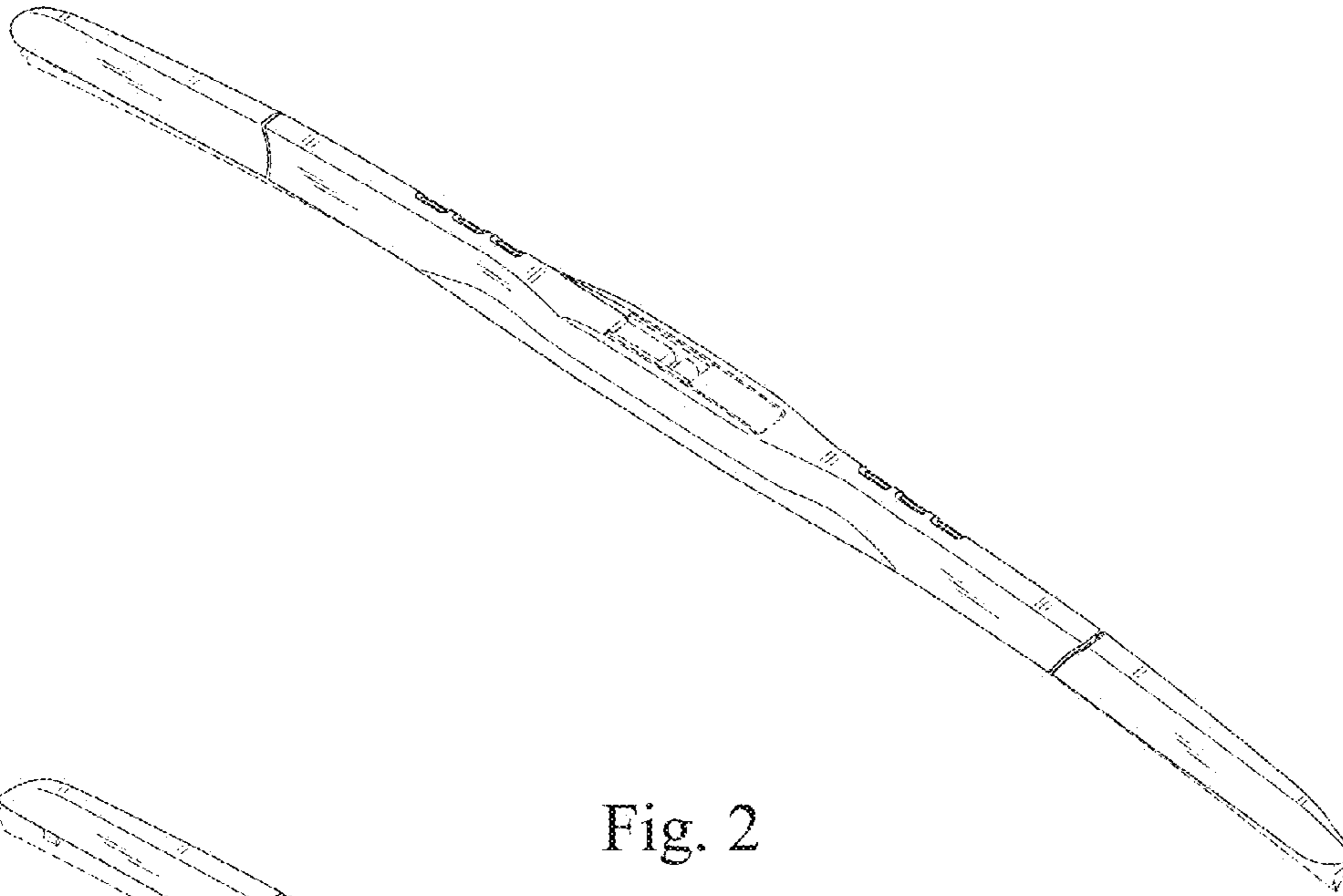


Fig. 2

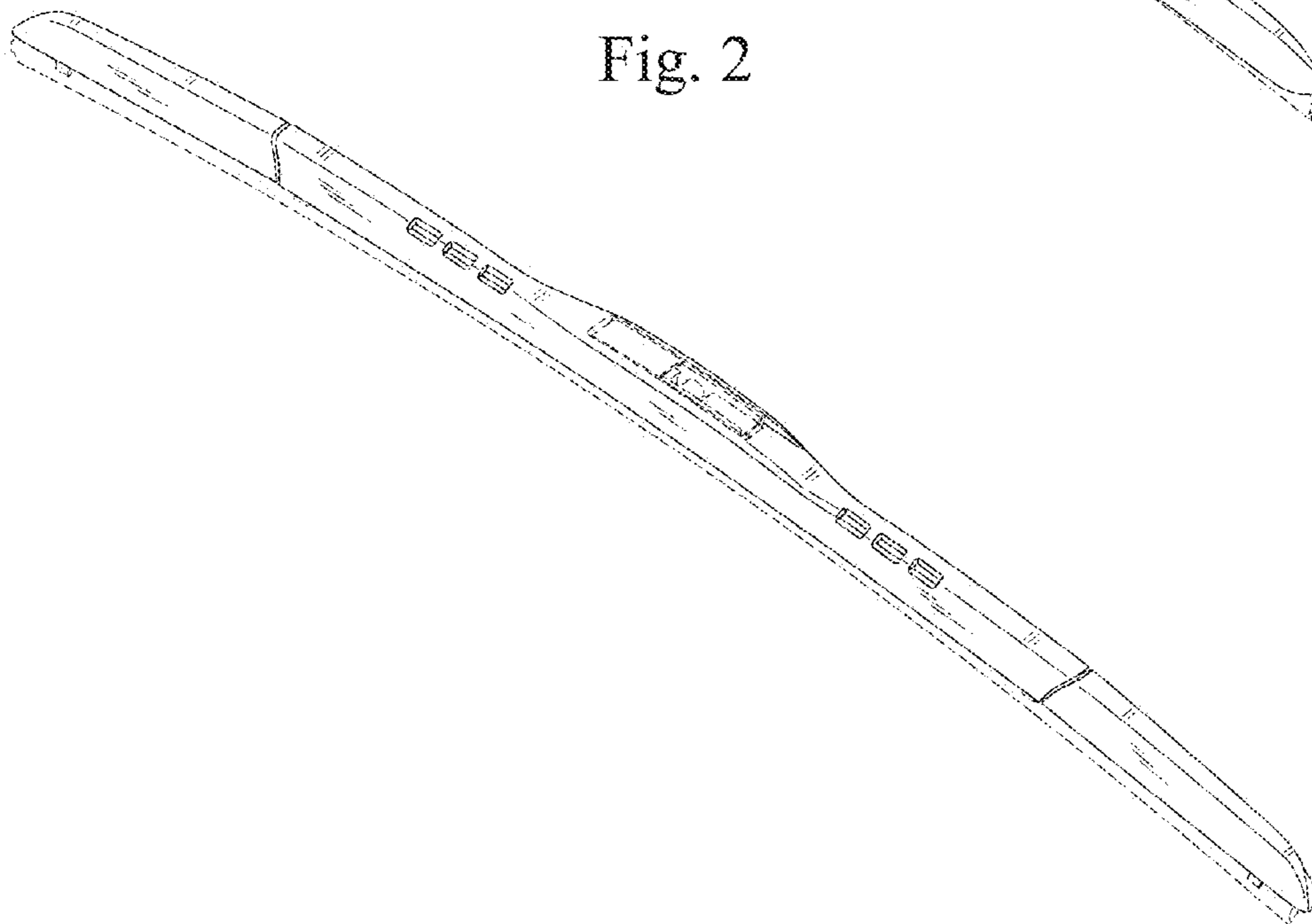


Fig. 3

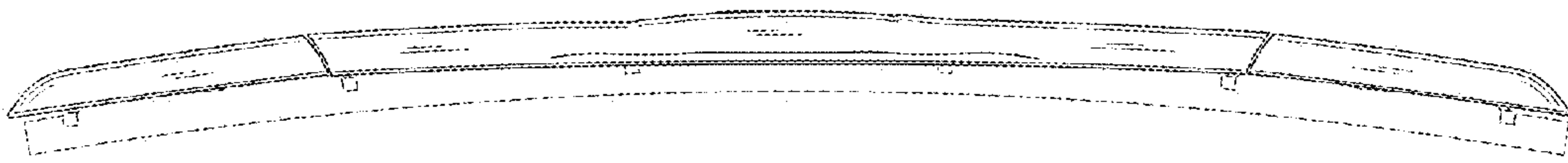


Fig. 4

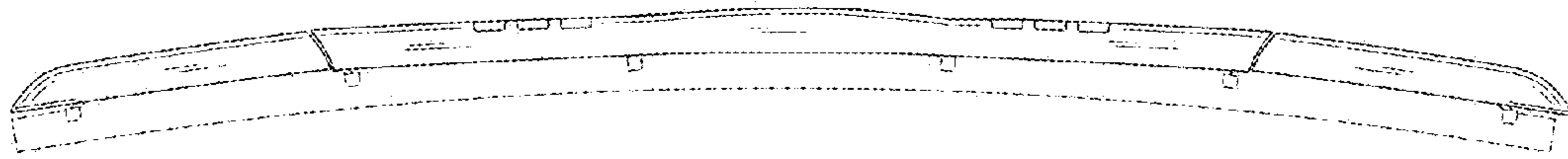


Fig. 5



Fig. 6



Fig. 7



Fig. 8

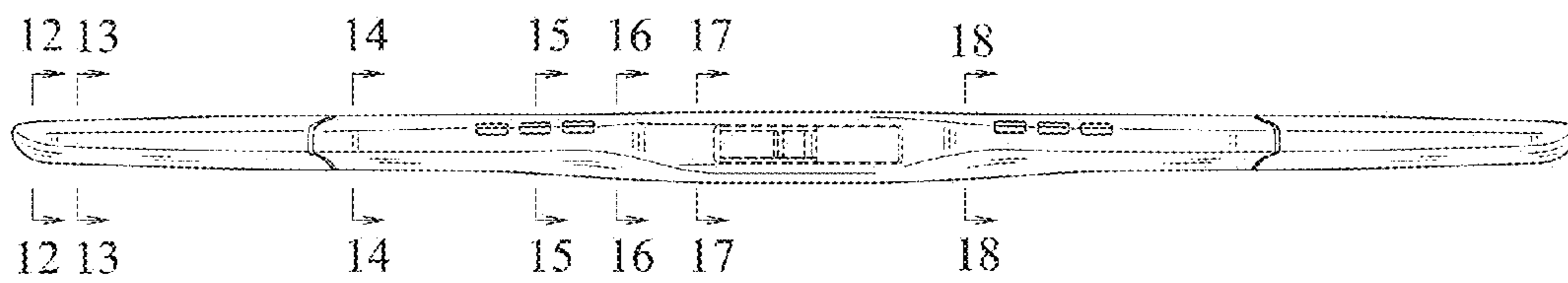


Fig. 9

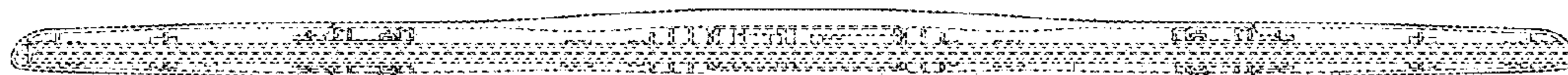


Fig. 10

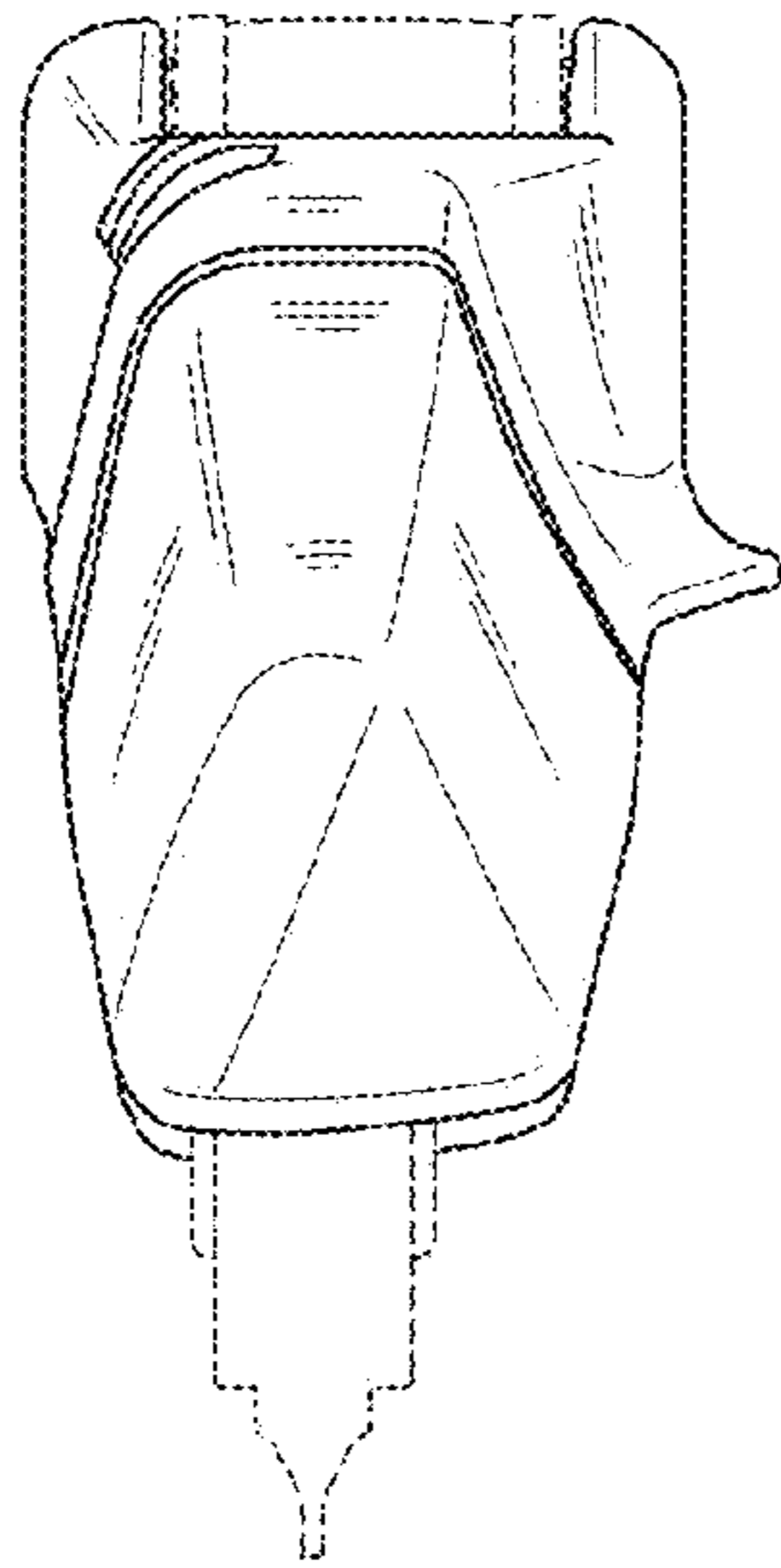


Fig. 11

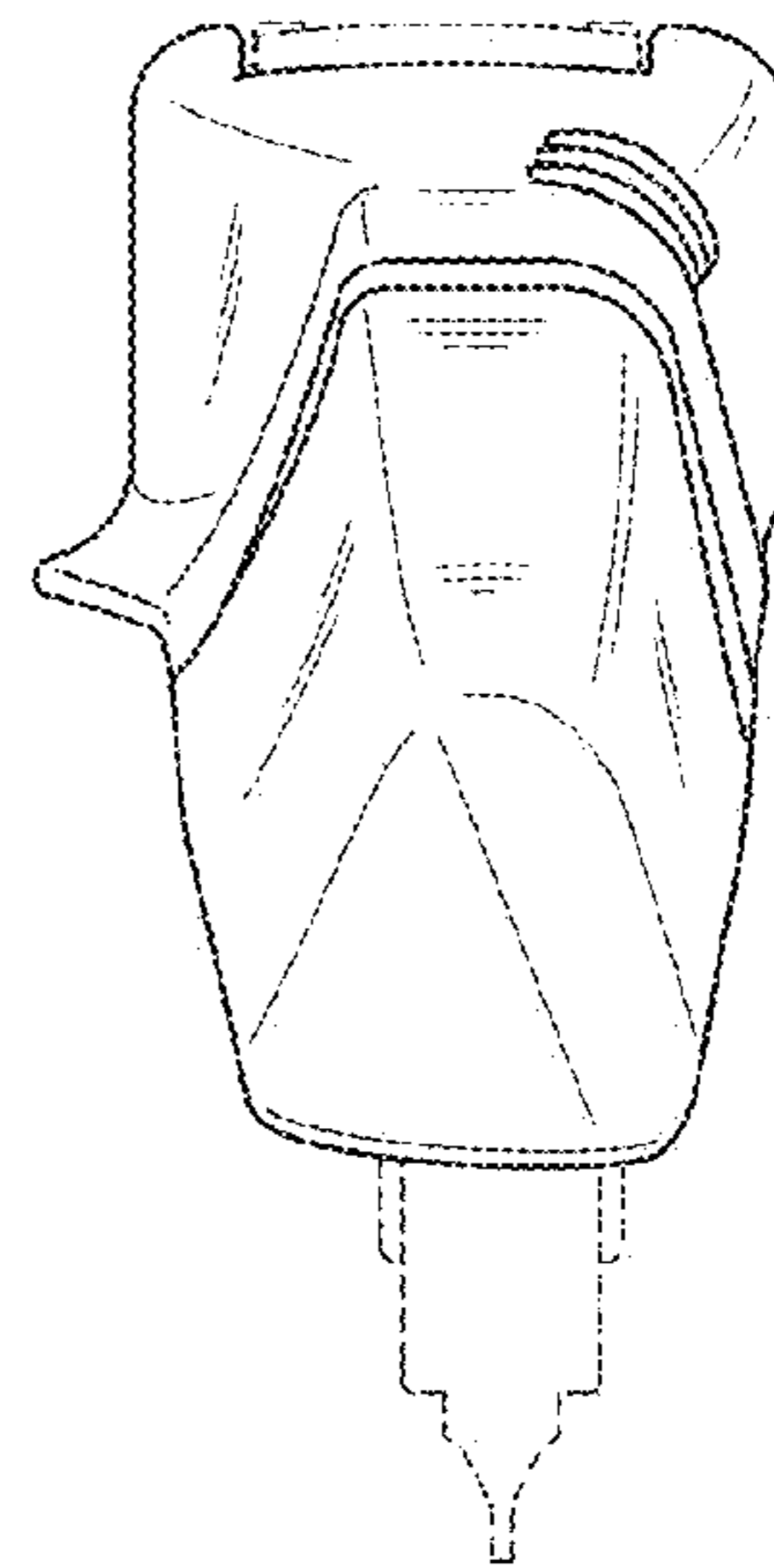


Fig. 12

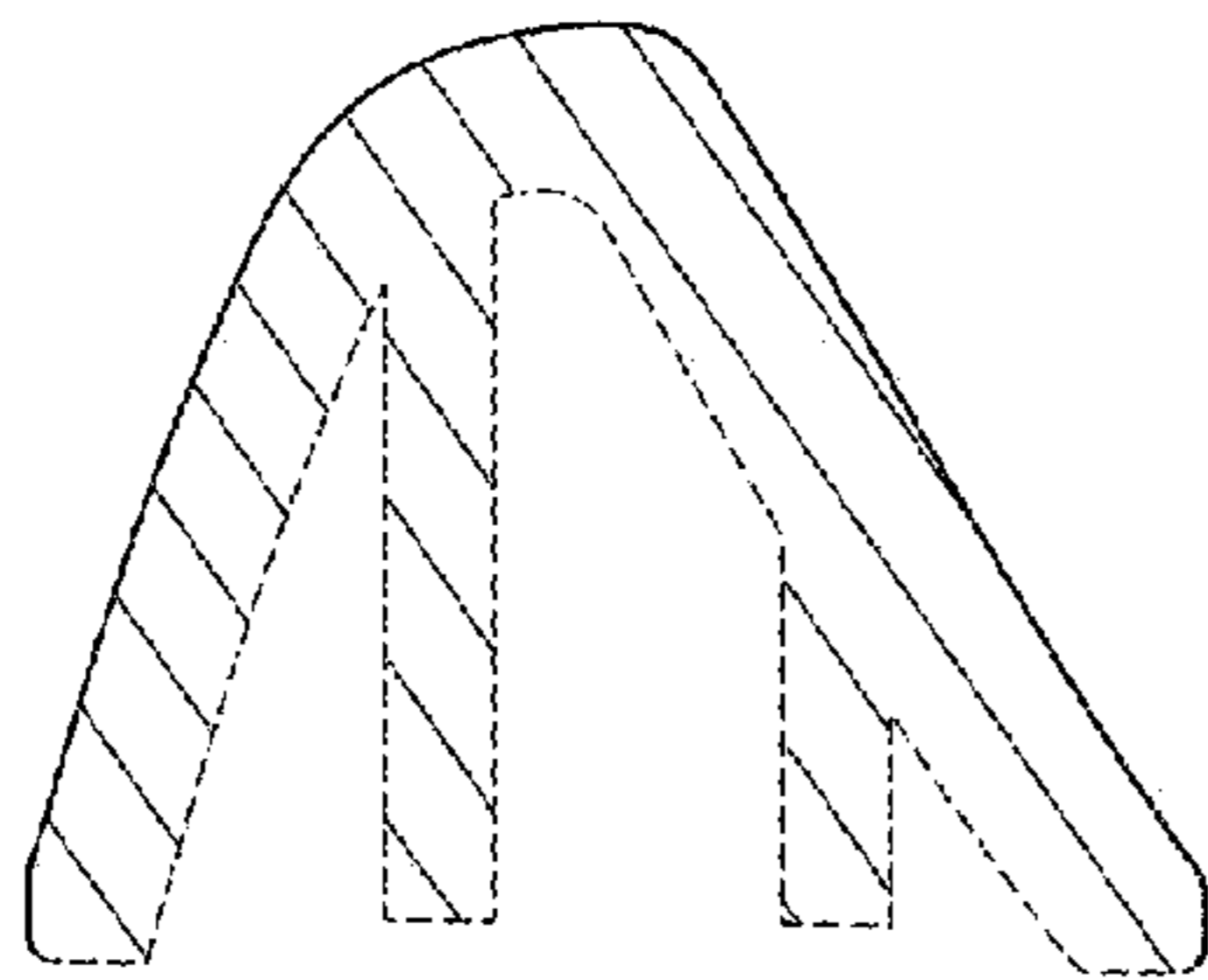


Fig. 13

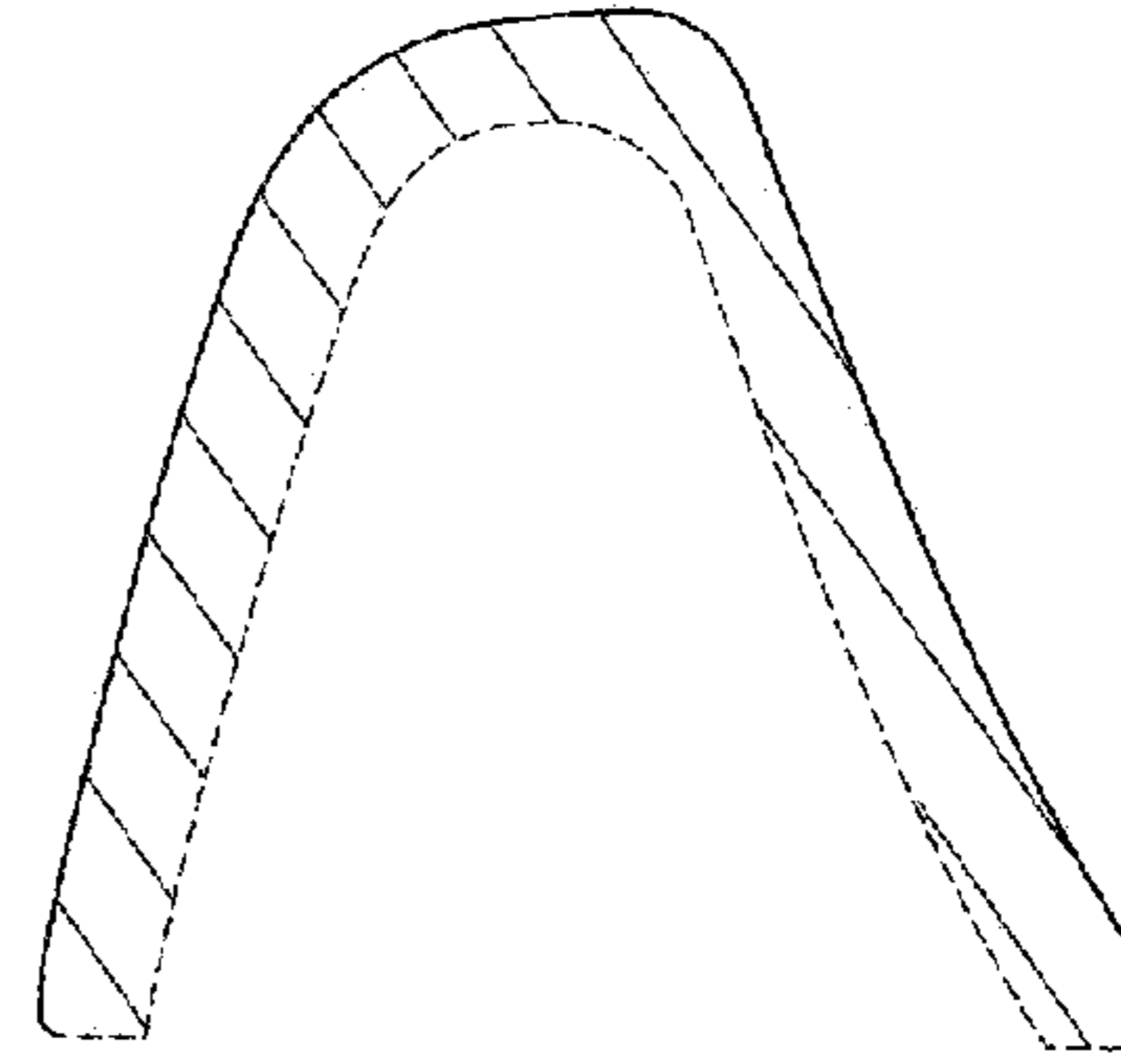


Fig. 14

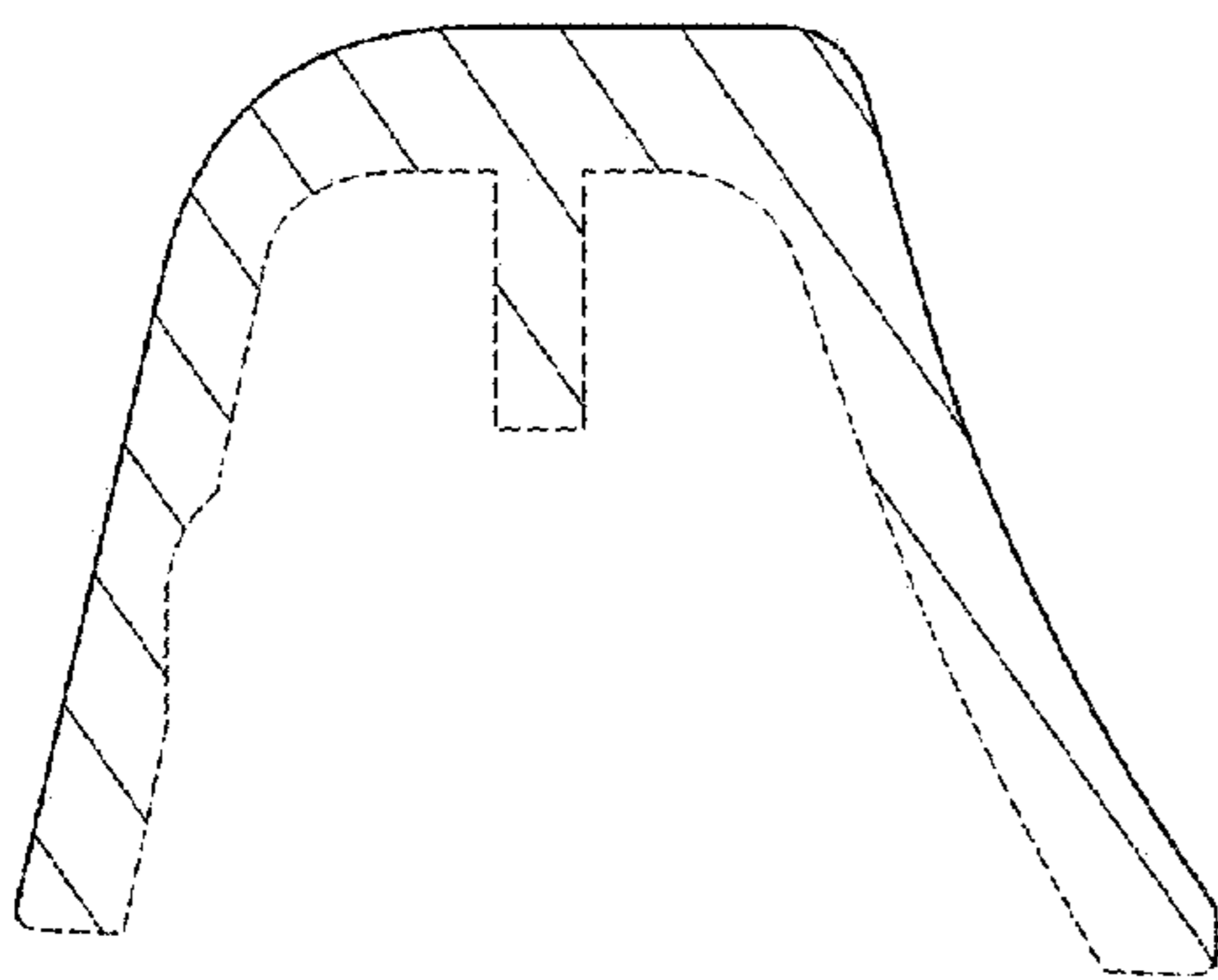


Fig. 15

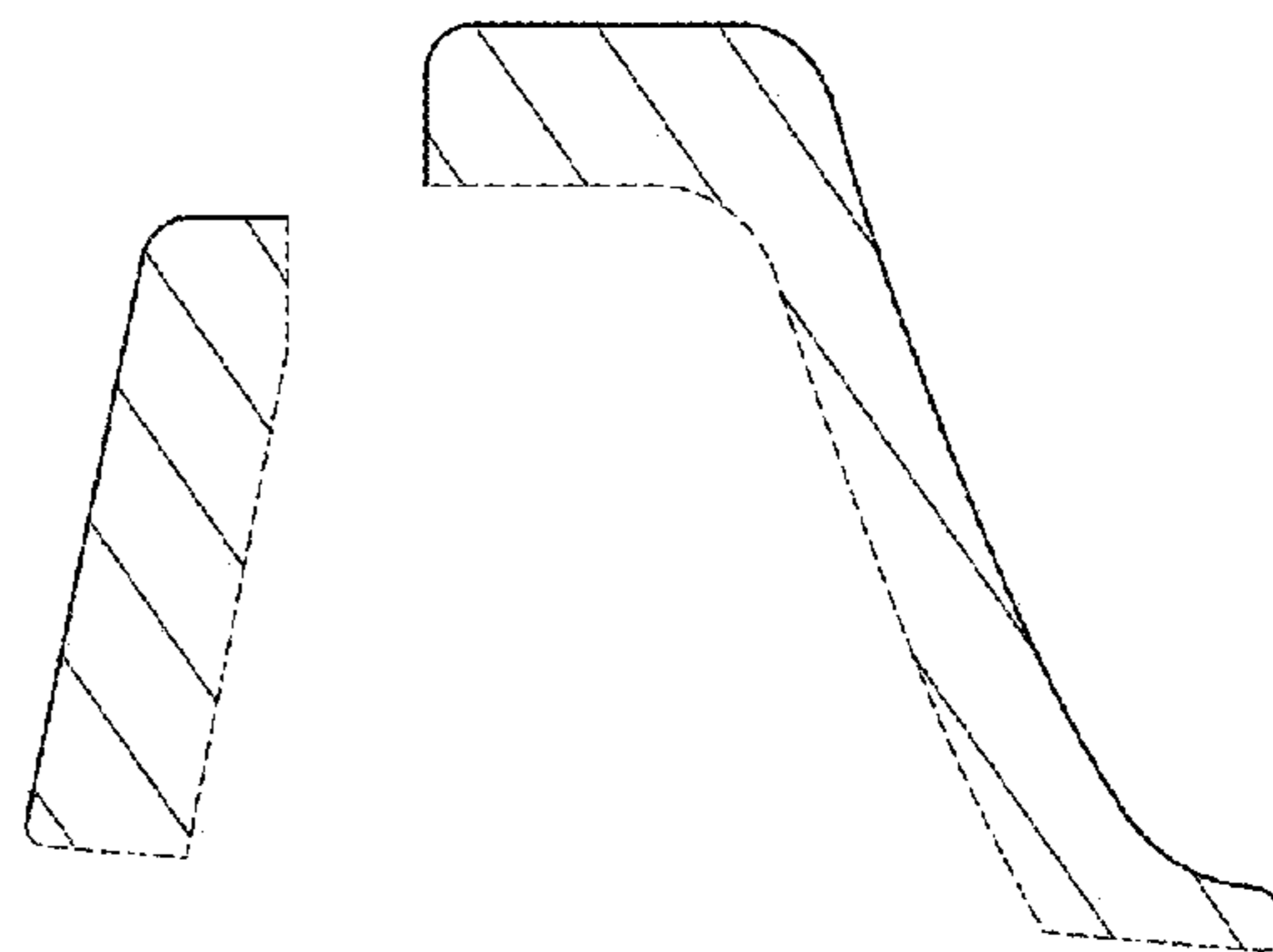


Fig. 16

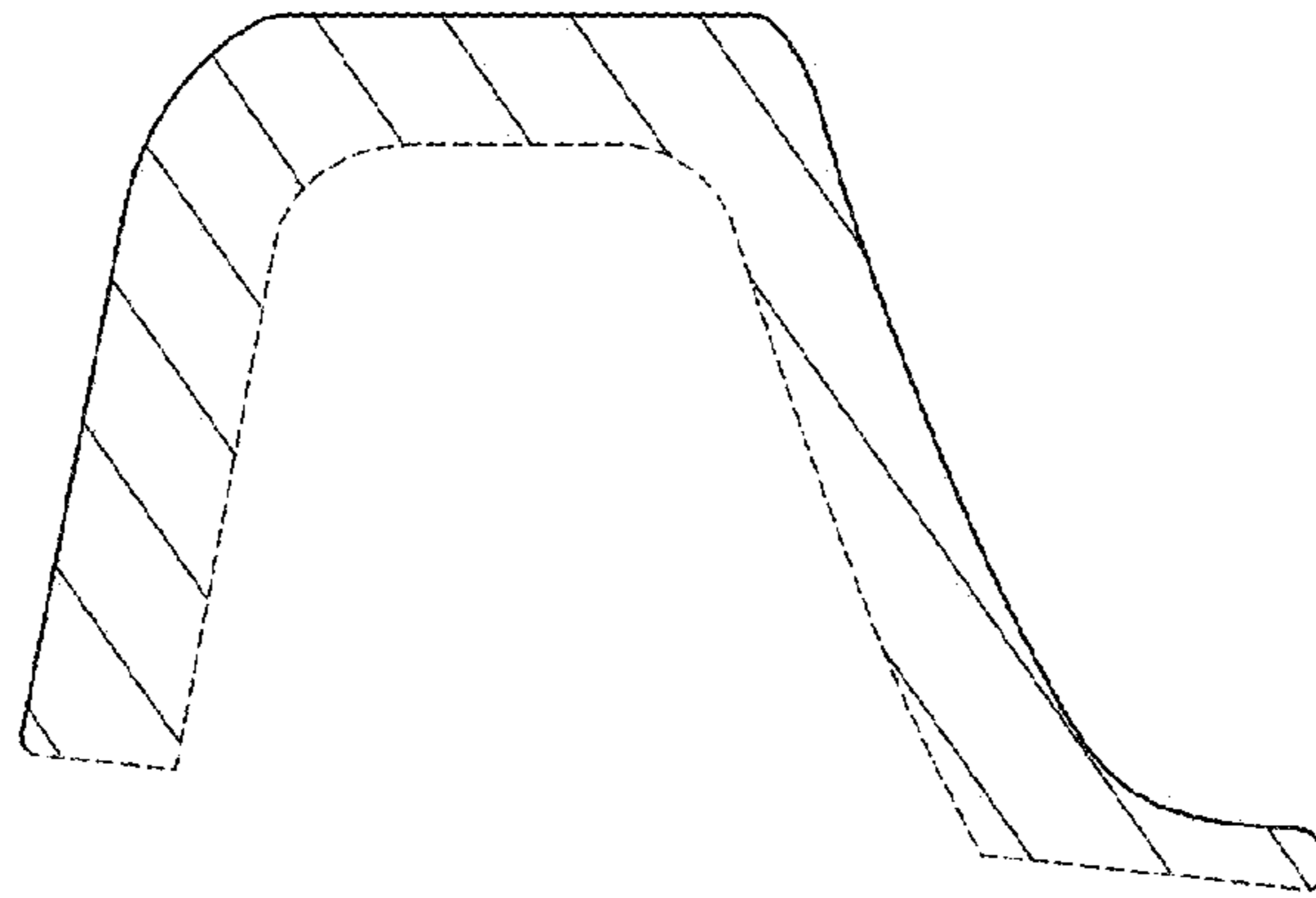


Fig. 17

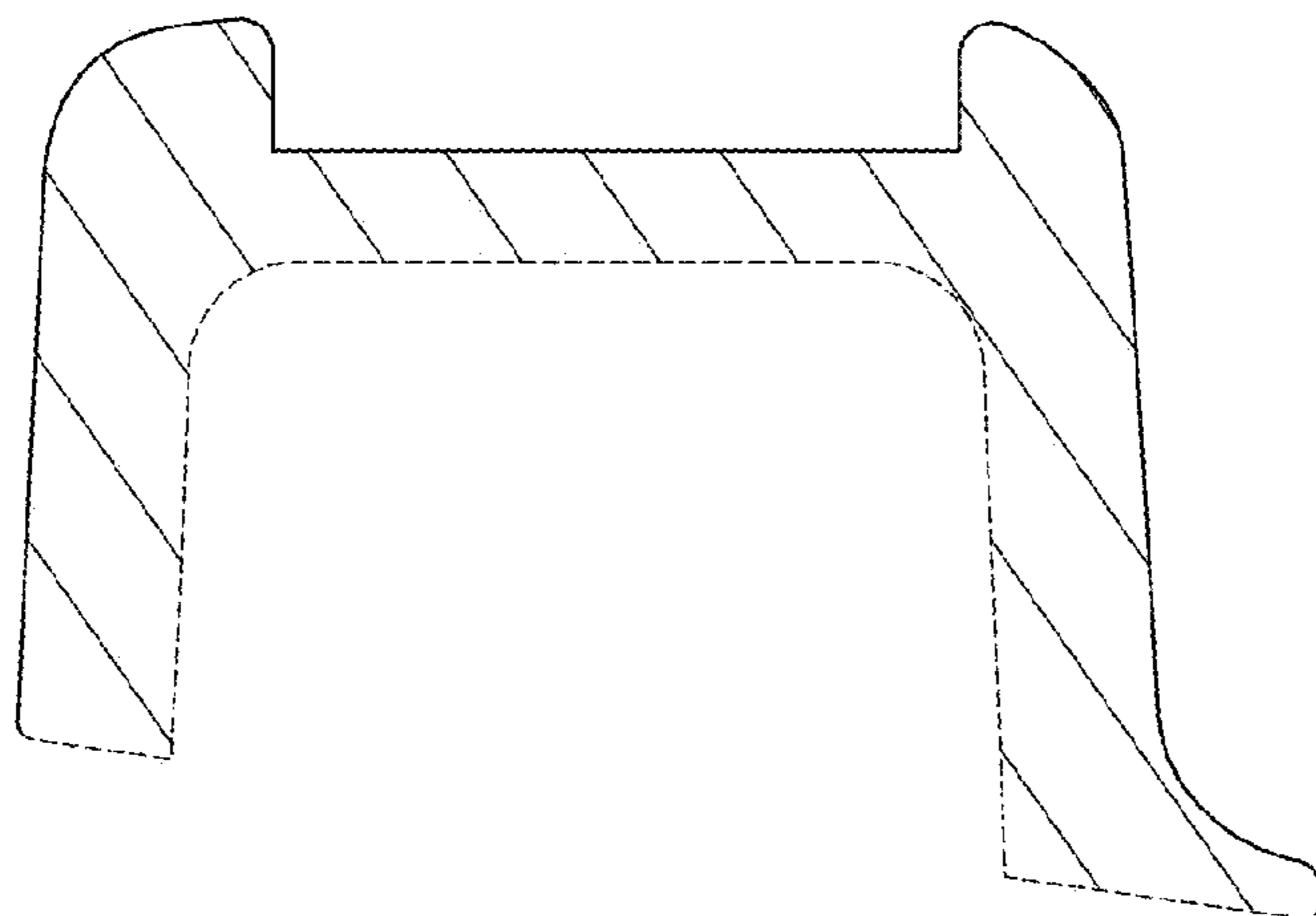


Fig. 18

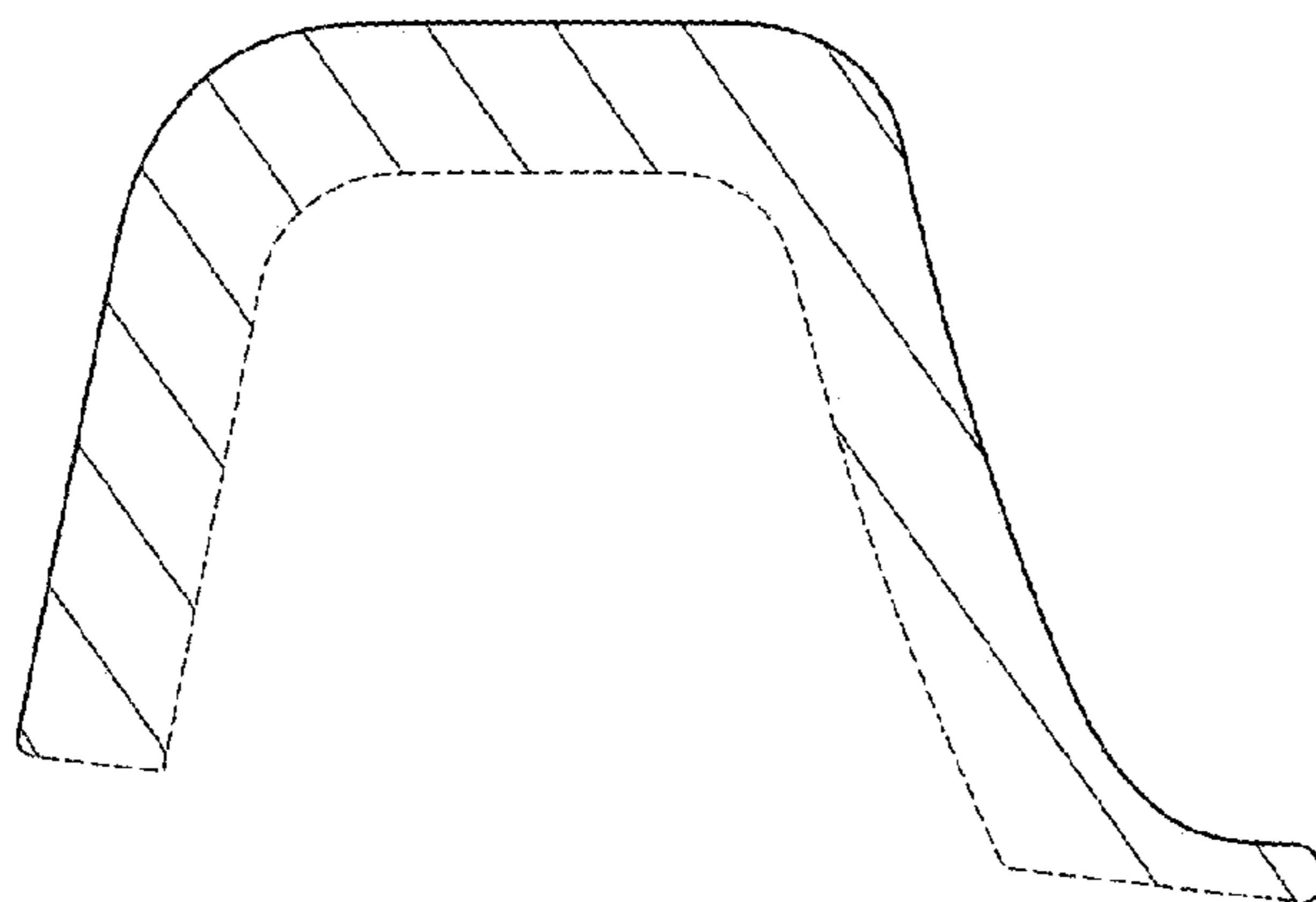




Fig. 19

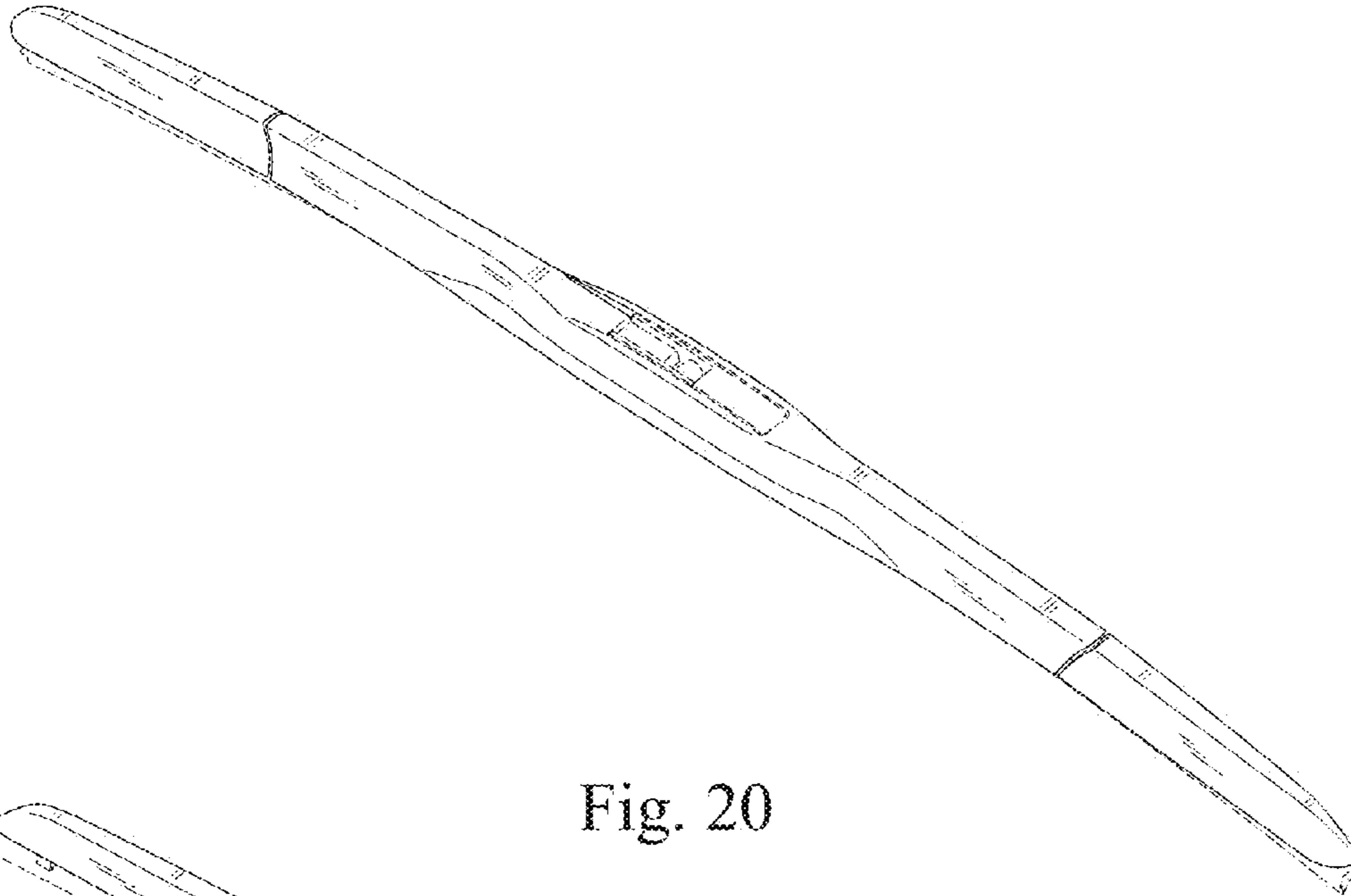


Fig. 20

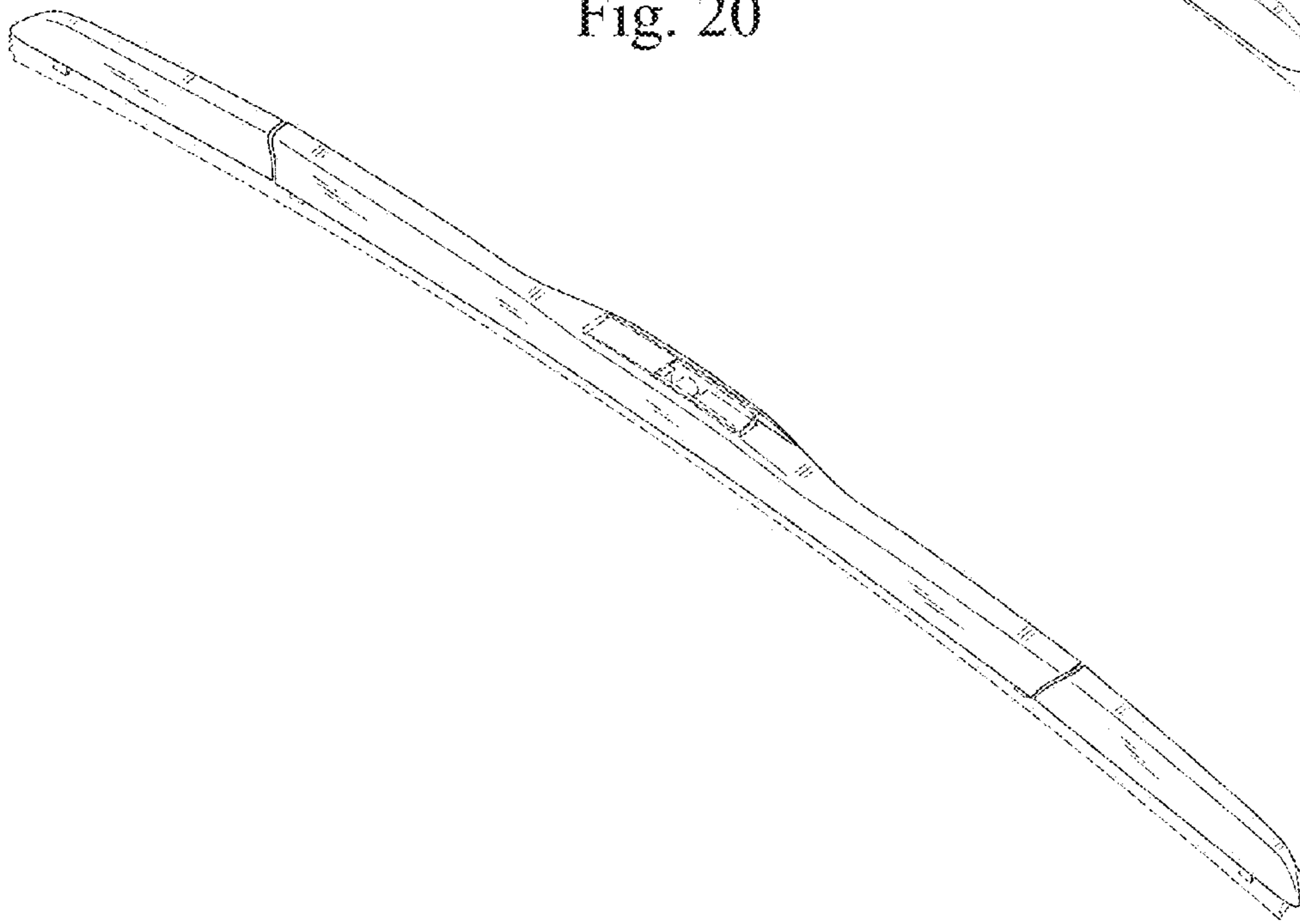


Fig. 21

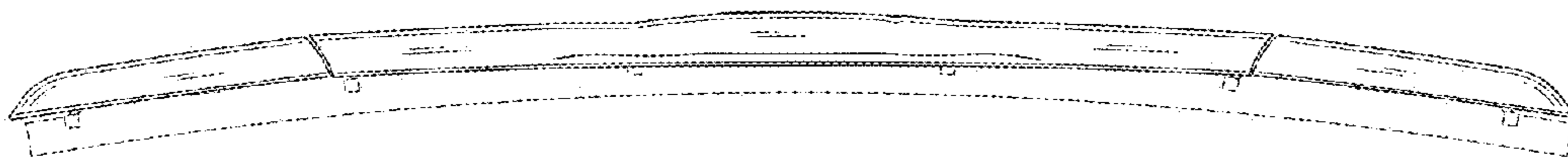


Fig. 22

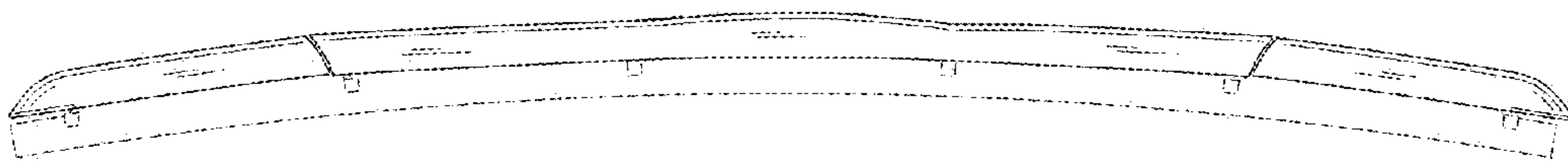


Fig. 23



Fig. 24



Fig. 25

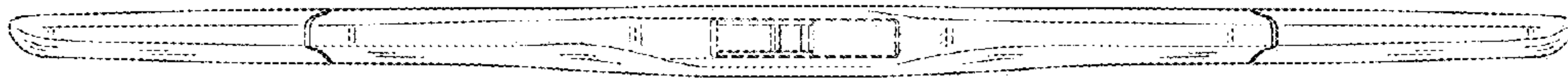


Fig. 26

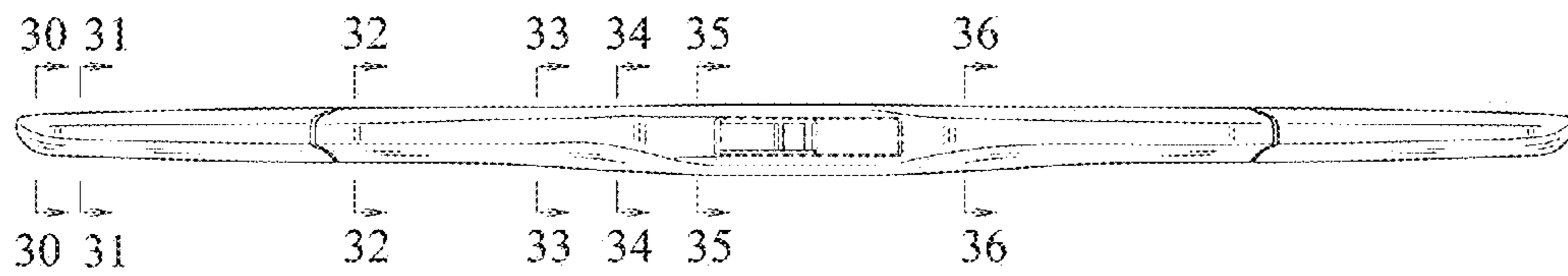


Fig. 27

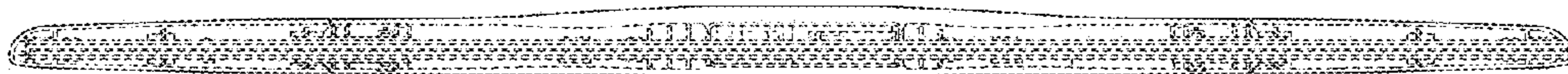


Fig. 28

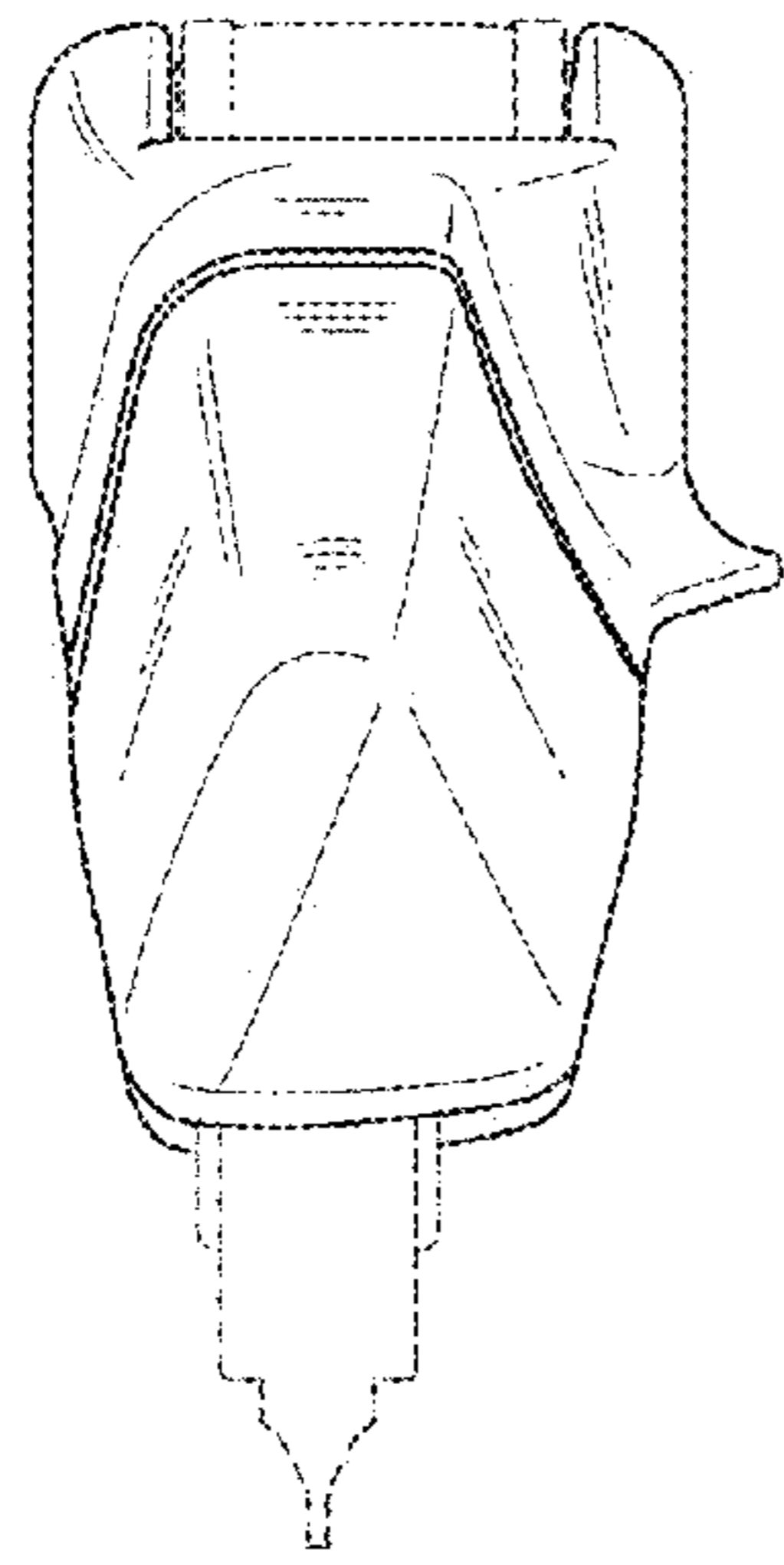


Fig. 29

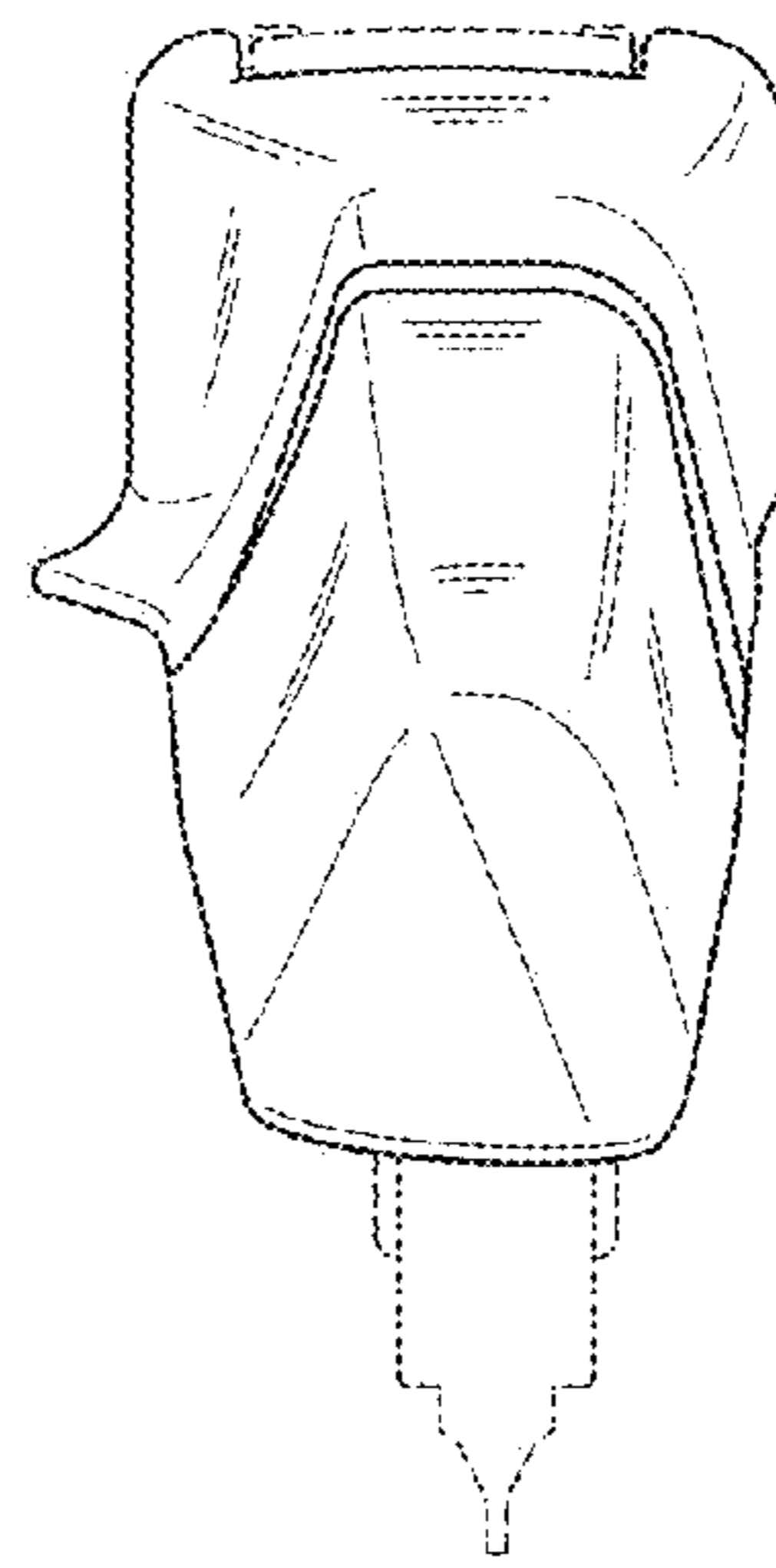


Fig. 30

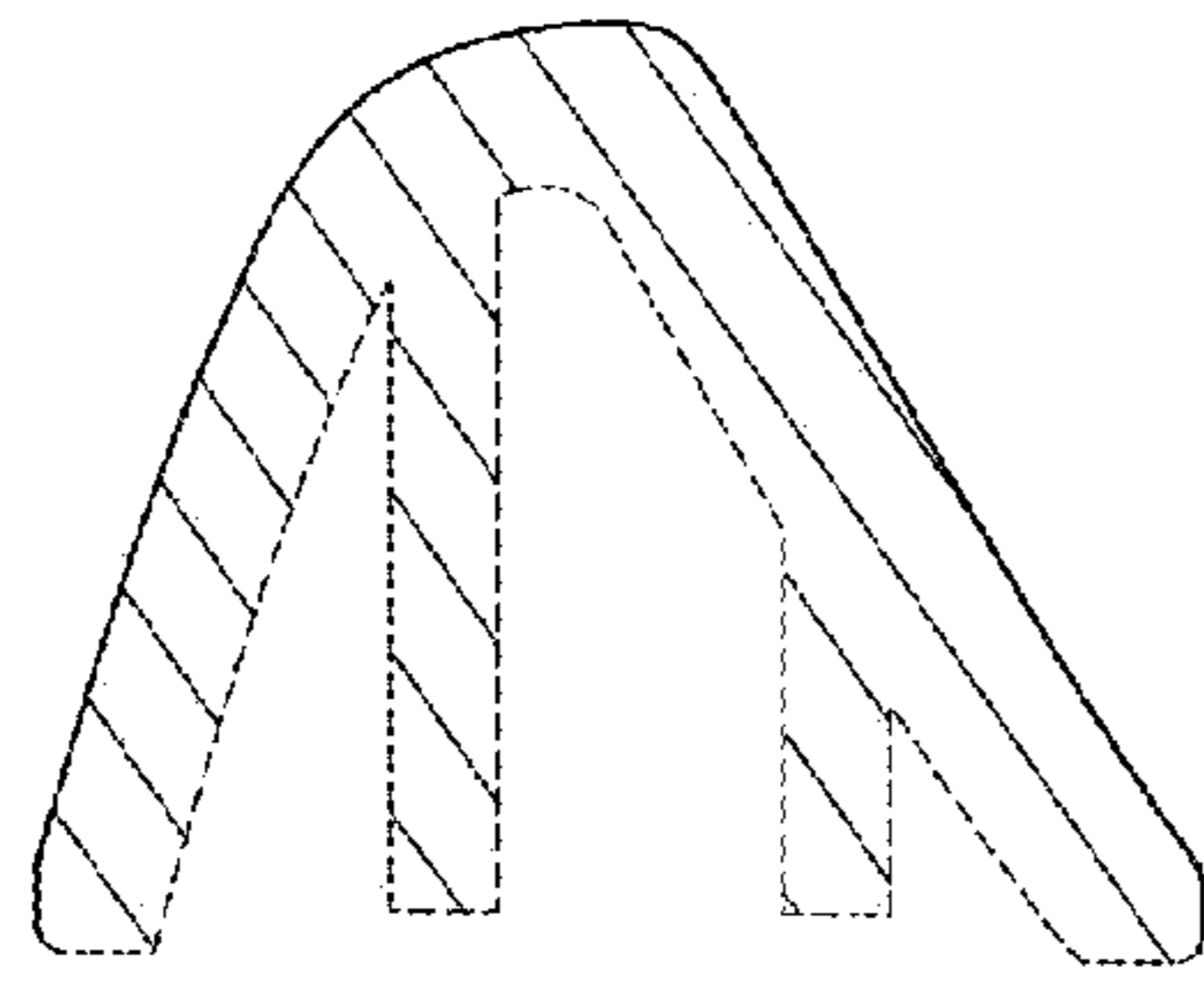


Fig. 31

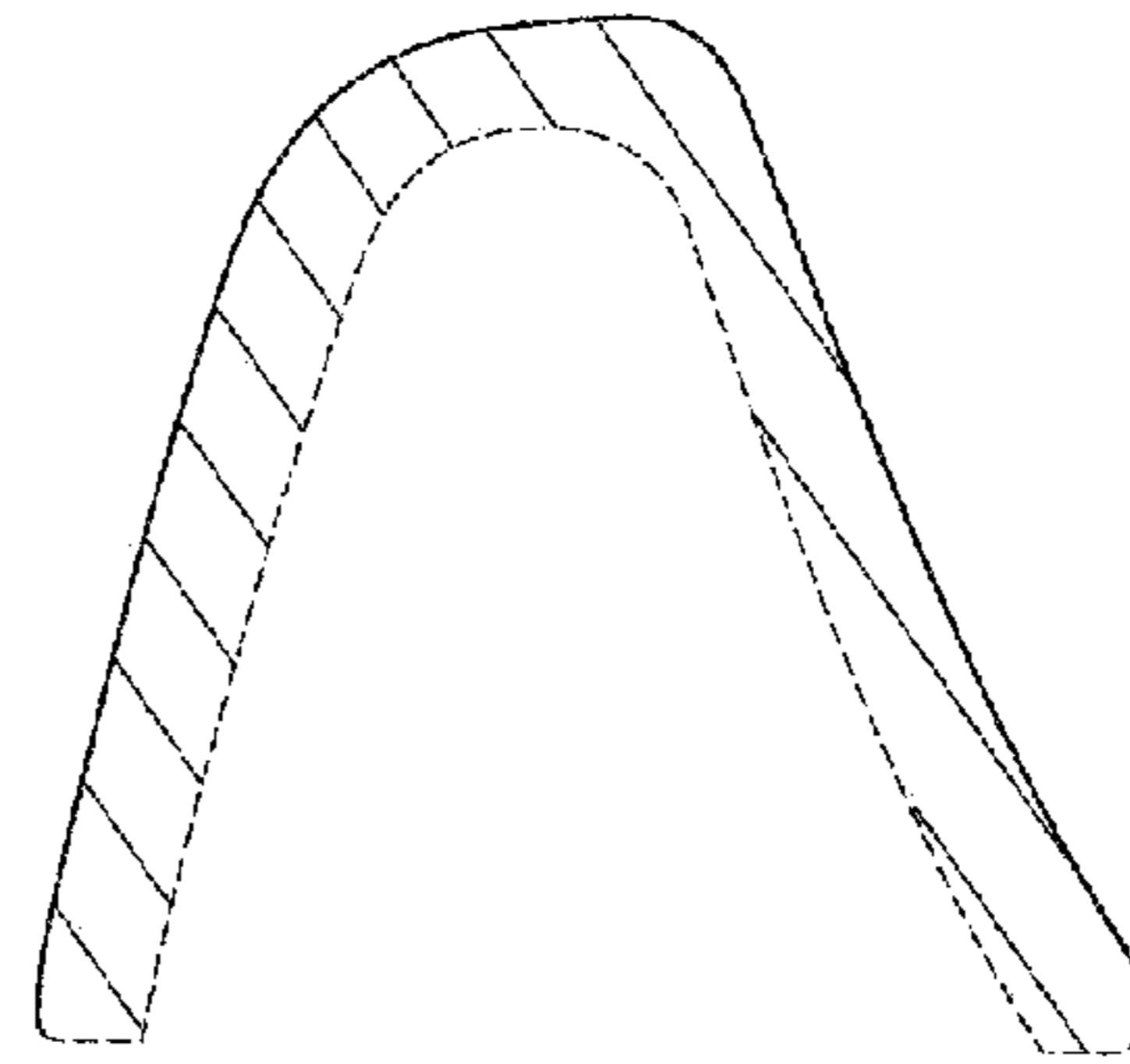


Fig. 32

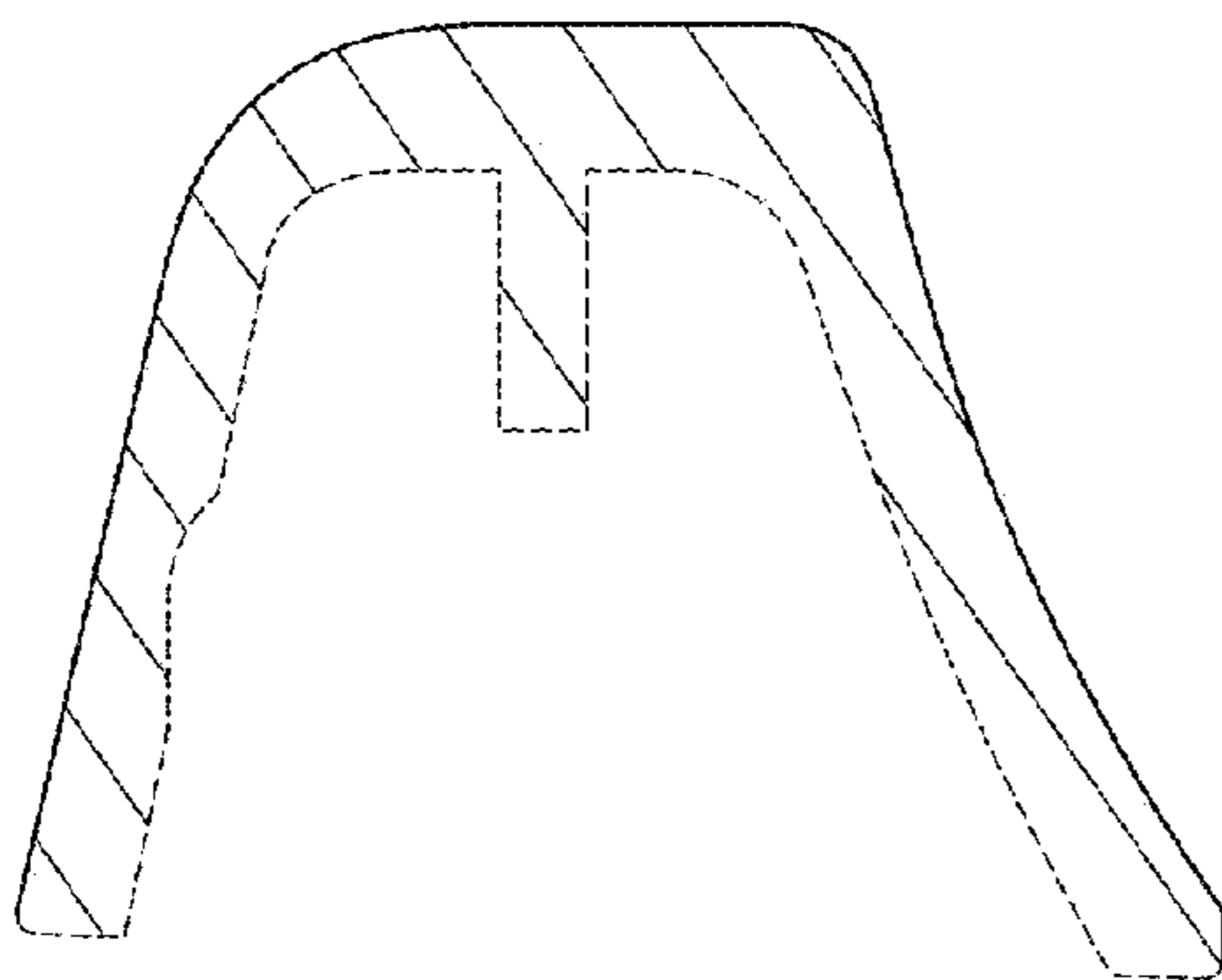


Fig. 33

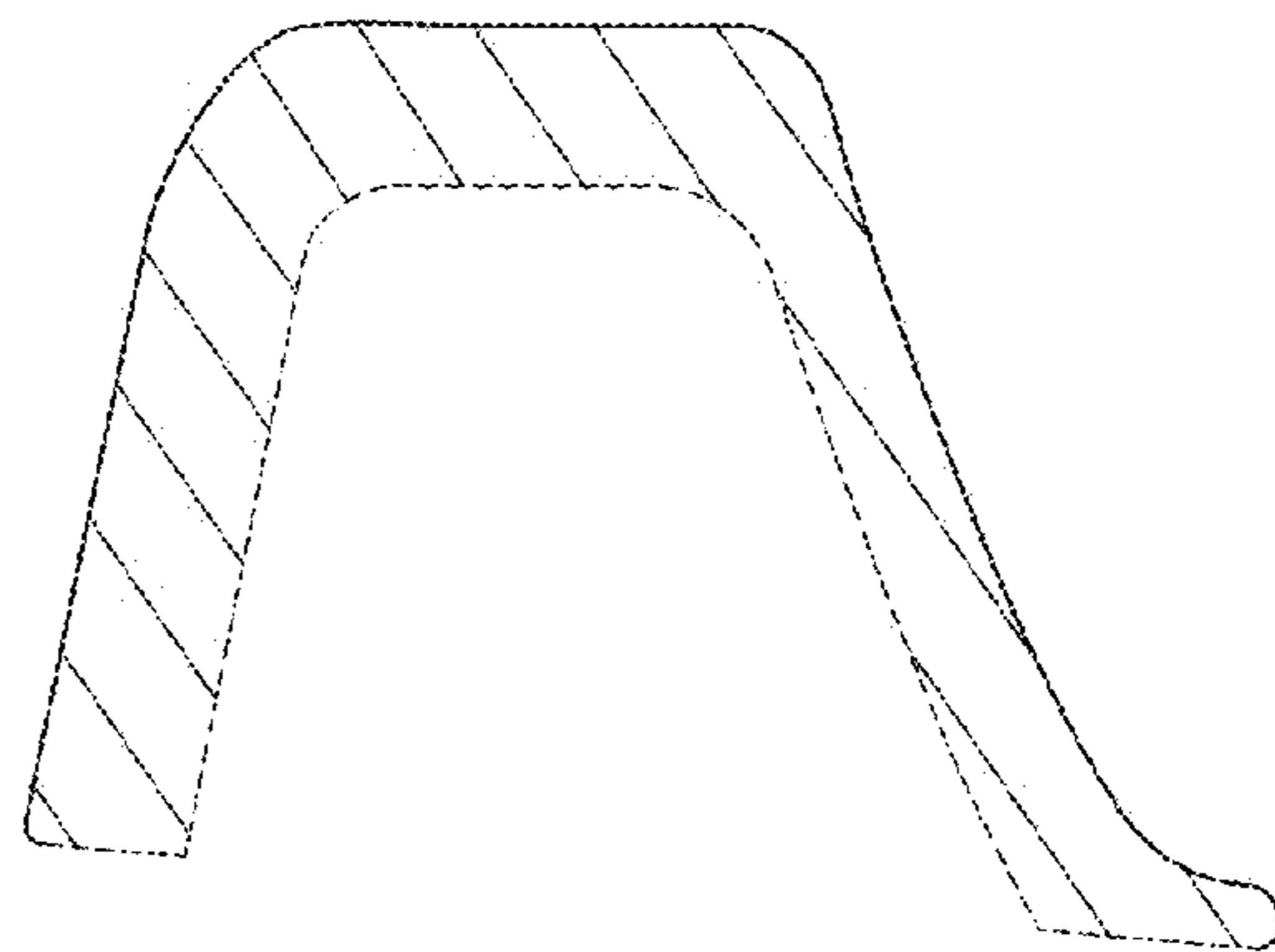


Fig. 34

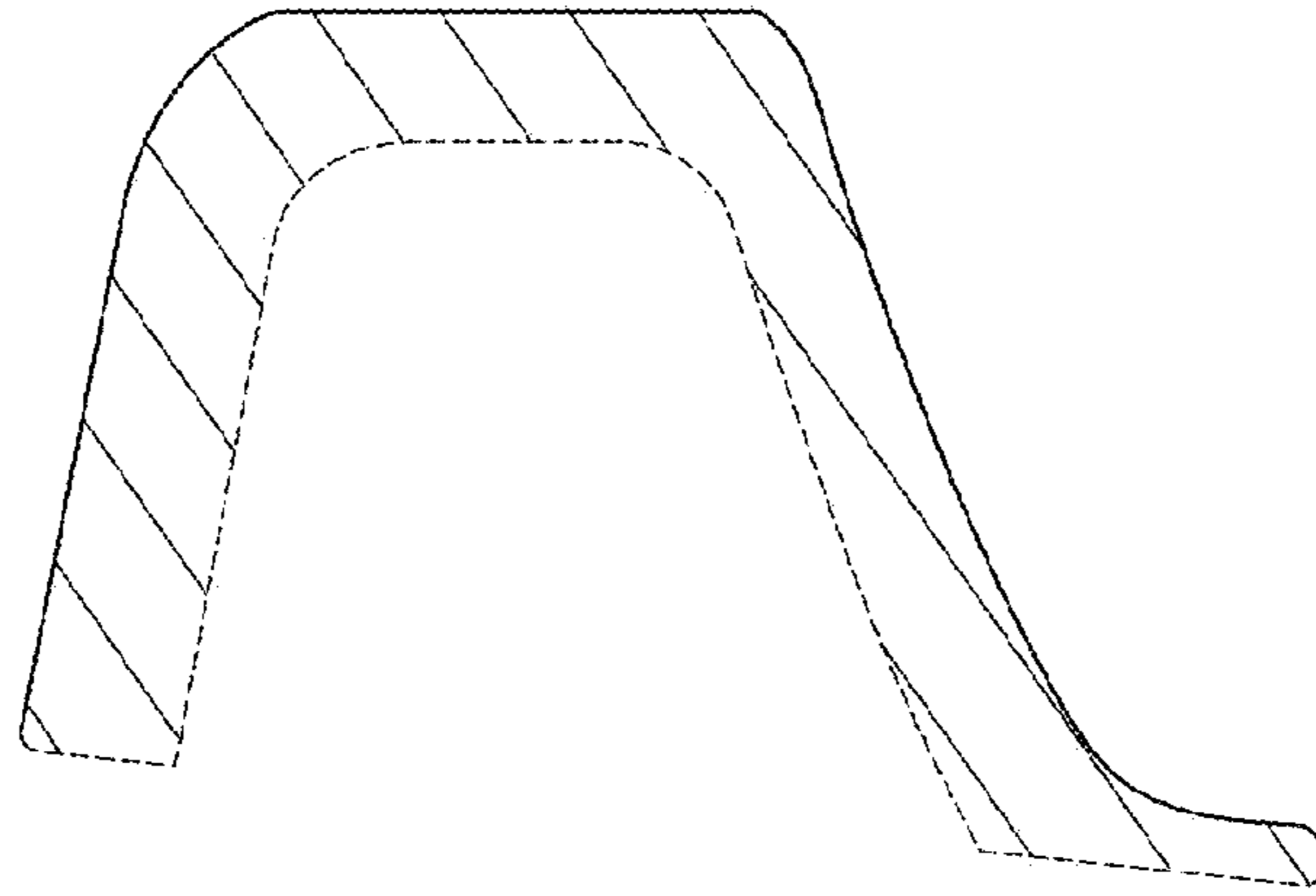


Fig. 35

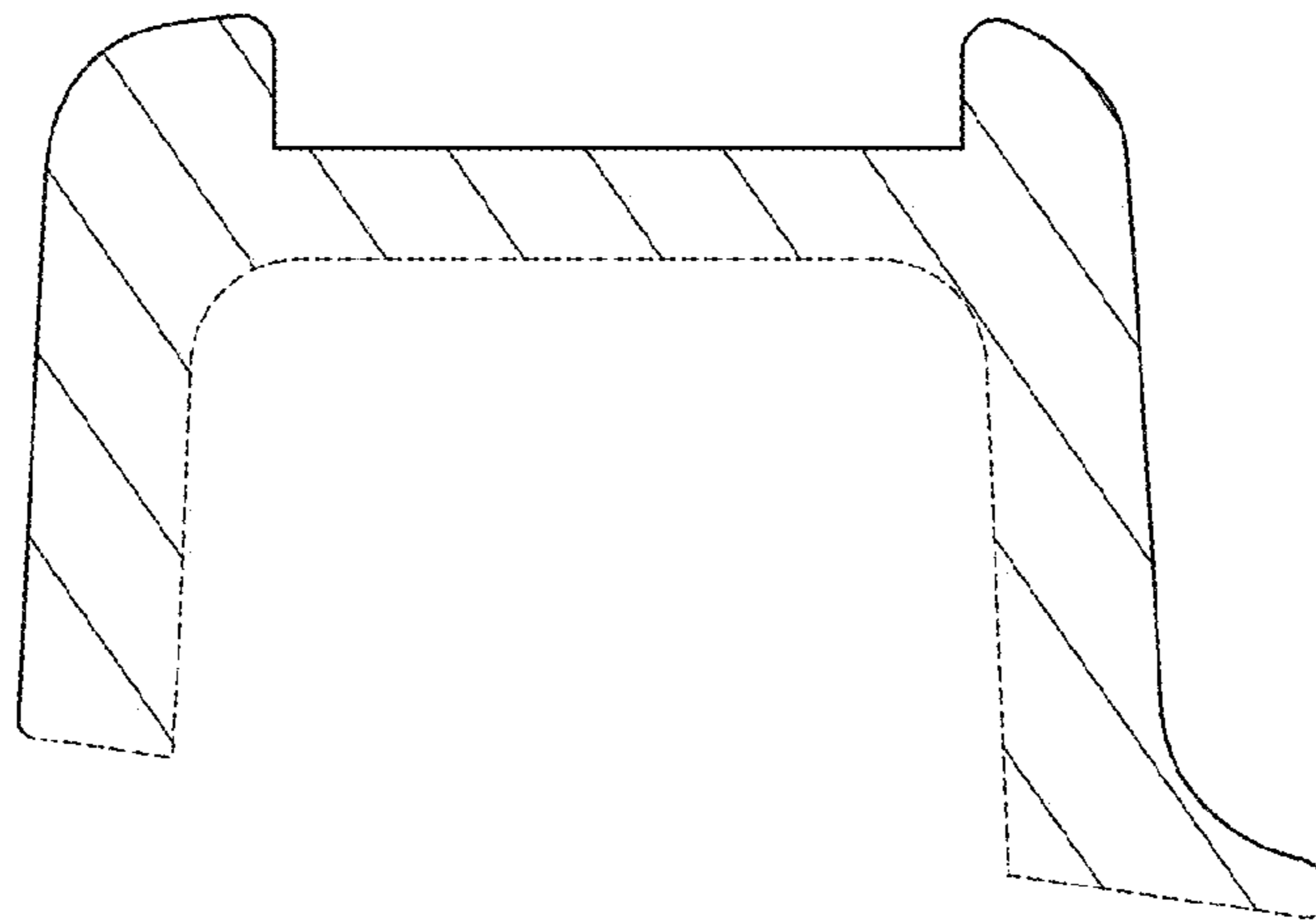


Fig. 36

