



US00D704123S

(12) **United States Design Patent**  
**Rahman**

(10) **Patent No.:** **US D704,123 S**

(45) **Date of Patent:** **\*\* May 6, 2014**

(54) **WHEEL**

(71) Applicant: **Hero Off-Road, LLC**, Carol Stream, IL  
(US)

(72) Inventor: **Nekibur Rahman**, Noida, IN (US)

(73) Assignee: **Hero Off-Road, LLC**, Carol Steam, IL  
(US)

(\*\*) Term: **14 Years**

(21) Appl. No.: **29/479,559**

(22) Filed: **Jan. 17, 2014**

(51) **LOC (10) Cl.** ..... **12-16**

(52) **U.S. Cl.**  
USPC ..... **D12/211**

(58) **Field of Classification Search**  
USPC ..... D12/204-213; 301/37.101, 64.101, 65,  
301/64.201

See application file for complete search history.

(56) **References Cited**

U.S. PATENT DOCUMENTS

D423,445 S *	4/2000	Baumgartner	.....	D12/211
D644,156 S *	8/2011	Johnson	.....	D12/209
D659,069 S *	5/2012	Johnson	.....	D12/211
D669,009 S *	10/2012	Chung	.....	D12/211
D686,963 S *	7/2013	Hale, Jr.	.....	D12/211
D691,545 S *	10/2013	Gordon	.....	D12/211
D695,193 S *	12/2013	Kong	.....	D12/211
D695,195 S *	12/2013	Chung	.....	D12/211
D698,299 S *	1/2014	Chung	.....	D12/211
D698,300 S *	1/2014	Chung	.....	D12/211

\* cited by examiner

*Primary Examiner* — Stacia Cadmus

(74) *Attorney, Agent, or Firm* — Clark Hill PLC

(57) **CLAIM**

The ornamental design for a wheel, as shown and described.

**DESCRIPTION**

FIG. 1 is a front view of the wheel; and, FIG. 2 is a perspective view of the wheel. The broken line showing the rear portion of the wheel is included for the purpose of illustrating environment and forms no part of the claimed design.

**1 Claim, 2 Drawing Sheets**

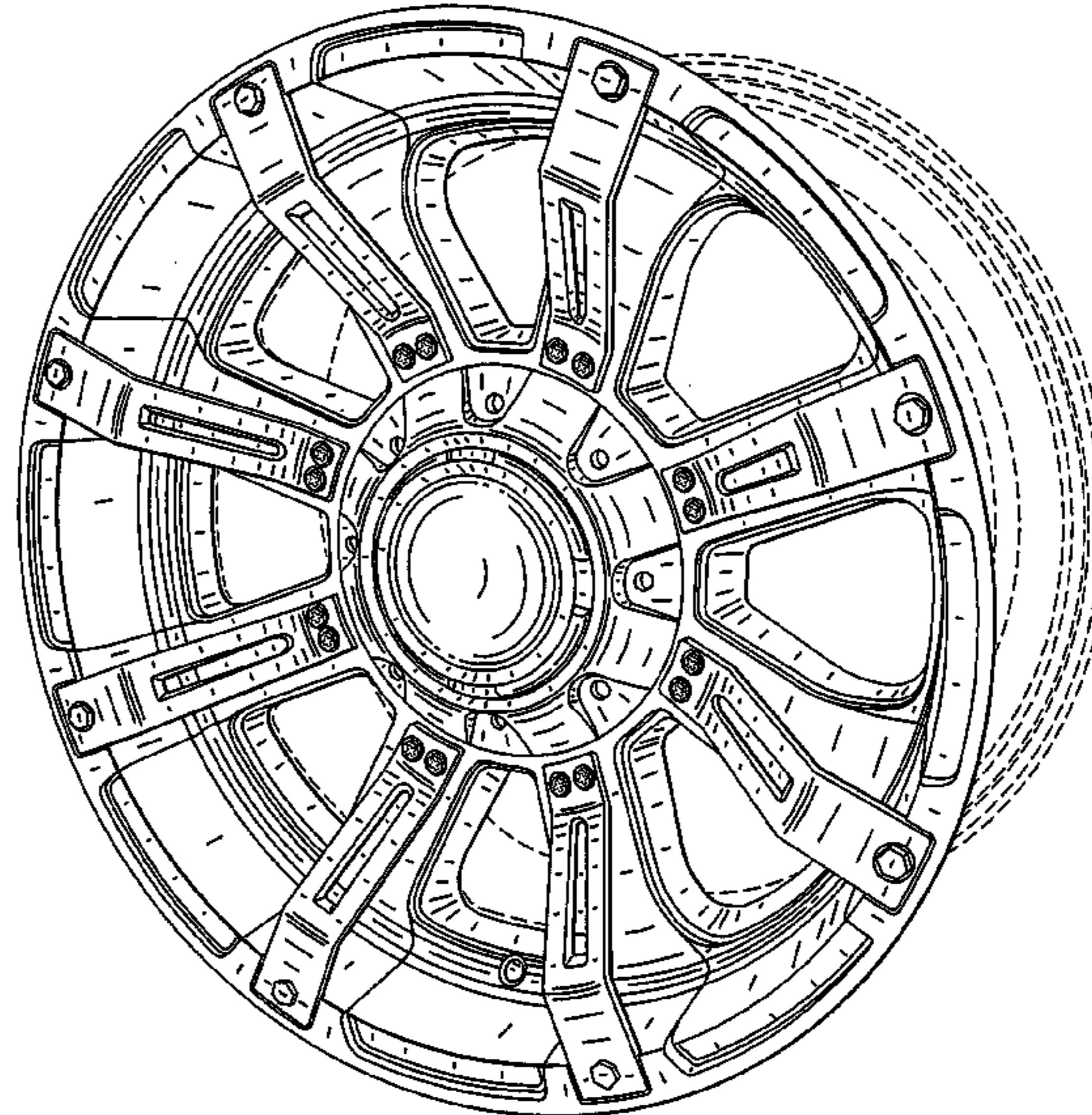
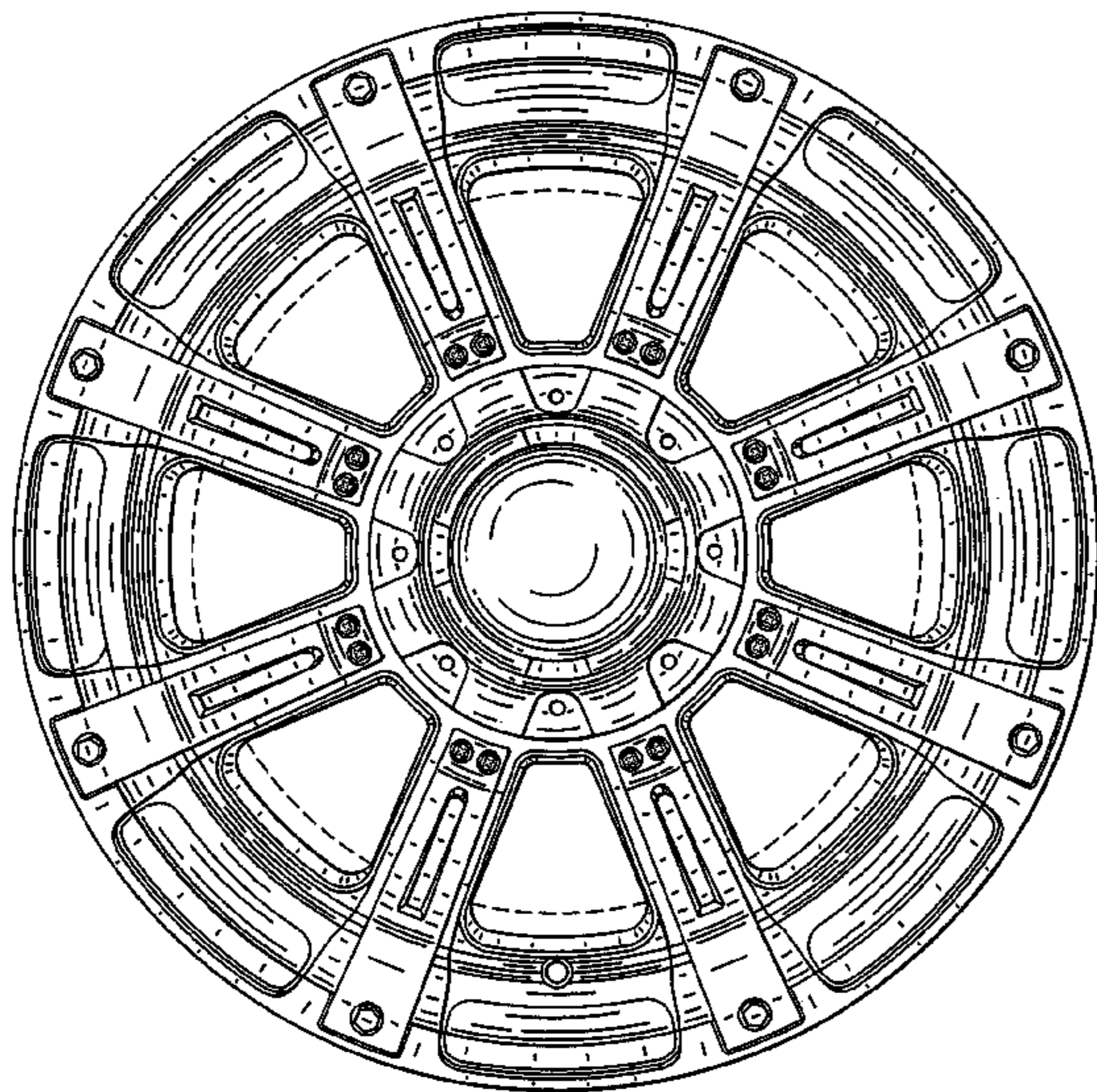


FIG. 1

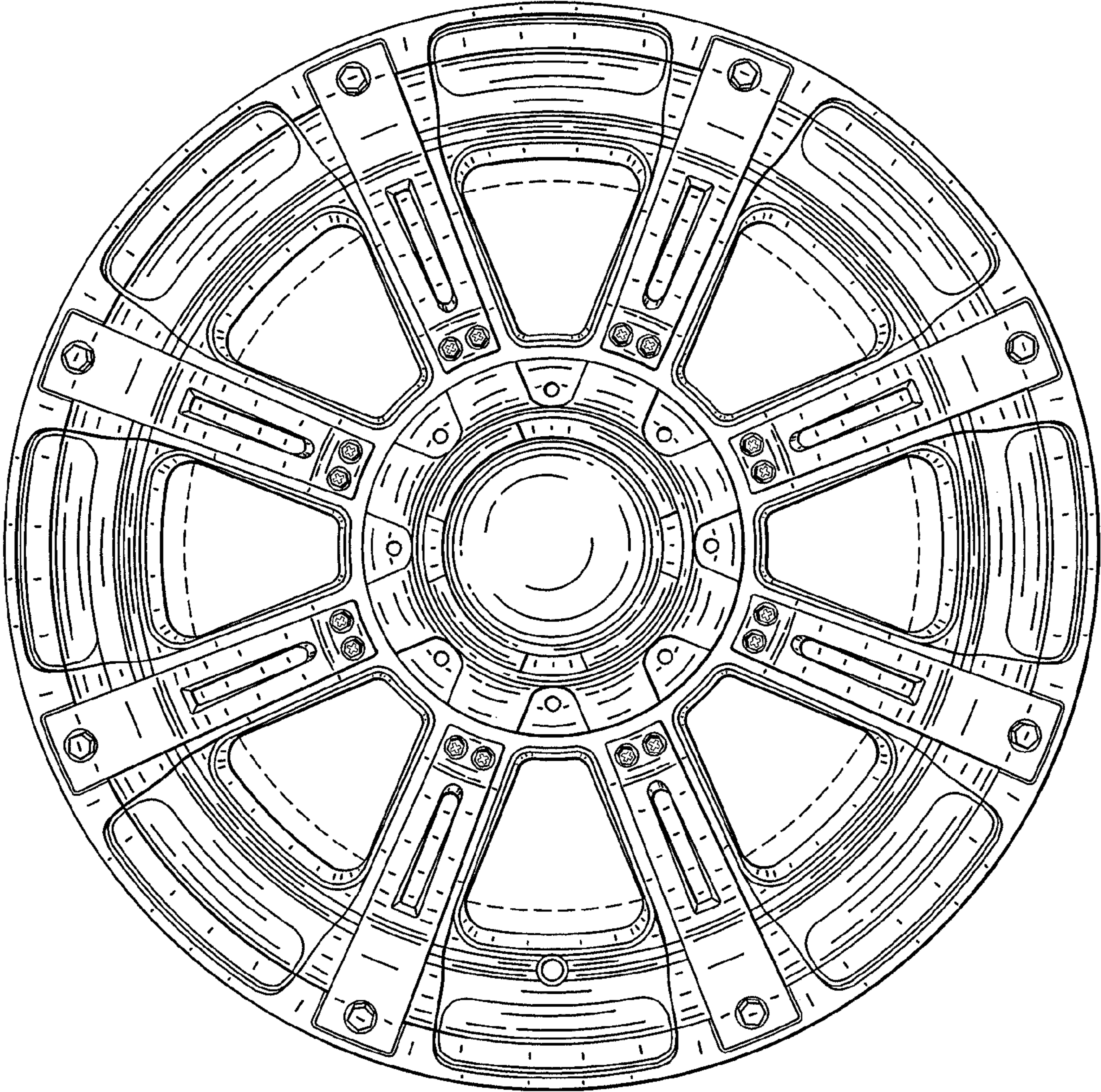


FIG. 2

