



US00D704120S

(12) **United States Design Patent**
Feuerherdt

(10) **Patent No.:** **US D704,120 S**

(45) **Date of Patent:** **** May 6, 2014**

(54) **WHEEL OR WHEEL COVER**

(75) **Inventor:** **Ingo Feuerherdt, Stuttgart (DE)**

(73) **Assignee:** **Daimler AG, Stuttgart (DE)**

(**) **Term:** **14 Years**

(21) **Appl. No.:** **29/371,298**

(22) **Filed:** **Dec. 21, 2010**

(30) **Foreign Application Priority Data**

Jun. 22, 2010 (EM) 001722547-0005

(51) **LOC (10) Cl.** **12-16**

(52) **U.S. Cl.**
USPC **D12/211**

(58) **Field of Classification Search**
USPC D12/204-213; 301/37.101, 64.101, 65,
301/64.201
See application file for complete search history.

(56) **References Cited**

U.S. PATENT DOCUMENTS

D503,918 S * 4/2005 Fahr-Becker D12/211
D567,167 S * 4/2008 Forster D12/211

D573,081 S * 7/2008 Kim et al. D12/211
D579,399 S * 10/2008 Schweizer D12/211
D585,354 S * 1/2009 Powell et al. D12/211
D594,396 S * 6/2009 Juergens et al. D12/209
D595,203 S * 6/2009 Rak D12/211
D615,018 S * 5/2010 Truebsbach D12/211
D641,679 S * 7/2011 Vardis D12/211
D660,768 S * 5/2012 De Bono D12/211
D672,702 S * 12/2012 Pollmann D12/211
D677,209 S * 3/2013 Kono D12/211
D682,179 S * 5/2013 Badstuebner D12/211

* cited by examiner

Primary Examiner — Stacia Cadmus

(74) *Attorney, Agent, or Firm* — Crowell & Moring LLP

(57) **CLAIM**

The ornamental design for a wheel or wheel cover, as shown and described.

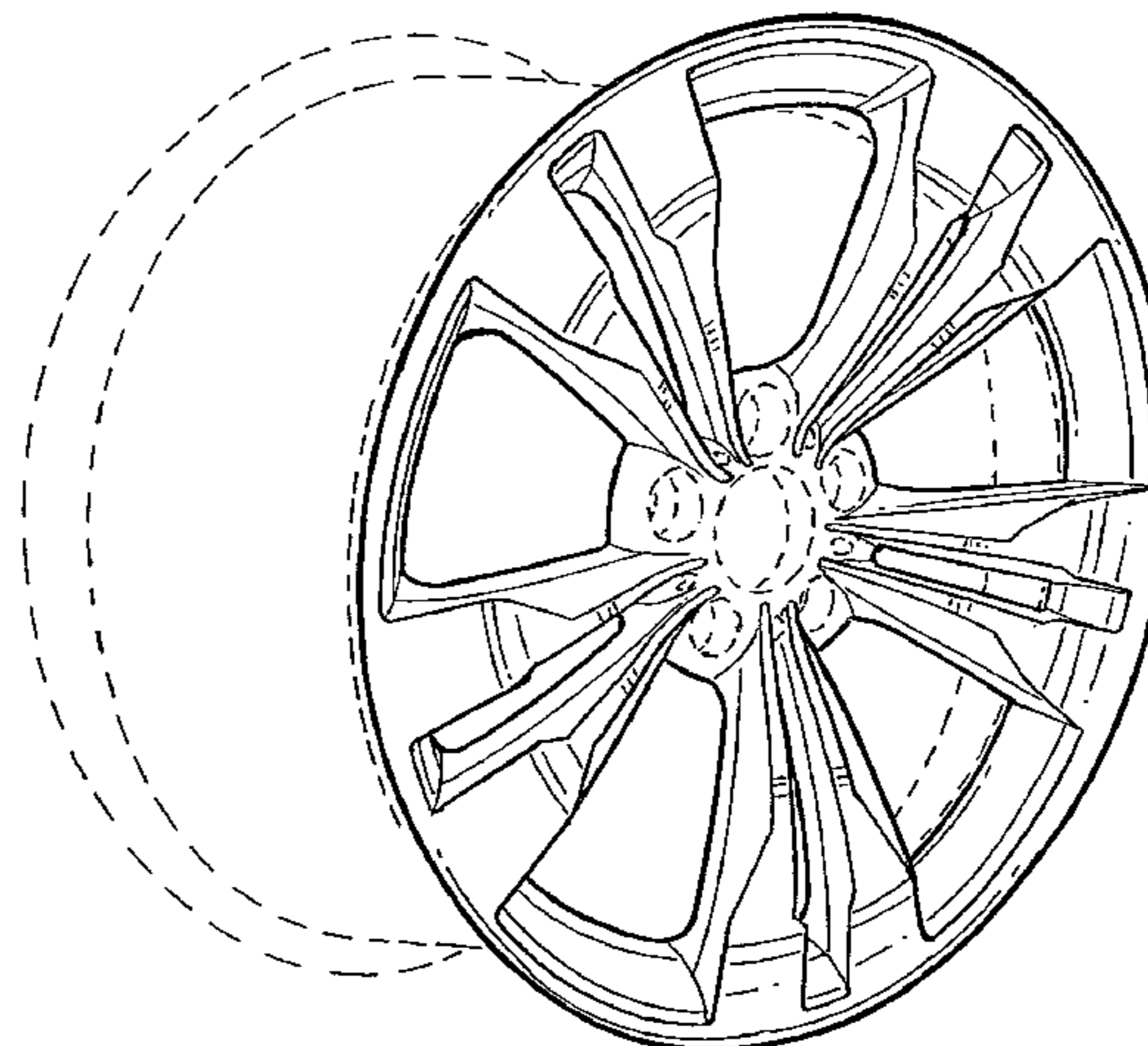
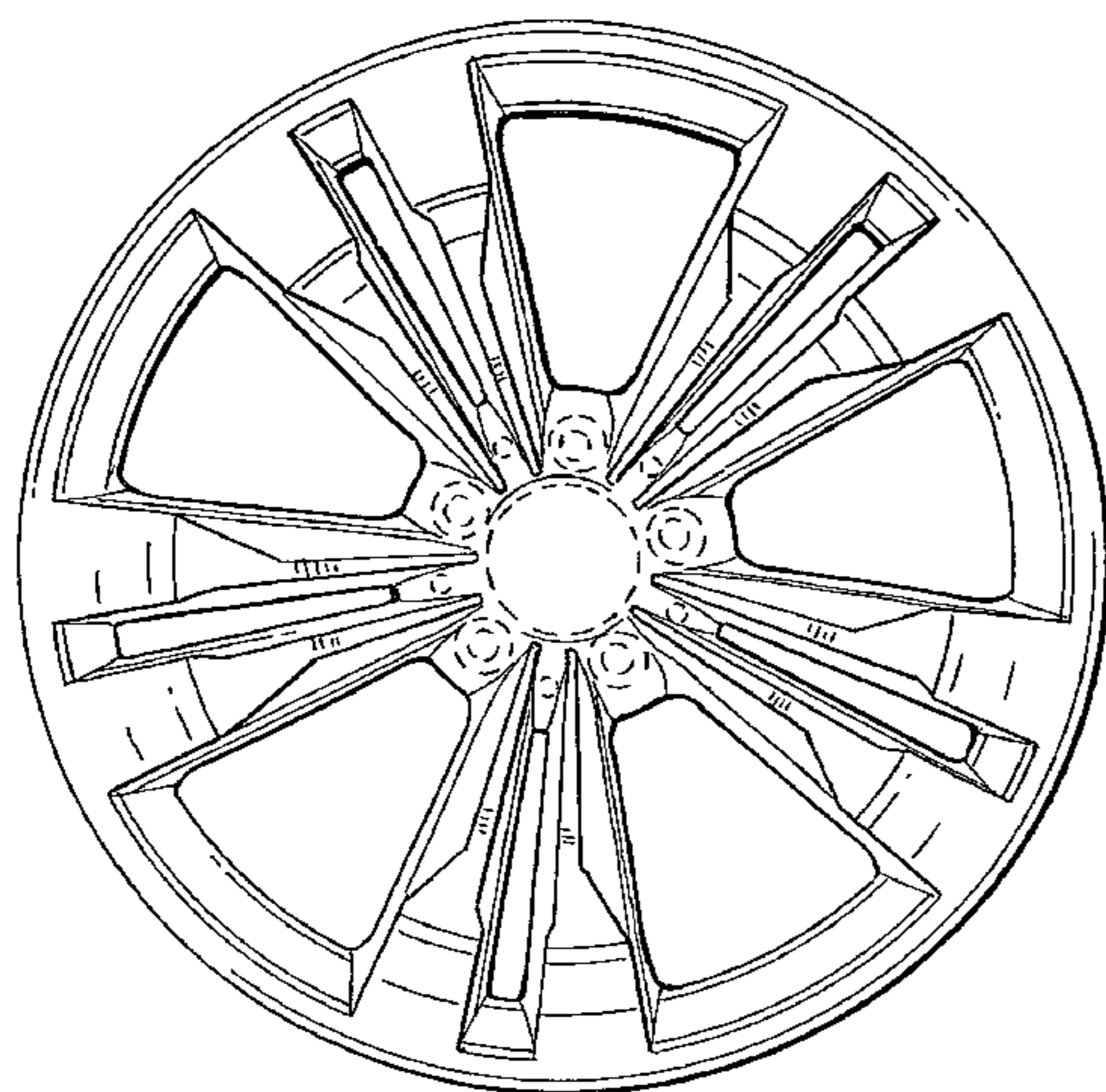
DESCRIPTION

FIG. 1 is a front view of a wheel or wheel cover according to my design; and,

FIG. 2 is a perspective view thereof.

The broken line showing of the rear of the wheel and the bolt holes and center opening in the central hub area is included for the purpose of illustrating environment and forms no part of the claimed design.

1 Claim, 1 Drawing Sheet



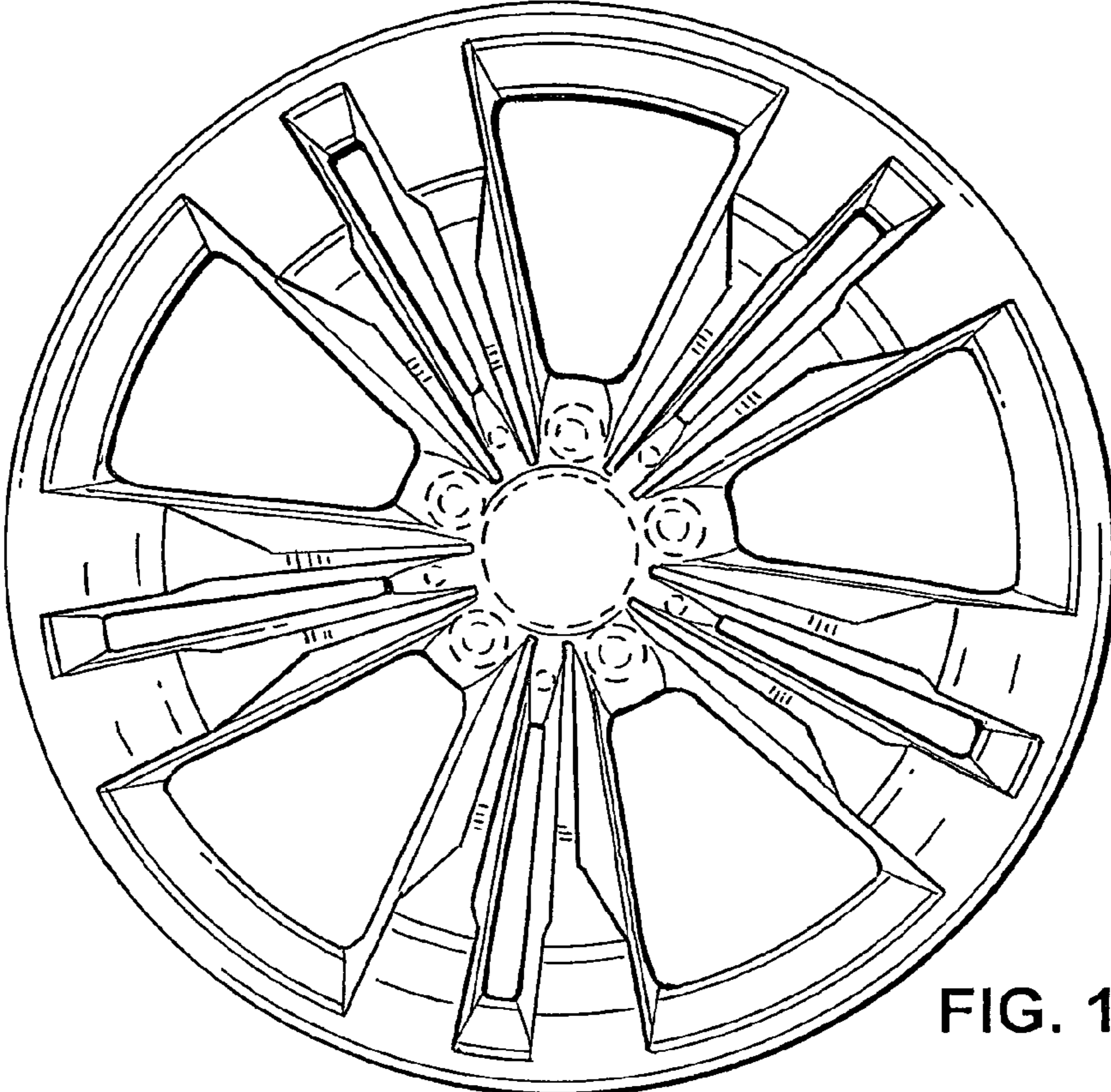


FIG. 1

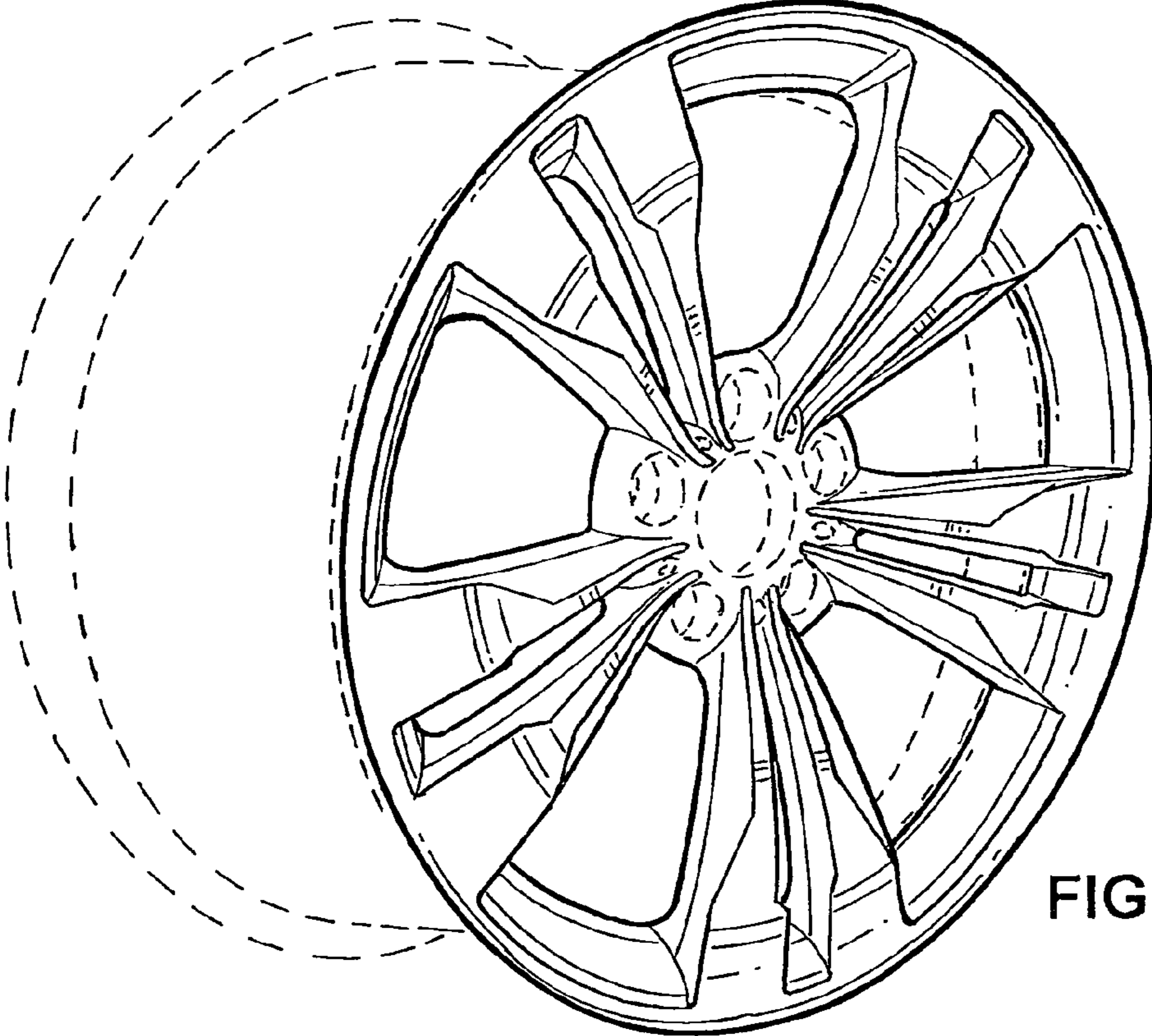


FIG. 2