



US00D704119S

(12) **United States Design Patent**
Platto et al.

(10) **Patent No.:** **US D704,119 S**

(45) **Date of Patent:** **** May 6, 2014**

(54) **VEHICLE WHEEL**

(71) Applicant: **Ford Motor Company**, Dearborn, MI (US)

(72) Inventors: **Gordon M. Platto**, Troy, MI (US); **Bradley A. Richards**, Bloomfield Hills, MI (US); **Moray S. Callum**, Ann Arbor, MI (US); **Joel Piaskowski**, Brighton (AU); **Dong H. Park**, Royal Oak, MI (US)

(73) Assignee: **Ford Motor Company**, Dearborn, MI (US)

(**) Term: **14 Years**

(21) Appl. No.: **29/475,463**

(22) Filed: **Dec. 3, 2013**

(51) **LOC (10) Cl.** **12-16**

(52) **U.S. Cl.**
USPC **D12/209**

(58) **Field of Classification Search**
USPC D12/204-213; 301/37.101, 64.101, 65, 301/64.201

See application file for complete search history.

(56) **References Cited**

U.S. PATENT DOCUMENTS

D421,953	S	*	3/2000	Sims et al.	D12/211
D432,481	S	*	10/2000	Brown	D12/209
D449,266	S	*	10/2001	Afzal	D12/209
D477,557	S	*	7/2003	Iacovelli et al.	D12/211
D515,493	S	*	2/2006	Schaefers	D12/211
D516,491	S	*	3/2006	Noriega	D12/211
D527,330	S	*	8/2006	Madden	D12/211
D528,957	S	*	9/2006	Kim	D12/209
D585,010	S	*	1/2009	Pollmann	D12/211
D593,922	S	*	6/2009	Blasi	D12/211
D596,552	S	*	7/2009	Beermann	D12/211
D617,715	S	*	6/2010	Gallert	D12/211
D639,226	S	*	6/2011	Juergens et al.	D12/211
D656,446	S	*	3/2012	Lee	D12/209
D658,560	S	*	5/2012	Thurner	D12/209
D688,185	S	*	8/2013	Baum	D12/209

* cited by examiner

Primary Examiner — Stacia Cadmus

(74) *Attorney, Agent, or Firm* — Damian Porcari

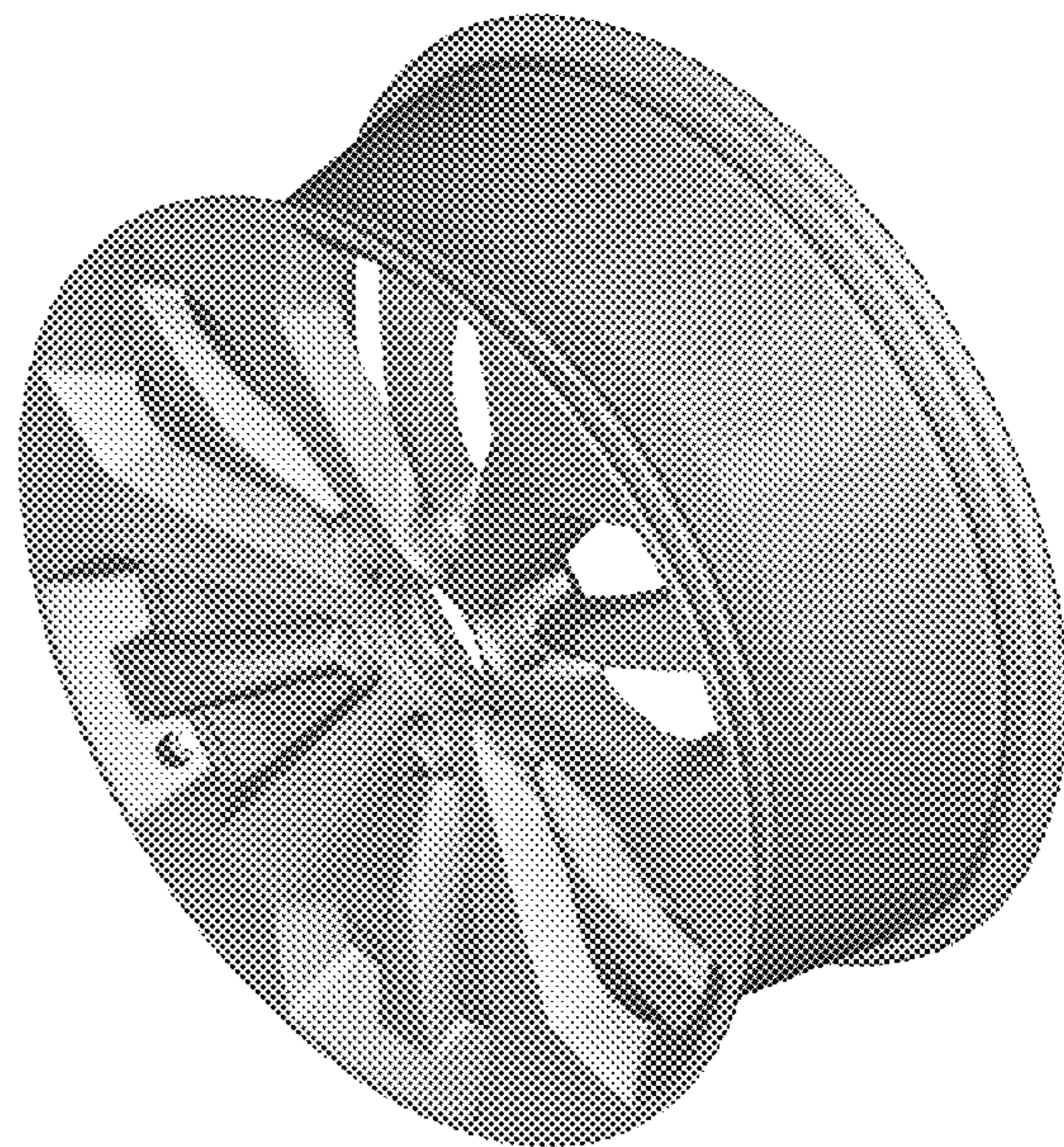
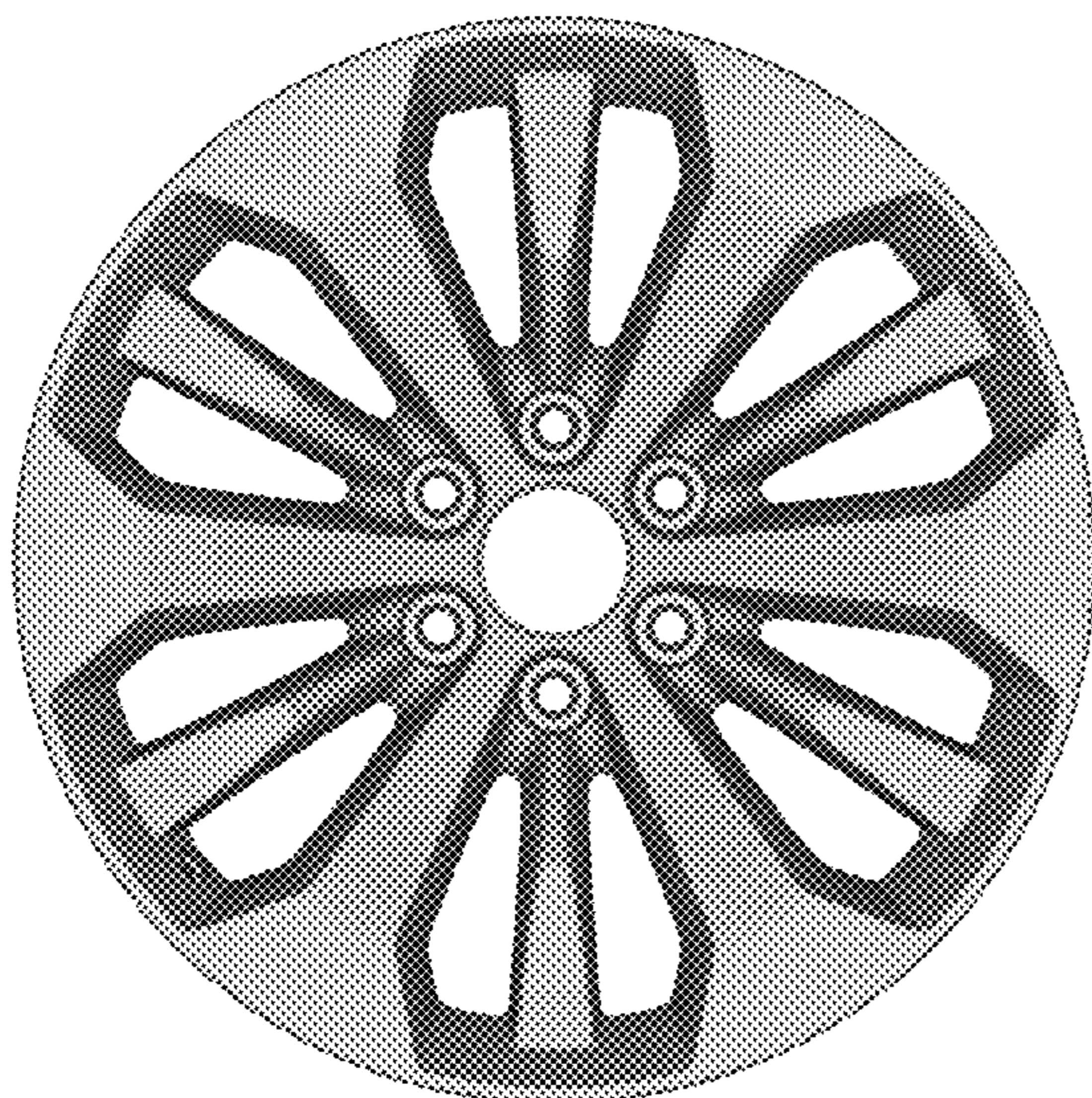
(57) **CLAIM**

The ornamental design for a vehicle wheel, as shown and described.

DESCRIPTION

FIG. 1 is a front view of a vehicle wheel; and, FIG. 2 is a perspective view thereof.

1 Claim, 2 Drawing Sheets



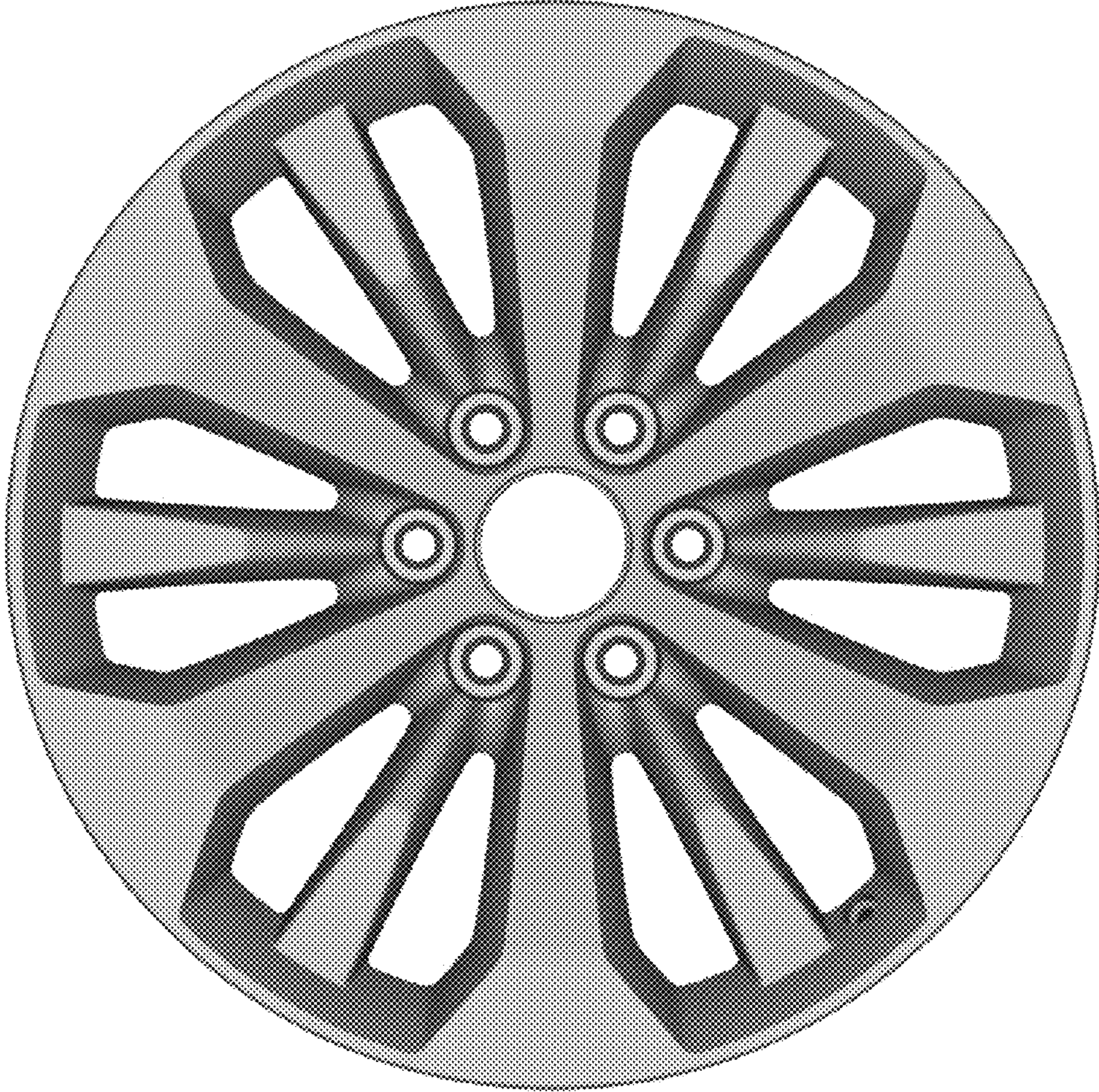


Figure 1

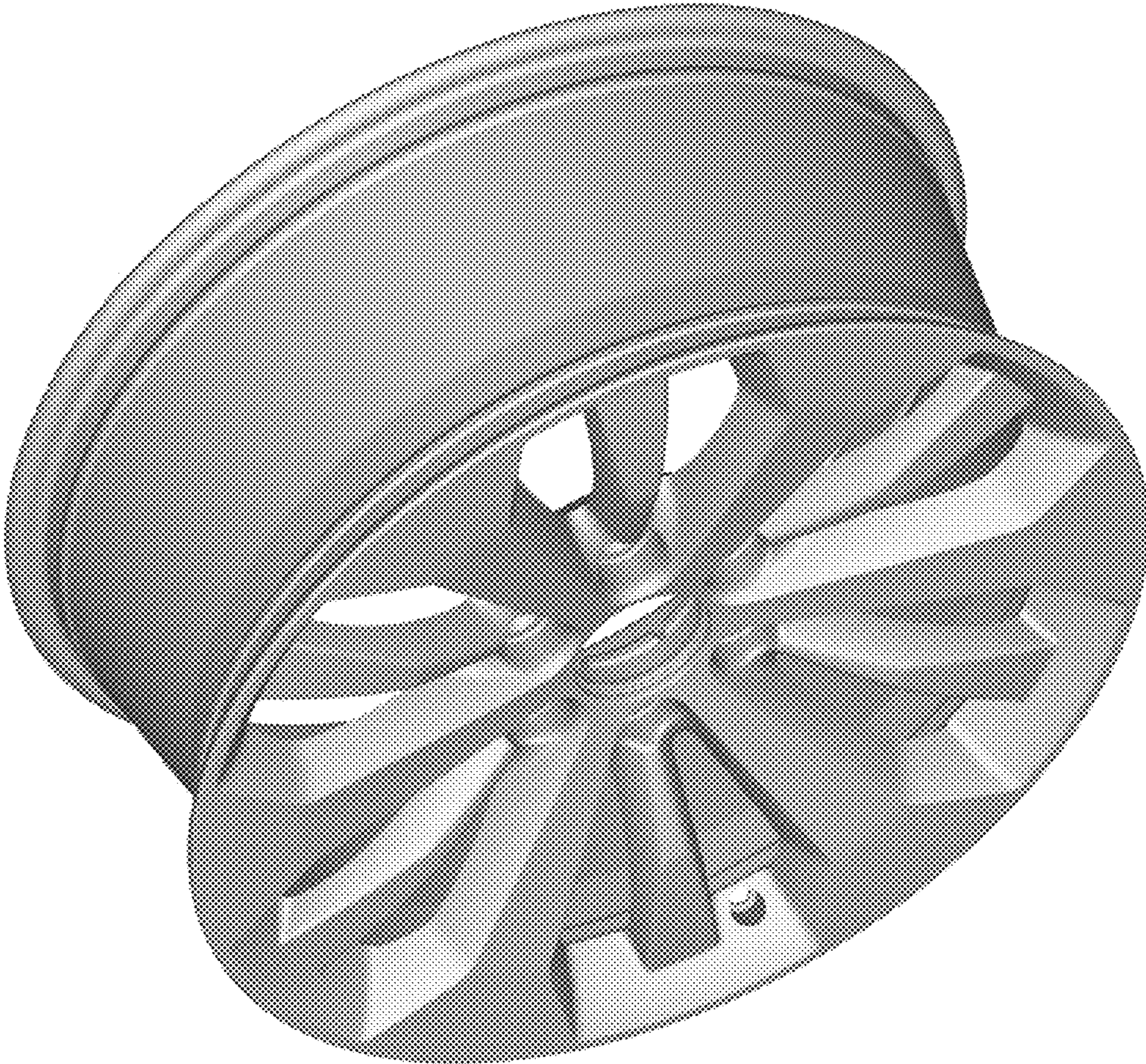


Figure 2