



US00D704118S

(12) **United States Design Patent**  
**Chung**

(10) **Patent No.:** **US D704,118 S**

(45) **Date of Patent:** **\*\* May 6, 2014**

(54) **AUTOMOTIVE WHEEL**

(71) Applicant: **Suny Chung**, Brea, CA (US)

(72) Inventor: **Suny Chung**, Brea, CA (US)

(\*\*) Term: **14 Years**

(21) Appl. No.: **29/442,700**

(22) Filed: **Apr. 22, 2013**

(51) **LOC (10) Cl.** ..... **12-16**

(52) **U.S. Cl.**  
USPC ..... **D12/209**

(58) **Field of Classification Search**  
USPC ..... D12/204-213; 301/37.101, 64.101, 65,  
301/64.201

See application file for complete search history.

(56) **References Cited**

**U.S. PATENT DOCUMENTS**

D570,276 S *	6/2008	Chung	.....	D12/211
D579,845 S *	11/2008	Chung	.....	D12/209
D582,829 S *	12/2008	Musser	.....	D12/211

D590,317 S *	4/2009	Chung	.....	D12/211
D625,242 S *	10/2010	Zhao	.....	D12/211
D633,028 S *	2/2011	Kim	.....	D12/211
D649,101 S *	11/2011	Hale, Jr.	.....	D12/209
D659,067 S *	5/2012	Lee	.....	D12/209
D675,971 S *	2/2013	Lee	.....	D12/209
D678,160 S *	3/2013	Claunch	.....	D12/209
D680,936 S *	4/2013	Claunch	.....	D12/209
D684,101 S *	6/2013	Alfonso	.....	D12/211

\* cited by examiner

*Primary Examiner* — Stacia Cadmus

(57) **CLAIM**

The ornamental design for an automotive wheel, as shown and described.

**DESCRIPTION**

FIG. 1 is a perspective view of an automotive wheel, showing my new design; and, FIG. 2 is a front view thereof. The broken line showing of the rear portion of the wheel is included for the purpose of illustrating environment and forms no part of the claimed design.

**1 Claim, 2 Drawing Sheets**

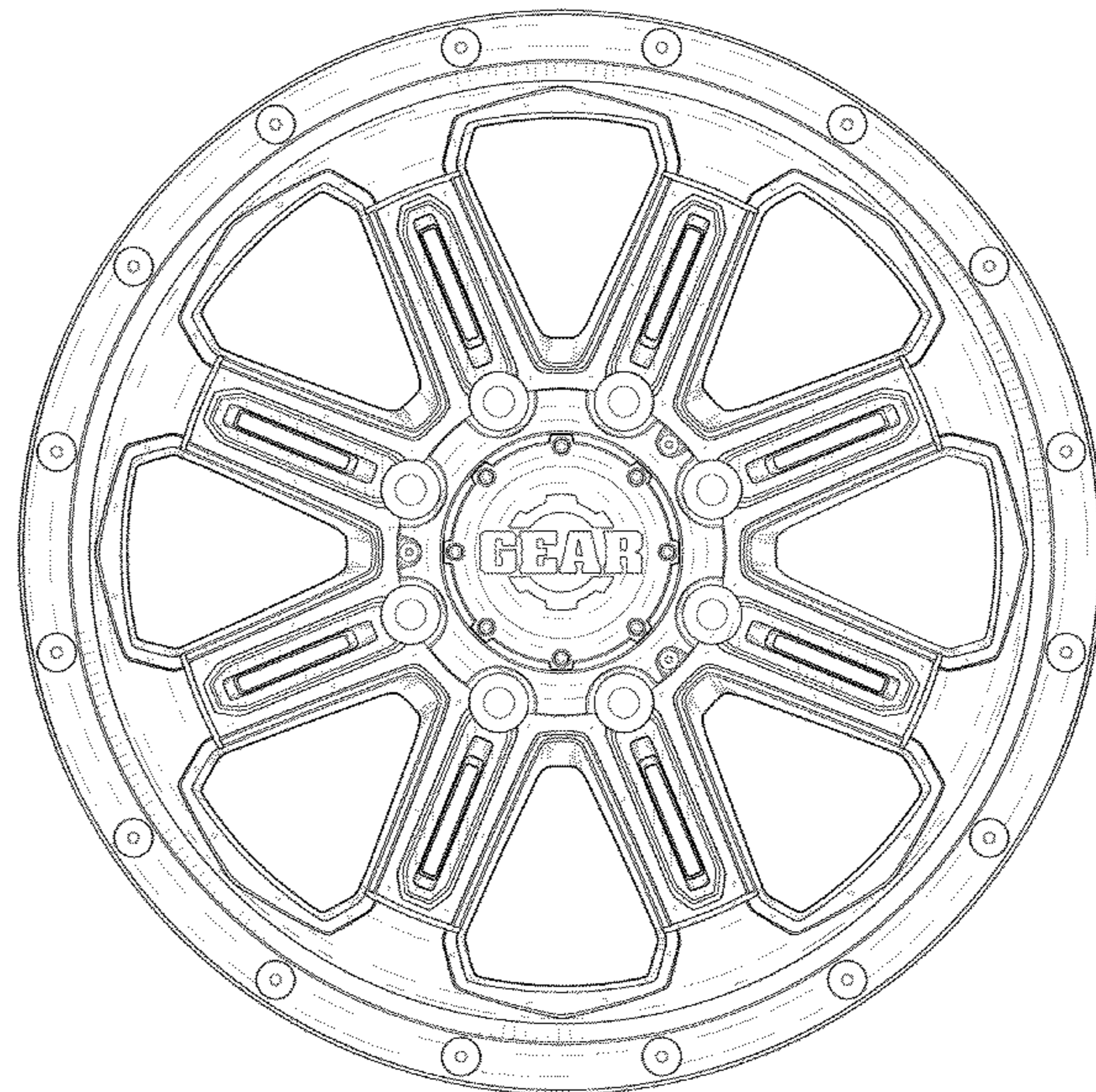
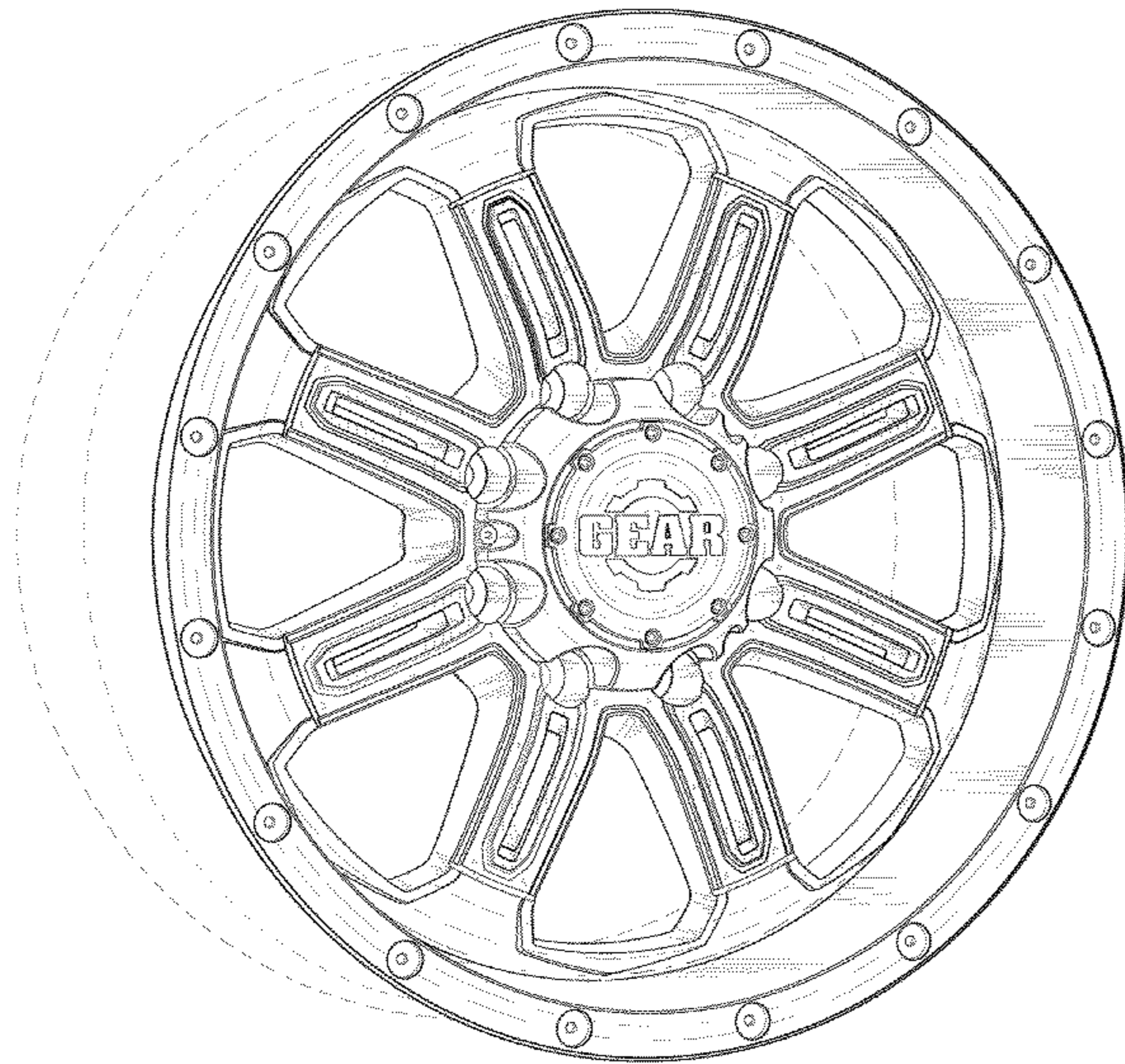


FIGURE 1

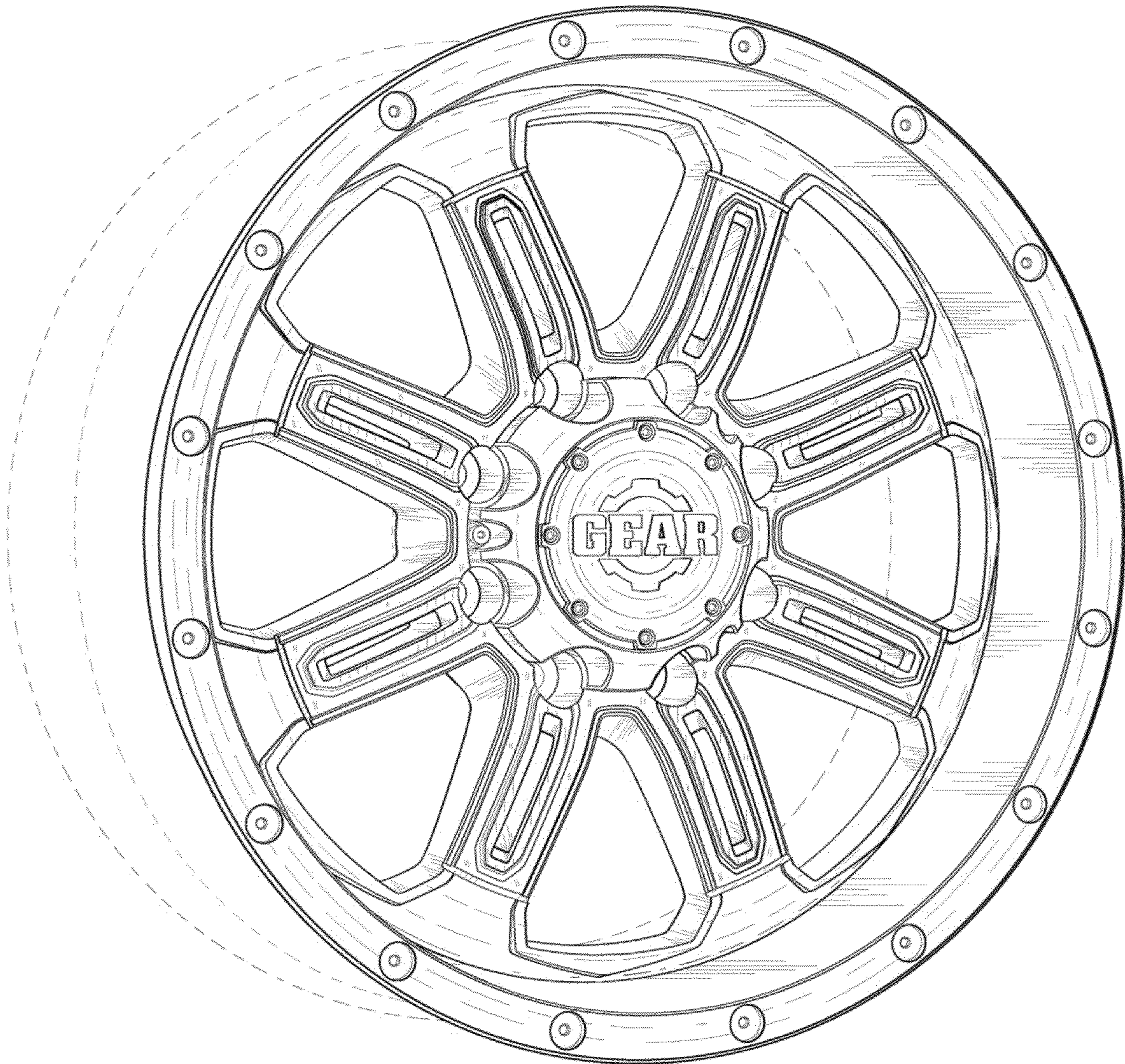


FIGURE 2

