



US00D704117S

(12) **United States Design Patent**
Chung

(10) **Patent No.:** **US D704,117 S**

(45) **Date of Patent:** **** May 6, 2014**

(54) **AUTOMOTIVE WHEEL**

(71) Applicant: **Suny Chung**, Brea, CA (US)

(72) Inventor: **Suny Chung**, Brea, CA (US)

(**) Term: **14 Years**

(21) Appl. No.: **29/442,692**

(22) Filed: **Apr. 22, 2013**

(51) **LOC (10) Cl.** **12-16**

(52) **U.S. Cl.**
USPC **D12/209**

(58) **Field of Classification Search**
USPC D12/204-213; 301/37.101, 64.101, 65,
301/64.201

See application file for complete search history.

(56) **References Cited**

U.S. PATENT DOCUMENTS

D337,563 S * 7/1993 Boselli D12/209
D497,870 S * 11/2004 Cahyono D12/211
D500,003 S * 12/2004 Guevara D12/211

D501,175 S * 1/2005 Kushartanto D12/211
D505,375 S * 5/2005 Kushartanto D12/211
D536,655 S * 2/2007 Kim D12/211
D545,749 S * 7/2007 Young D12/211
D548,167 S * 8/2007 Groom D12/211
D573,082 S * 7/2008 Young D12/211
D582,830 S * 12/2008 Musser D12/211
D617,720 S * 6/2010 Zhao D12/211

* cited by examiner

Primary Examiner — Stacia Cadmus

(57) **CLAIM**

The ornamental design for an automotive wheel, as shown and described.

DESCRIPTION

FIG. 1 is a perspective view of an automotive wheel, showing my new design; and,

FIG. 2 is a front view thereof.

The broken line showing of the rear portion of the wheel is included for the purpose of illustrating environment and forms no part of the claimed design.

1 Claim, 2 Drawing Sheets

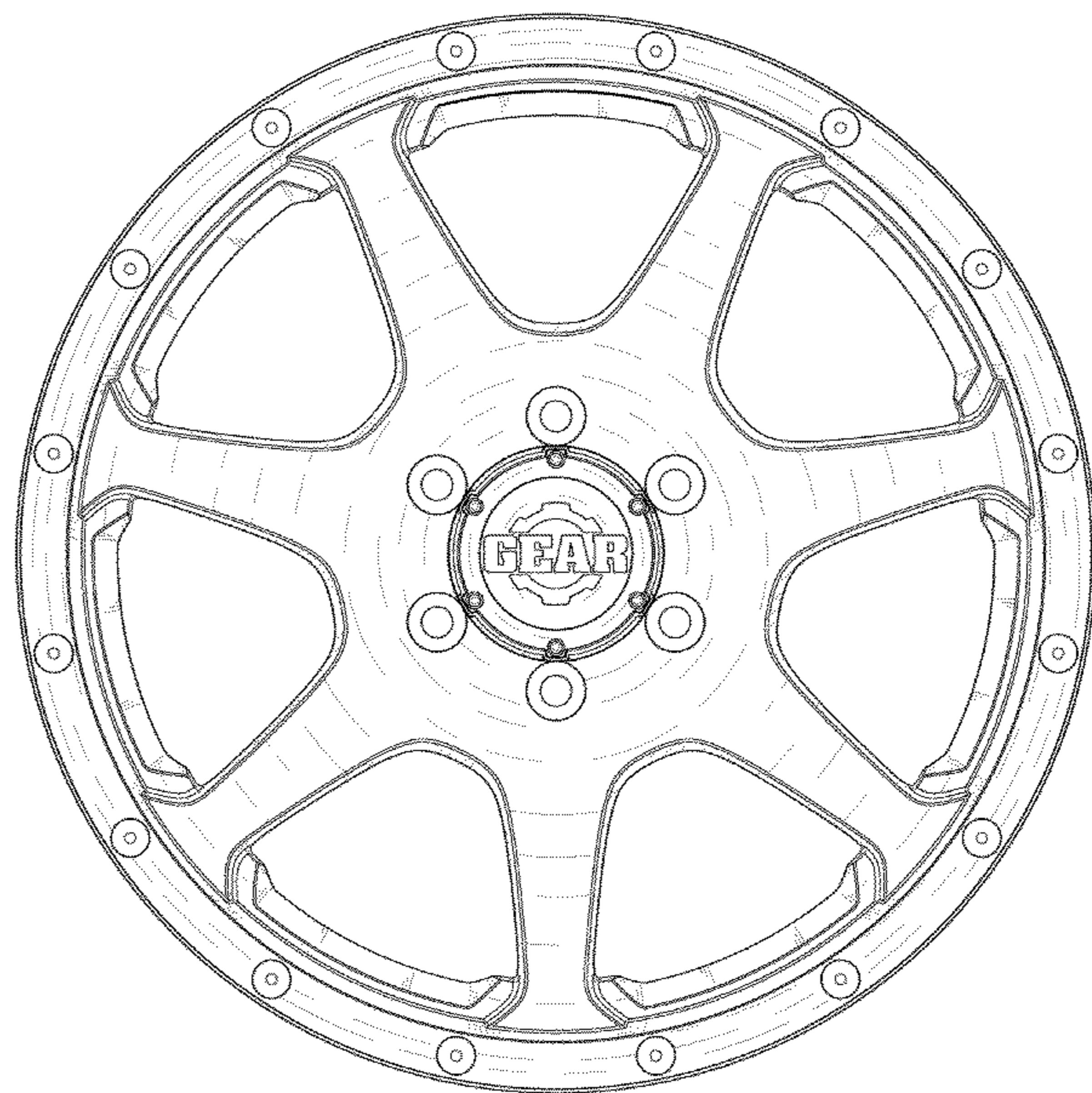
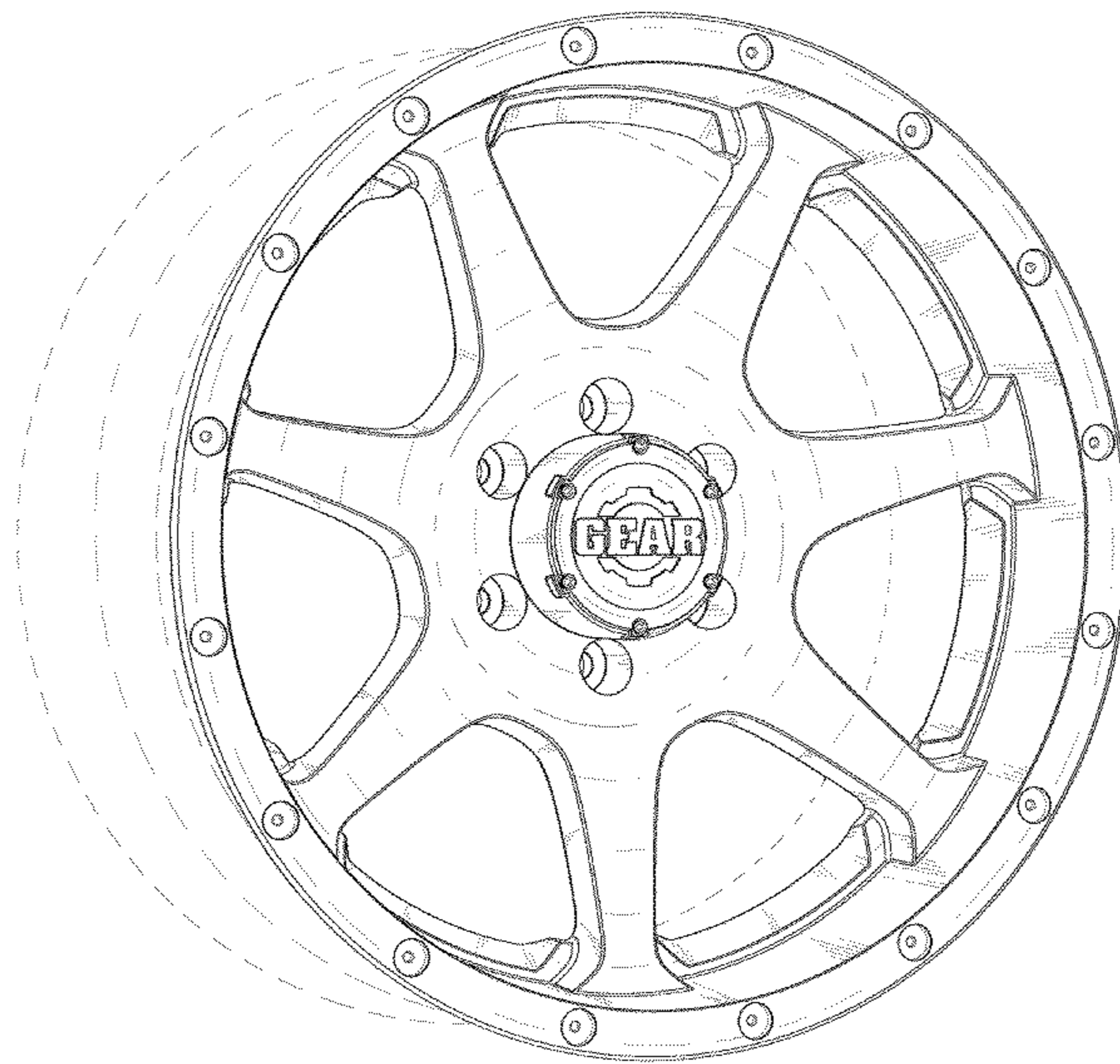


FIGURE 1

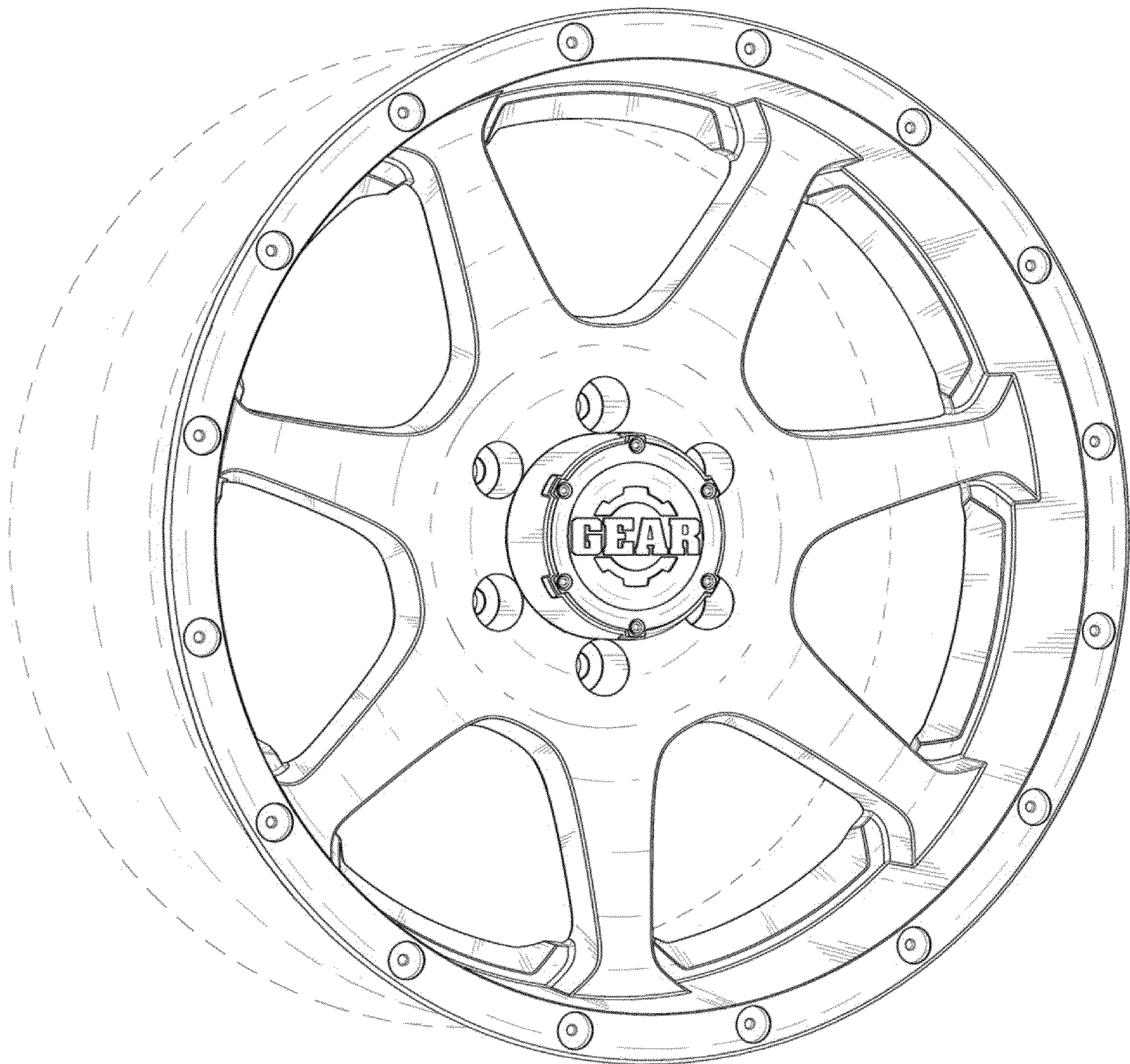


FIGURE 2

