



US00D704112S

(12) **United States Design Patent**
Salaverry et al.

(10) **Patent No.:** **US D704,112 S**

(45) **Date of Patent:** **** May 6, 2014**

(54) **DAY CAB ROAD TRACTOR WITH DRAG-REDUCING FILM SYSTEM**

(75) Inventors: **Peter C. Salaverry**, Dallas, TX (US);
Richard Wood, Virginia Beach, VA (US)

(73) Assignee: **Fastskinz, Inc.**, Dallas, TX (US)

(**) Term: **14 Years**

(21) Appl. No.: **29/404,094**

(22) Filed: **Oct. 14, 2011**

(51) **LOC (10) Cl.** **12-08**

(52) **U.S. Cl.**
USPC **D12/181**

(58) **Field of Classification Search**
USPC D12/93, 96, 99, 181, 196; D15/10, 28,
D15/30, 33; 296/180.1, 180.2, 180.3, 180.4,
296/180.5; D5/1, 2, 3; 244/130; 280/848
See application file for complete search history.

(56) **References Cited**

U.S. PATENT DOCUMENTS

D55,494 S *	6/1920	White	D12/400
1,342,733 A *	6/1920	Austin	294/49
2,313,473 A	3/1943	Heacock et al.		
2,967,714 A *	1/1961	Calabrese	273/271
3,088,191 A *	5/1963	Breiling	29/846
3,604,661 A	9/1971	Mayer, Jr.		
4,256,304 A	3/1981	Smith et al.		
4,284,302 A *	8/1981	Drews	296/181.5
4,313,635 A	2/1982	Front		
4,340,822 A	7/1982	Gregg		
4,343,506 A	8/1982	Saltzman		
4,455,045 A *	6/1984	Wheeler	296/181.5
4,736,912 A *	4/1988	Loebert	244/130
4,883,556 A	11/1989	Leavitt, Sr. et al.		
4,932,716 A	6/1990	Marlowe et al.		
4,940,622 A	7/1990	Leavitt, Sr. et al.		
4,955,709 A	9/1990	Smith		
5,000,508 A *	3/1991	Woods	296/180.5

5,058,837 A	10/1991	Wheeler		
5,133,516 A *	7/1992	Marentic et al.	244/130
5,289,997 A *	3/1994	Harris	244/130
D348,705 S	7/1994	Onopa		
D362,120 S *	9/1995	Suskind et al.	D5/1
5,525,177 A	6/1996	Ross		

(Continued)

OTHER PUBLICATIONS

Salaverry, Notice of Allowance, U.S. Appl. No. 29/404,017, Nov. 28, 2012, 10 pgs.

(Continued)

Primary Examiner — Mark Goodwin

(74) *Attorney, Agent, or Firm* — Morgan, Lewis & Bockius LLP

(57) **CLAIM**

The ornamental design for a day cab road tractor with drag-reducing film system, as shown and described.

DESCRIPTION

The present application is potentially related to U.S. patent application Ser. No. 29/404,017 also entitled Road Tractor with Drag-Reducing Film System to inventors Peter Salaverry and Richard Wood, filed Oct. 13, 2011.

FIG. 1 is a perspective view of a day cab road tractor with drag-reducing film system showing our new design, portions of the day cab road tractor shown in broken line form no part of the claimed design.

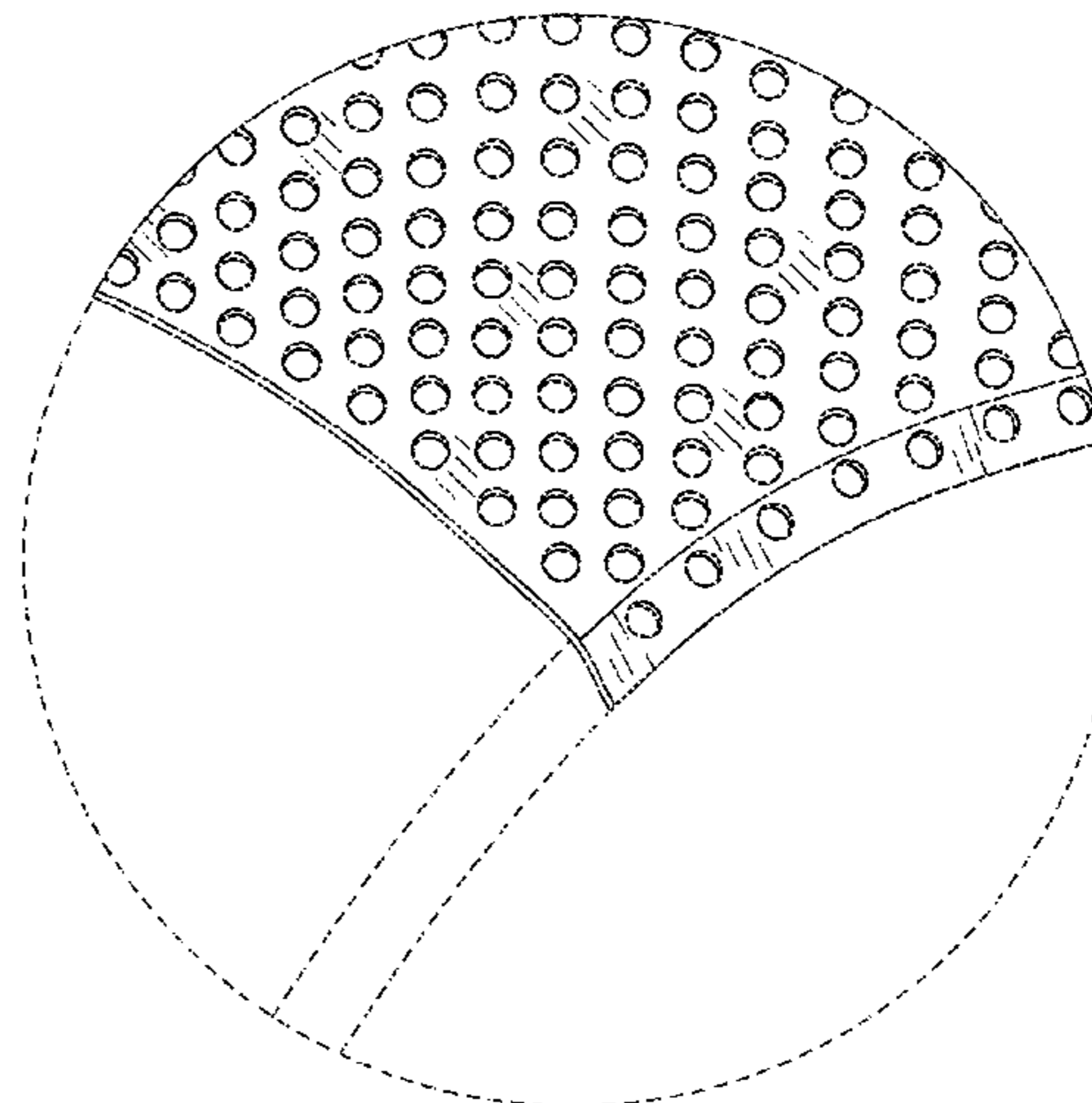
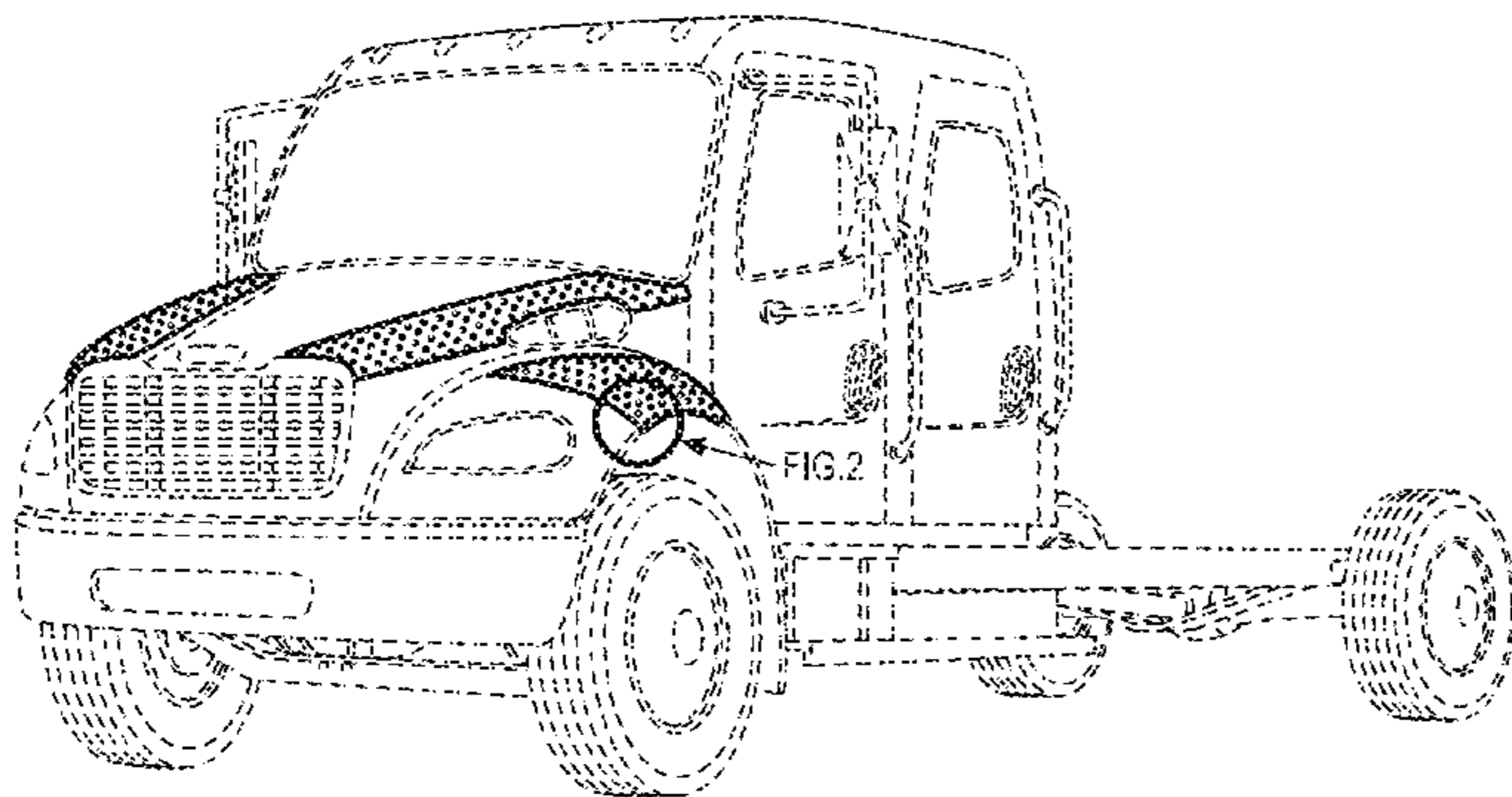
FIG. 2 is an enlarged view of a portion of FIG. 1 to more clearly illustrate the films thickness and holes punched there through.

FIG. 3 is a side view thereof, the opposite side being a mirror image thereof.

FIG. 4 is a front view thereof; and,

FIG. 5 is a top view thereof.

1 Claim, 5 Drawing Sheets



(56)

References Cited

U.S. PATENT DOCUMENTS

5,609,938 A 3/1997 Shields
 5,701,233 A * 12/1997 Carson et al. 361/735
 5,773,110 A 6/1998 Shields
 5,803,409 A 9/1998 Keefe
 5,830,529 A 11/1998 Ross
 D406,552 S 3/1999 Hellhake et al.
 D411,921 S * 7/1999 Thomas D5/1
 5,925,437 A 7/1999 Nelson
 D428,710 S * 8/2000 Romano et al. D5/61
 D429,199 S 8/2000 Bulaquena et al.
 D431,369 S * 10/2000 Thomas D5/1
 D437,258 S 2/2001 Meryman et al.
 D441,539 S 5/2001 Streit
 6,258,429 B1 7/2001 Nelson
 D460,023 S 7/2002 Beigel
 D465,337 S * 11/2002 Curtiss et al. D5/47
 D465,658 S * 11/2002 Carlson D5/47
 D472,752 S 4/2003 Medendorp
 6,551,029 B2 4/2003 Shu et al.
 6,644,894 B2 11/2003 Shu et al.
 D493,055 S 7/2004 Ferretti
 D496,620 S 9/2004 Perfetti et al.
 6,849,007 B2 2/2005 Morgan et al.
 7,028,478 B2 4/2006 Prentice, III
 7,070,850 B2 7/2006 Dietz et al.
 D539,704 S 4/2007 Angelo et al.
 D545,125 S * 6/2007 Dodge et al. D7/409
 7,278,930 B2 10/2007 Yokota et al.
 D566,009 S 4/2008 Beigel et al.
 D593,907 S 6/2009 Piedy
 7,594,867 B2 9/2009 Nardacci
 7,604,461 B2 10/2009 Bonnet
 D627,696 S * 11/2010 Yang et al. D12/196
 D632,224 S 2/2011 Peltola et al.
 D666,541 S 9/2012 Stimel, Jr.
 D677,196 S * 3/2013 Salaverry et al. D12/93
 2003/0019737 A1 1/2003 Matsumoto et al.
 2003/0021030 A1 1/2003 Smith
 2004/0137252 A1 7/2004 Bonnet et al.
 2004/0224126 A1 11/2004 Aeling et al.
 2005/0107189 A1 5/2005 Ohama et al.
 2006/0103167 A1 5/2006 Wong et al.
 2007/0110585 A1 5/2007 Bonnet
 2007/0284848 A1 12/2007 Brownlie
 2008/0080977 A1 4/2008 Bonnet
 2008/0240923 A1 10/2008 Bonnet
 2008/0268258 A1 10/2008 Verma et al.
 2008/0272241 A1 11/2008 Brulhart
 2008/0286110 A1 11/2008 Gupta et al.
 2008/0303309 A1 12/2008 Dayton
 2009/0074585 A1 3/2009 Koegler et al.
 2009/0209367 A1 8/2009 Stefan et al.
 2009/0256385 A1 10/2009 Salaverry
 2010/0117396 A1 5/2010 Dayton
 2010/0181434 A1 7/2010 Powell et al.
 2010/0264654 A1 10/2010 Prasad
 2011/0089716 A1 4/2011 Hall

2011/0272964 A1 11/2011 Henderson et al.
 2012/0244412 A1 9/2012 Pascaly et al.
 2012/0261945 A1 10/2012 Litchfield

OTHER PUBLICATIONS

Salaverry, Office Action, U.S. Appl. No. 12/892,747, Mar. 29, 2013, 19 pgs.
 Avery Dennison Corporation, DOL 1000 Gloss Clear Cast Vinyl, Product Data Bulletin, Nov. 7, 2005, 2 pages.
 Avery Dennison Corporation, DOL 4500 Conformable Perforated Window Film Overlaminates, Product Data Bulletin, Mar. 28, 2007, 2 pages.
 Avery Dennison Corporation, MPI 1007 EZ Cast Vinyl Film for Digital, Product Data Bulletin, Nov. 2, 2007, 2 pages.
 Avery Graphics, Perforated Window Film, Product Data Bulletin, Mar. 26, 2002, 2 pages.
 Customize Your Car-Without Paint, downloaded May 6, 2010, pp. 1.
 Delozier, Fastskinz Vehicle Wraps May Not Be an Easy Solution to Increased Miles per Gallon, downloaded May 6, 2010, pp. 1-4.
 Fast Skinz Executive Summary, 2008, pp. 1-8.
 Grunbaum, Tilings and Patterns, 1987, W. H. Freeman and Company, 3 pgs.
 Harrington & King Perforating Co., Perforated Materials, 4 pgs.
 Holusha; Business Technology Advances: 3M Coating Aids Yacht in Cup Effort; The New York Times; New York, NY; Feb. 4, 1987, 1 page.
 Physlink.com, Why do Dimples on a Golf Ball Allow it to Travel Farther?, Apr. 4, 2008, 2 pages.
 Riedy; All About the Bike; Jul. 2, 2003; 2 pages.
 Salaverry, Notice of Allowance, U.S. Appl. No. 12/102,668, Aug. 27, 2010, 7 pgs.
 Salaverry, Notice of Allowance, U.S. Appl. No. 12/877,932, Dec. 21, 2011, 8 pgs.
 Salaverry, Office Action, U.S. Appl. No. 12/102,668, Jan. 27, 2010, 7 pgs.
 Salaverry, Office Action, U.S. Appl. No. 12/877,932, May 19, 2011, 6 pgs.
 Salaverry, Office Action, U.S. Appl. No. 12/877,932, Jan. 27, 2011, 7 pgs.
 Salaverry, Office Action, U.S. Appl. No. 29/306,684, Mar. 31, 2010, 7 pgs.
 Salaverry, Office Action, U.S. Appl. No. 29/306,684, Jun. 22, 2009, 5 pgs.
 Scientific American, How do Dimples in Golf Balls Affect their Flight?, Sep. 19, 2005, 1 page.
 Stewart, Fastskinz Test Drive: Can a Golf Ball Covering Improve MPGs?, Popularmechnics.com, 2010, downloaded May 6, 2010, pp. 1-3.
 The Science and Theories Behind Drag Reducing Vehicle Wrap Material, Exclusively Distributed by SkinzWraps, Finds Support in Newest Episode of Discovery Channel's Mythbusters, Oct. 22, 2009, downloaded May 6, 2010, pp. 1.
 Voelcker, Today's Mileage Tip: Turn Your Car Into a Shark, downloaded May 6, 2010, pp. 1-2.

* cited by examiner

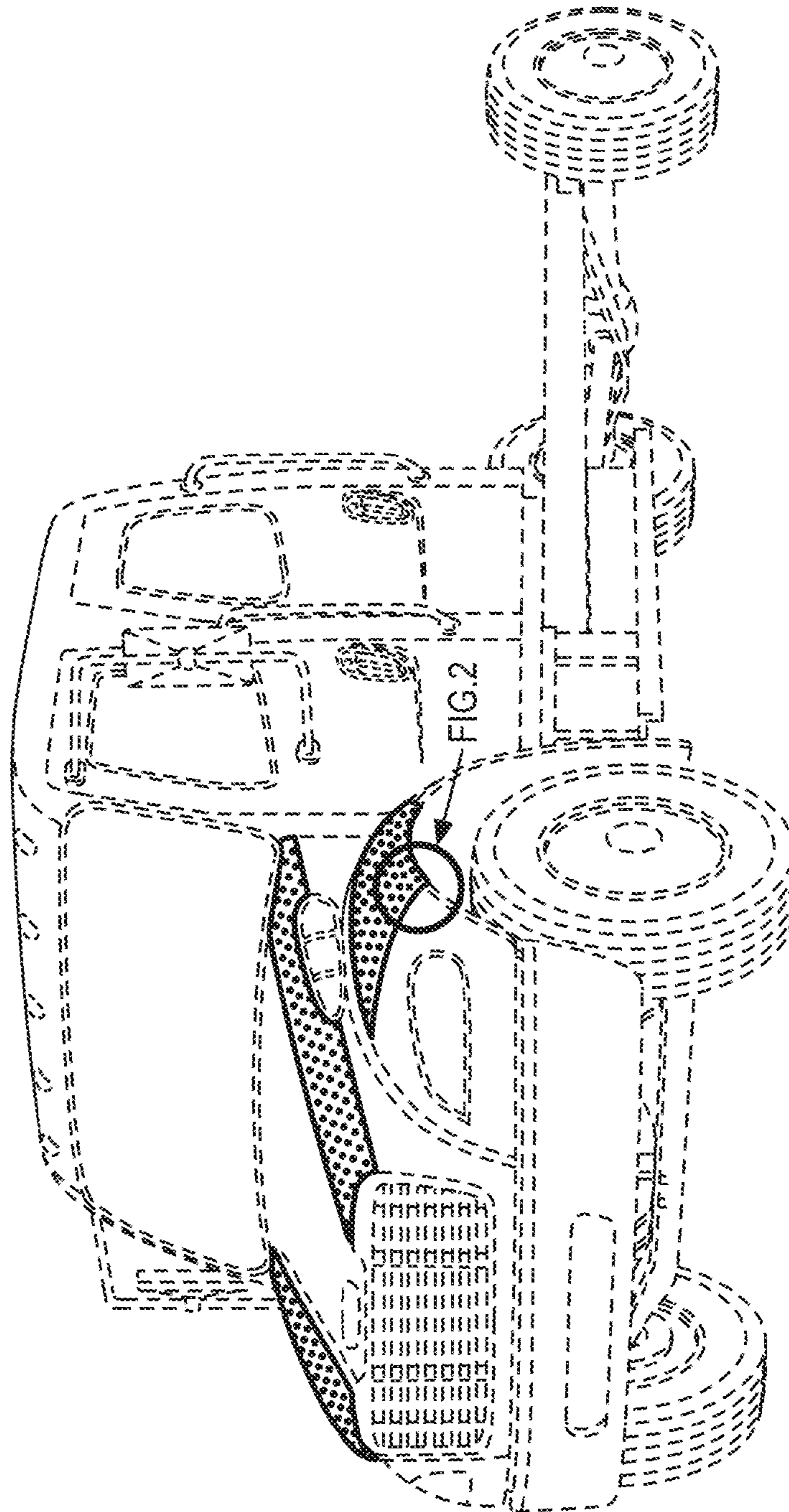


FIG. 1

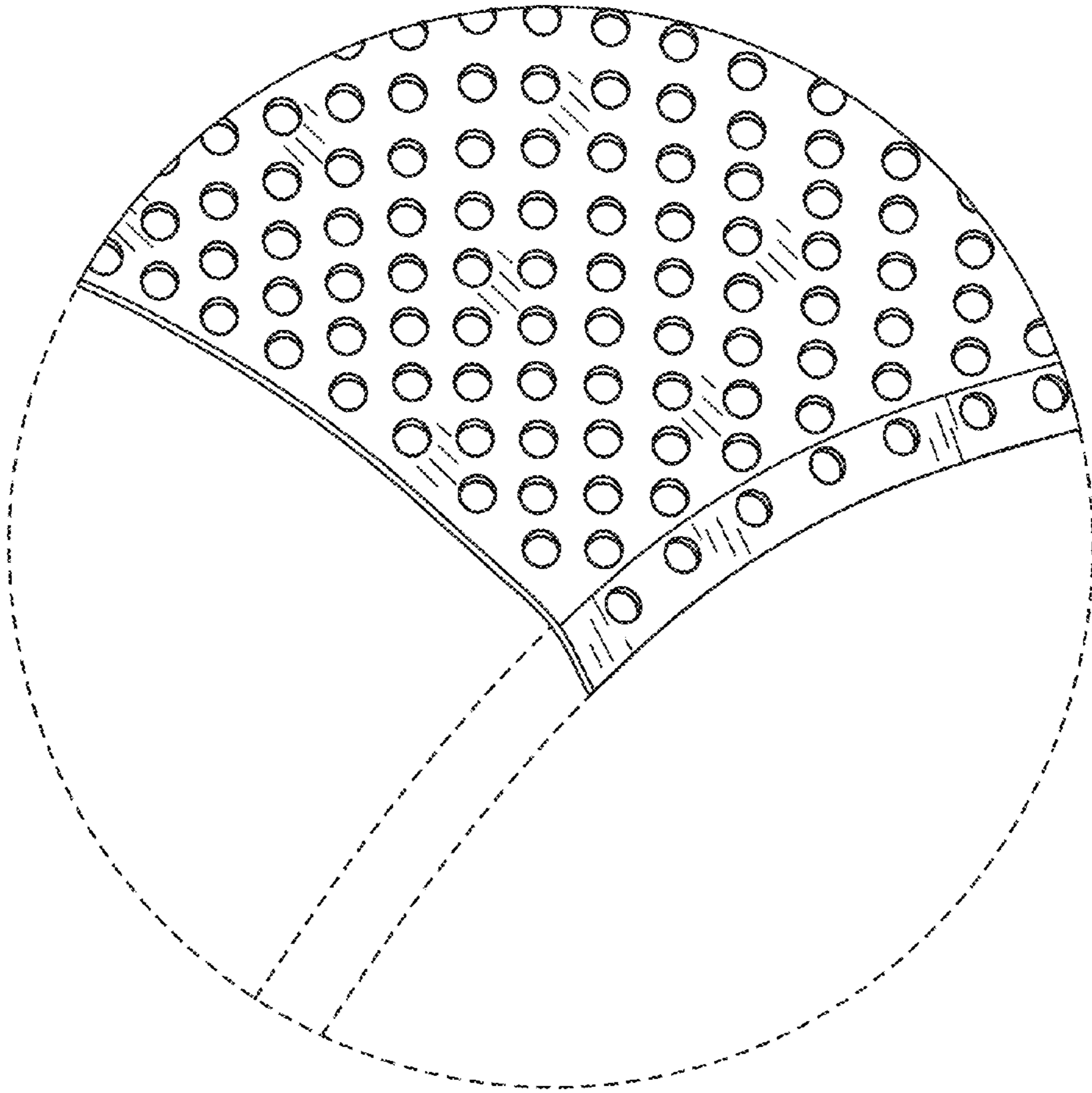


FIG. 2

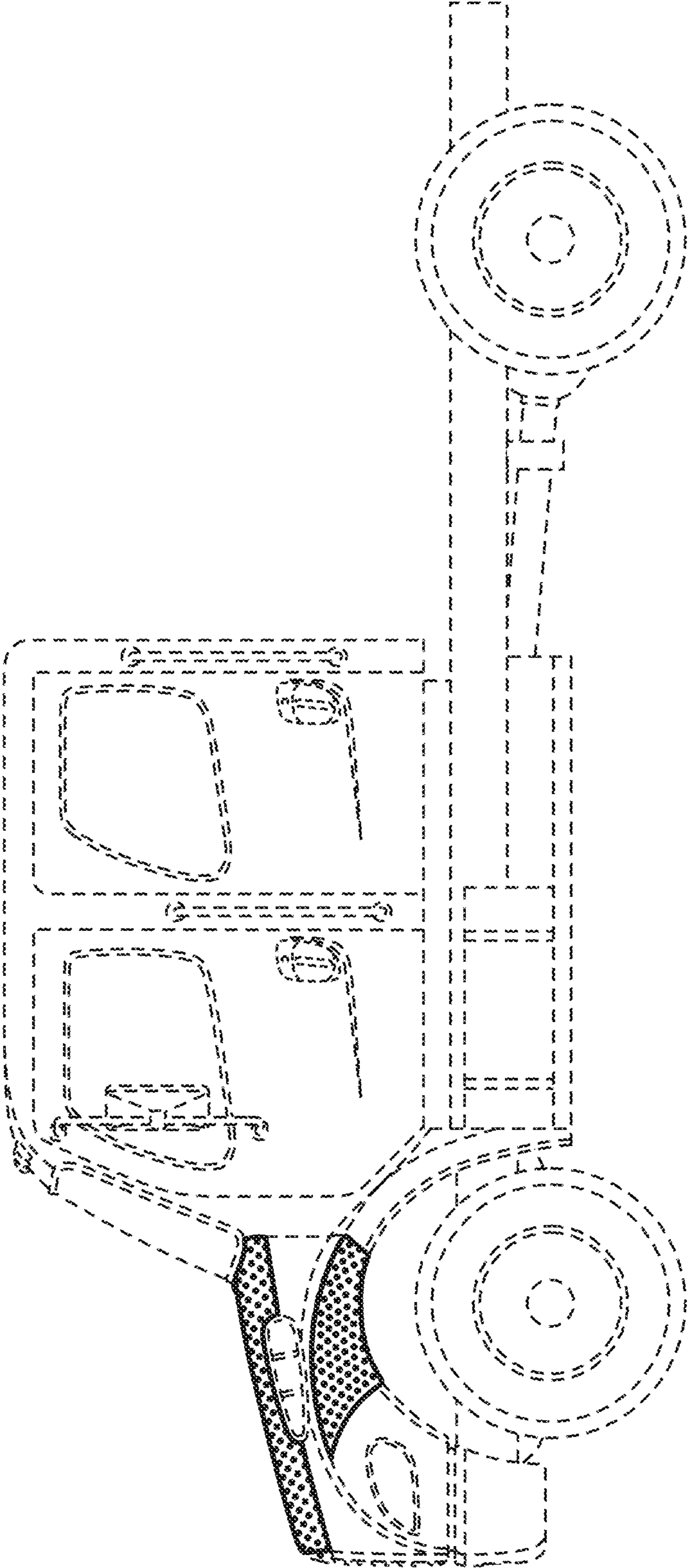


FIG. 3

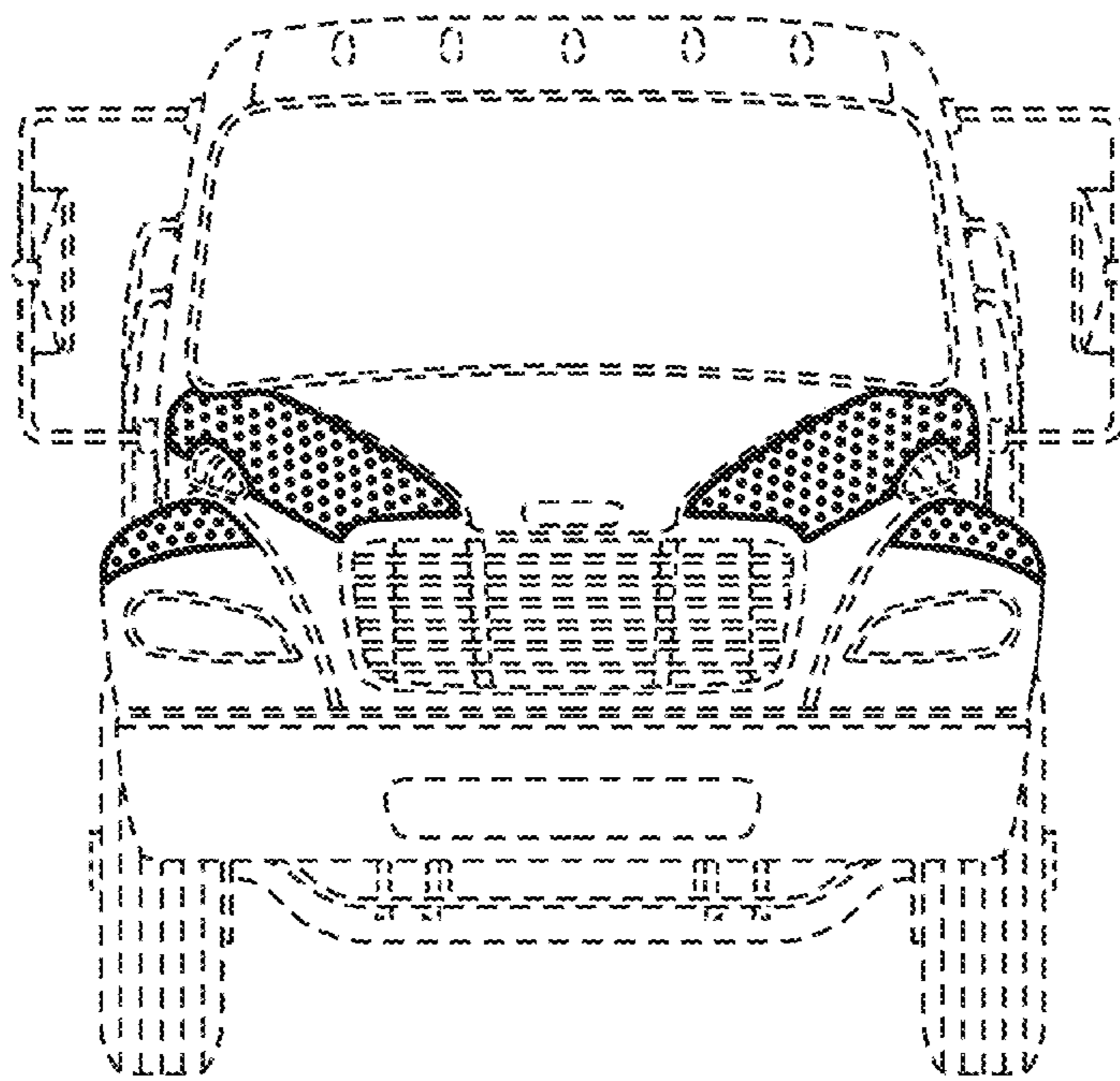


FIG. 4

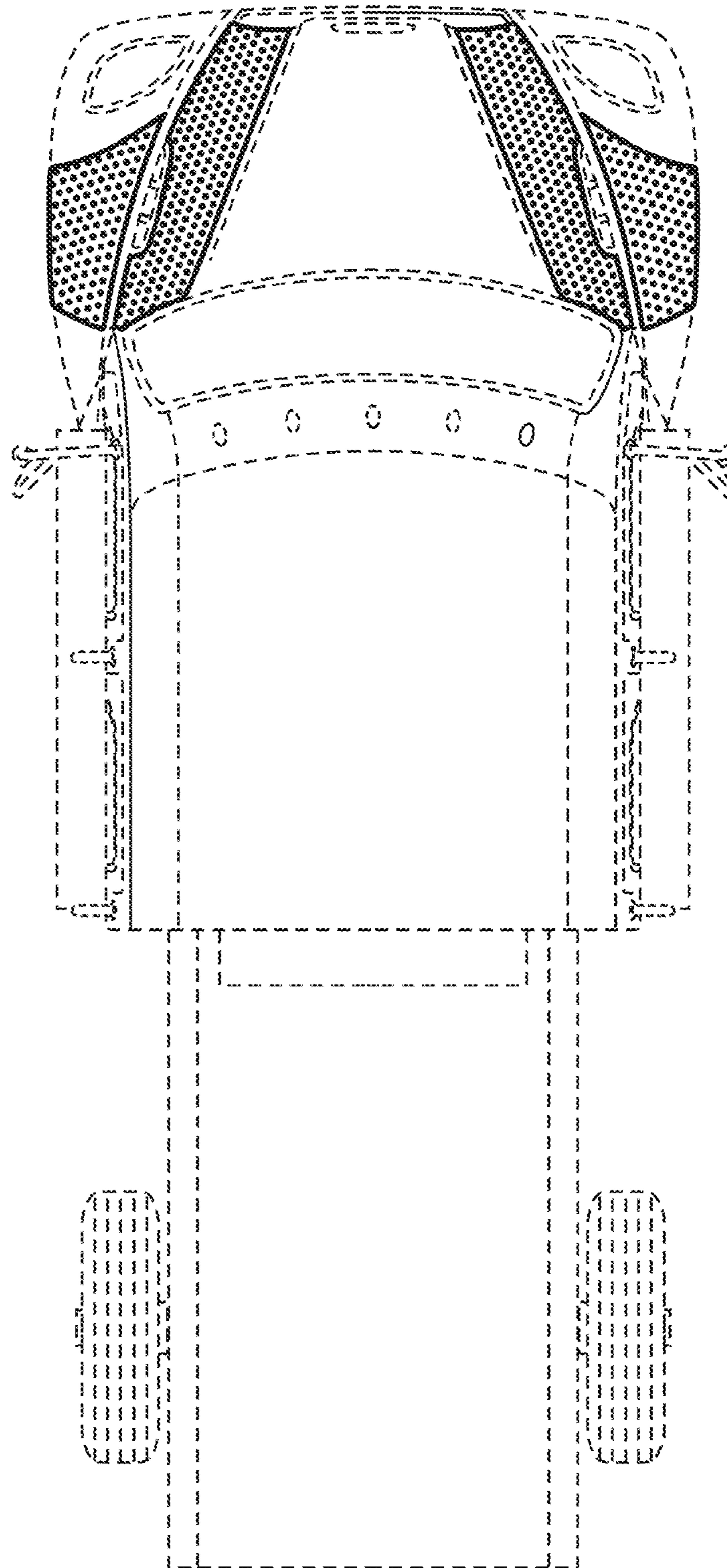


FIG. 5