



US00D704105S

(12) **United States Design Patent**
Seidenberg

(10) **Patent No.:** **US D704,105 S**

(45) **Date of Patent:** **** May 6, 2014**

(54) **DOLLY HULL SUPPORT FITTING**

(56) **References Cited**

(71) Applicant: **Dynamic Dollies & Racks, LLC**,
Portsmouth, RI (US)
(72) Inventor: **Peter Seidenberg**, Portsmouth, RI (US)
(73) Assignee: **Dynamic Dollies & Racks, LLC**,
Portsmouth, RI (US)

U.S. PATENT DOCUMENTS

| | | | | | | |
|-----------|---|---|---------|---------|-------|---------|
| 3,855,395 | A | * | 12/1974 | Cutler | | 423/344 |
| D358,698 | S | * | 5/1995 | Henry | | D34/31 |
| D524,695 | S | * | 7/2006 | Manchik | | D12/106 |
| D524,696 | S | * | 7/2006 | Manchik | | D12/106 |
| D690,234 | S | * | 9/2013 | Manchik | | D12/106 |
| D692,354 | S | * | 10/2013 | Manchik | | D12/106 |
| D696,981 | S | * | 1/2014 | Manchik | | D12/106 |

* cited by examiner

(**) Term: **14 Years**

Primary Examiner — Katrina A Betton

(21) Appl. No.: **29/475,055**

(74) *Attorney, Agent, or Firm* — Barlow, Josephs & Holmes, Ltd.

(22) Filed: **Nov. 27, 2013**

(57) **CLAIM**

The ornamental design for dolly hull support fitting, as shown and described.

(51) **LOC (10) Cl.** **12-10**

DESCRIPTION

(52) **U.S. Cl.**

USPC **D12/106**

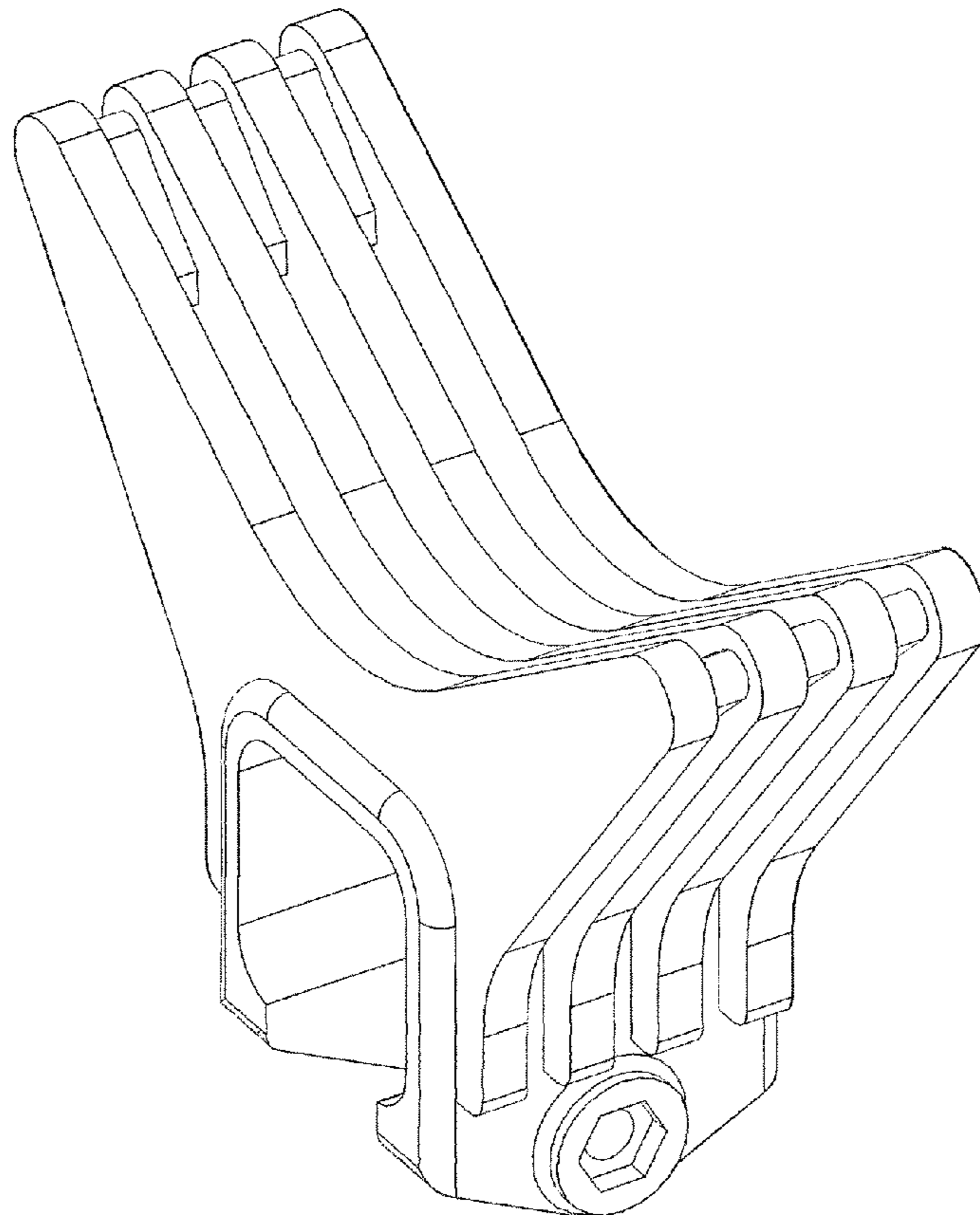
(58) **Field of Classification Search**

USPC D12/106, 19, 129, 100–105, 111–112;
D21/425, 435; D34/21–26, 12, 16–19;
280/204, 205, 63, 475, 482, 647;
296/168, 180, 180.02, 61, 10,
296/100.01–100.08

FIG. 1 is a front perspective view of the dolly hull support fitting in accordance with the present invention;
FIG. 2 is a rear perspective view thereof;
FIG. 3 is a front view thereof
FIG. 4 is a top view thereof;
FIG. 5 is a right view thereof;
FIG. 6 is a rear view thereof;
FIG. 7 is a left view thereof; and,
FIG. 8 is a bottom view thereof.

See application file for complete search history.

1 Claim, 8 Drawing Sheets



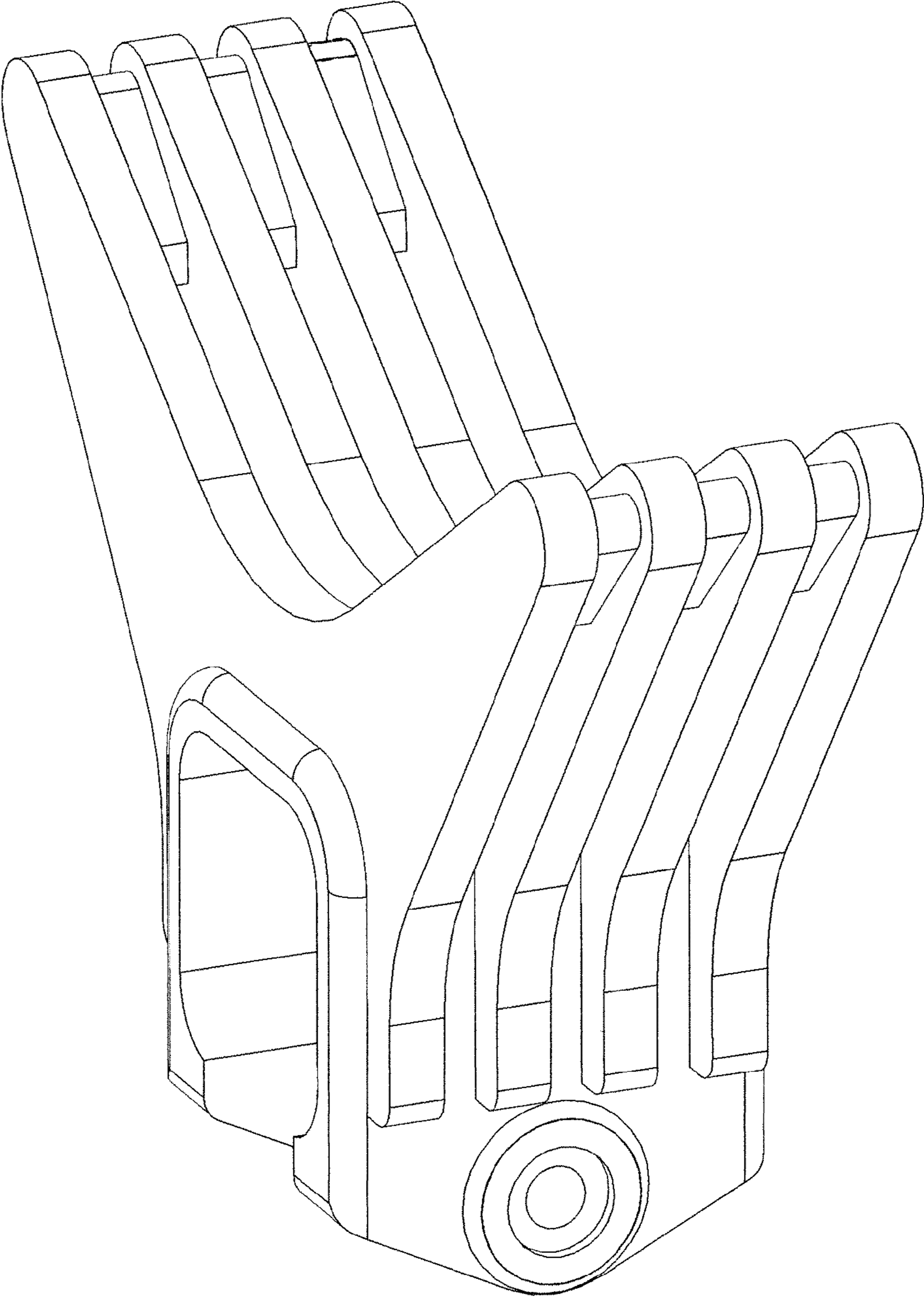


Fig. 1

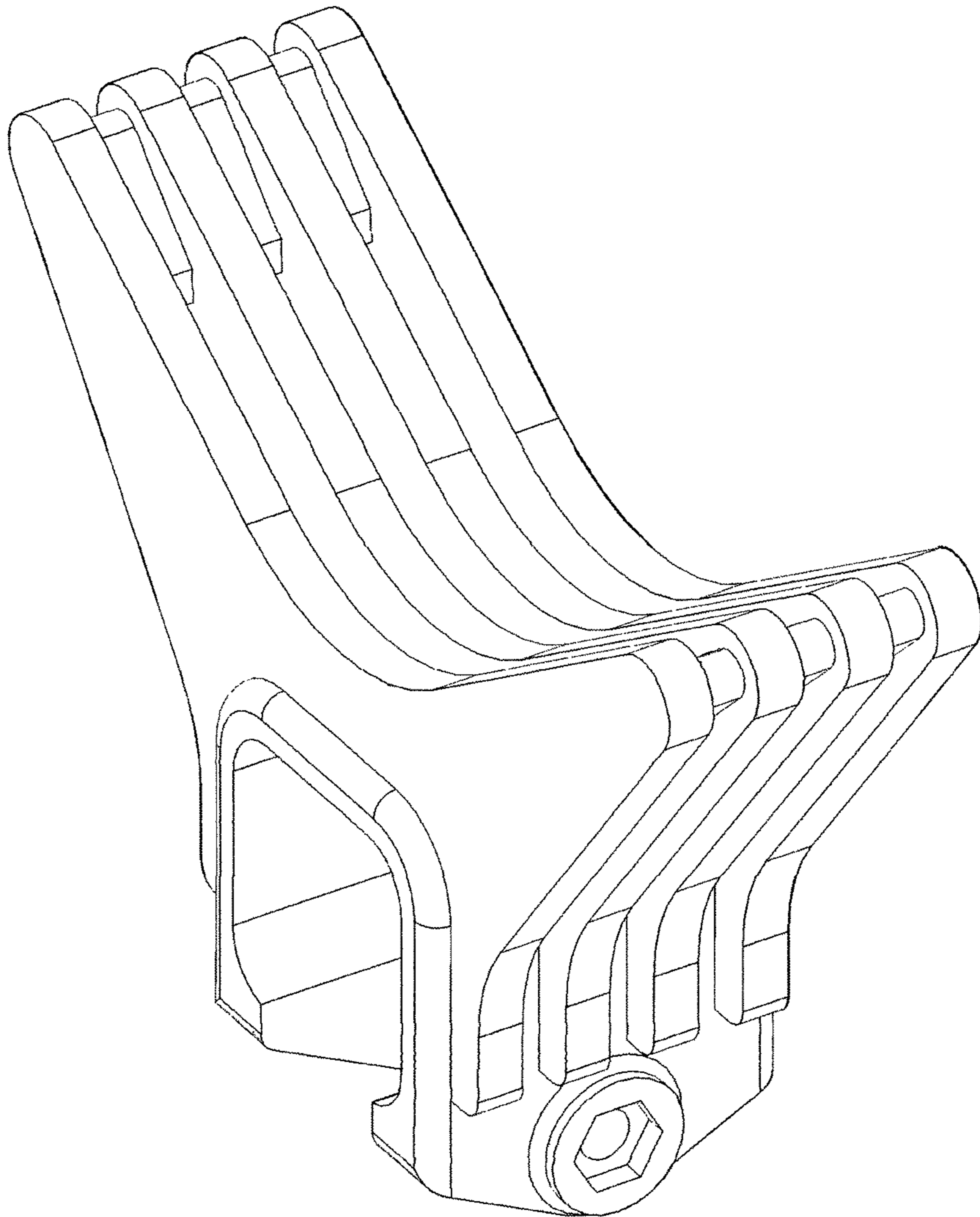


Fig. 2

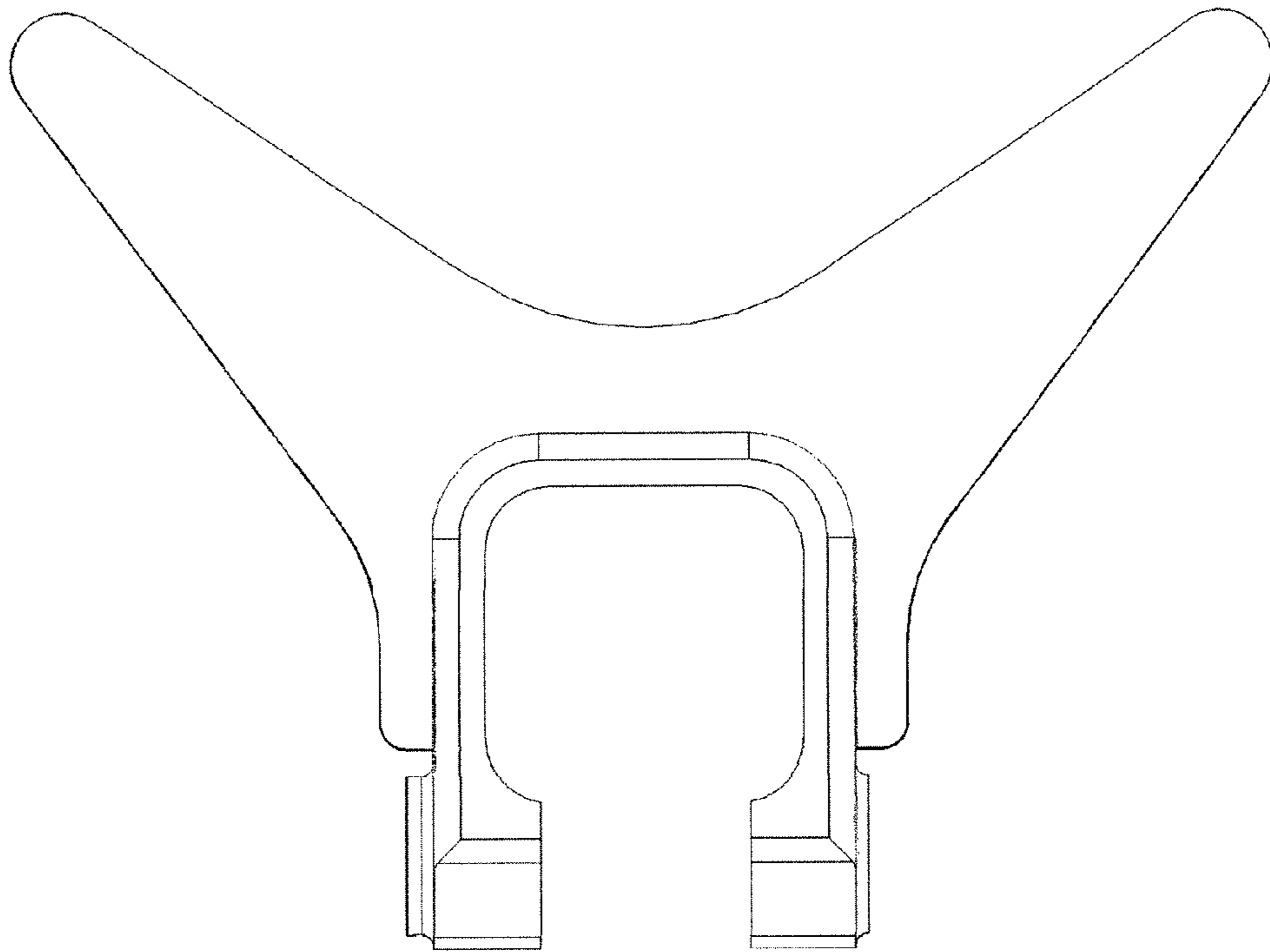


Fig. 3

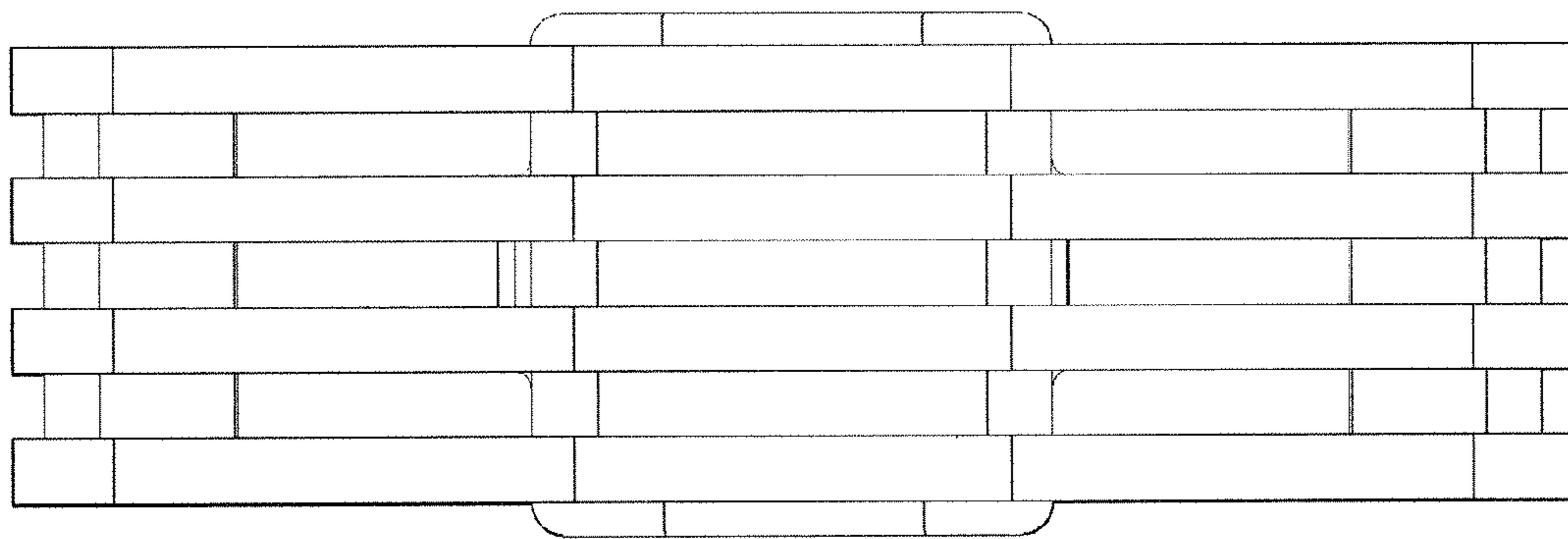


Fig. 4

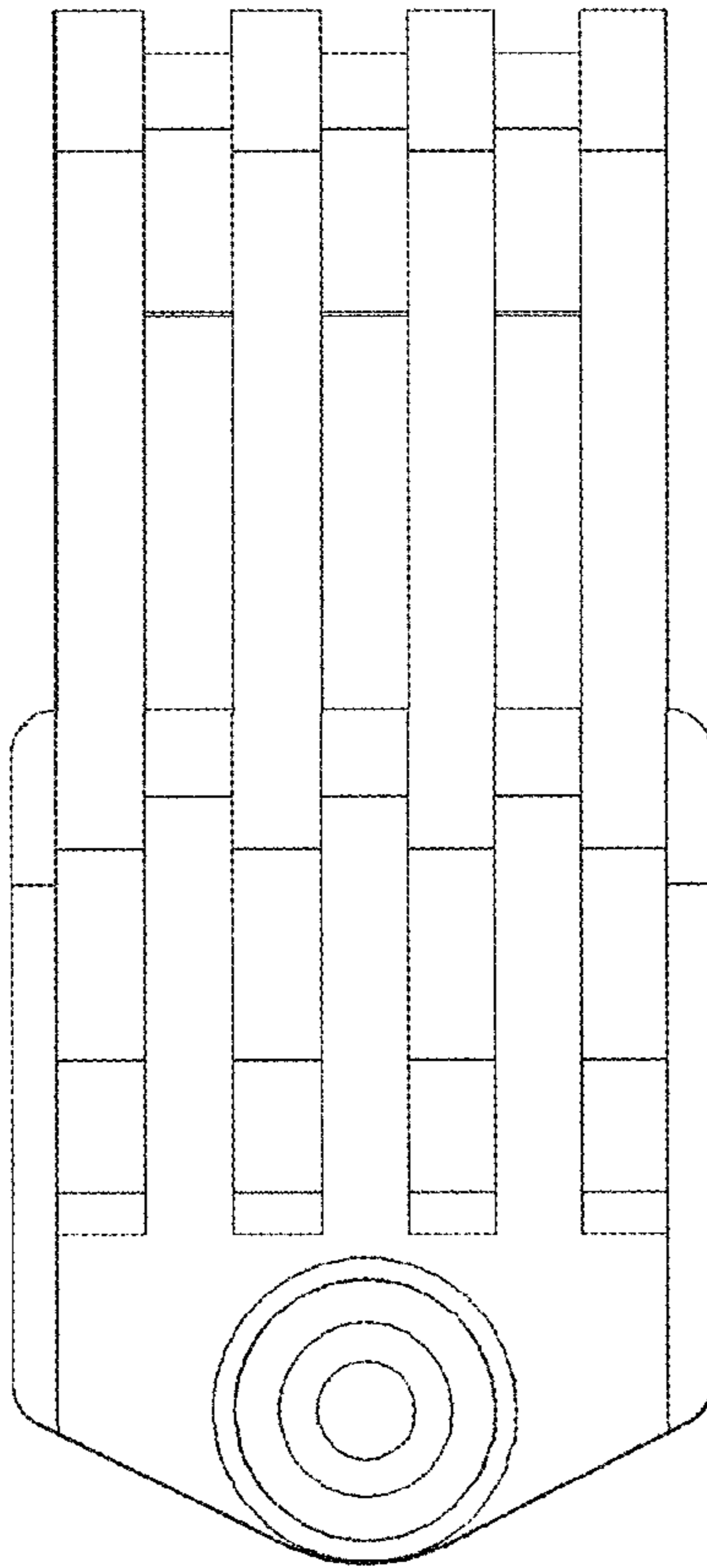


Fig. 5

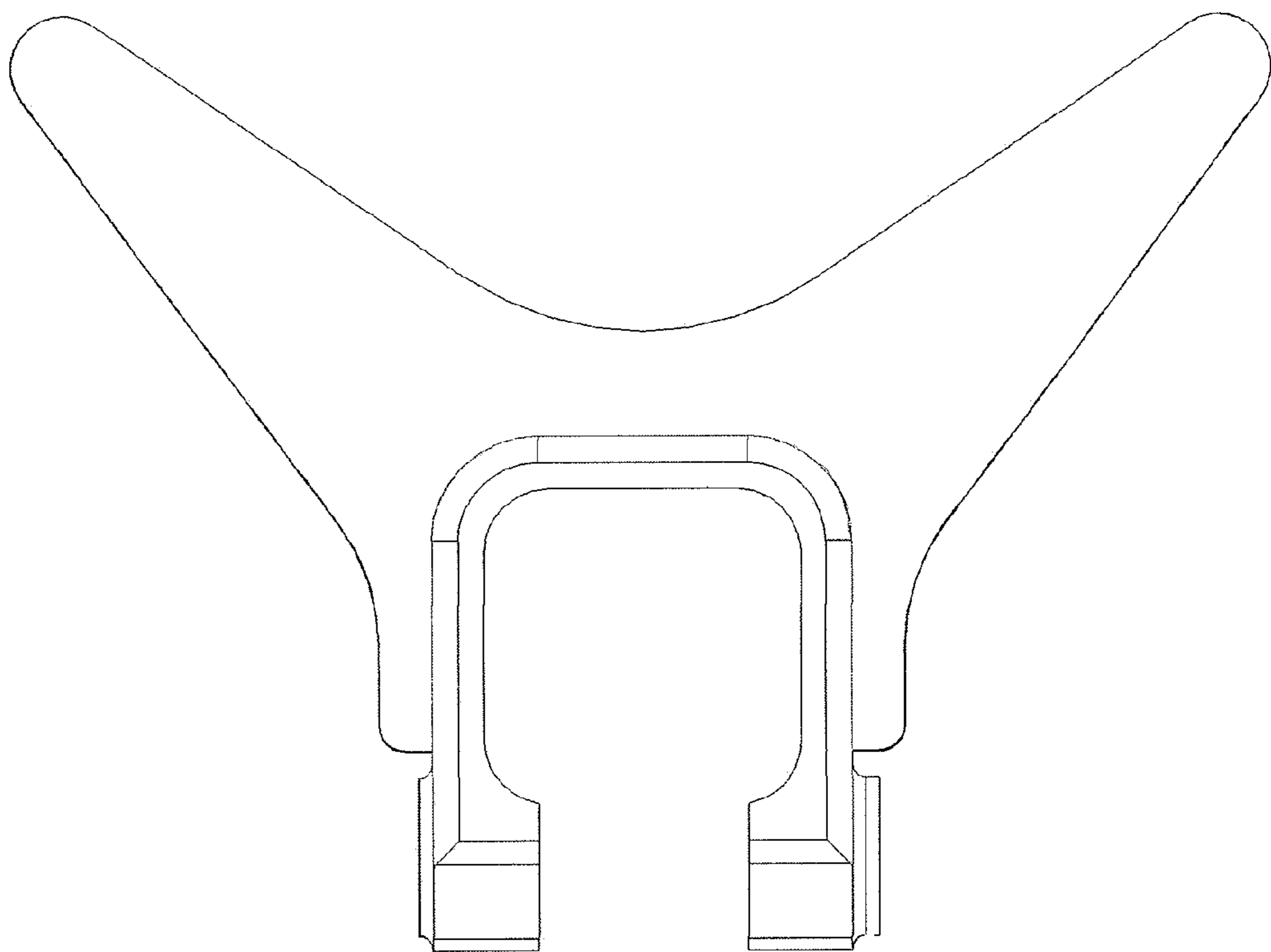


Fig. 6

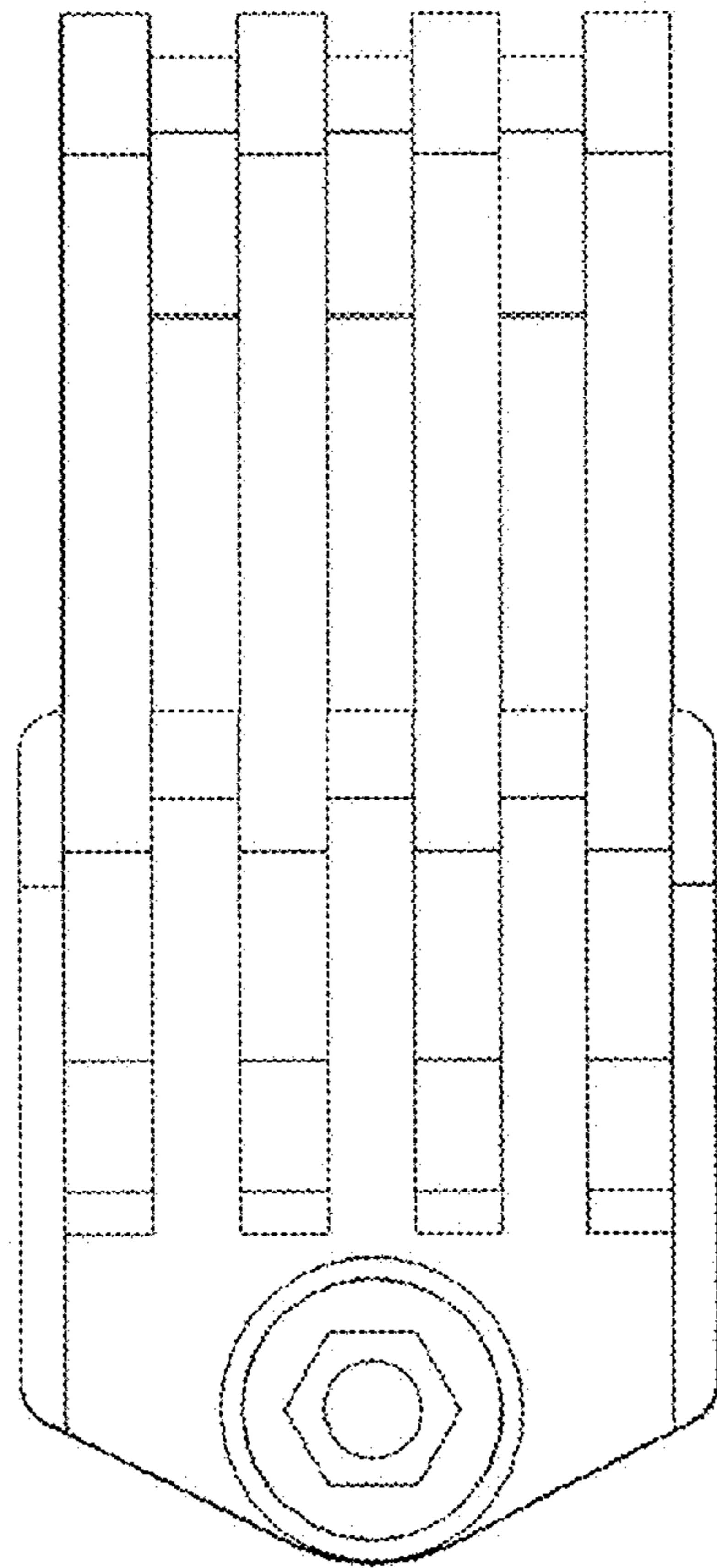


Fig. 7

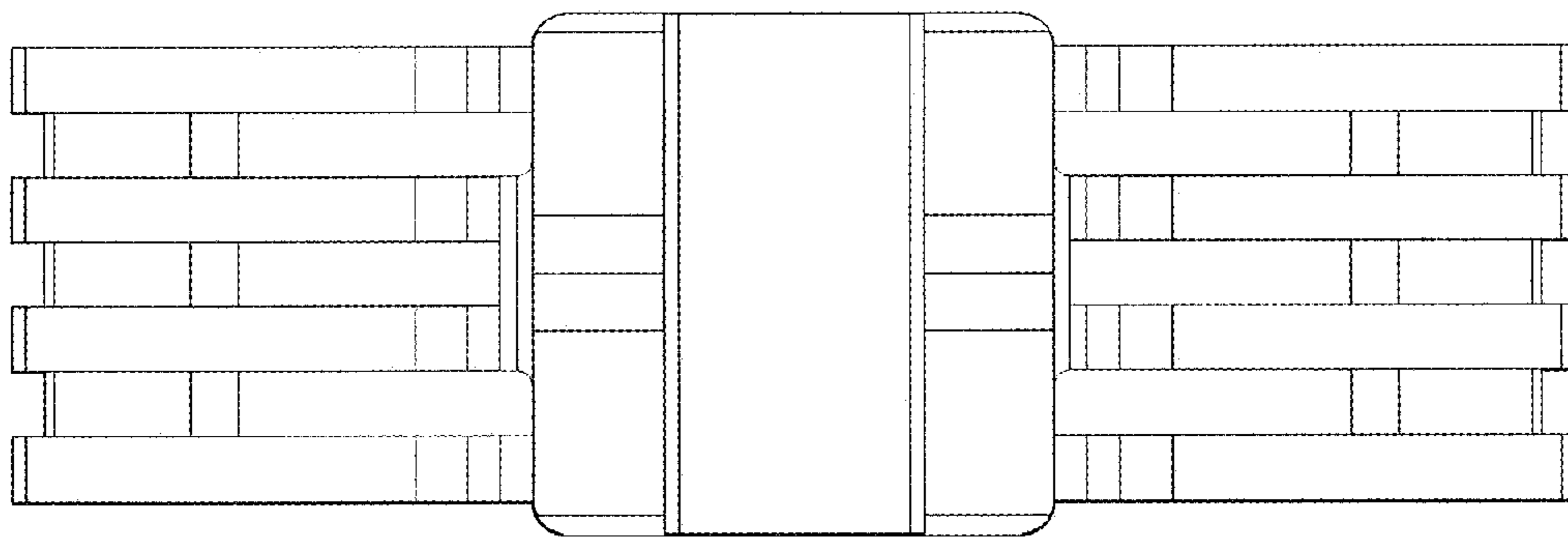


Fig. 8