



US00D704101S

(12) **United States Design Patent**
Beaven

(10) **Patent No.:** **US D704,101 S**
(45) **Date of Patent:** **** May 6, 2014**

(54) **VEHICLE**

(75) Inventor: **Matthew Beaven**, Coventry (GB)

(73) Assignee: **Jaguar Cars Limited** (GB)

(**) Term: **14 Years**

(21) Appl. No.: **29/431,982**

(22) Filed: **Sep. 12, 2012**

(51) **LOC (10) Cl.** **12-08**

(52) **U.S. Cl.**
USPC **D12/92**

(58) **Field of Classification Search**
USPC D12/86, 90–92, 88; D21/424, 433, 434;
296/181.1, 181.5
See application file for complete search history.

(56) **References Cited**

U.S. PATENT DOCUMENTS

D671,036	S	*	11/2012	Inatomi et al.	D12/92
D671,457	S	*	11/2012	Goto et al.	D12/92
D684,095	S	*	6/2013	Beaven	D12/92
D687,349	S	*	8/2013	Krugger et al.	D12/92
D687,740	S	*	8/2013	Yamanaka et al.	D12/92
D692,348	S	*	10/2013	Whelan	D12/92

* cited by examiner

Primary Examiner — Melody Brown

(74) *Attorney, Agent, or Firm* — Rader, Fishman & Grauer PLLC

(57) **CLAIM**

The ornamental design for a vehicle, as shown and described.

DESCRIPTION

FIG. 1 is a front perspective view of a first embodiment of a vehicle with the convertible top stowed;
FIG. 2 is a rear perspective view of a first embodiment of a vehicle with the convertible top stowed;

FIG. 3 is a left side view of a first embodiment of a vehicle with the convertible top stowed;
FIG. 4 is a right side view of a first embodiment of a vehicle with the convertible top stowed;
FIG. 5 is a front view of a first embodiment of a vehicle with the convertible top stowed;
FIG. 6 is a rear view of a first embodiment of a vehicle with the convertible top stowed;
FIG. 7 is a top view of a first embodiment of a vehicle with the convertible top stowed;
FIG. 8 is a front perspective view of a first embodiment of a vehicle with the convertible top raised;
FIG. 9 is a rear perspective view of a first embodiment of a vehicle with the convertible top raised;
FIG. 10 is a left side view of a first embodiment of a vehicle with the convertible top raised;
FIG. 11 is a right side view of a first embodiment of a vehicle with the convertible top raised;
FIG. 12 is a front view of a first embodiment of a vehicle with the convertible top raised;
FIG. 13 is a rear view of a first embodiment of a vehicle with the convertible top raised;
FIG. 14 is a top view of a first embodiment of a vehicle with the convertible top raised;
FIG. 15 is a front perspective view of a second embodiment of a vehicle with the convertible top stowed;
FIG. 16 is a rear perspective view of a second embodiment of a vehicle with the convertible top stowed;
FIG. 17 is a left side view of a second embodiment of a vehicle with the convertible top stowed;
FIG. 18 is a right side view of a second embodiment of a vehicle with the convertible top stowed;
FIG. 19 is a front view of a second embodiment of a vehicle with the convertible top stowed;
FIG. 20 is a rear view of a second embodiment of a vehicle with the convertible top stowed;
FIG. 21 is a top view of a second embodiment of a vehicle with the convertible top stowed;
FIG. 22 is a front perspective view of a second embodiment of a vehicle with the convertible top raised;
FIG. 23 is a rear perspective view of a second embodiment of a vehicle with the convertible top raised;
FIG. 24 is a left side view of a second embodiment of a vehicle with the convertible top raised;

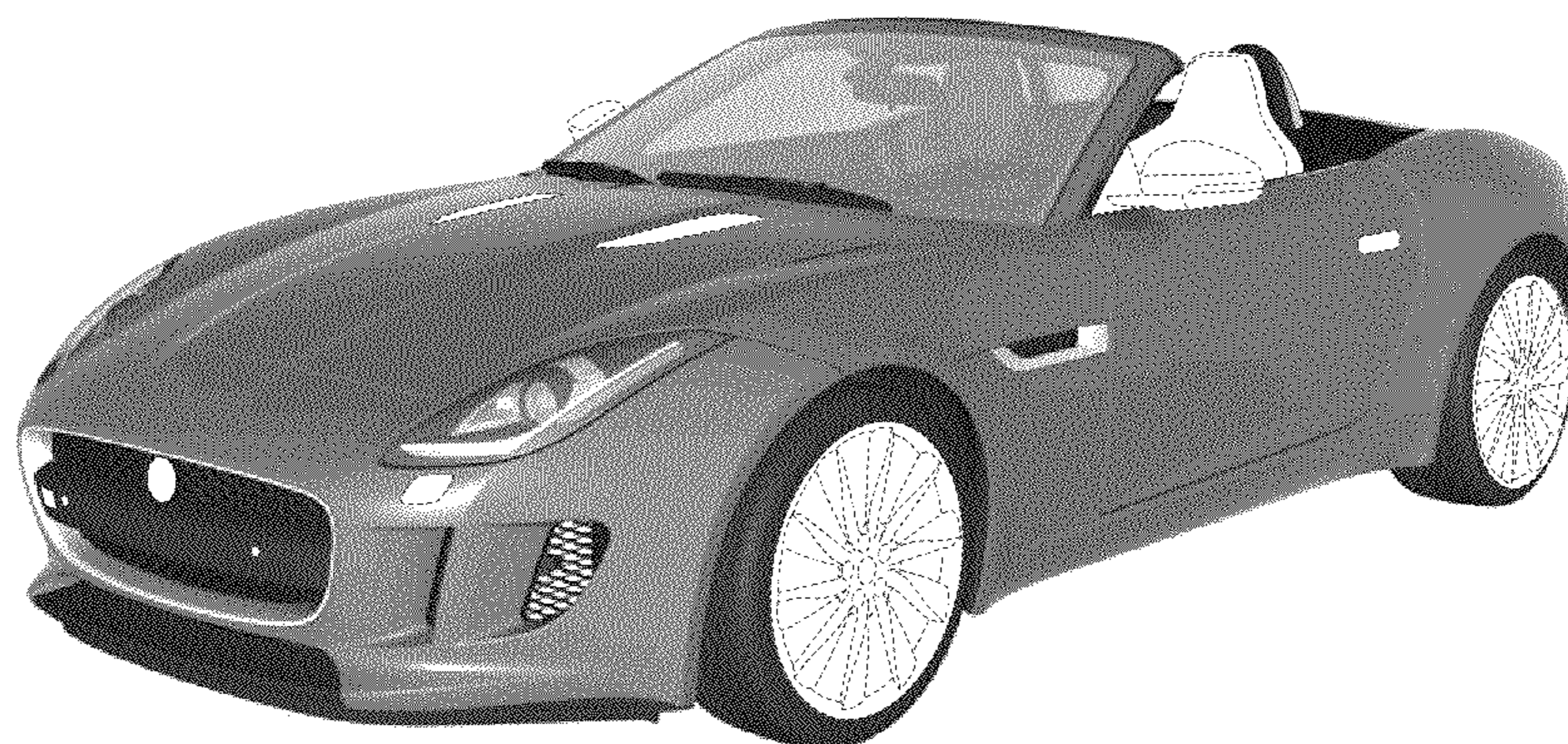


FIG. **25** is a right side view of a second embodiment of a vehicle with the convertible top raised;

FIG. **26** is a front view of a second embodiment of a vehicle with the convertible top raised;

FIG. **27** is a rear view of a second embodiment of a vehicle with the convertible top raised; and,

FIG. **28** is a top view of a second embodiment of a vehicle with the convertible top raised.

Portions of FIGS. **1-28** that are shown as broken lines are for illustrative purpose only and form no part of the claimed design.

1 Claim, 24 Drawing Sheets

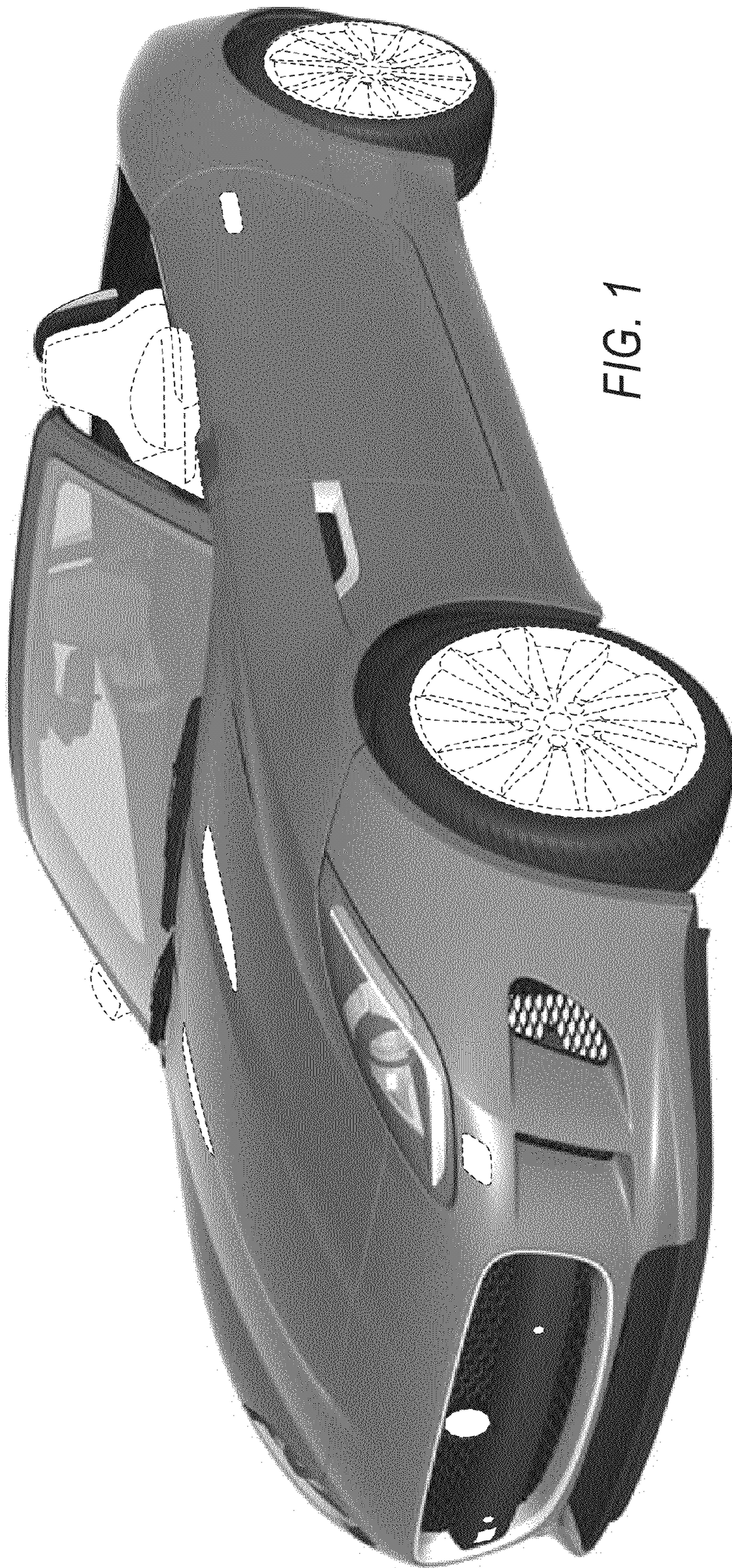


FIG. 1

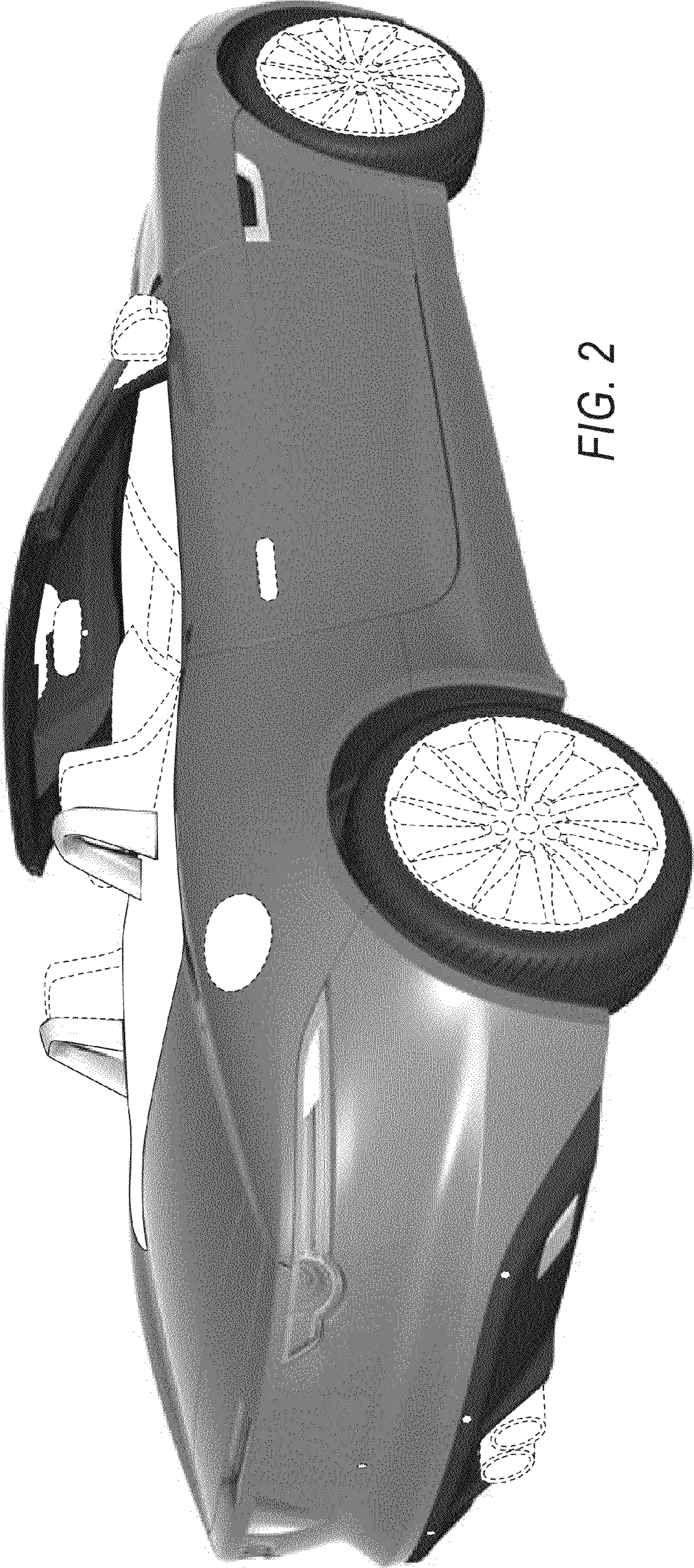


FIG. 2

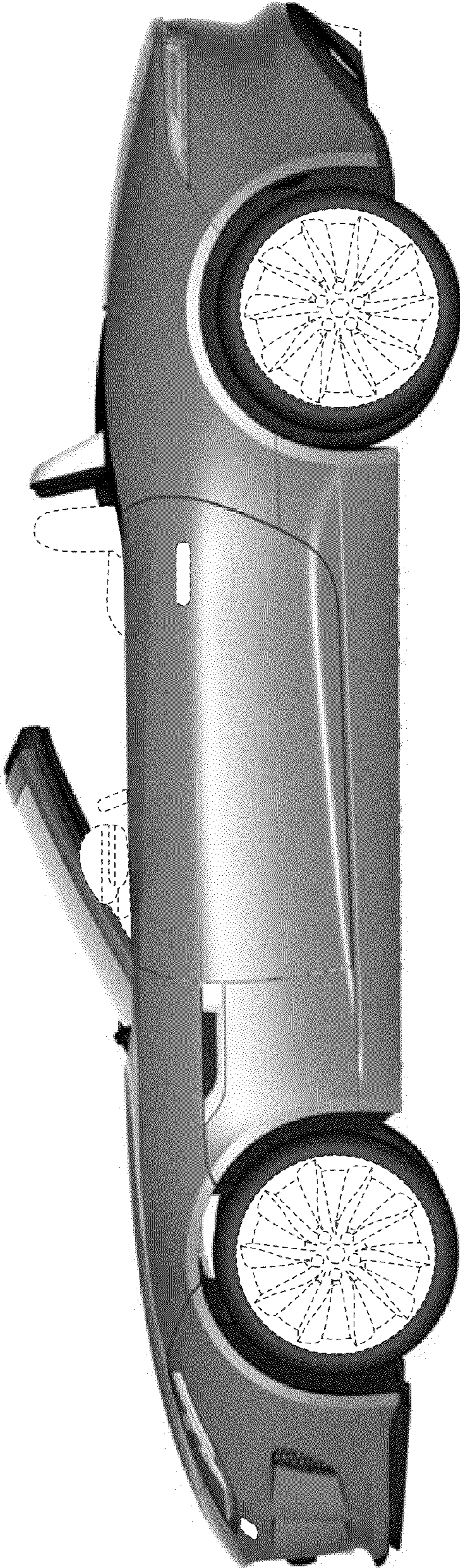


FIG. 3

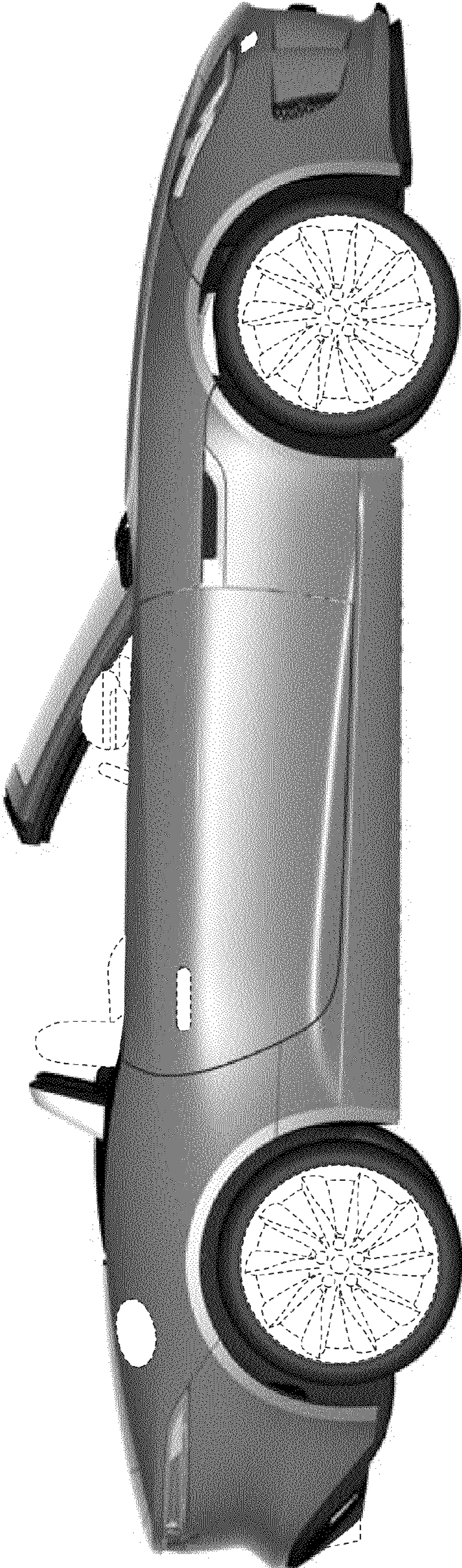


FIG. 4

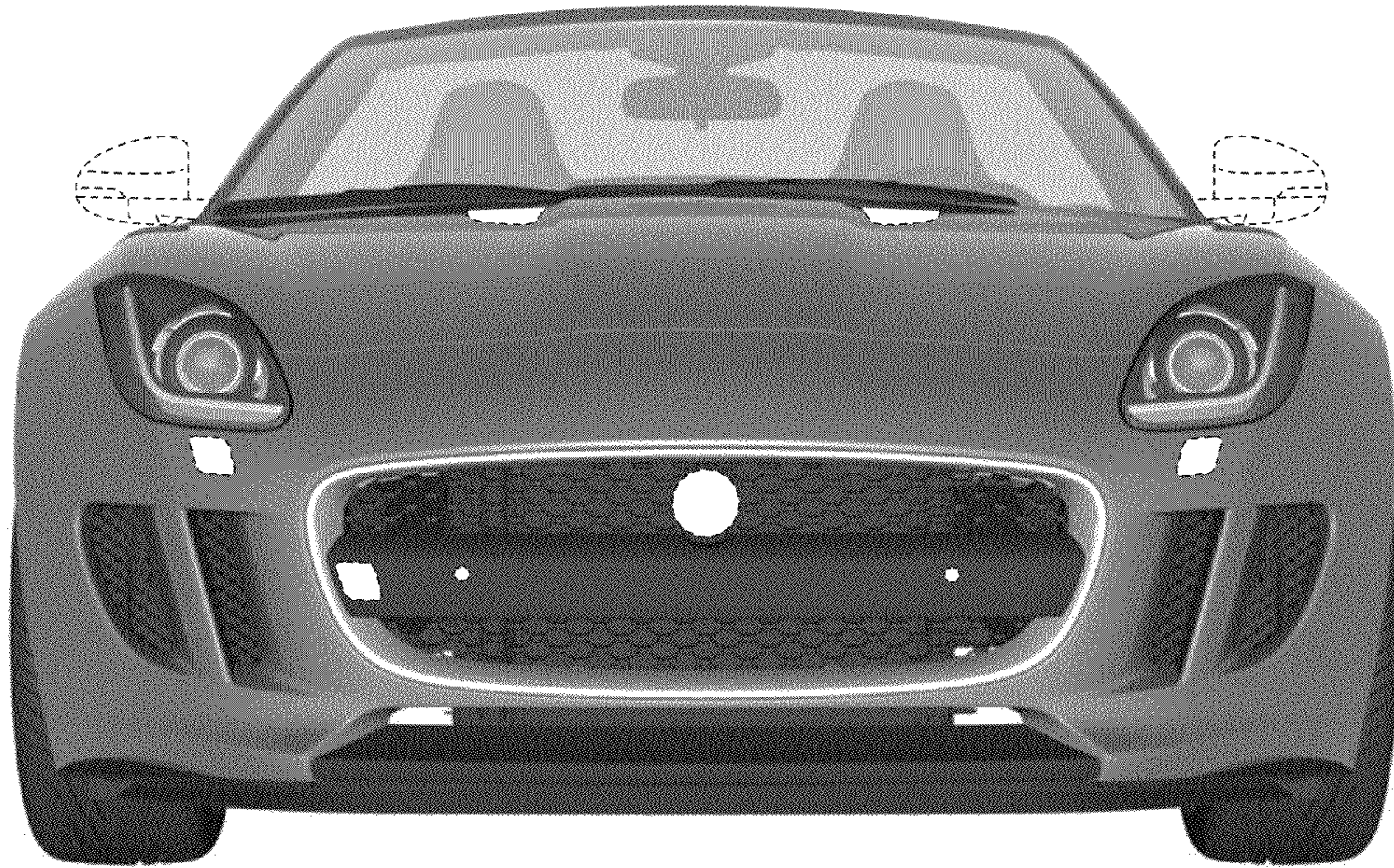


FIG. 5

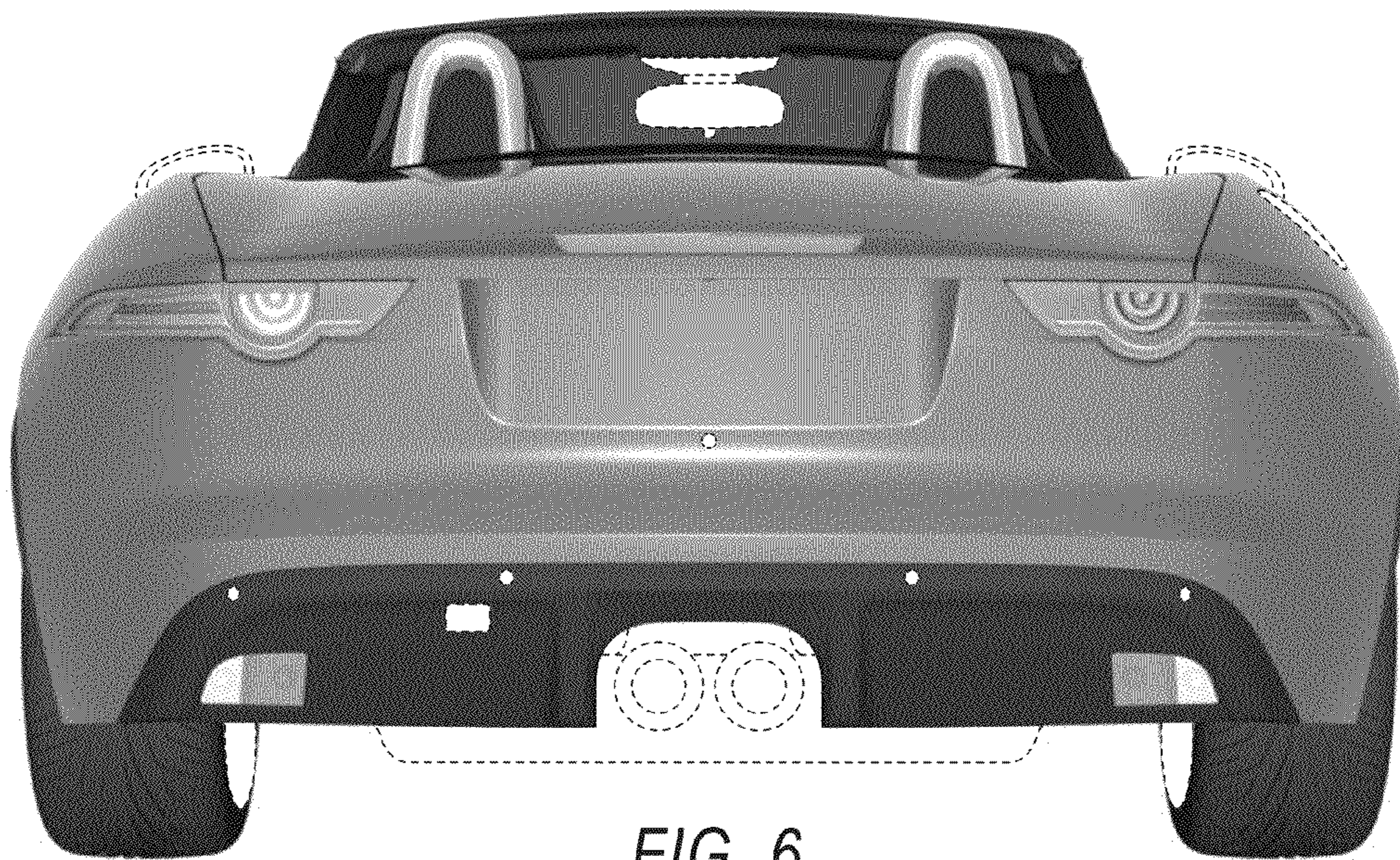


FIG. 6

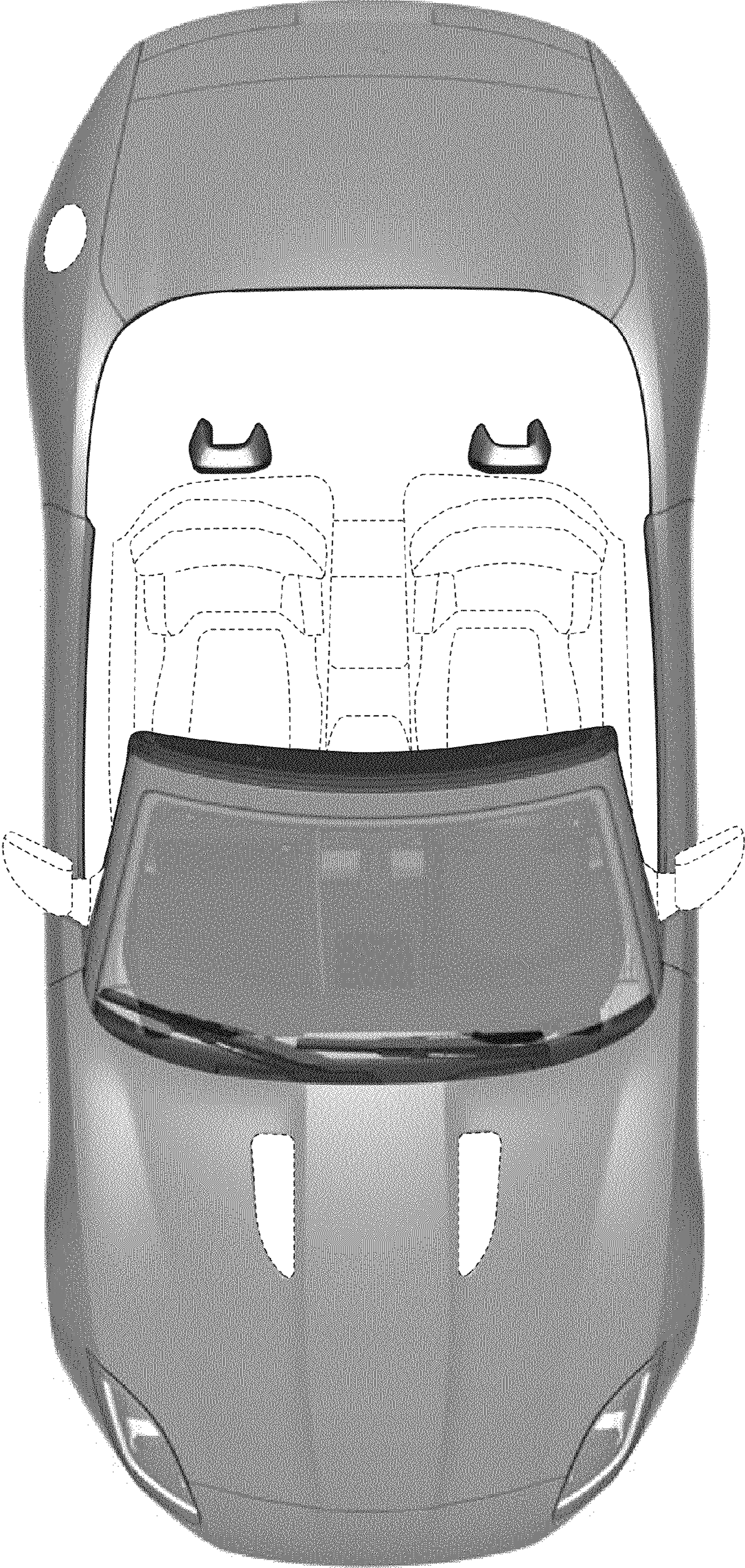


FIG. 7

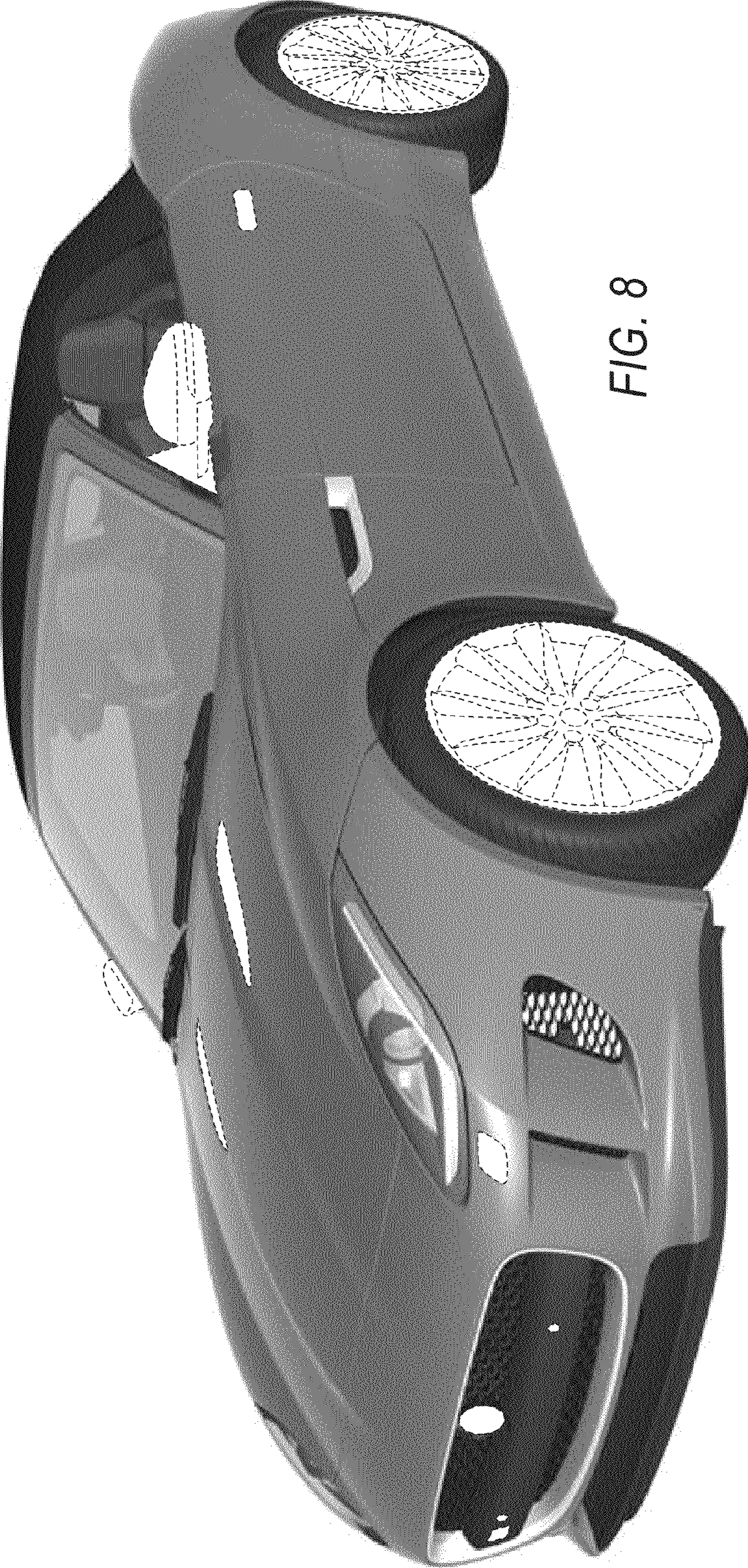


FIG. 8



FIG. 9

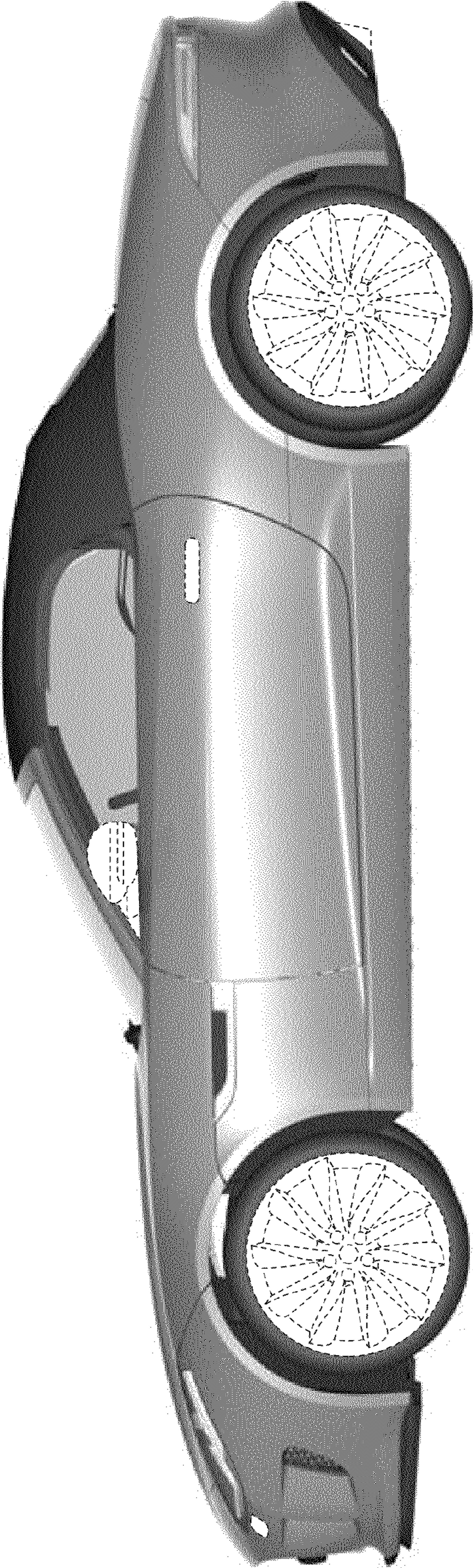


FIG. 10

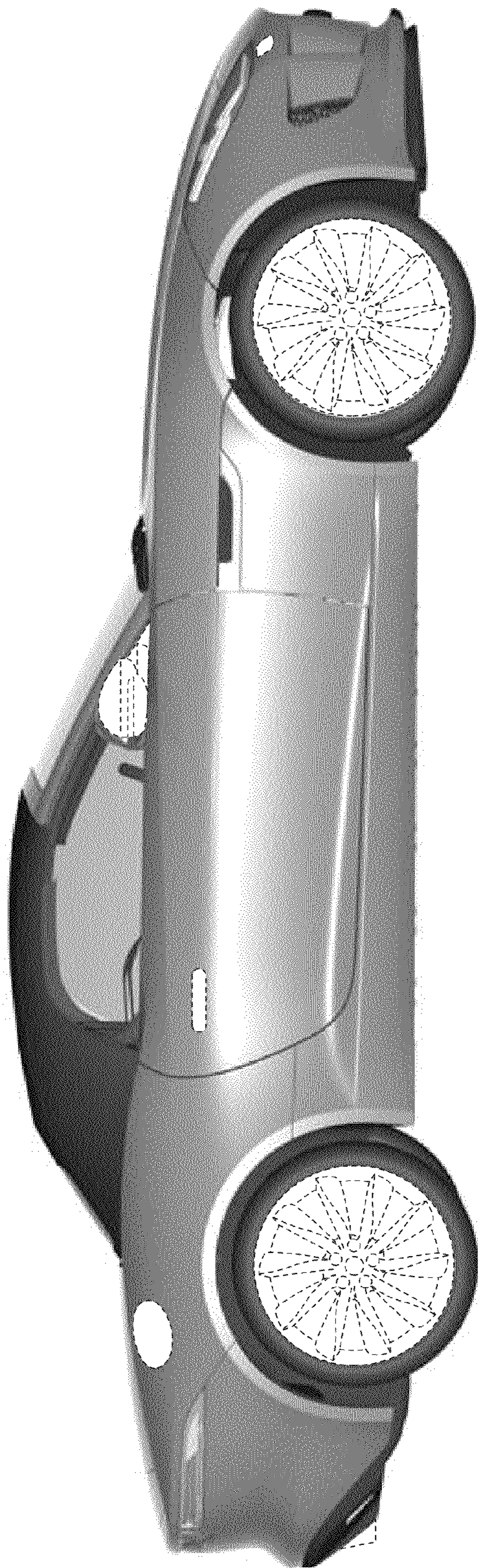


FIG. 11



FIG. 12

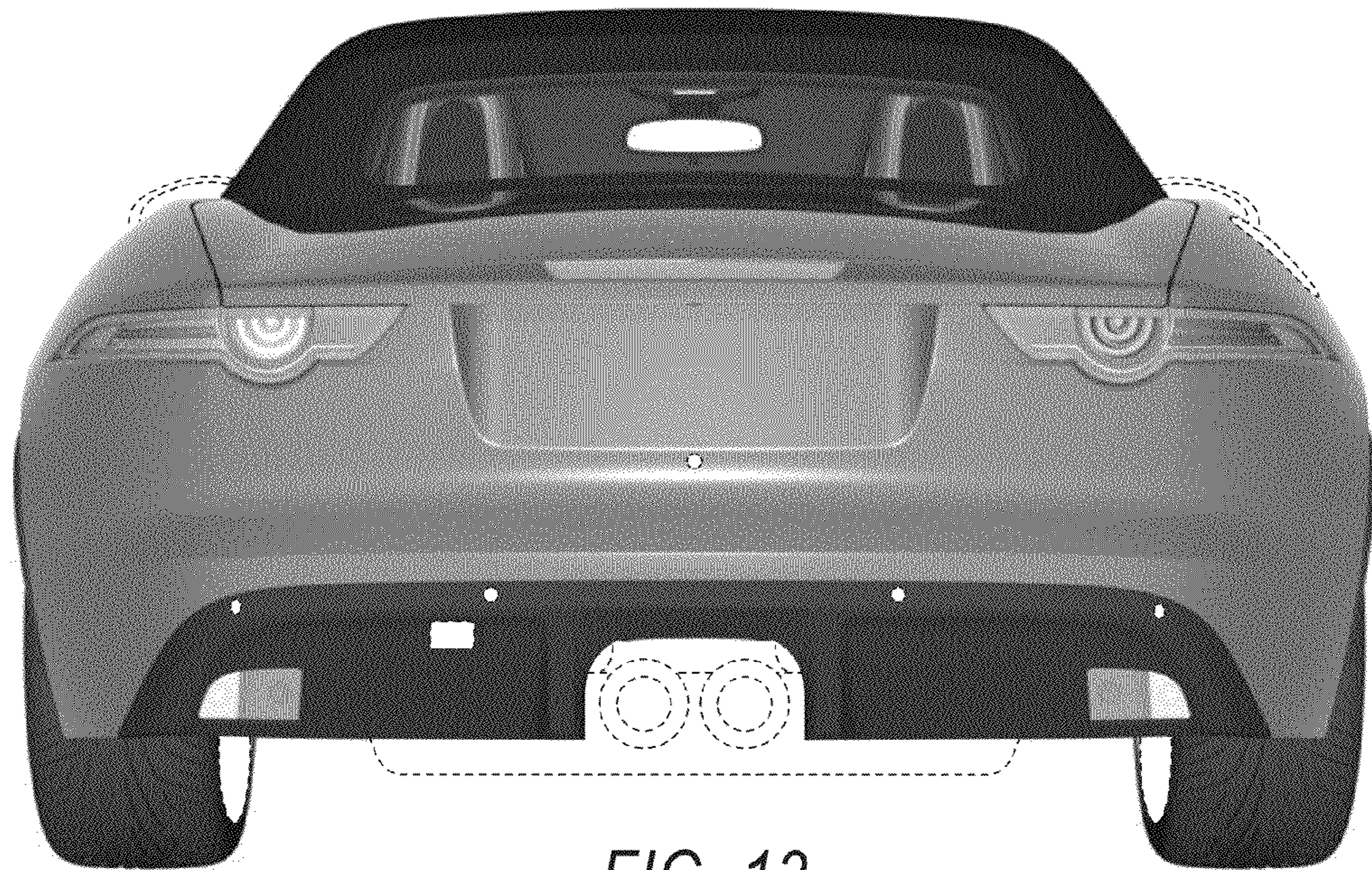


FIG. 13

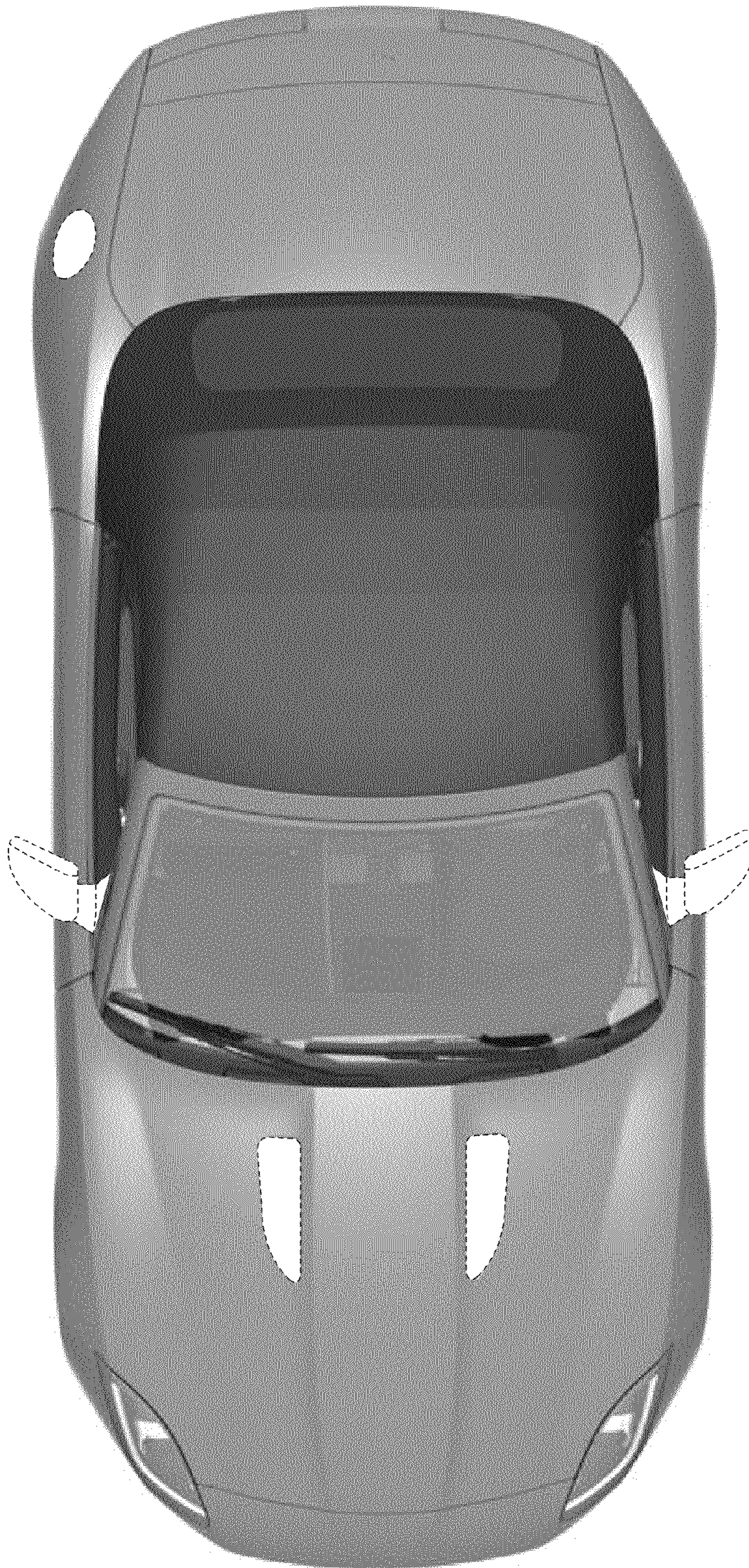


FIG. 14



FIG. 15

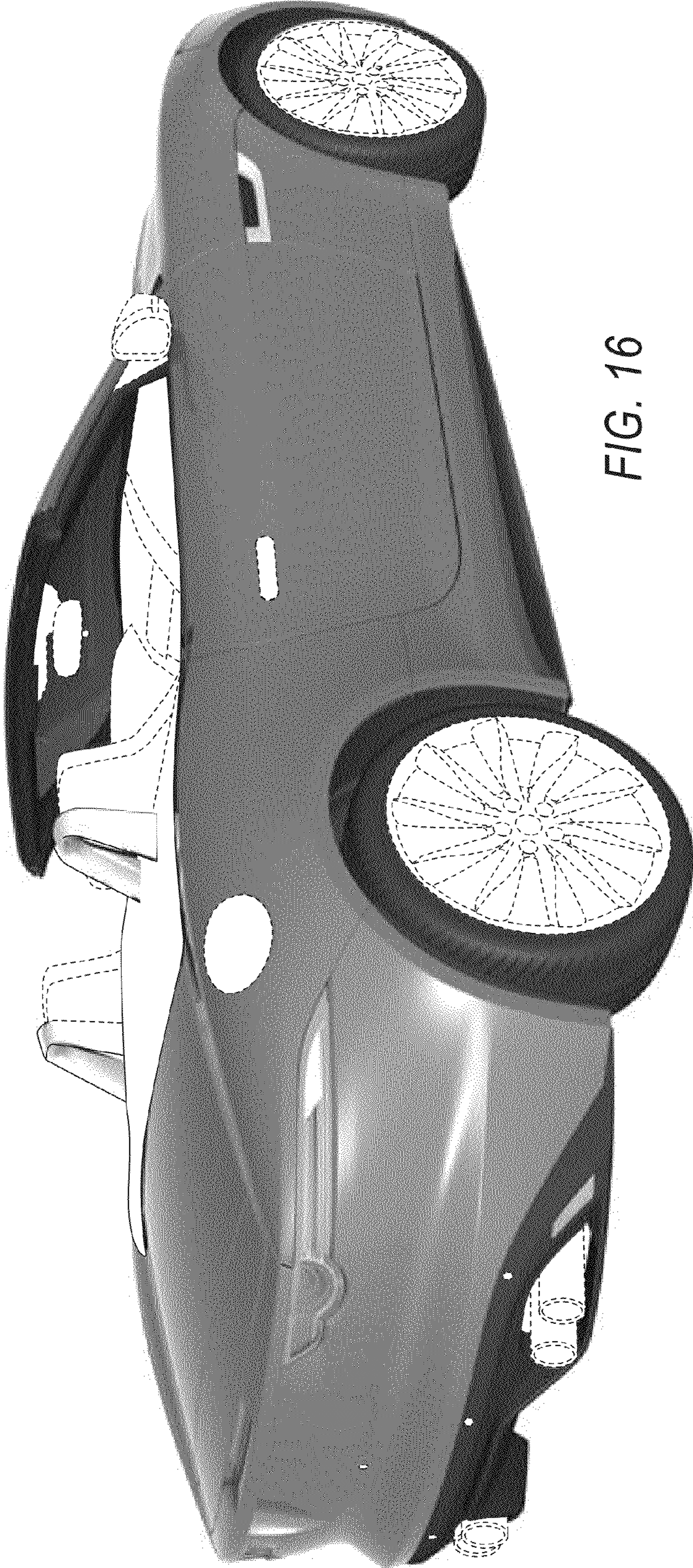


FIG. 16

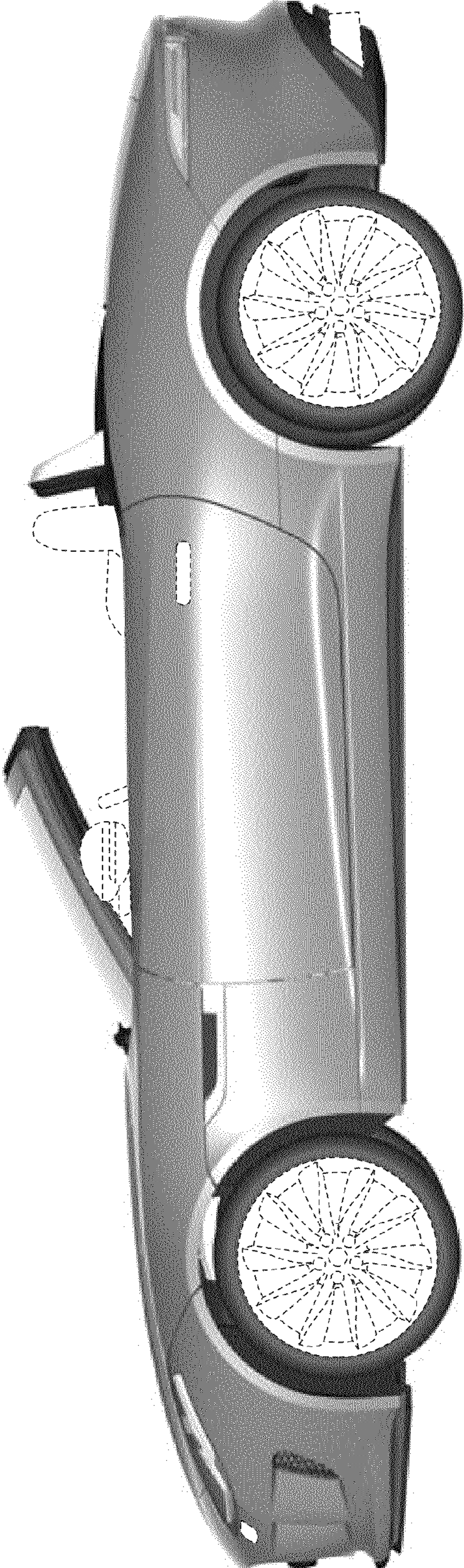


FIG. 17

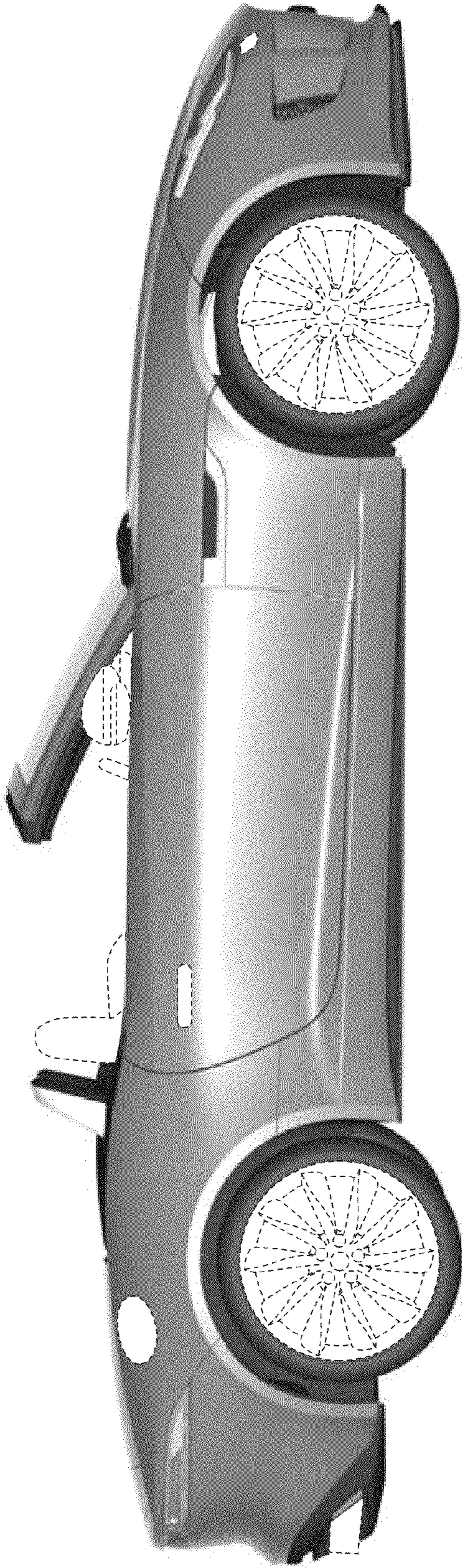


FIG. 18



FIG. 19

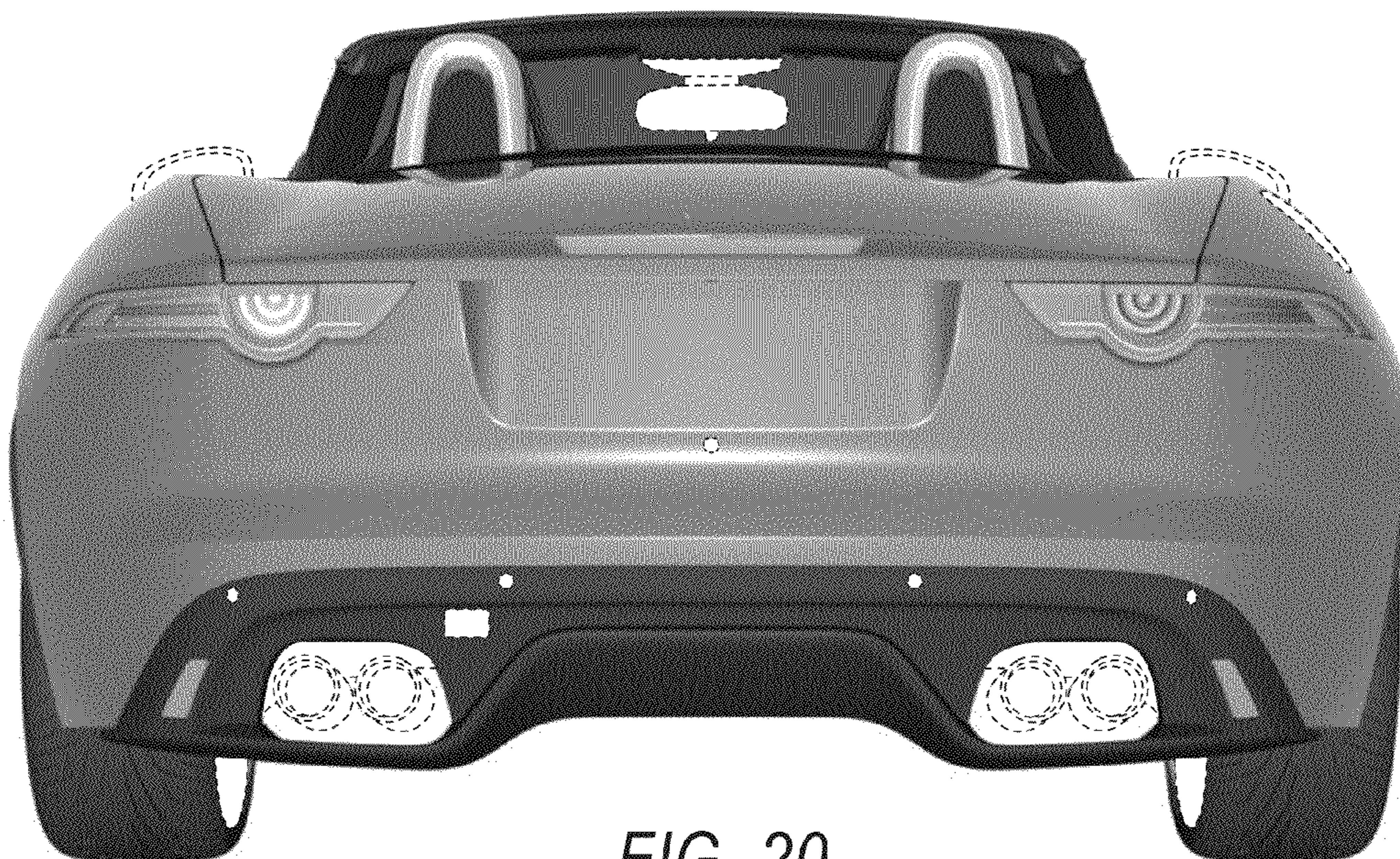


FIG. 20

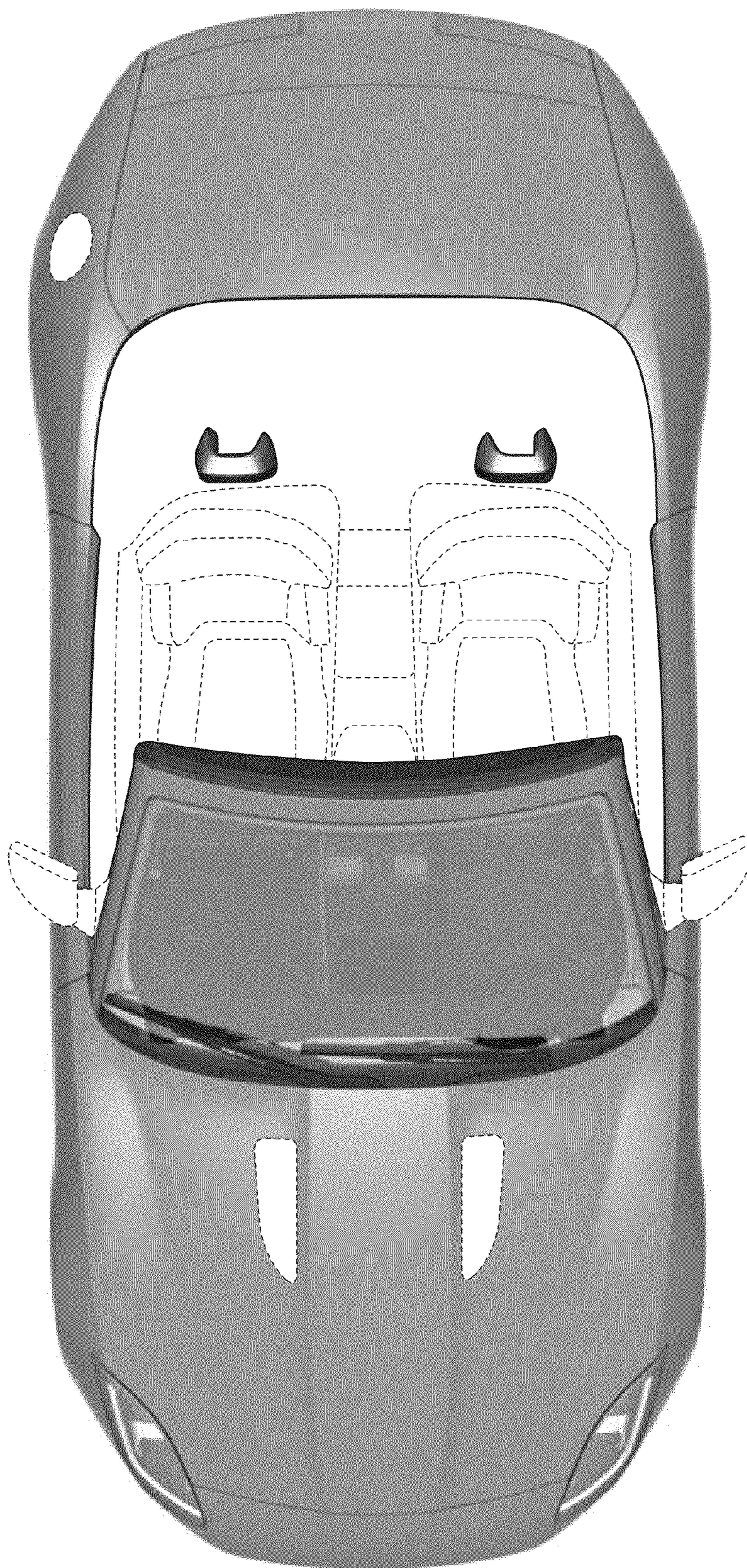


FIG. 21

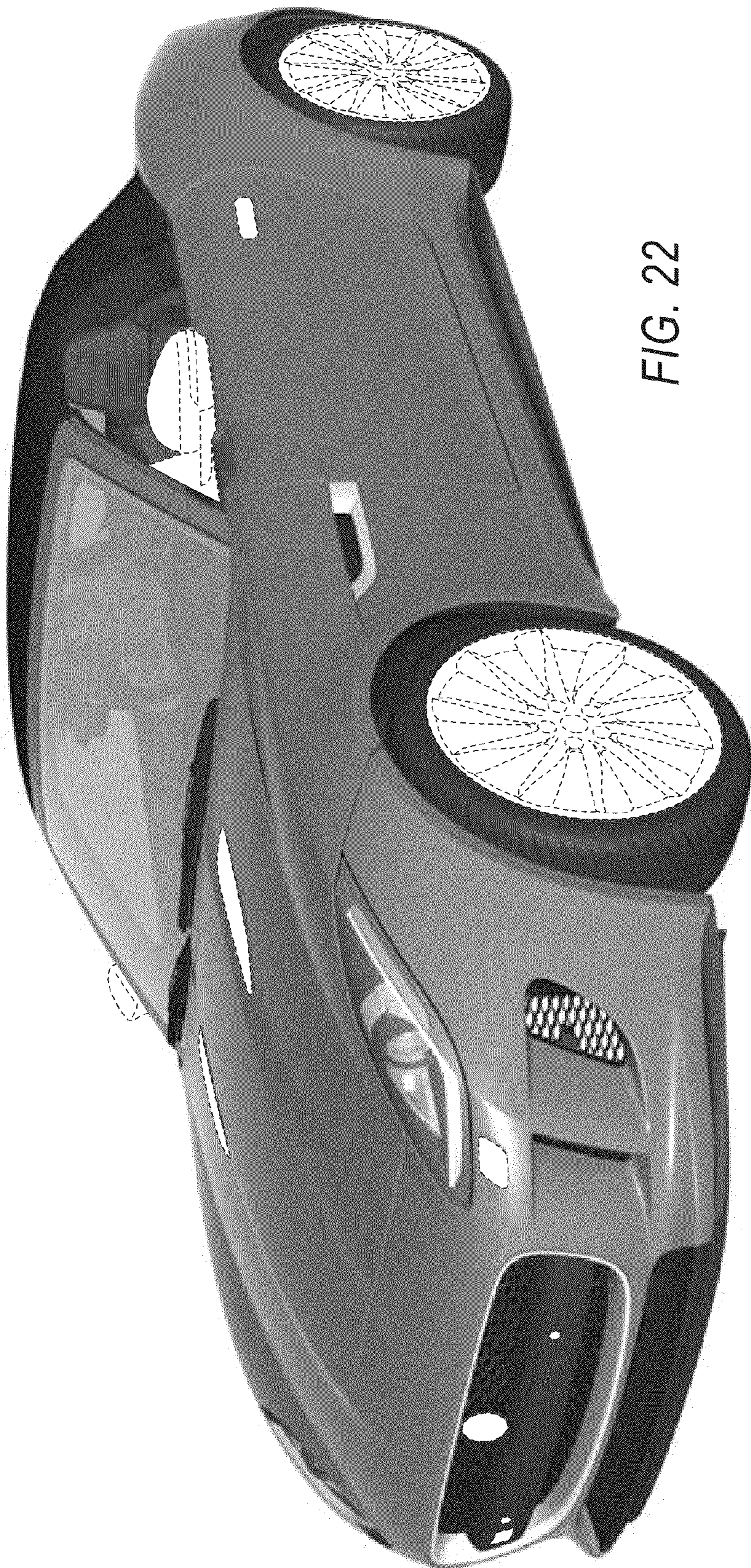


FIG. 22



FIG. 23

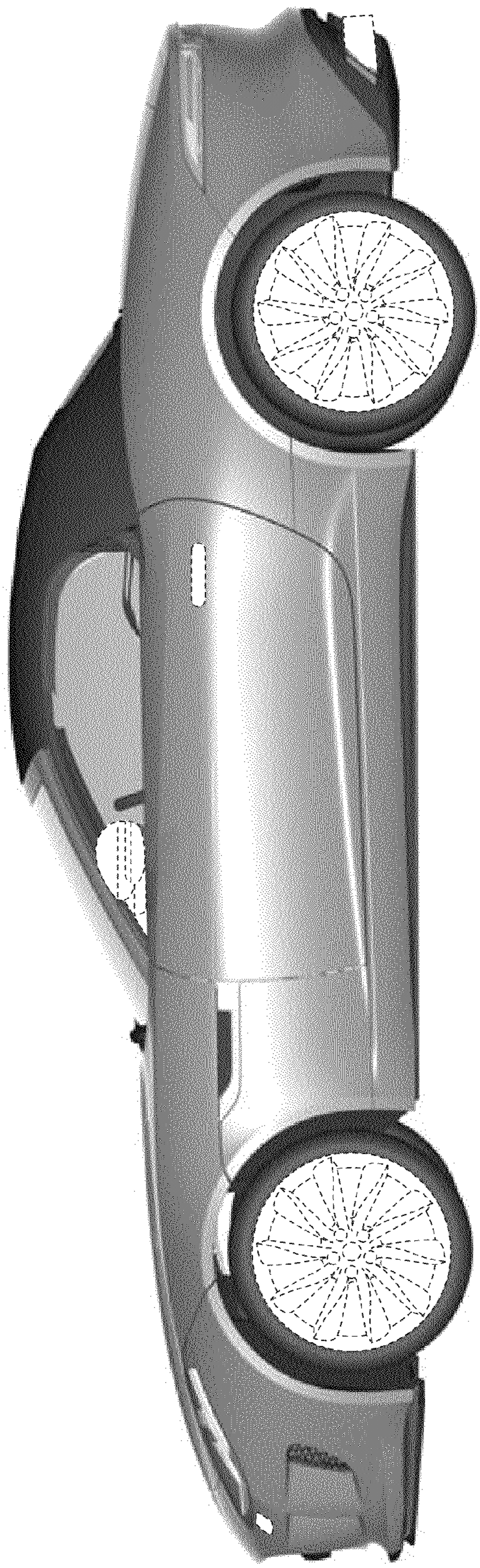


FIG. 24

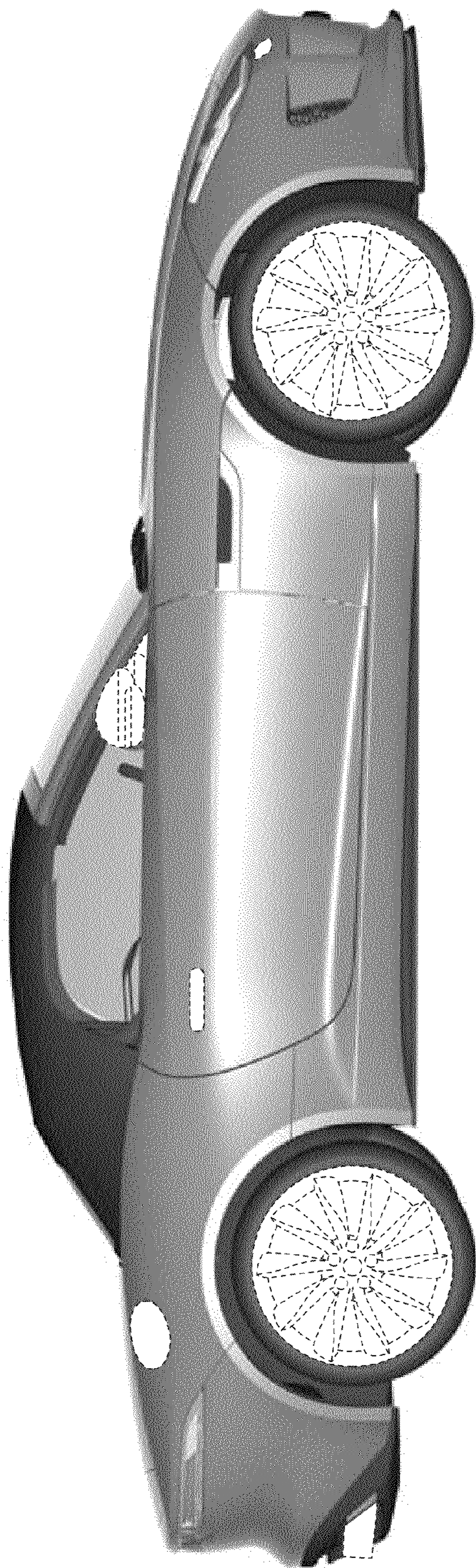


FIG. 25



FIG. 26

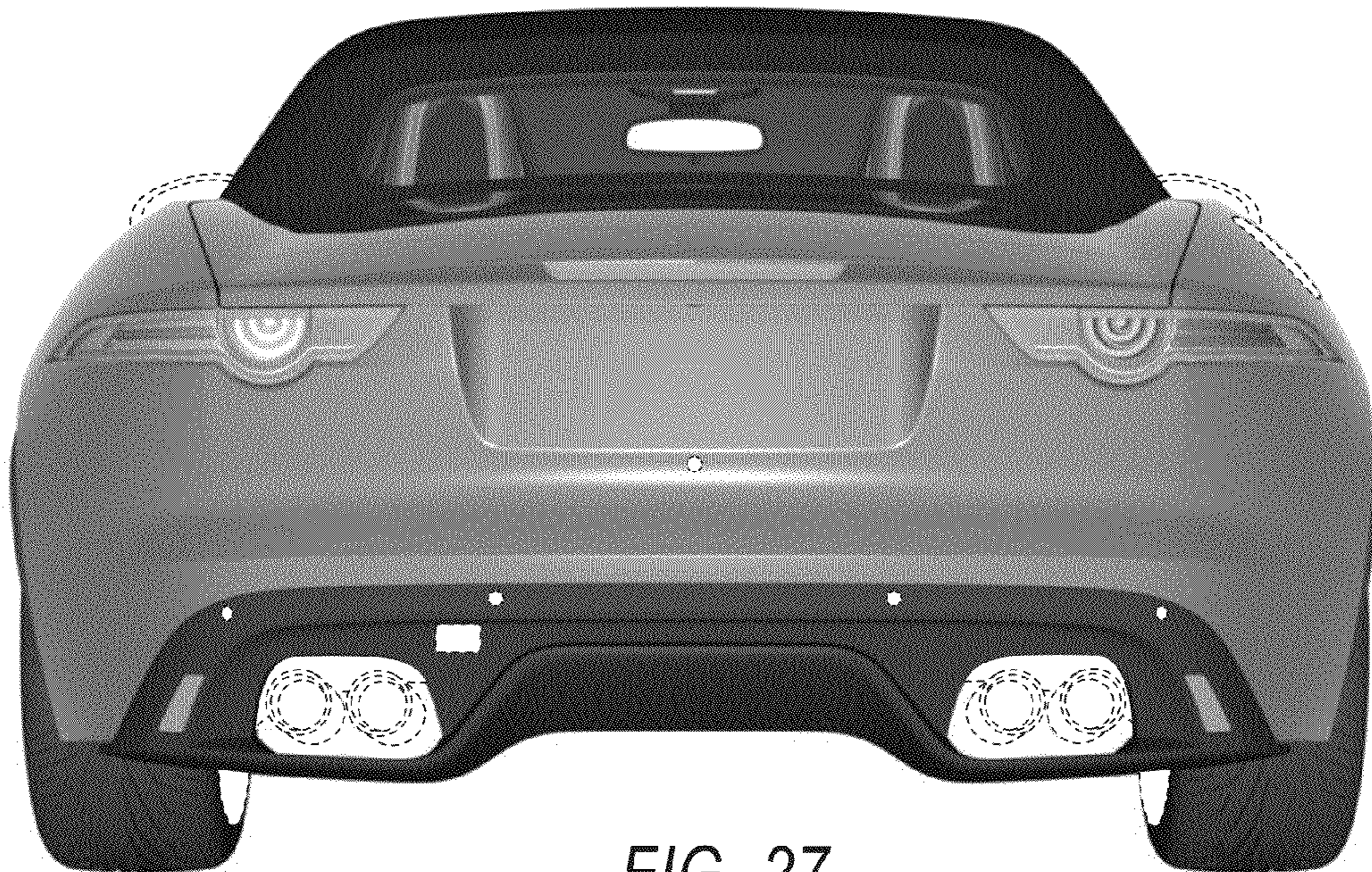


FIG. 27

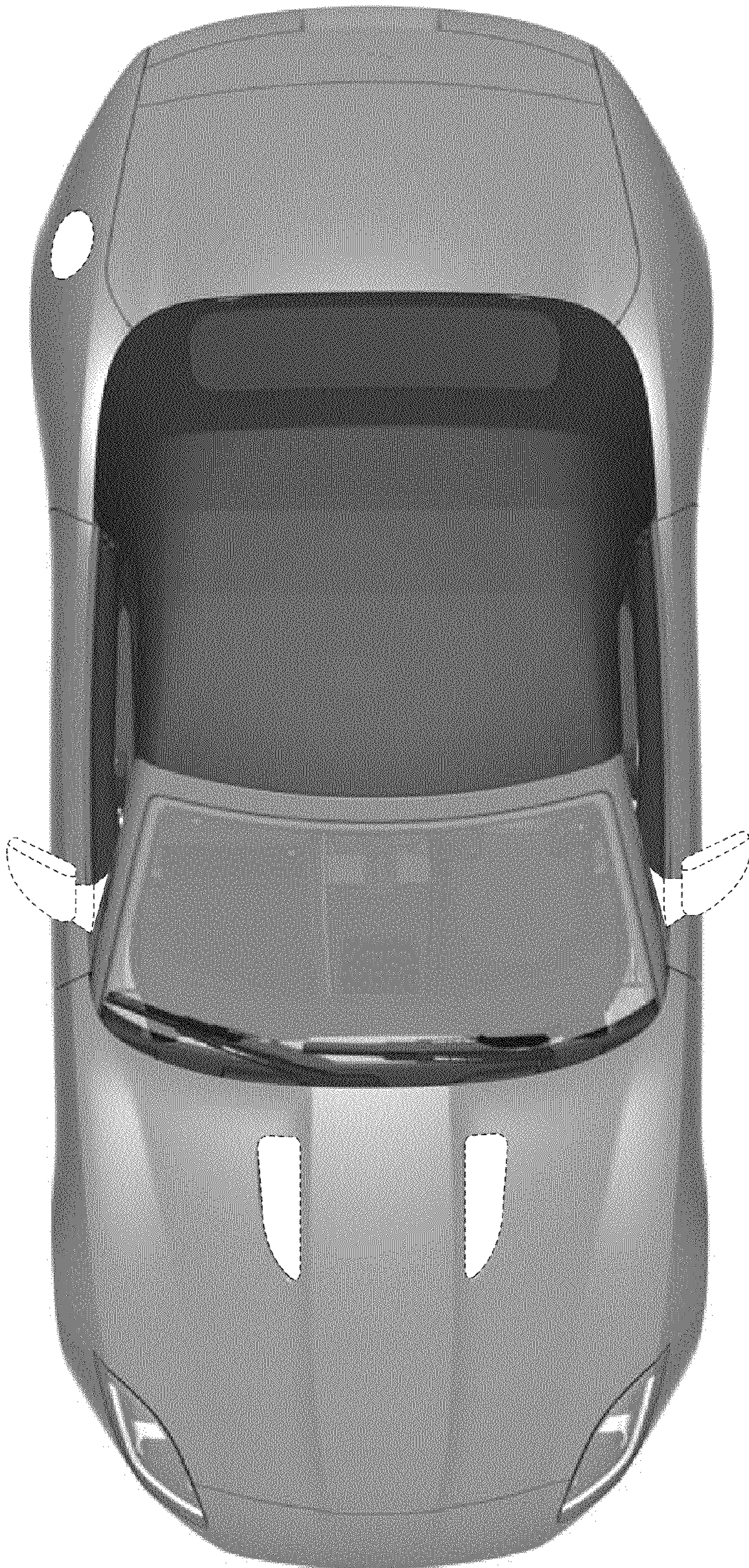


FIG. 28