



US00D704095S

(12) **United States Design Patent**
Kowalewski

(10) **Patent No.:** **US D704,095 S**

(45) **Date of Patent:** **** May 6, 2014**

(54) **D-RING**

(71) Applicant: **Joseph M. Kowalewski**, Gansevoort,
NY (US)

(72) Inventor: **Joseph M. Kowalewski**, Gansevoort,
NY (US)

(**) Term: **14 Years**

(21) Appl. No.: **29/440,481**

(22) Filed: **Dec. 21, 2012**

(51) **LOC (10) Cl.** **02-07**

(52) **U.S. Cl.**
USPC **D11/200**

(58) **Field of Classification Search**
CPC A44B 11/00; A44B 21/00
USPC D11/1-2, 200-201, 206-210, 214-218,
D11/230; 24/163 R, 169-171, 173, 177-179,
24/191, 194-195, 197, 200, 614-616, 625,
24/198, 578.11, 578.1, 163 K, 114;
D22/108; 7/151, 152; D8/33
See application file for complete search history.

(56) **References Cited**

U.S. PATENT DOCUMENTS

D34,265	S	*	3/1901	Holmes	D11/216
828,573	A	*	8/1906	Rubin	24/376
1,253,647	A	*	1/1918	Torrey	24/598.2
3,077,650	A	*	2/1963	Horne	24/200
3,102,317	A	*	9/1963	Cadley	24/664
D333,804	S	*	3/1993	Franklin	D11/218
5,433,289	A		7/1995	O'Rourke		
5,588,184	A	*	12/1996	Chen	24/170
D389,779	S	*	1/1998	Poynter	D11/218
5,732,660	A		3/1998	David et al.		
5,785,010	A		7/1998	Koch		
5,809,618	A	*	9/1998	Perhacs	24/71.1
6,827,044	B2		12/2004	Lobanoff et al.		
7,343,647	B1	*	3/2008	Kinsky et al.	24/3.13
D586,257	S	*	2/2009	Goldman	D11/200
D593,901	S	*	6/2009	Gurule	D11/200

D622,180	S	*	8/2010	Cresswell	D11/218
8,177,025	B2		5/2012	Lang et al.		
D668,579	S	*	10/2012	Petty et al.	D11/218
D670,599	S	*	11/2012	Shaanan et al.	D11/218
D672,281	S	*	12/2012	Schurian et al.	D11/218
2007/0034165	A1		2/2007	Yang		
2010/0031897	A1		2/2010	Moeller		
2010/0326767	A1		12/2010	Guthrie et al.		
2011/0214941	A1		9/2011	Petty et al.		
2012/0260865	A1		10/2012	Nesper		

OTHER PUBLICATIONS

Adjustable_Dog_Collar-Orvis-K-9_Explorer_Dog_Collar
[http://www.orvis.com/store/product.aspx?pf_id=8H52&adv=127748&cm_mmc=GoogPLA-_-Prod_feeds-_-Prod_feeds-_-127748&CAWELAID=1706476052&catargetid=1796449733&cagpspn=pla].

* cited by examiner

Primary Examiner — Ralf Seifert
(74) *Attorney, Agent, or Firm* — Tech Valley Patent, LLC;
John Pietrangelo

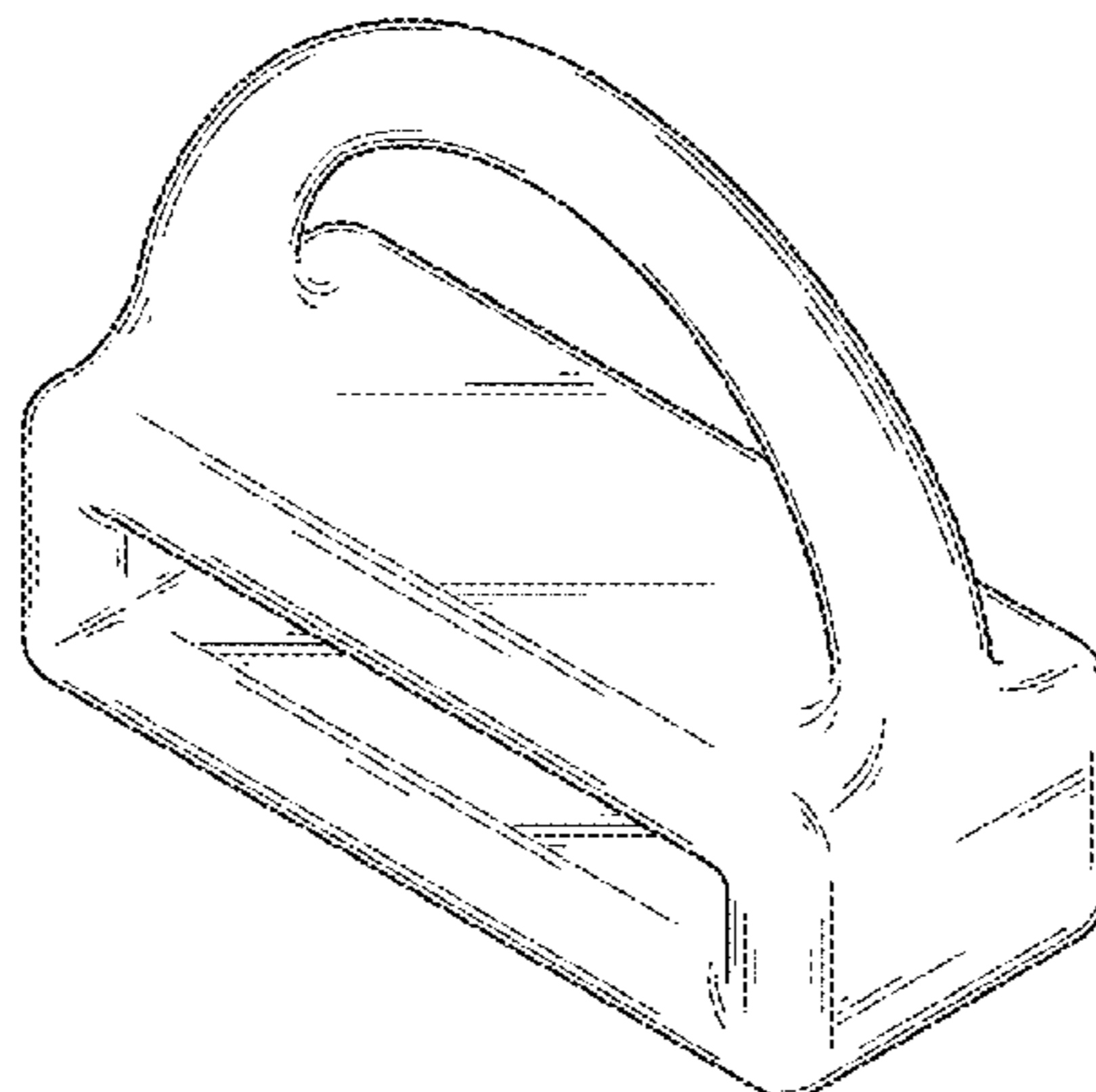
(57) **CLAIM**

The ornamental design for a D-ring, as shown and described.

DESCRIPTION

FIG. 1 is a front perspective view of a D-ring, comprising the new design shown in a typical environment by broken lines for illustrative purposes;
FIG. 2 is a rear perspective view thereof;
FIG. 3 is a top view thereof;
FIG. 4 is a left side elevation view thereof, the right side elevation view being a mirror image thereof;
FIG. 5 is a front elevation view thereof, the rear elevation view being a mirror image thereof; and,
FIG. 6 is a bottom view thereof.
The broken lines shown in FIG. 1 are for the purpose of illustrating environmental structure and form no part of the claimed design.

1 Claim, 2 Drawing Sheets



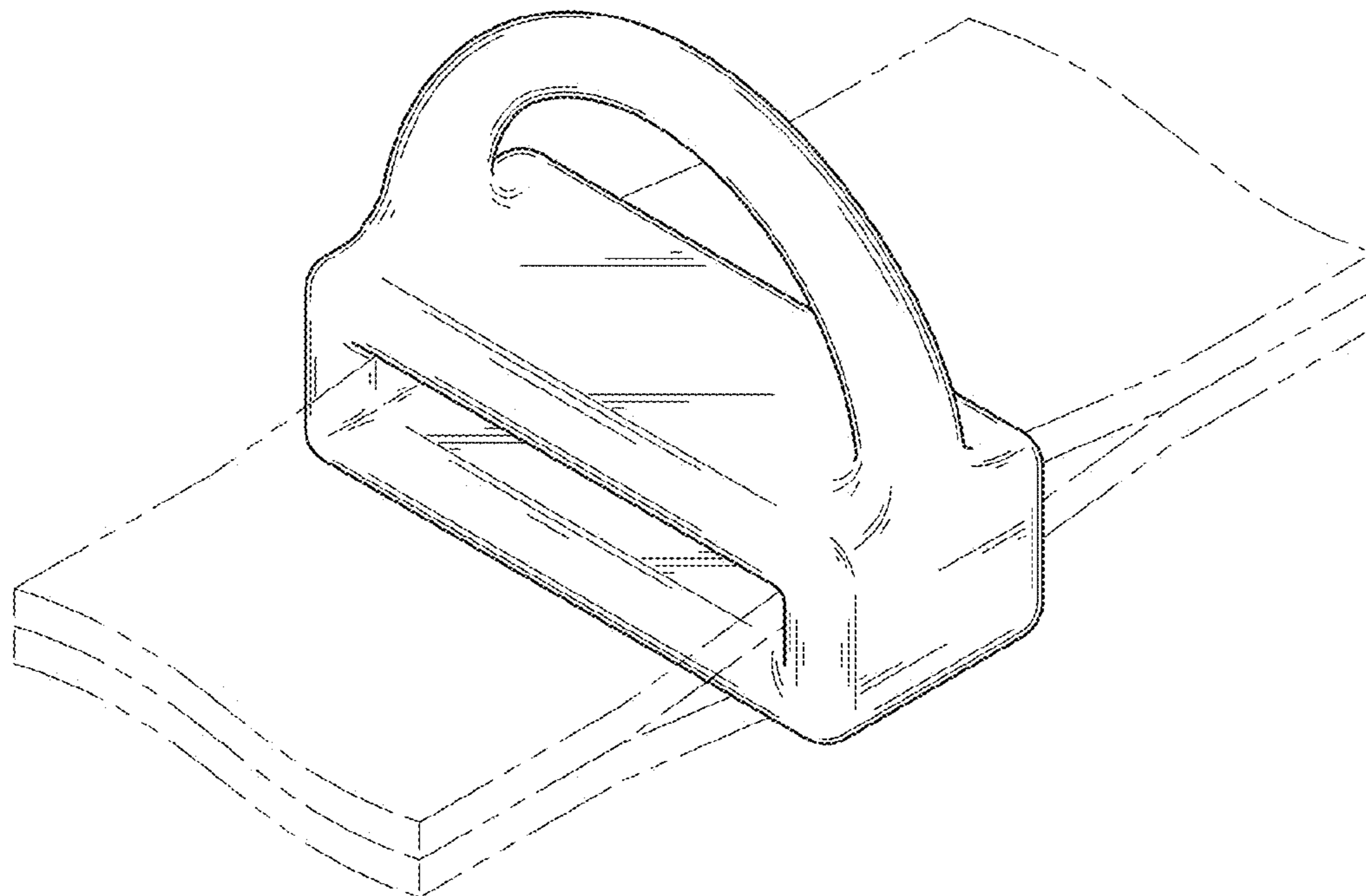


FIG. 1

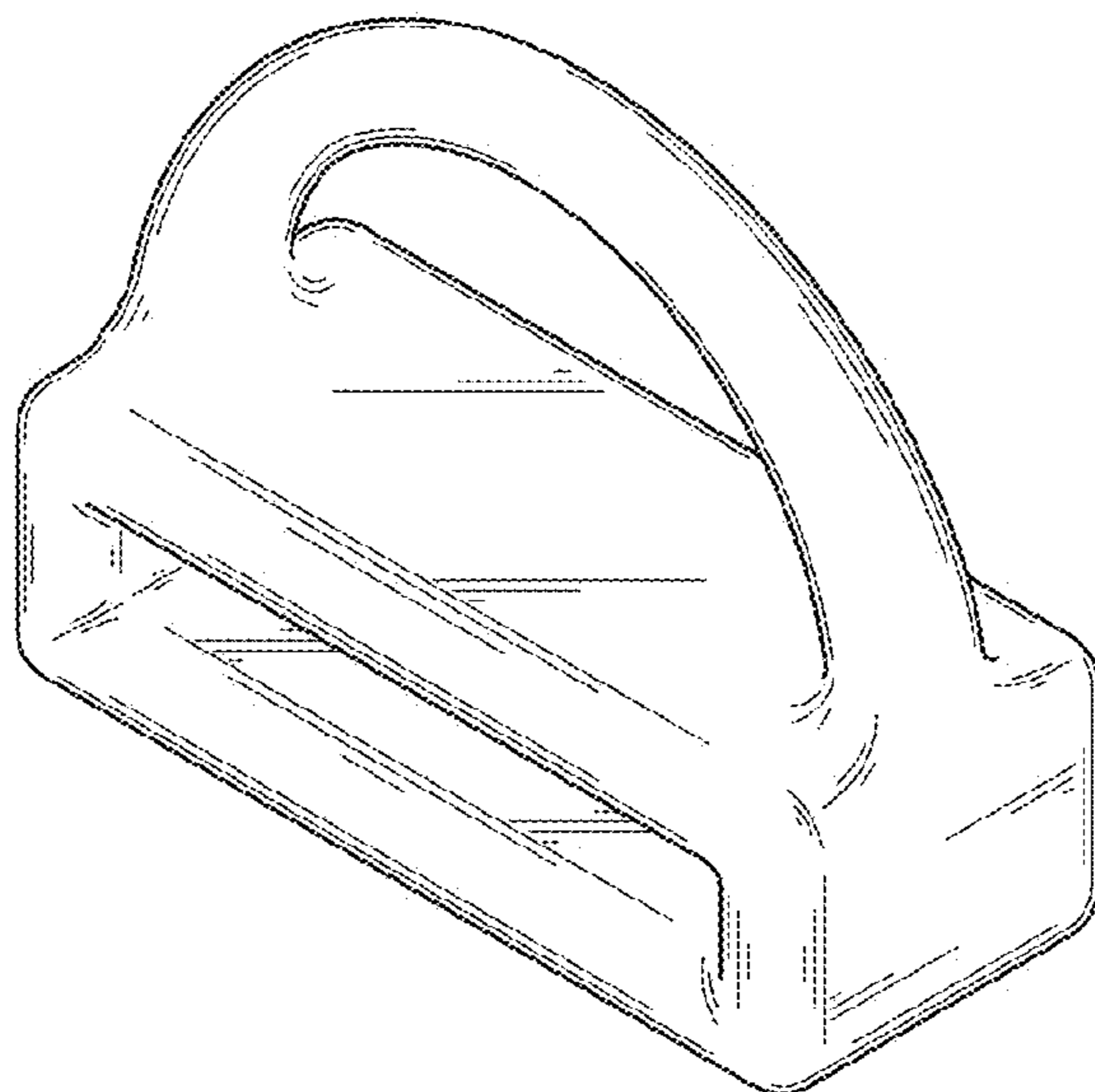


FIG. 2

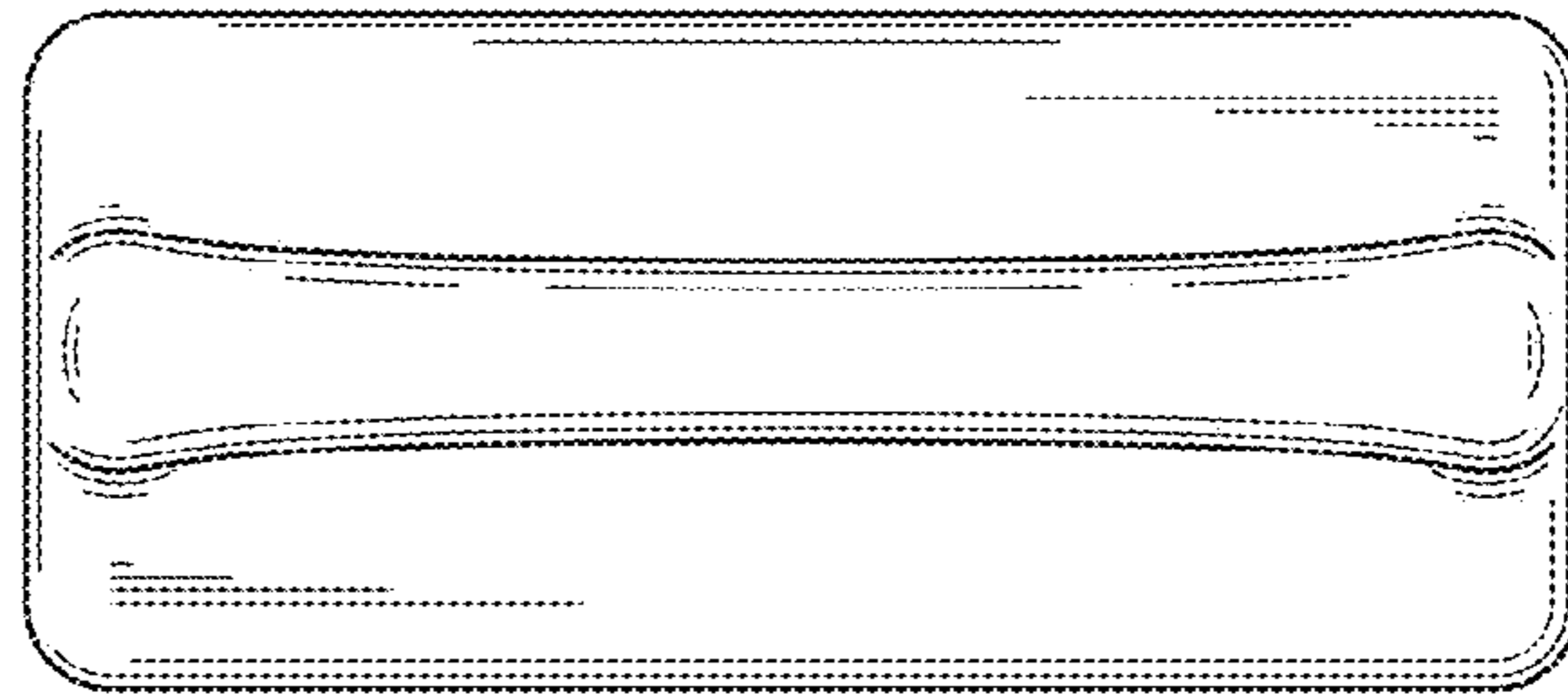


FIG. 3

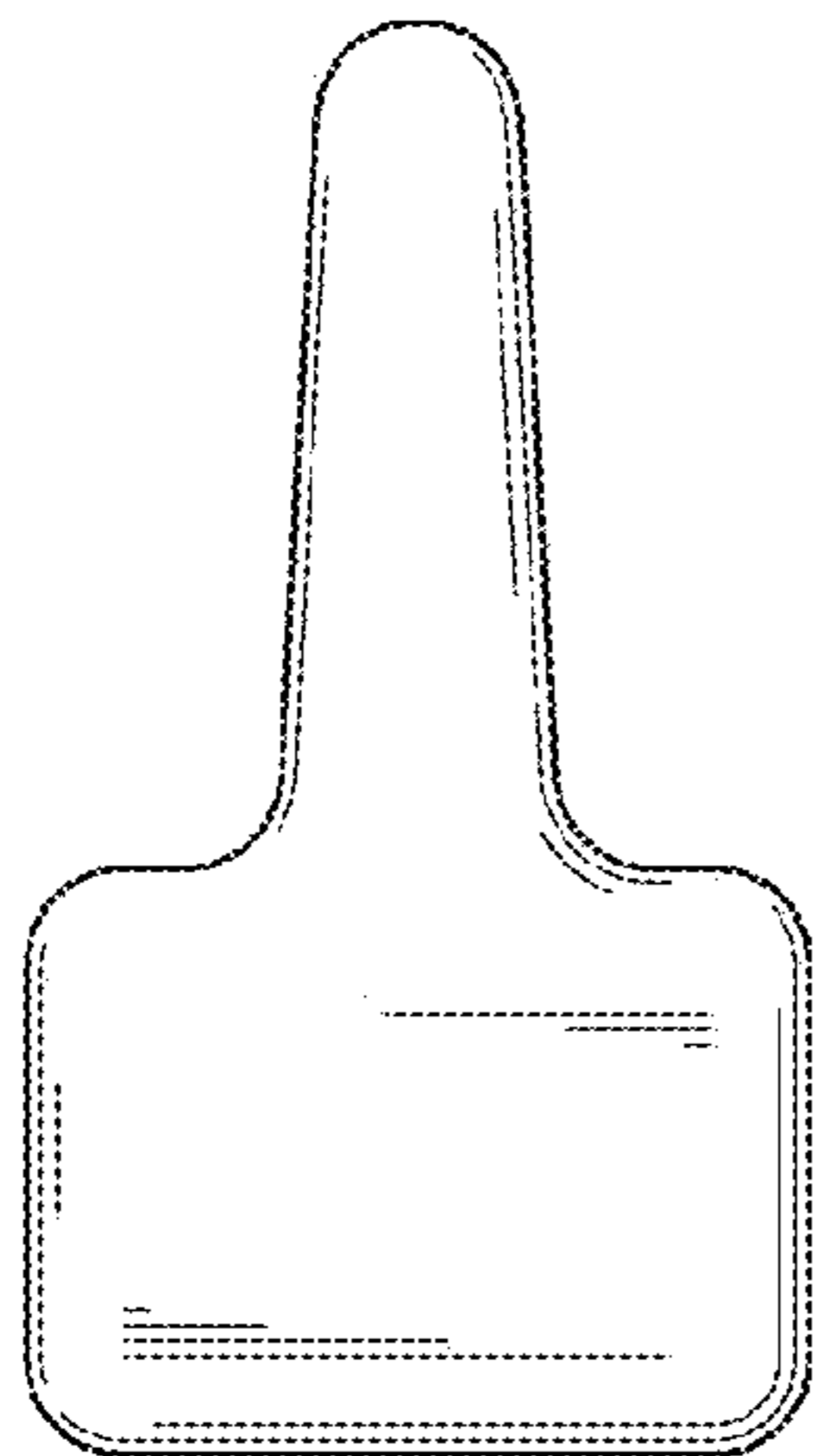


FIG. 4

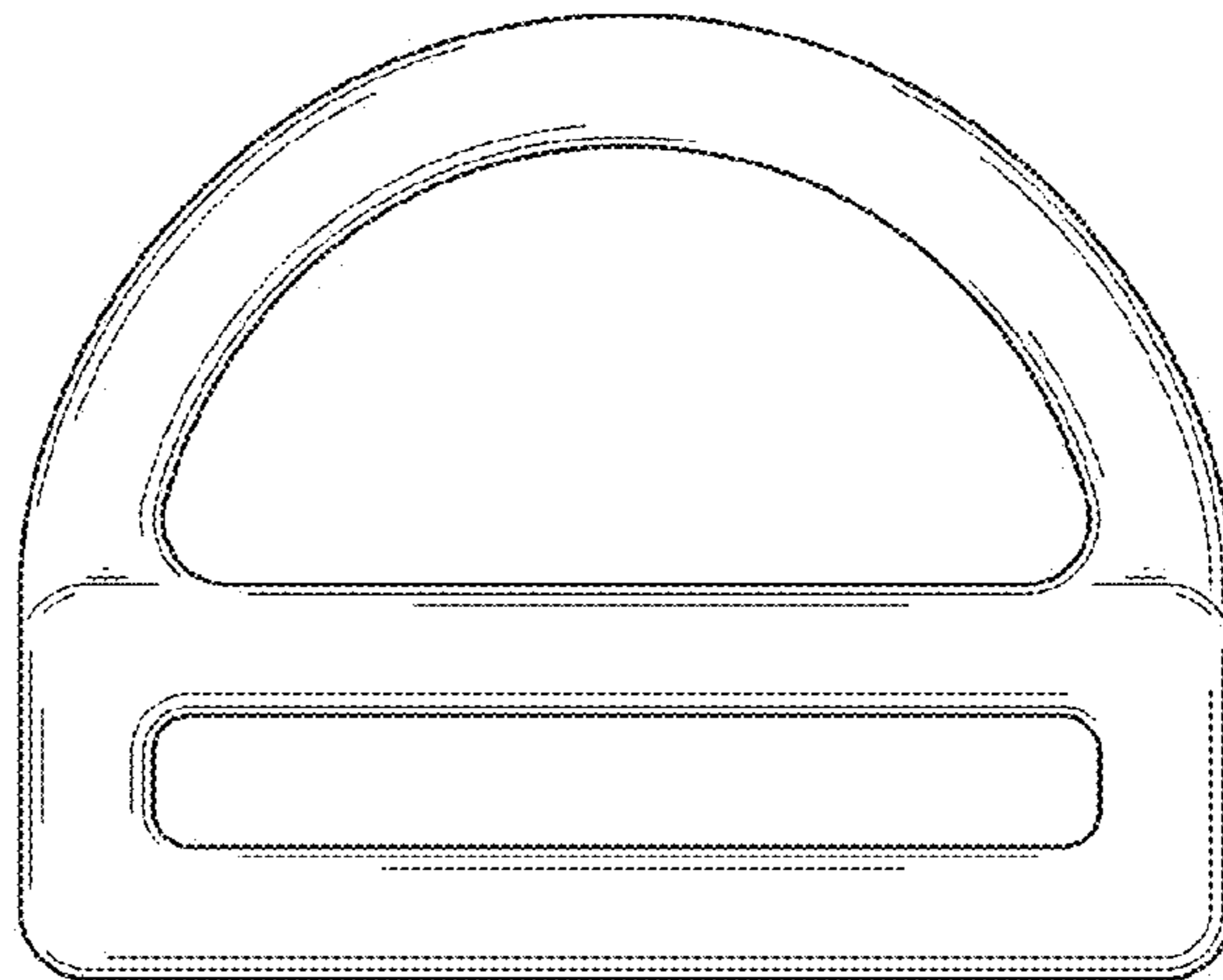


FIG. 5

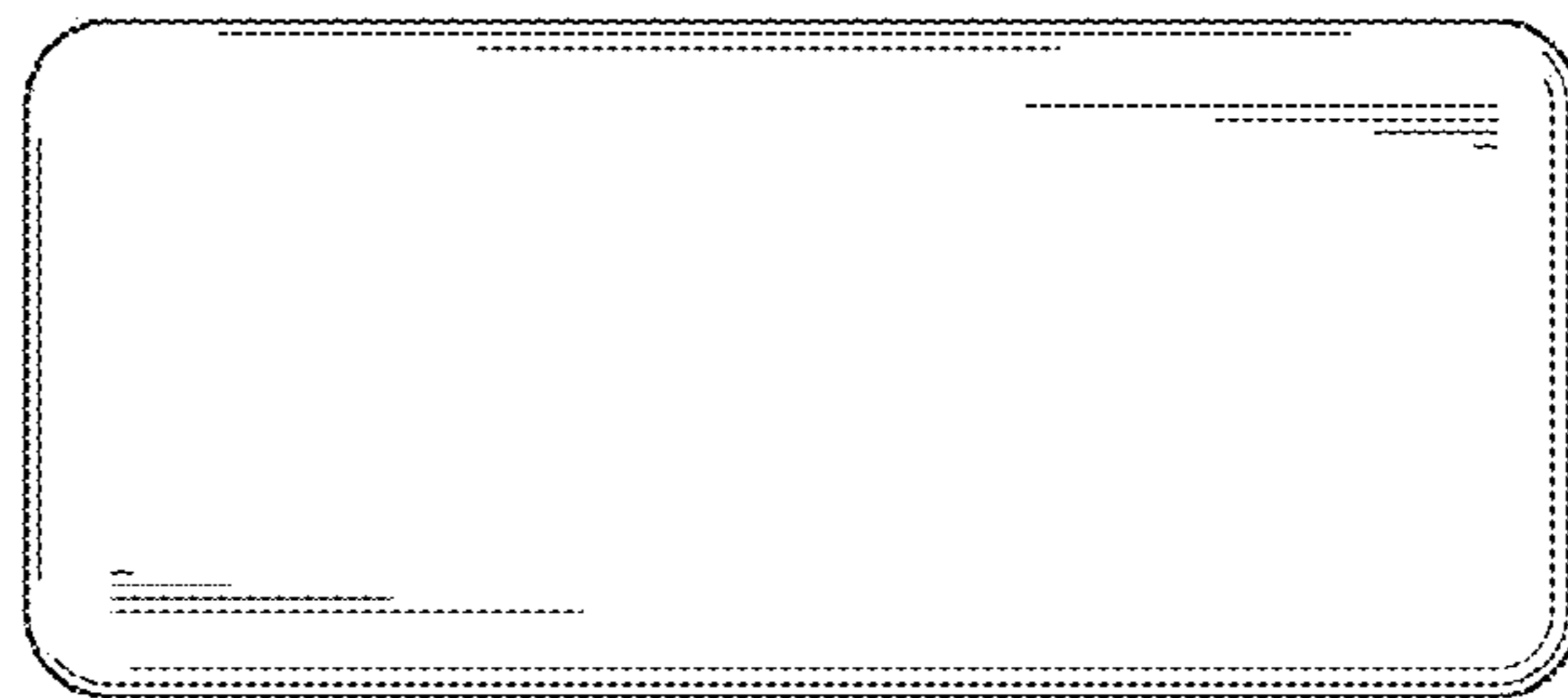


FIG. 6