



US00D704088S

(12) **United States Design Patent**
Farris

(10) **Patent No.:** **US D704,088 S**

(45) **Date of Patent:** **** May 6, 2014**

(54) **TENNESSEE RING**

(71) Applicant: **Amanda Caroline Farris**, Knoxville,
TN (US)

(72) Inventor: **Amanda Caroline Farris**, Knoxville,
TN (US)

(73) Assignee: **Amanda Caroline Farris**, Knoxville,
TN (US)

(**) Term: **14 Years**

(21) Appl. No.: **29/433,893**

(22) Filed: **Oct. 5, 2012**

(51) **LOC (10) Cl.** **11-01**

(52) **U.S. Cl.**
USPC **D11/26**

(58) **Field of Classification Search**
USPC D11/1-39; 63/15, 15.1-15.4, 15.45,
63/15.5, 15.6, 15.65, 15.7
See application file for complete search history.

(56) **References Cited**

U.S. PATENT DOCUMENTS

D39,084 S * 2/1908 Jacobs D11/62
D440,516 S * 4/2001 Siemon D11/26

D456,734 S * 5/2002 Stewart D11/27
D533,802 S * 12/2006 Thompson et al. D11/27
D669,811 S * 10/2012 Hustik D11/26
D686,101 S * 7/2013 Dailey D11/26

* cited by examiner

Primary Examiner — Garth Rademaker

Assistant Examiner — Melanie Pellegrini

(74) *Attorney, Agent, or Firm* — Pitts & Lake, P.C.

(57) **CLAIM**

I claim the ornamental design for a Tennessee ring, as shown and described.

DESCRIPTION

FIG. 1 is a perspective view of the design of the present invention for a Tennessee ring;

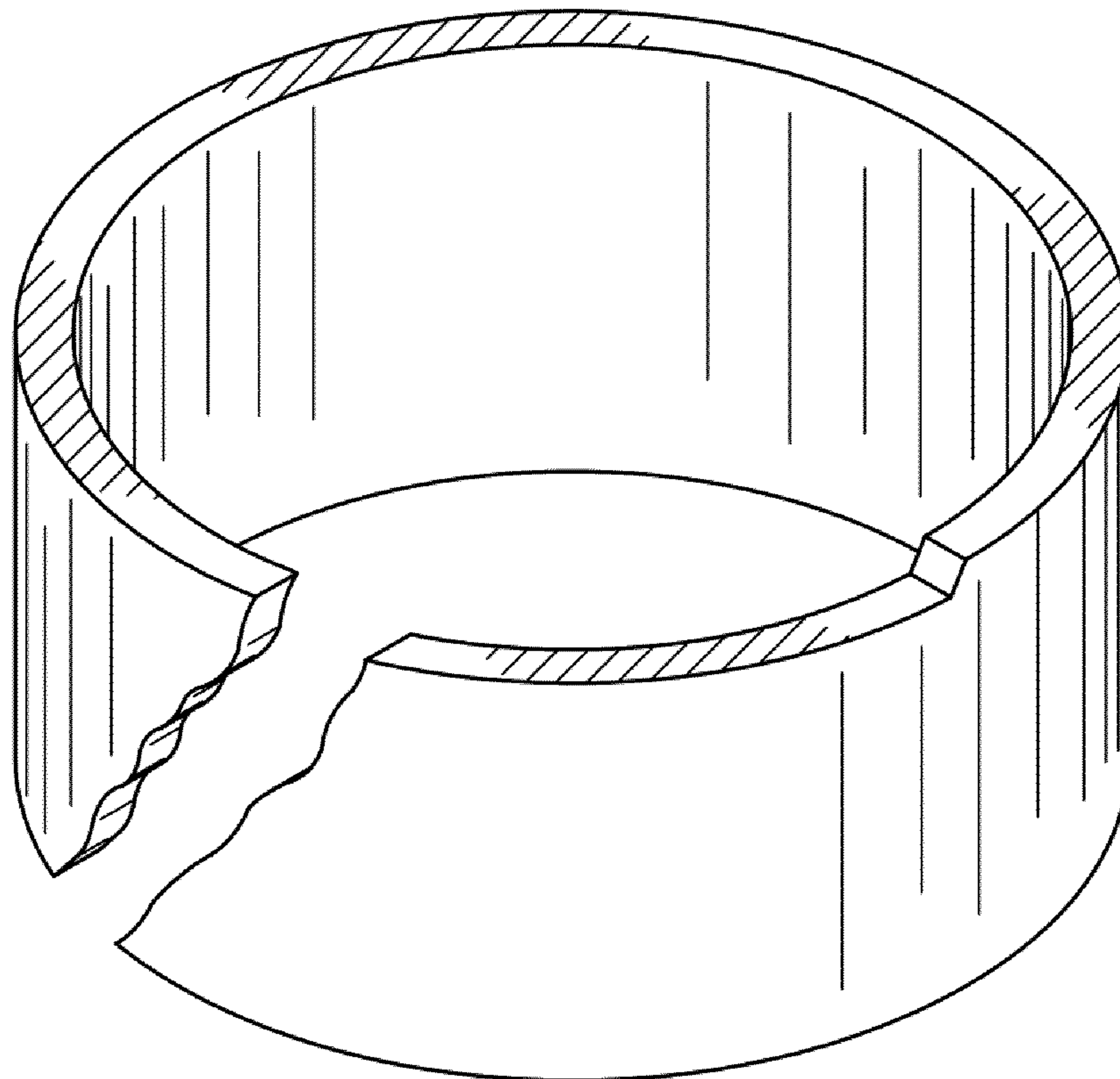
FIG. 2 is a front elevation view of the Tennessee ring of FIG. 1;

FIG. 3 is a right side perspective view of the Tennessee ring of FIG. 1;

FIG. 4 is a left side perspective view of the Tennessee ring of FIG. 1; and,

FIG. 5 is a bottom perspective view of the Tennessee ring of FIG. 1.

1 Claim, 3 Drawing Sheets



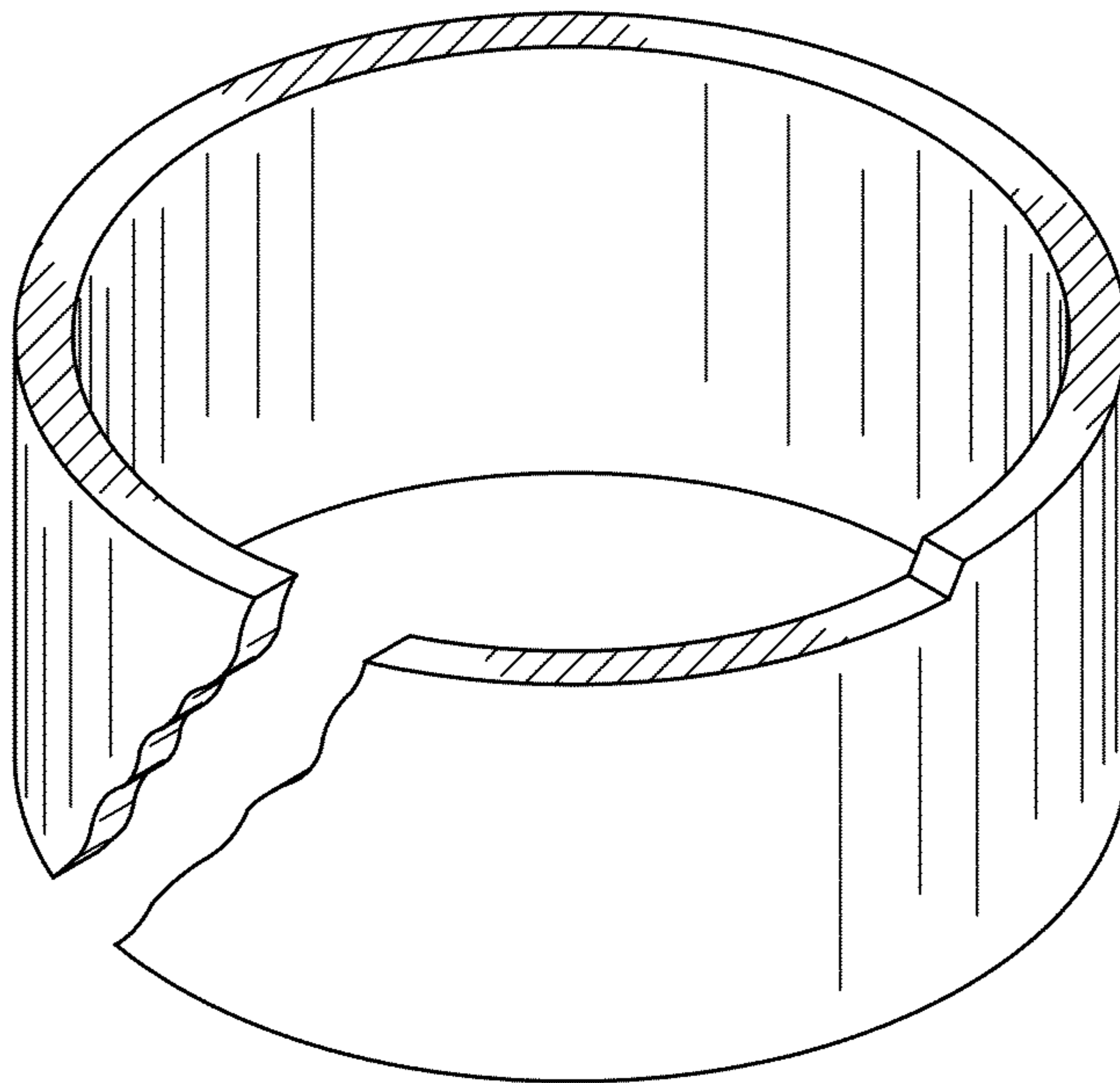


Fig. 1

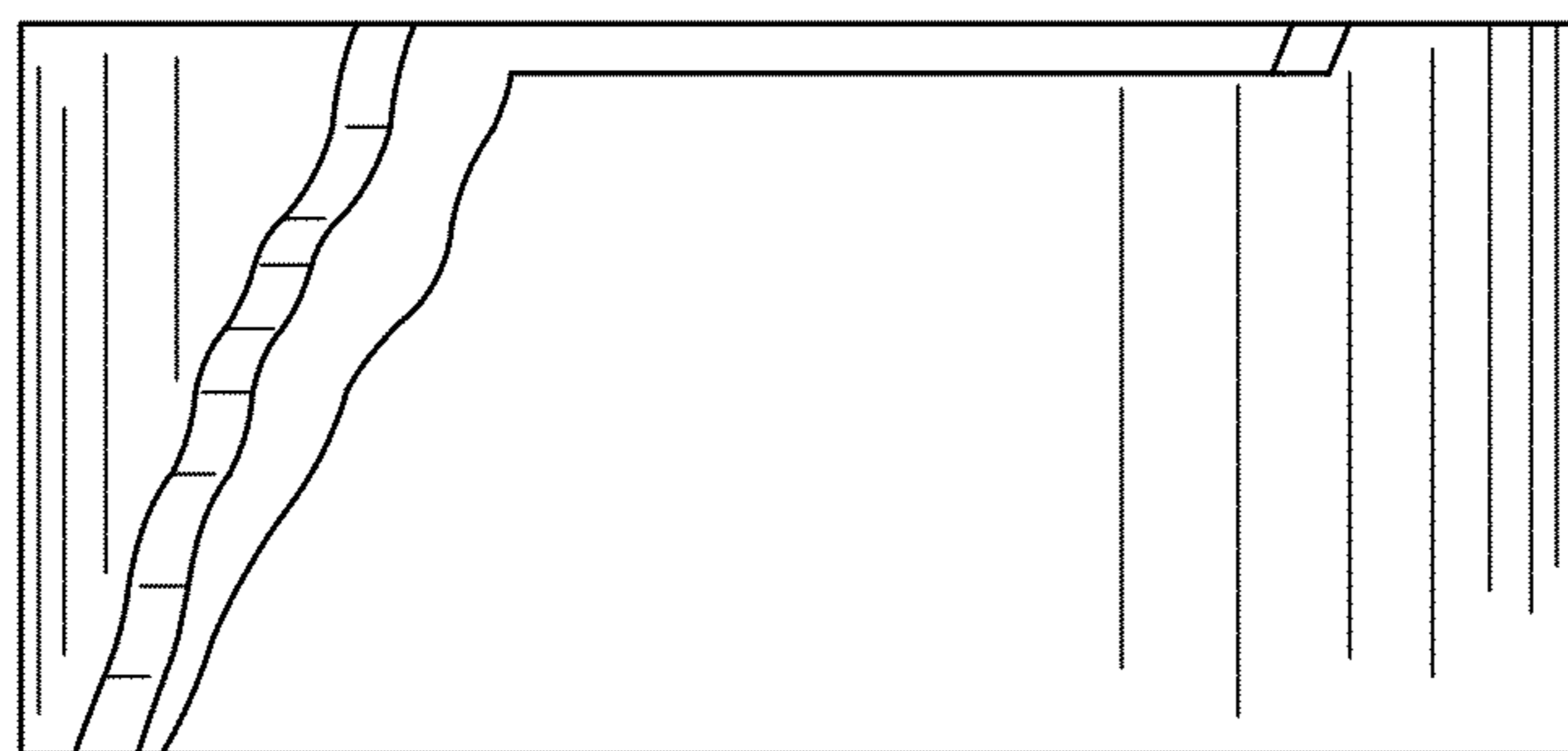


Fig. 2

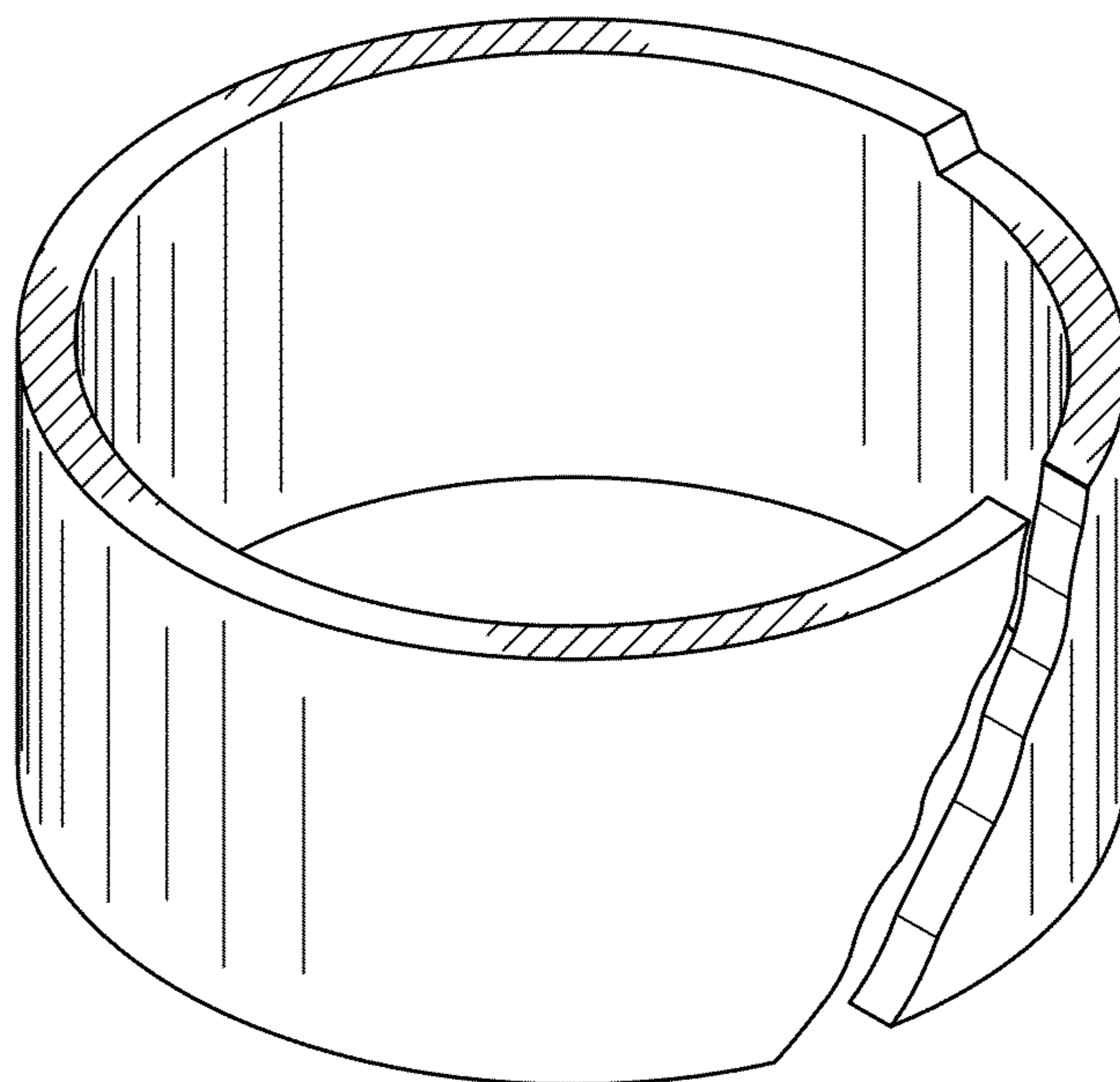


Fig. 3

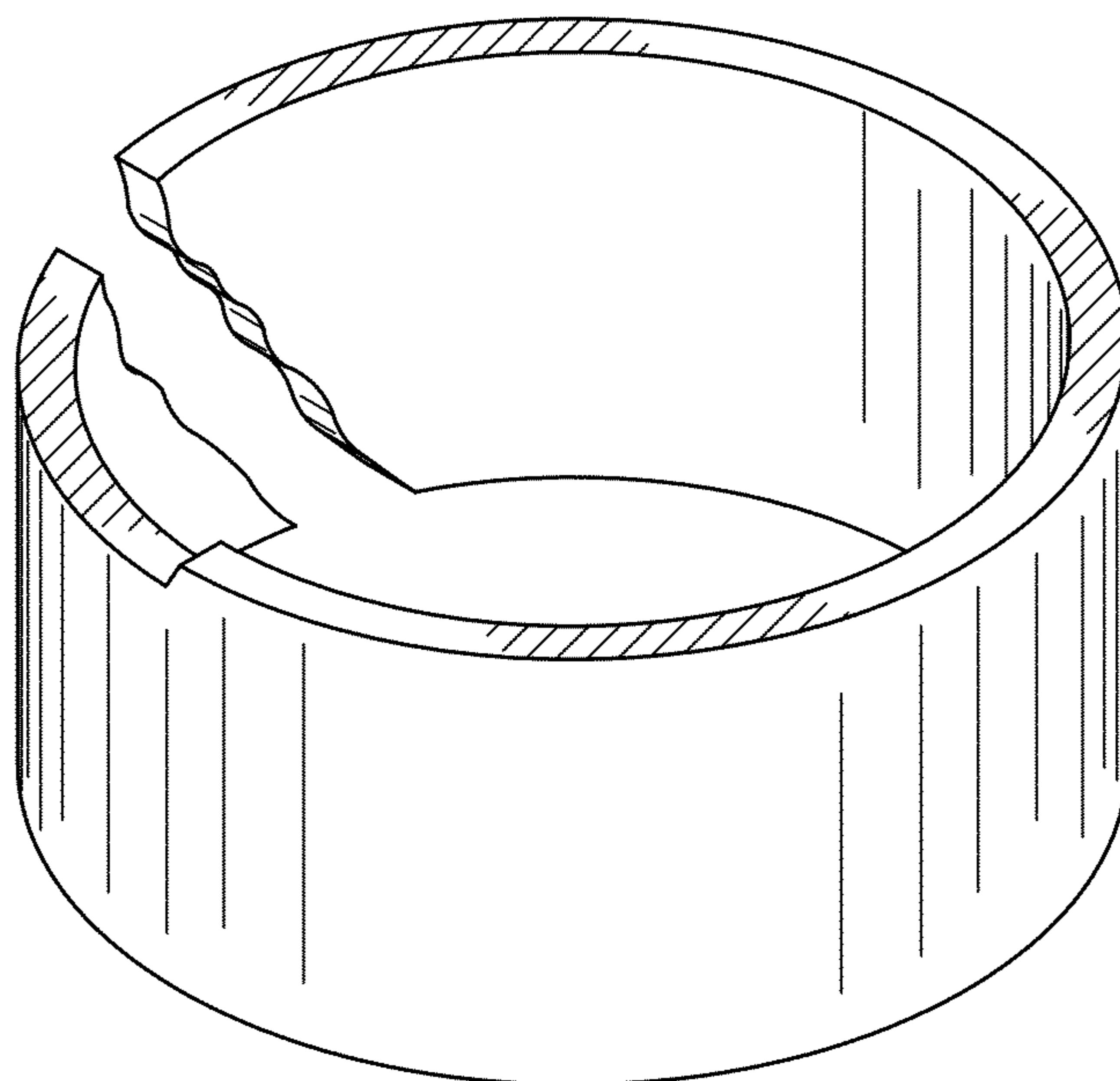


Fig. 4

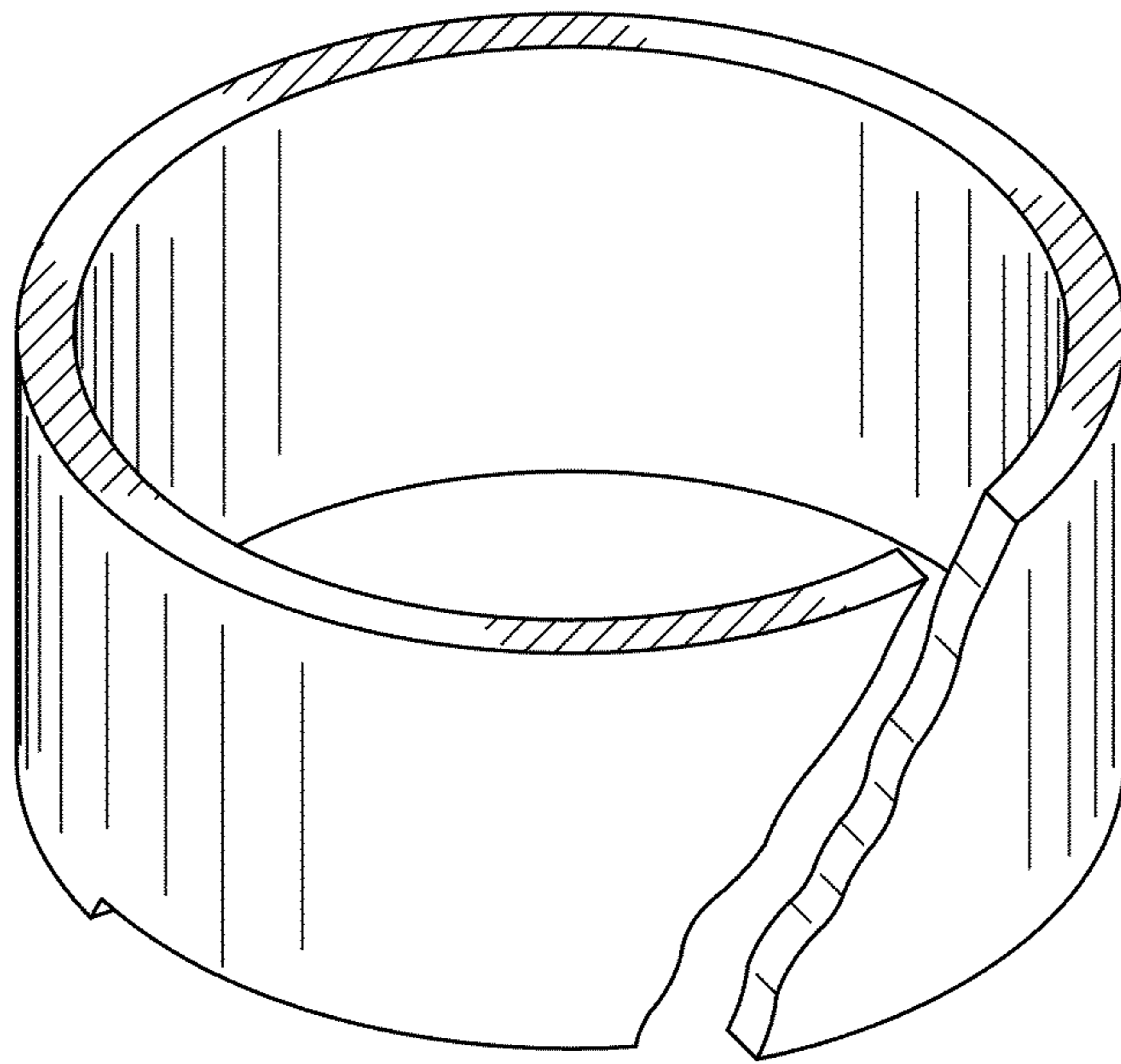


Fig.5