



US00D704086S

(12) **United States Design Patent**  
**DiPietro**

(10) **Patent No.:** **US D704,086 S**

(45) **Date of Patent:** **\*\* May 6, 2014**

(54) **BRACELET**

(71) Applicant: **Jason DiPietro**, East Providence, RI  
(US)

(72) Inventor: **Jason DiPietro**, East Providence, RI  
(US)

(\*\*) Term: **14 Years**

(21) Appl. No.: **29/452,711**

(22) Filed: **Apr. 19, 2013**

(51) **LOC (10) Cl.** ..... **11-01**

(52) **U.S. Cl.**  
USPC ..... **D11/5**

(58) **Field of Classification Search**  
USPC ..... D11/1-25; 63/1.11, 3.1, 3.2, 15,  
63/15.1-15.4, 15.45, 15.5, 15.6, 15.65;  
D28/41

See application file for complete search history.

(56) **References Cited**

**U.S. PATENT DOCUMENTS**

D14,438	S	*	11/1883	Ahn	.....	D11/5
993,303	A	*	5/1911	Kirby	.....	63/11
1,124,518	A	*	1/1915	Qvarnstrom	.....	24/115 H
2,462,425	A	*	2/1949	Pratt et al.	.....	63/3
3,187,396	A	*	6/1965	Carroll	.....	24/115 R
4,321,804	A	*	3/1982	Borofsky et al.	.....	63/3.2
4,334,413	A	*	6/1982	Gaston et al.	.....	63/3.2

D267,159	S	*	12/1982	Borofsky et al.	.....	D11/5
D268,013	S	*	2/1983	Stimmler	.....	D11/27
D386,999	S	*	12/1997	Kothari	.....	D11/4
D487,709	S		3/2004	Ferlise		
D498,167	S		11/2004	Ferlise		
D539,689	S	*	4/2007	Mertens	.....	D11/3
D664,466	S	*	7/2012	Rafaelian	.....	D11/8
D669,115	S	*	10/2012	Kalbach	.....	D16/339
D669,385	S	*	10/2012	Rafaelian	.....	D11/8
D678,102	S	*	3/2013	Rafaelian	.....	D11/8
D686,520	S	*	7/2013	Rafaelian	.....	D11/5
D692,340	S	*	10/2013	Mejia	.....	D11/3

\* cited by examiner

*Primary Examiner* — Garth Rademaker

*Assistant Examiner* — Melanie Pellegrini

(74) *Attorney, Agent, or Firm* — Salter & Michaelson

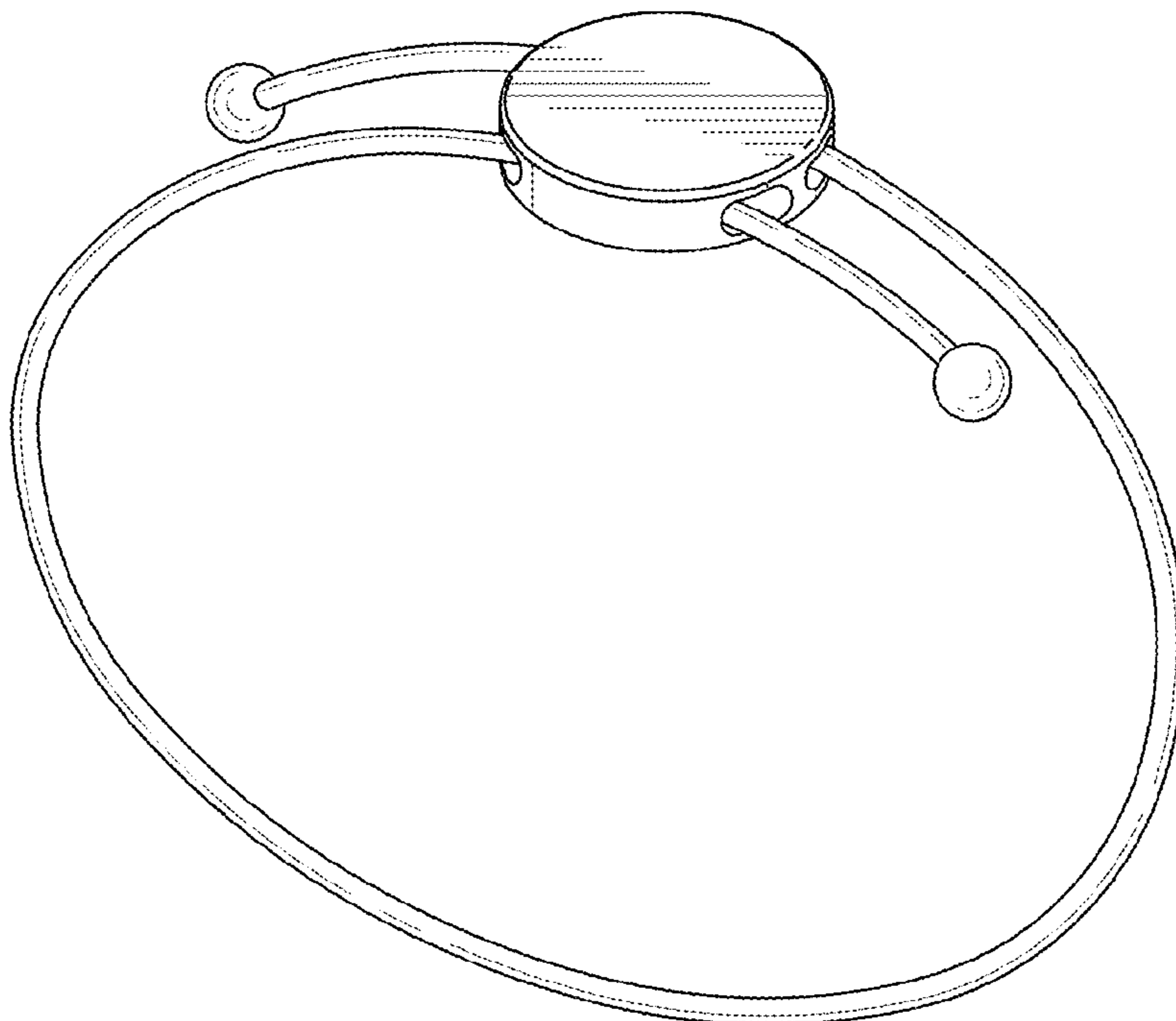
(57) **CLAIM**

The ornamental design for a bracelet, as shown and described.

**DESCRIPTION**

FIG. 1 is a perspective view of a bracelet;  
FIG. 2 is a front elevational view thereof;  
FIG. 3 is a rear elevational view thereof;  
FIG. 4 is a top plan view thereof;  
FIG. 5 is a bottom plan view thereof;  
FIG. 6 is a left side elevational view thereof; and,  
FIG. 7 is a right side elevational view thereof.

**1 Claim, 4 Drawing Sheets**



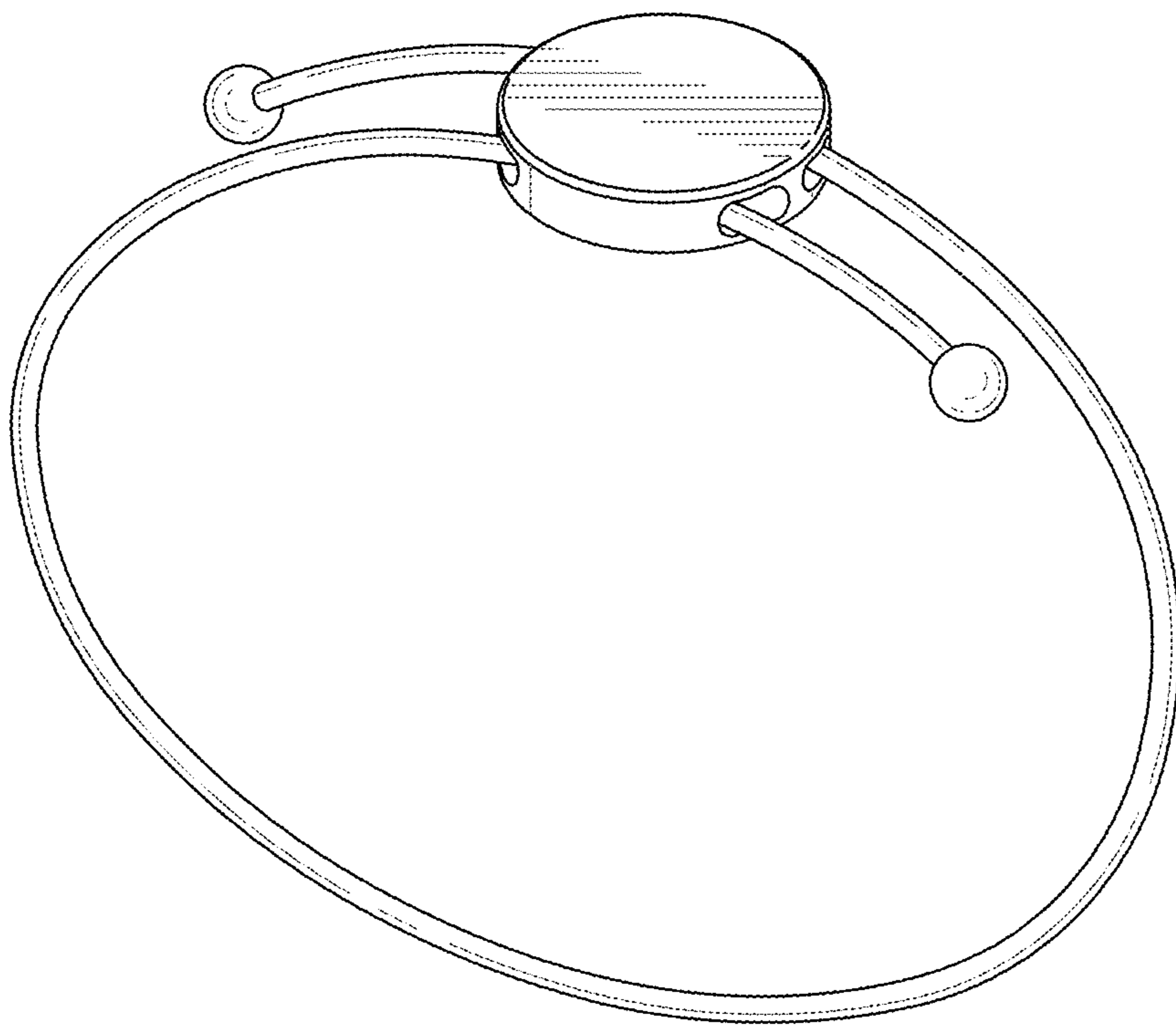


FIG. 1

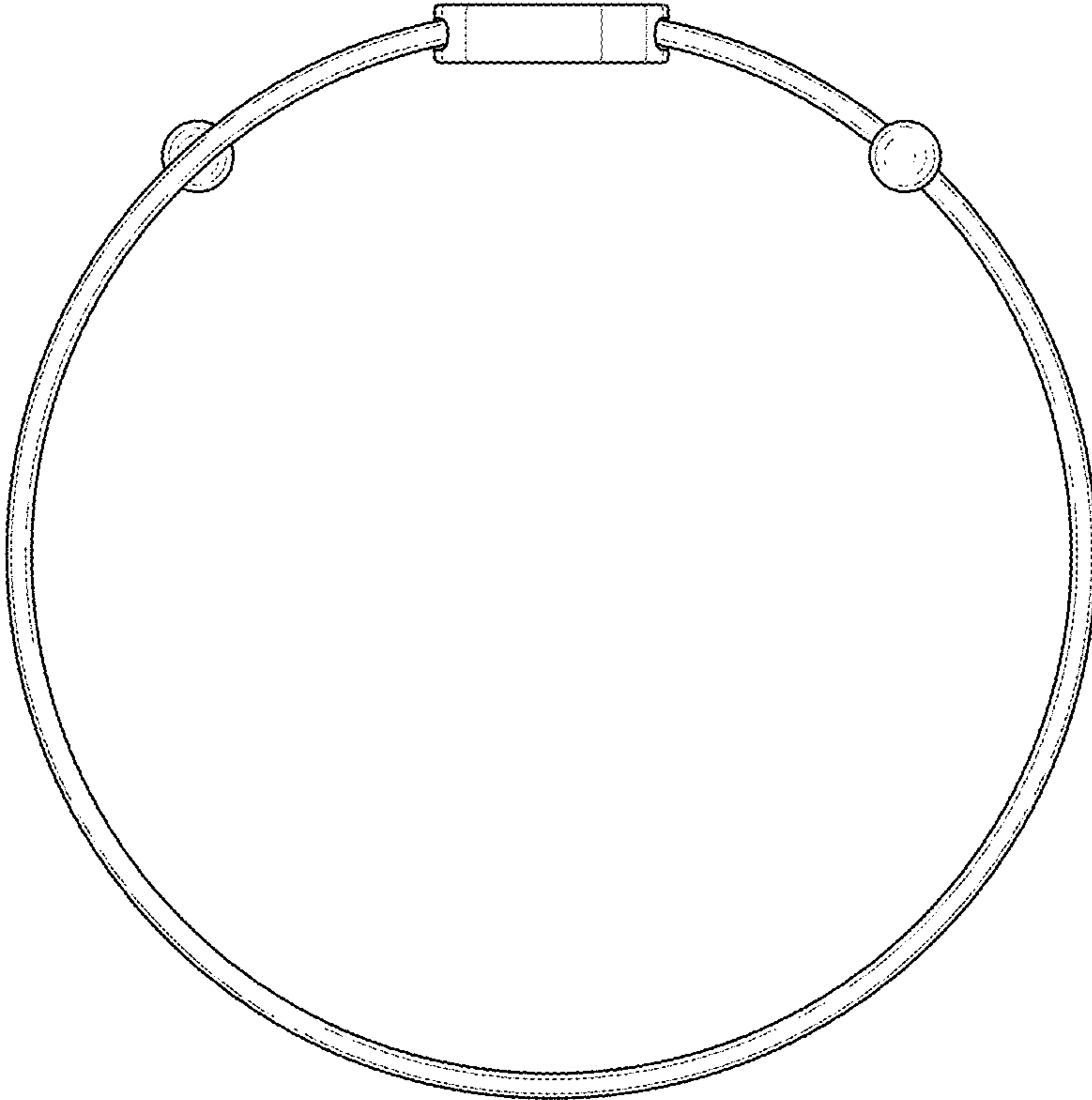


FIG. 2

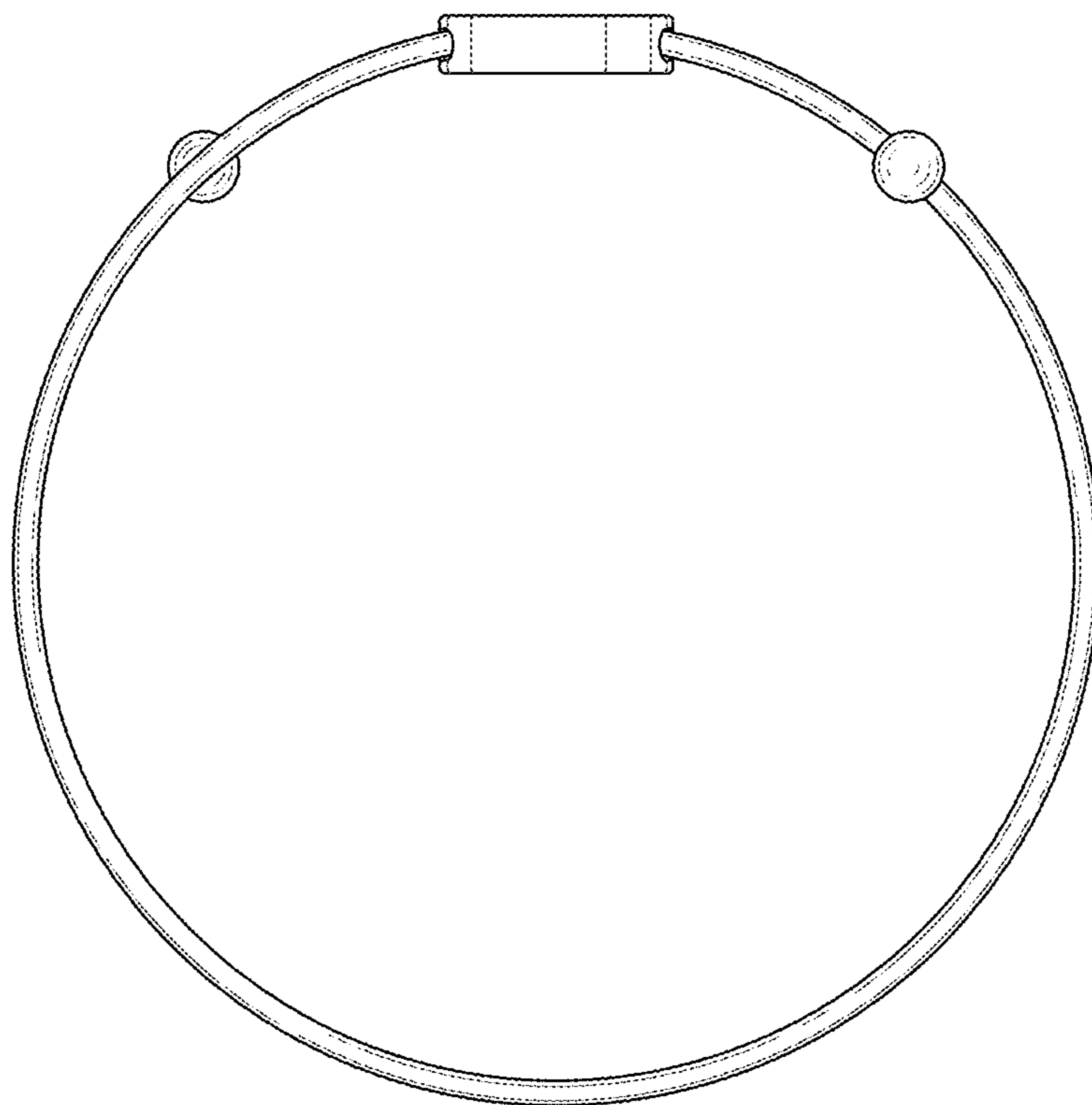


FIG. 3

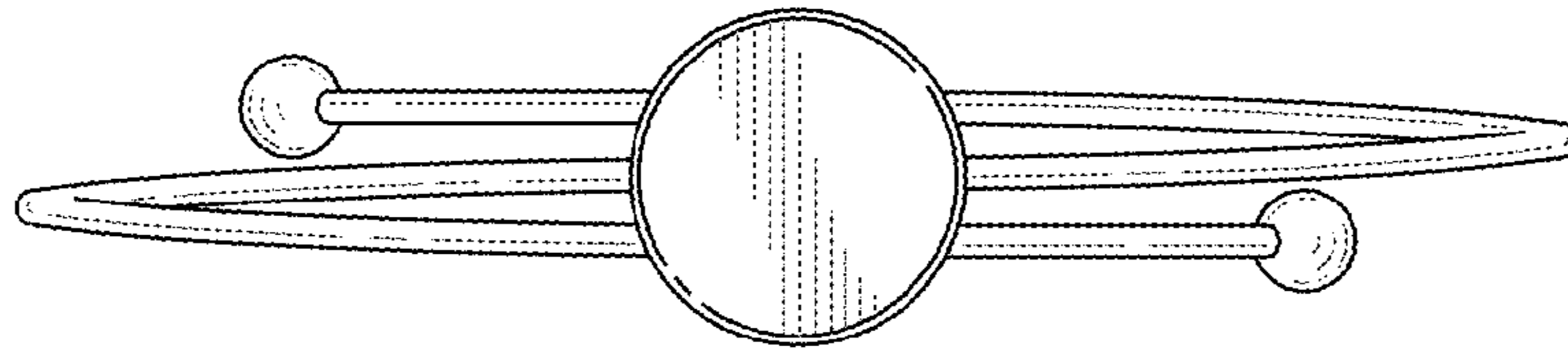


FIG. 4

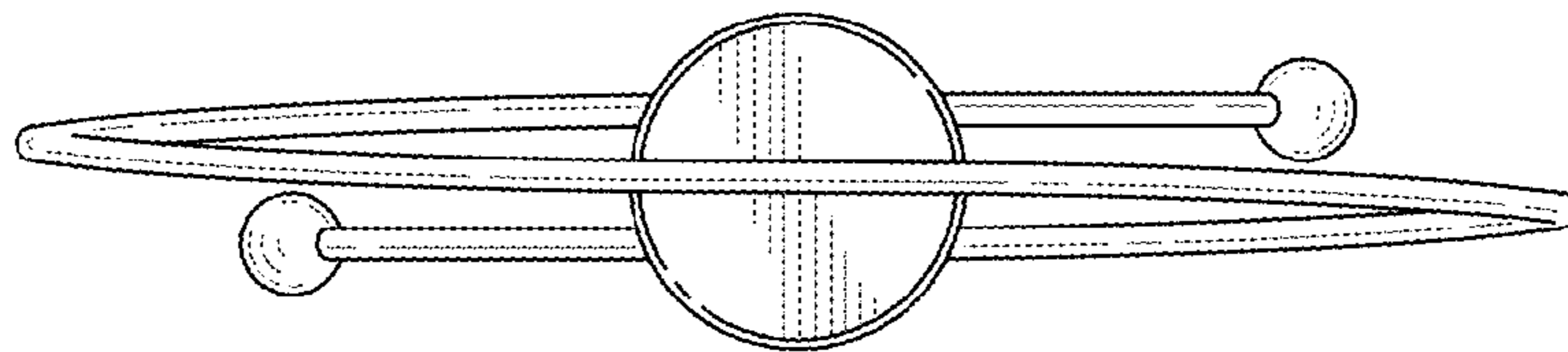


FIG. 5

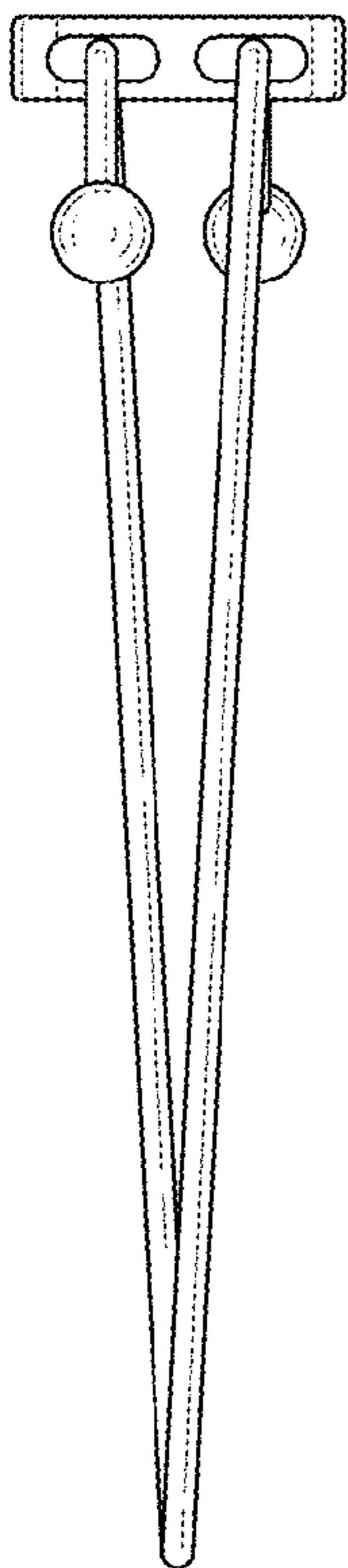


FIG. 6

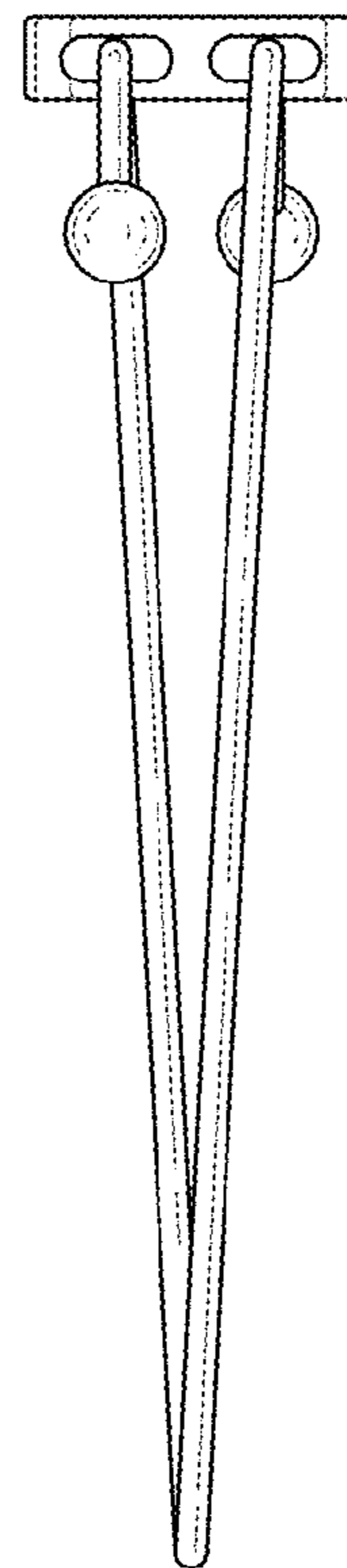


FIG. 7