



US00D704077S

(12) **United States Design Patent**
Monachon

(10) **Patent No.:** **US D704,077 S**

(45) **Date of Patent:** **** May 6, 2014**

(54) **WRISTWATCH**

(71) Applicant: **Omega SA (Omega AG) (Omega Ltd.)**,
Biel/Bienne (CH)

(72) Inventor: **Jean-Claude Monachon**, Bevaix (CH)

(73) Assignee: **Omega SA**, Biel/Bienne (CH)

(**) Term: **14 Years**

(21) Appl. No.: **29/468,932**

(22) Filed: **Oct. 4, 2013**

(51) **LOC (10) Cl.** **10-02**

(52) **U.S. Cl.**
USPC **D10/32**

(58) **Field of Classification Search**
USPC D10/30-39, 122-132; 368/276, 281,
368/282, 80, 223, 228; D11/3, 16, 12
See application file for complete search history.

(56) **References Cited**

U.S. PATENT DOCUMENTS

| | | | | | |
|------------|---|---------|-----------|-------|---------|
| D181,620 S | * | 12/1957 | Bloch | | D10/124 |
| D198,700 S | * | 7/1964 | Wachter | | D10/124 |
| D278,605 S | * | 4/1985 | Didisheim | | D10/39 |
| D301,558 S | * | 6/1989 | Fontana | | D10/126 |
| D365,286 S | * | 12/1995 | Florian | | D10/32 |
| D423,950 S | * | 5/2000 | Bulgari | | D10/32 |
| D507,974 S | * | 8/2005 | Strasser | | D10/30 |

| | | | | | |
|------------|---|---------|------------|-------|---------|
| D554,005 S | * | 10/2007 | Laucella | | D10/39 |
| D568,176 S | * | 5/2008 | Monachon | | D10/32 |
| D580,291 S | * | 11/2008 | Antifora | | D10/126 |
| D582,309 S | * | 12/2008 | Hamel | | D10/126 |
| D591,180 S | * | 4/2009 | Monachon | | D10/39 |
| D614,512 S | * | 4/2010 | Monachon | | D10/32 |
| D623,078 S | * | 9/2010 | Hegi | | D10/32 |
| D628,110 S | * | 11/2010 | Boulangéot | | D10/126 |
| D671,014 S | * | 11/2012 | Monachon | | D10/32 |
| D671,015 S | * | 11/2012 | Monachon | | D10/32 |
| D674,710 S | * | 1/2013 | Monachon | | D10/32 |

* cited by examiner

Primary Examiner — Lucy Lieberman

(74) *Attorney, Agent, or Firm* — Donald J. Ranft; Collen IP

(57) **CLAIM**

The ornamental design for a wristwatch, as shown and described.

DESCRIPTION

FIG. 1 is a front right perspective view of a wristwatch showing my new design;

FIG. 2 is a front view thereof;

FIG. 3 is a rear view thereof;

FIG. 4 is a left side view thereof;

FIG. 5 is a right side view thereof;

FIG. 6 is a bottom view thereof; and,

FIG. 7 is a top view thereof.

The portions of the wristwatch shown in broken lines form no part of the claimed design.

1 Claim, 7 Drawing Sheets





FIG. 1



FIG. 2

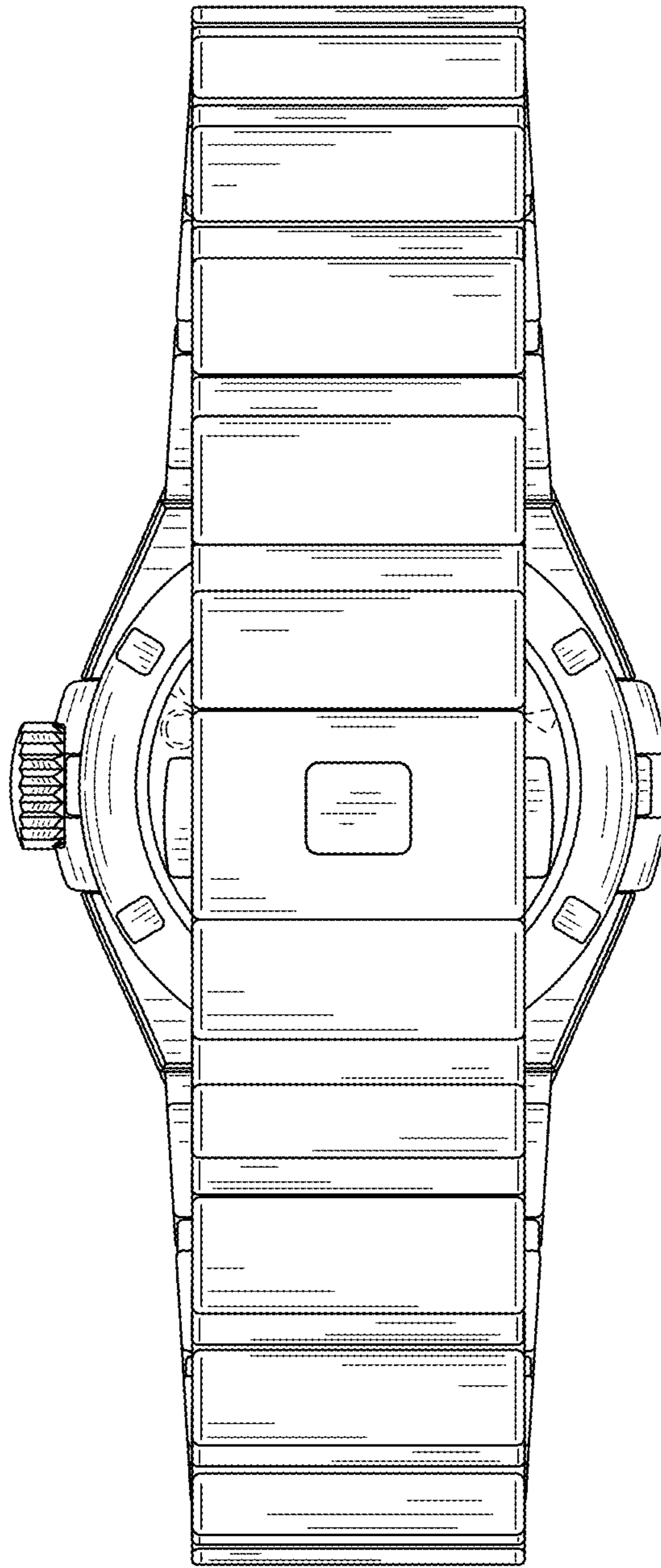


FIG. 3

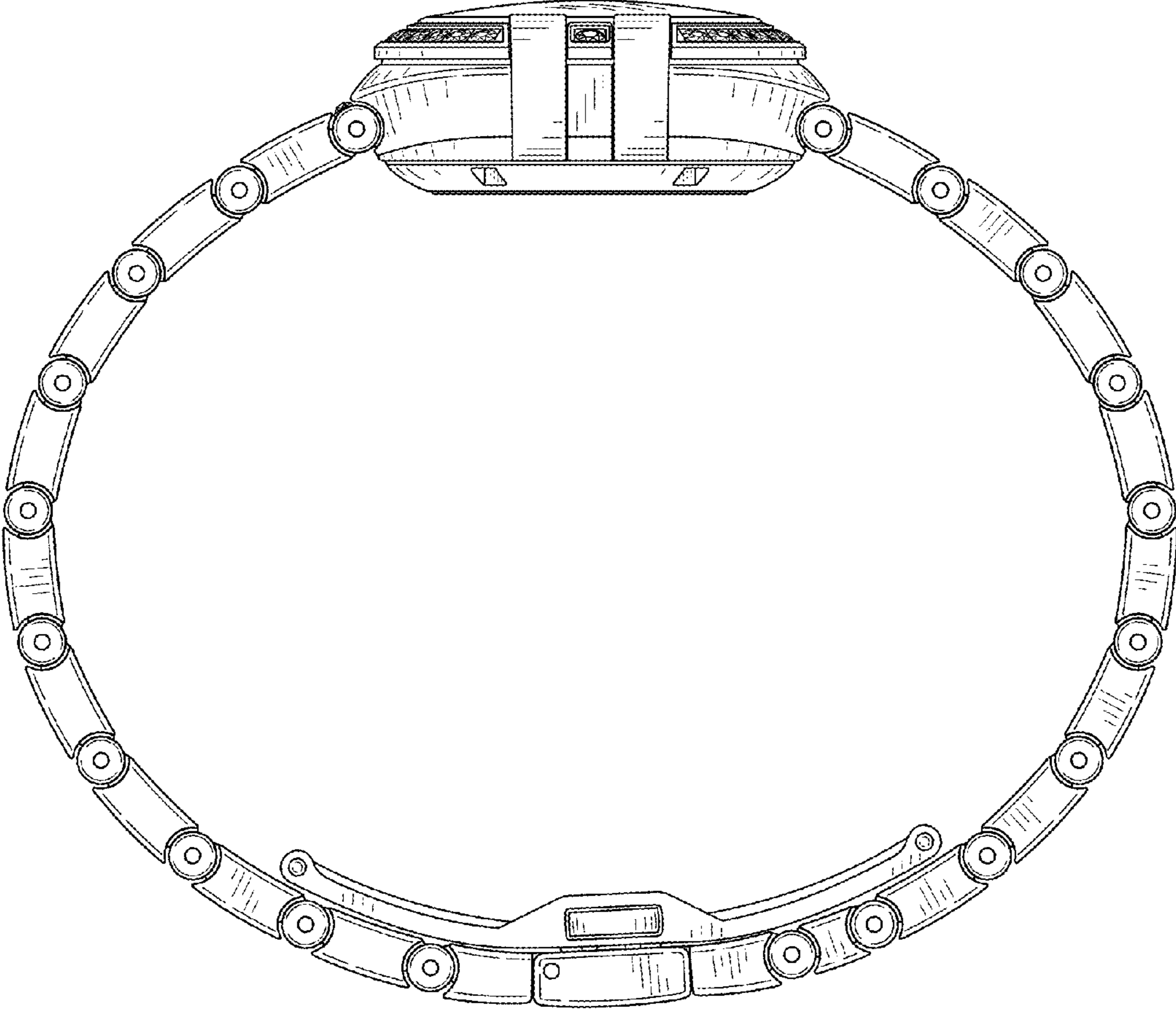


FIG. 4

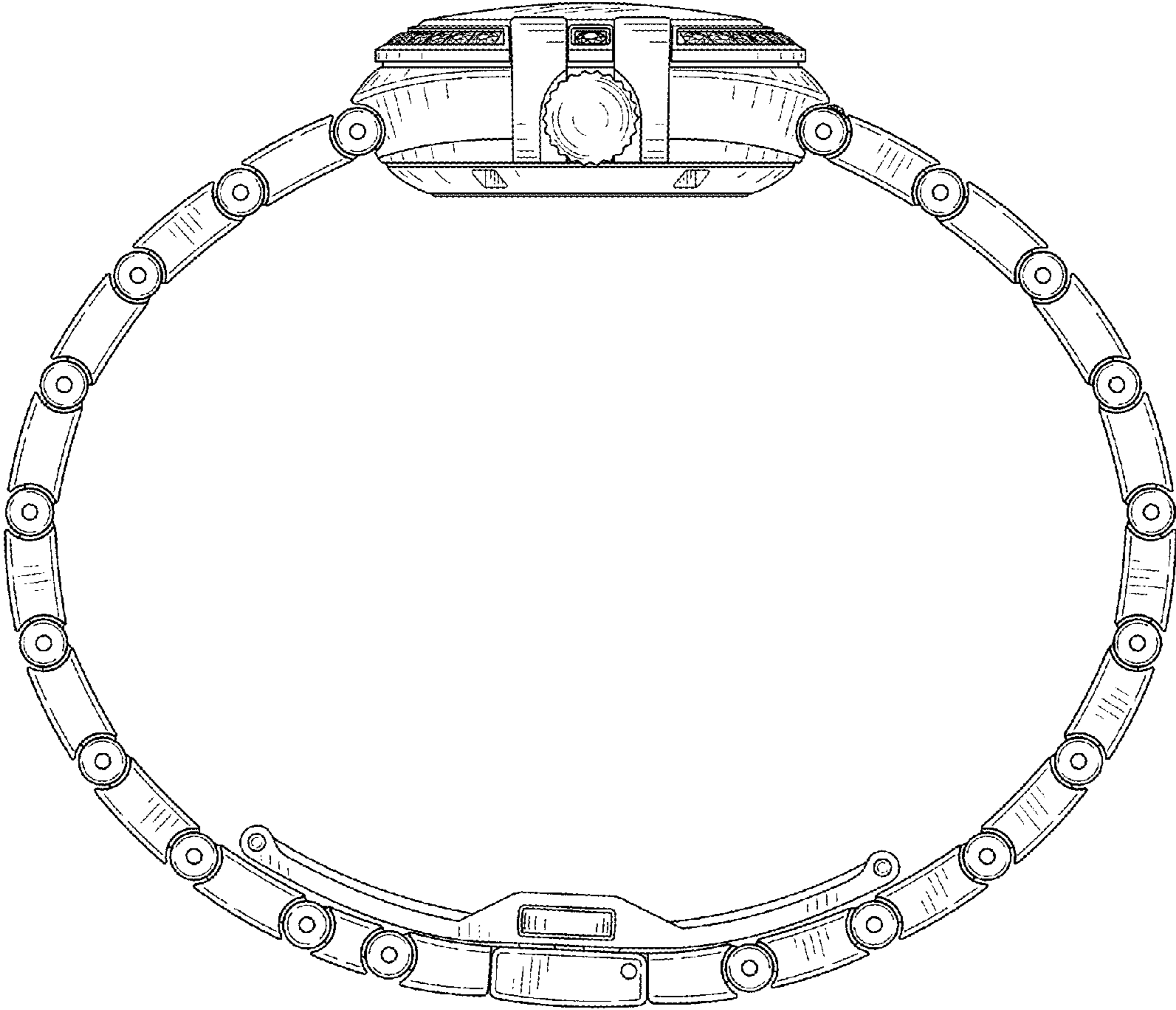


FIG. 5

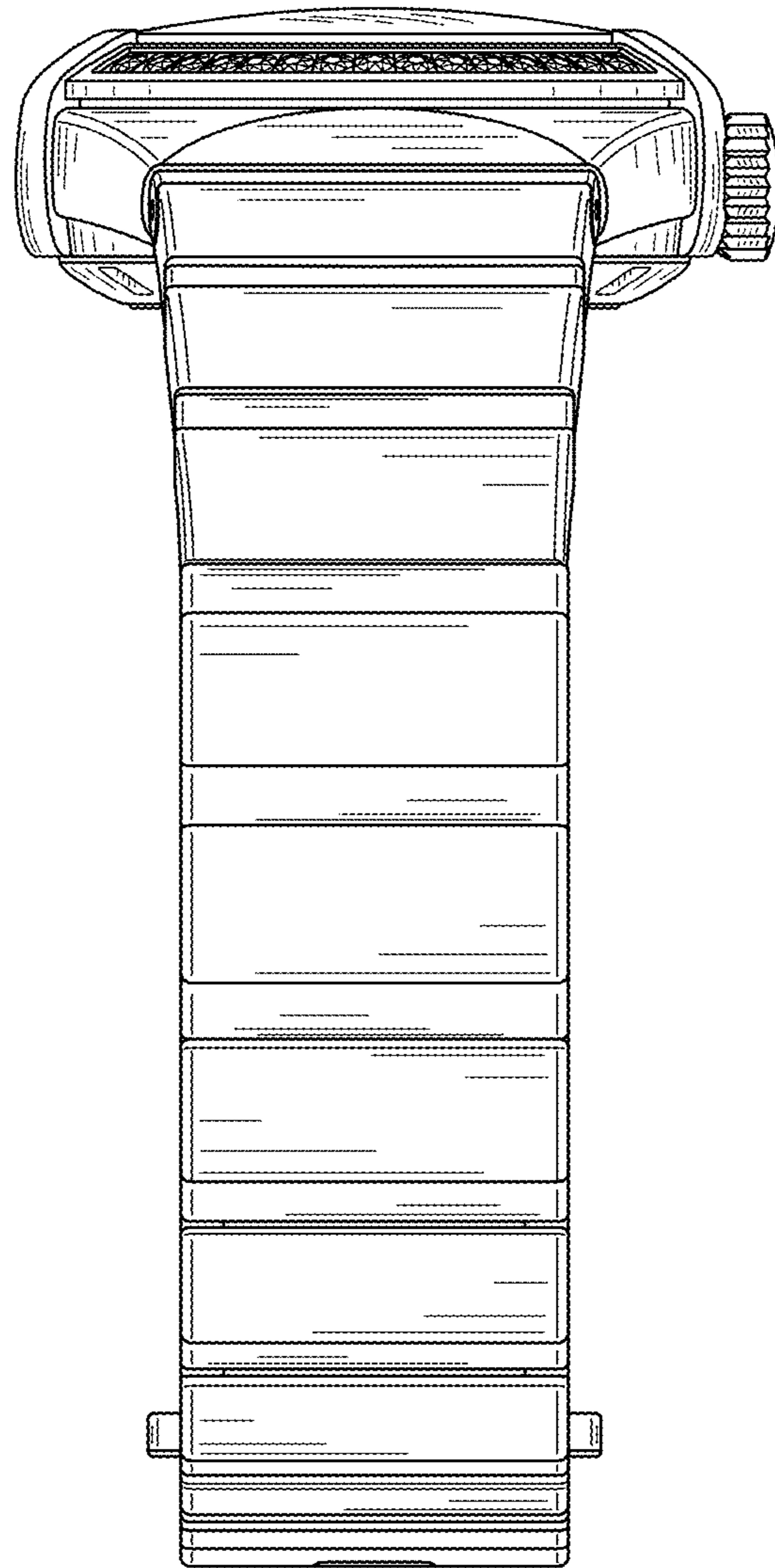


FIG. 6

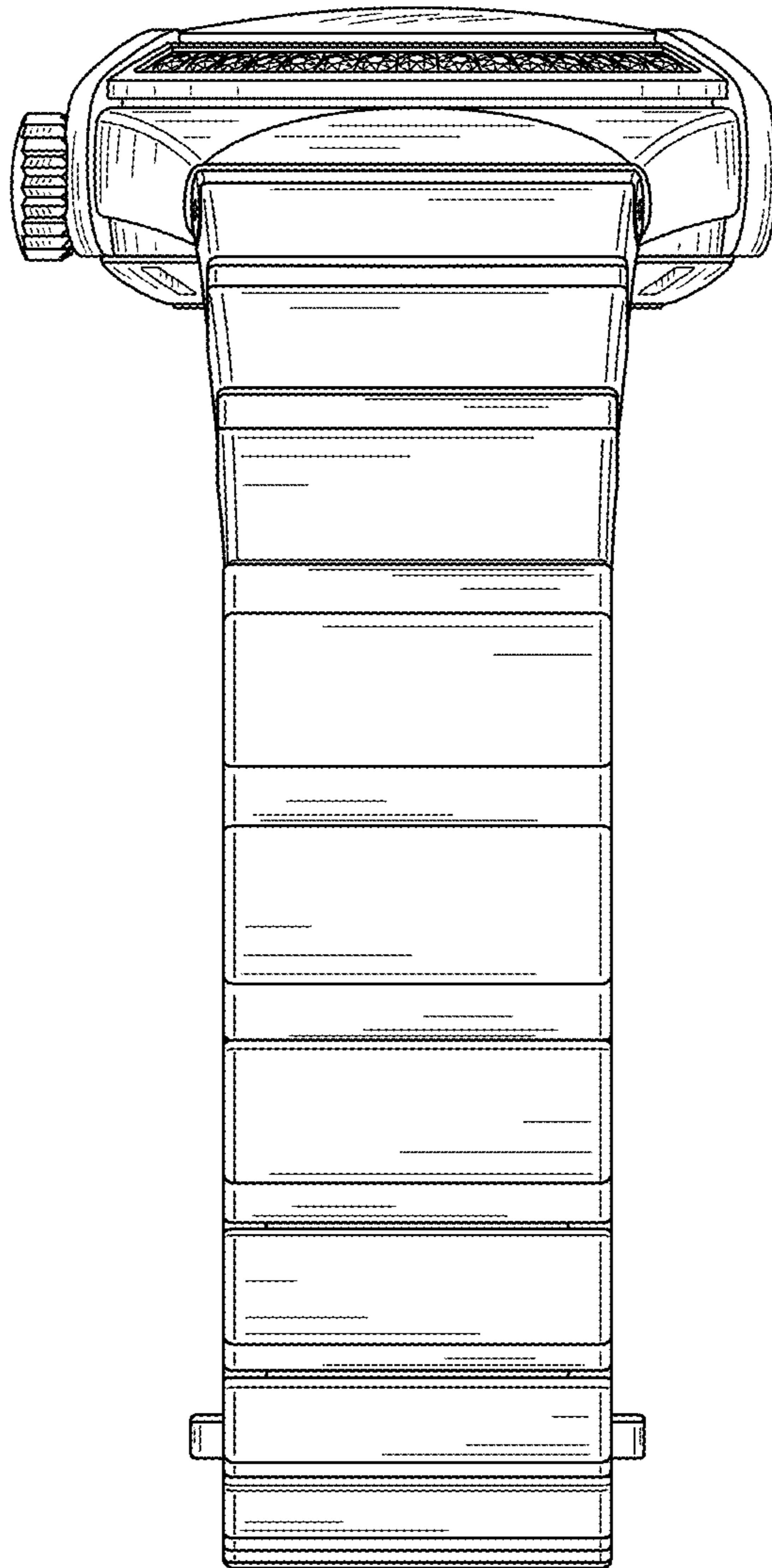


FIG. 7