

US00D704076S

(12) **United States Design Patent**
Poandl

(10) **Patent No.:** **US D704,076 S**
(45) **Date of Patent:** **** May 6, 2014**

- (54) **BLUETOOTH ENABLED ALARM CLOCK**
- (71) Applicant: **Mary Beth Poandl**, Red Bank, NJ (US)
- (72) Inventor: **Mary Beth Poandl**, Red Bank, NJ (US)
- (73) Assignee: **SDI Technologies, Inc.**, Rahway, NJ (US)

8,036,067	B2 *	10/2011	Stuart	368/73
D648,743	S *	11/2011	Chang	D14/496
D658,151	S *	4/2012	Joseph	D14/171
D659,670	S *	5/2012	Goetzen et al.	D14/194
D666,577	S *	9/2012	Skurdal	D14/171
8,384,527	B2 *	2/2013	Irwin	340/309.16
D688,228	S *	8/2013	Ryu et al.	D14/209.1
D688,229	S *	8/2013	Ryu et al.	D14/209.1
2002/0186618	A1 *	12/2002	Kirkpatrick	368/11
2010/0177598	A1 *	7/2010	Zhang et al.	368/10

(**) Term: **14 Years**

* cited by examiner

(21) Appl. No.: **29/465,044**

Primary Examiner — Lucy Lieberman

(22) Filed: **Aug. 23, 2013**

(74) *Attorney, Agent, or Firm* — Ostrolenk Faber LLP

(51) **LOC (10) Cl.** **10-01**

(52) **U.S. Cl.**

USPC **D10/2; D10/15; D14/172**

(58) **Field of Classification Search**

USPC **D10/1-29; 368/10, 316, 317; D14/170, D14/171, 172, 209.1**

See application file for complete search history.

(57) **CLAIM**

The ornamental design for a bluetooth enabled alarm clock, as shown and described.

DESCRIPTION

FIG. 1 is a front, perspective view of a bluetooth enabled alarm clock showing my new design;
 FIG. 2 is a front view thereof;
 FIG. 3 is a rear view thereof;
 FIG. 4 is a top view thereof;
 FIG. 5 is a bottom view thereof; and,
 FIG. 6 is a right side view thereof, the opposite side view being a mirror image.

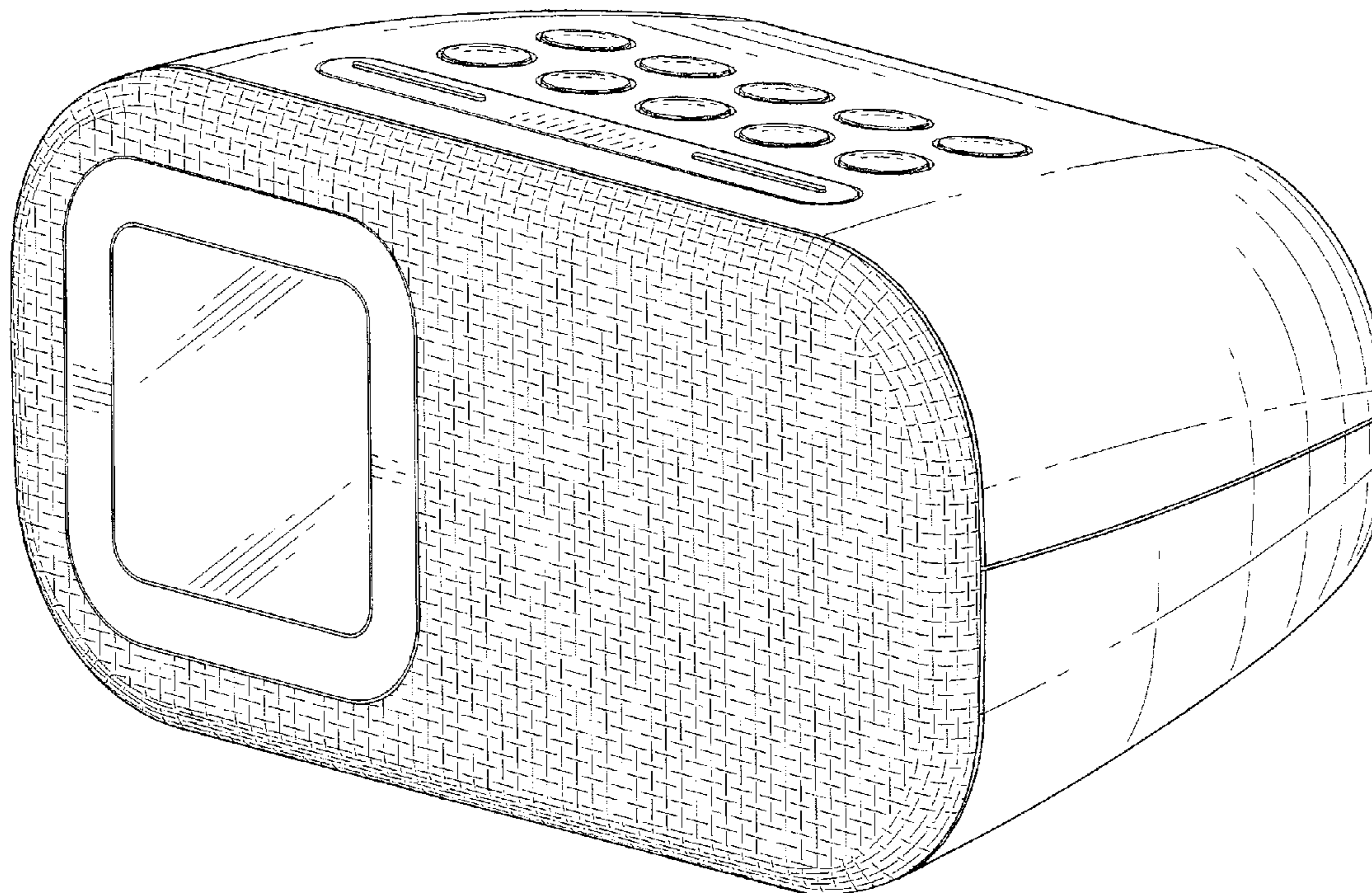
The equal length broken lines in drawing FIGS. 1, 2, 4, 5 and 6 illustrate a mesh. The unequal length broken lines in the drawings illustrate surface shading.

(56) **References Cited**

U.S. PATENT DOCUMENTS

D232,766	S *	9/1974	Houlihan	D14/170
D475,301	S *	6/2003	Kiu	D10/15
D577,709	S *	9/2008	Skurdal	D14/171
D583,358	S *	12/2008	Joseph	D14/171
D605,625	S *	12/2009	Skurdal	D14/171
D614,200	S *	4/2010	Skurdal	D14/496
D622,258	S *	8/2010	Joseph	D14/171
D622,260	S *	8/2010	Poandl	D14/171
D645,841	S *	9/2011	Joseph	D14/171

1 Claim, 6 Drawing Sheets



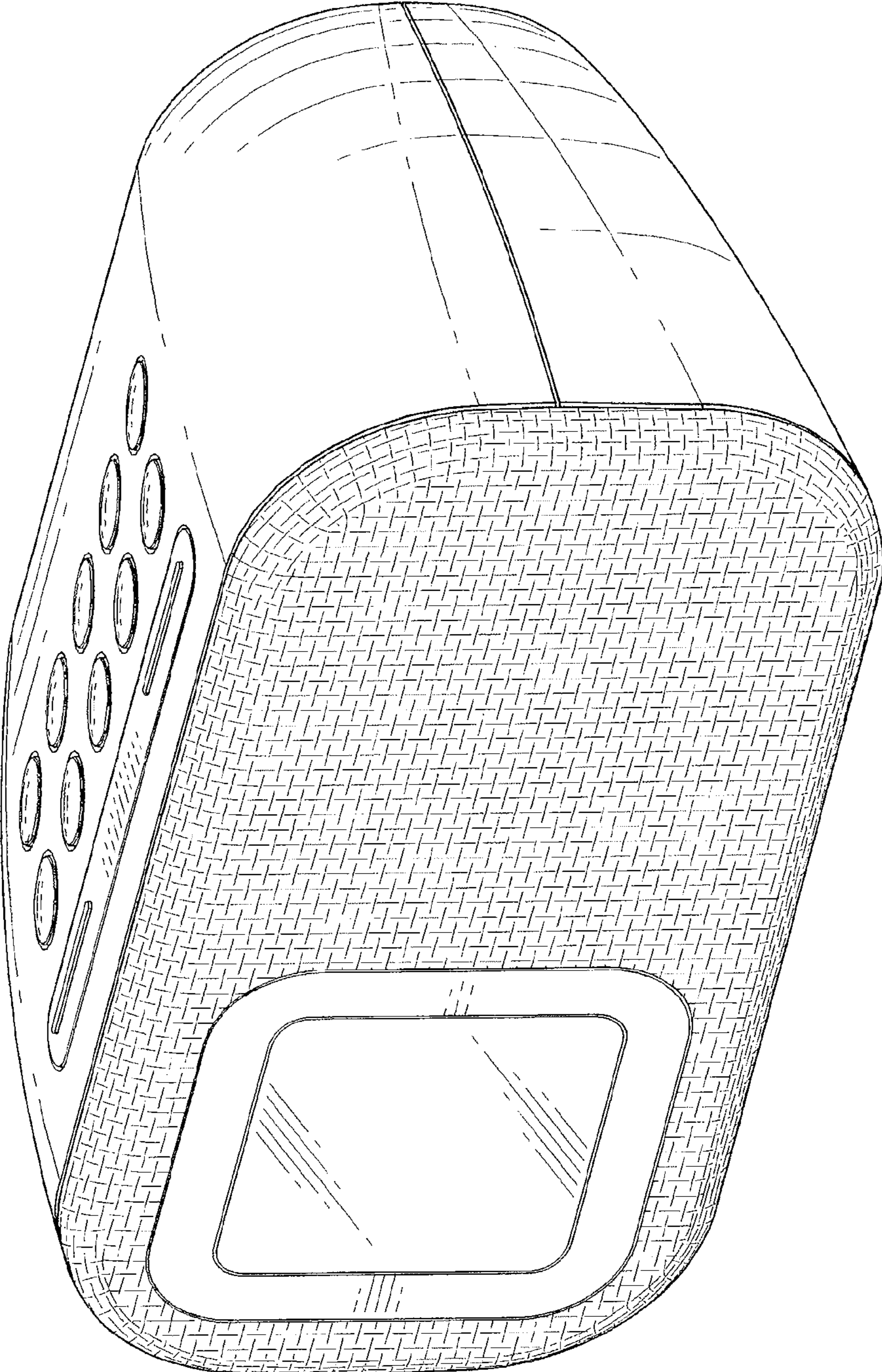


FIG.1

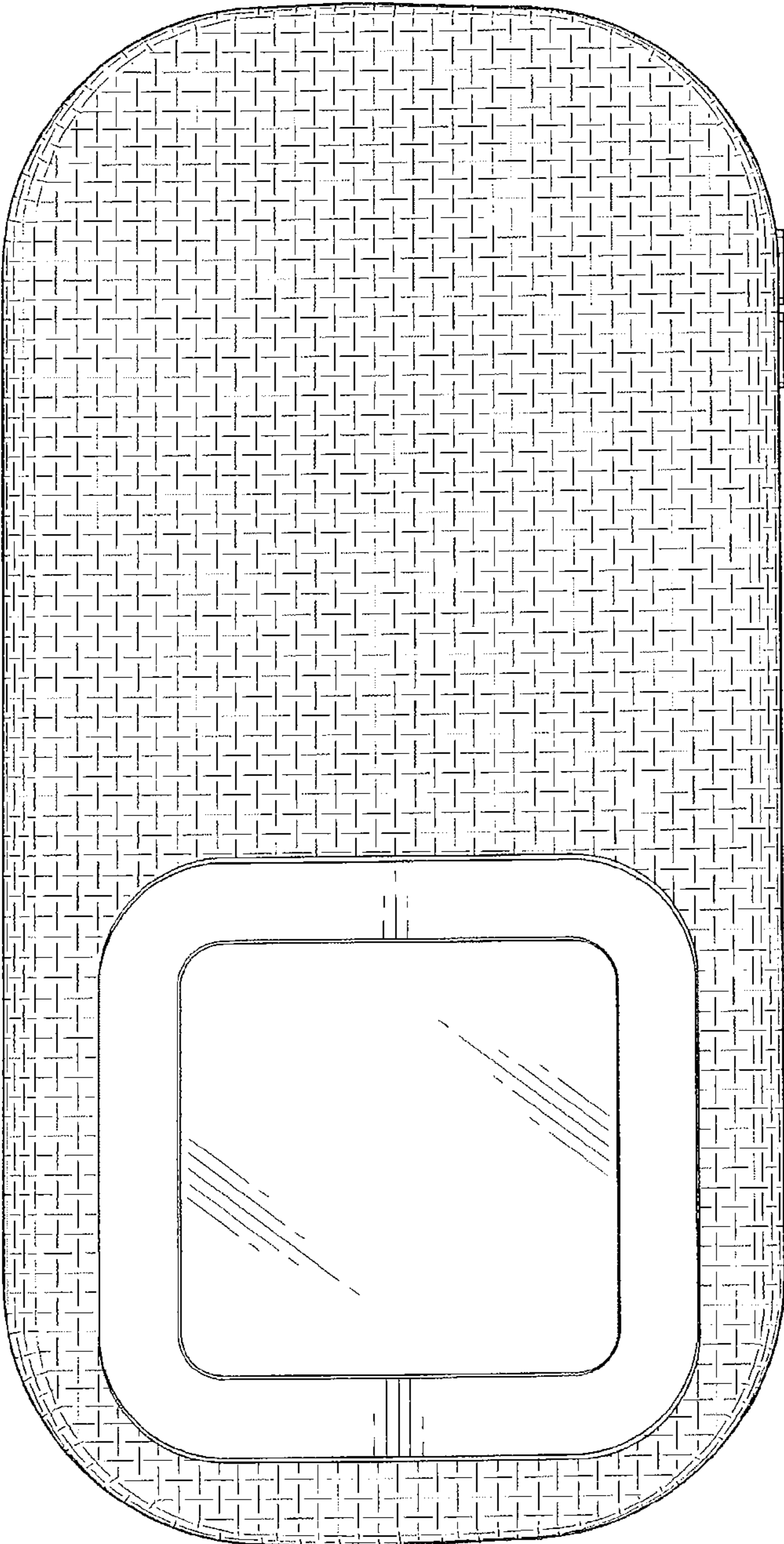


FIG. 2

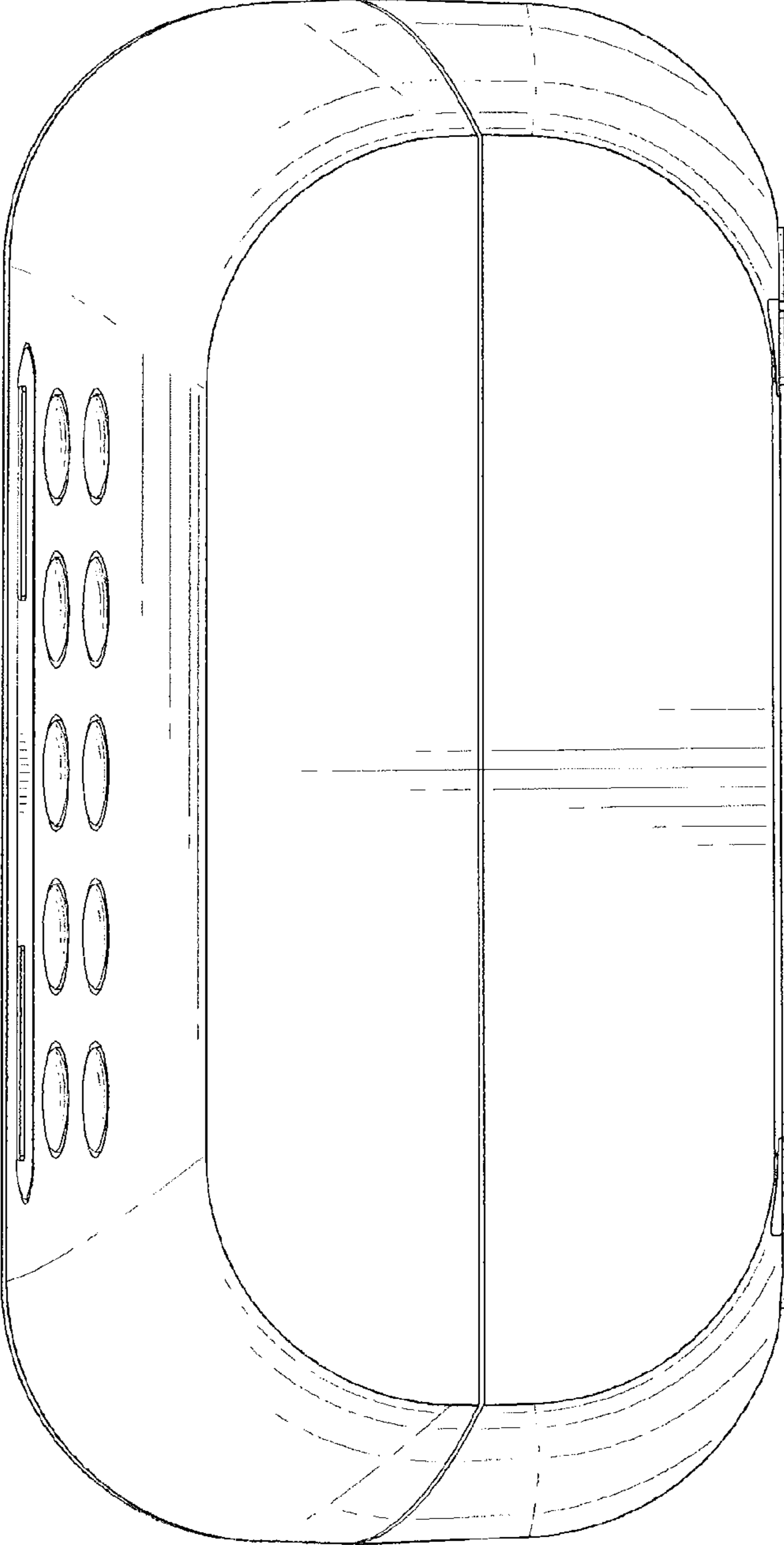


FIG. 3

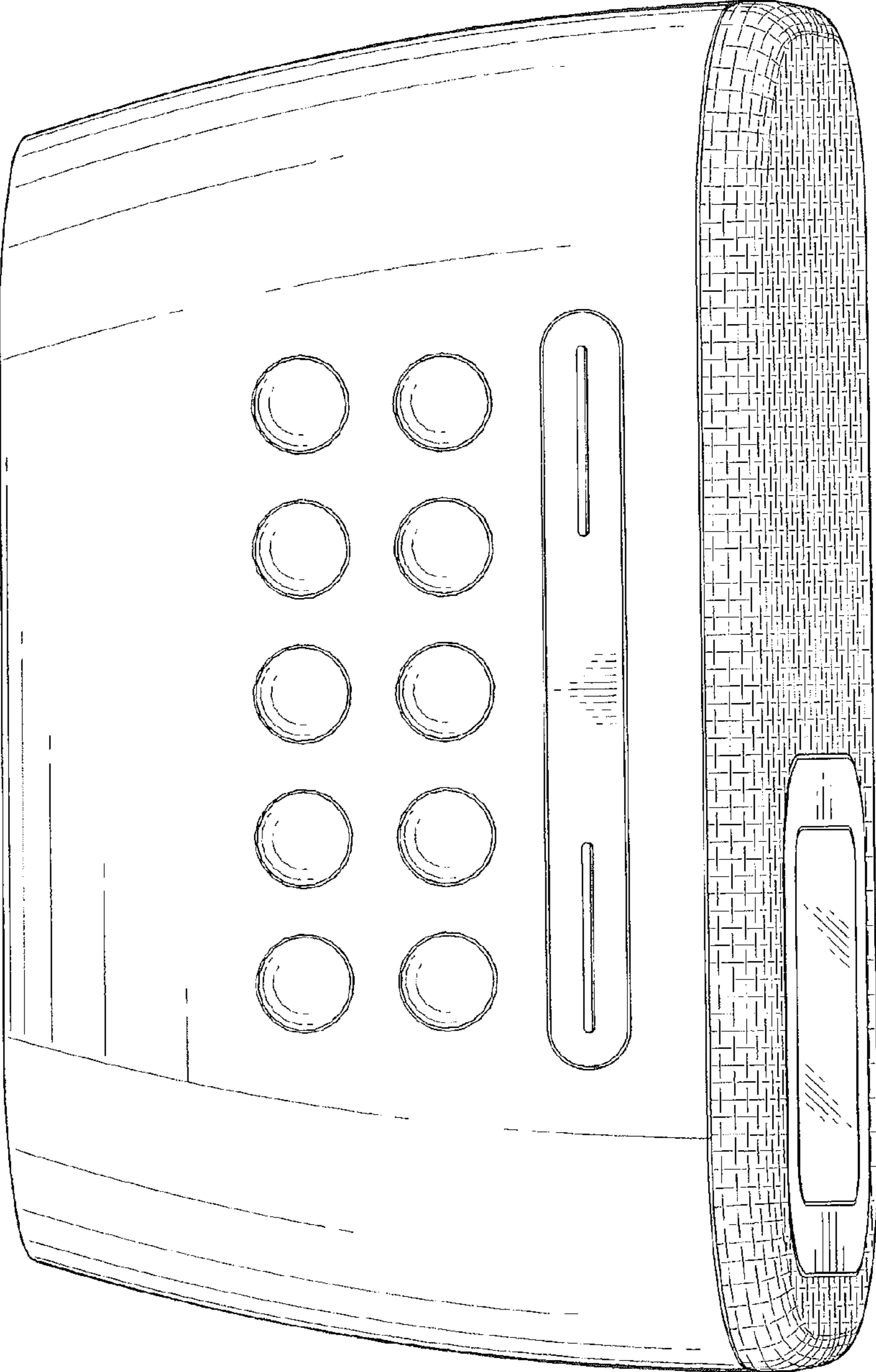


FIG. 4

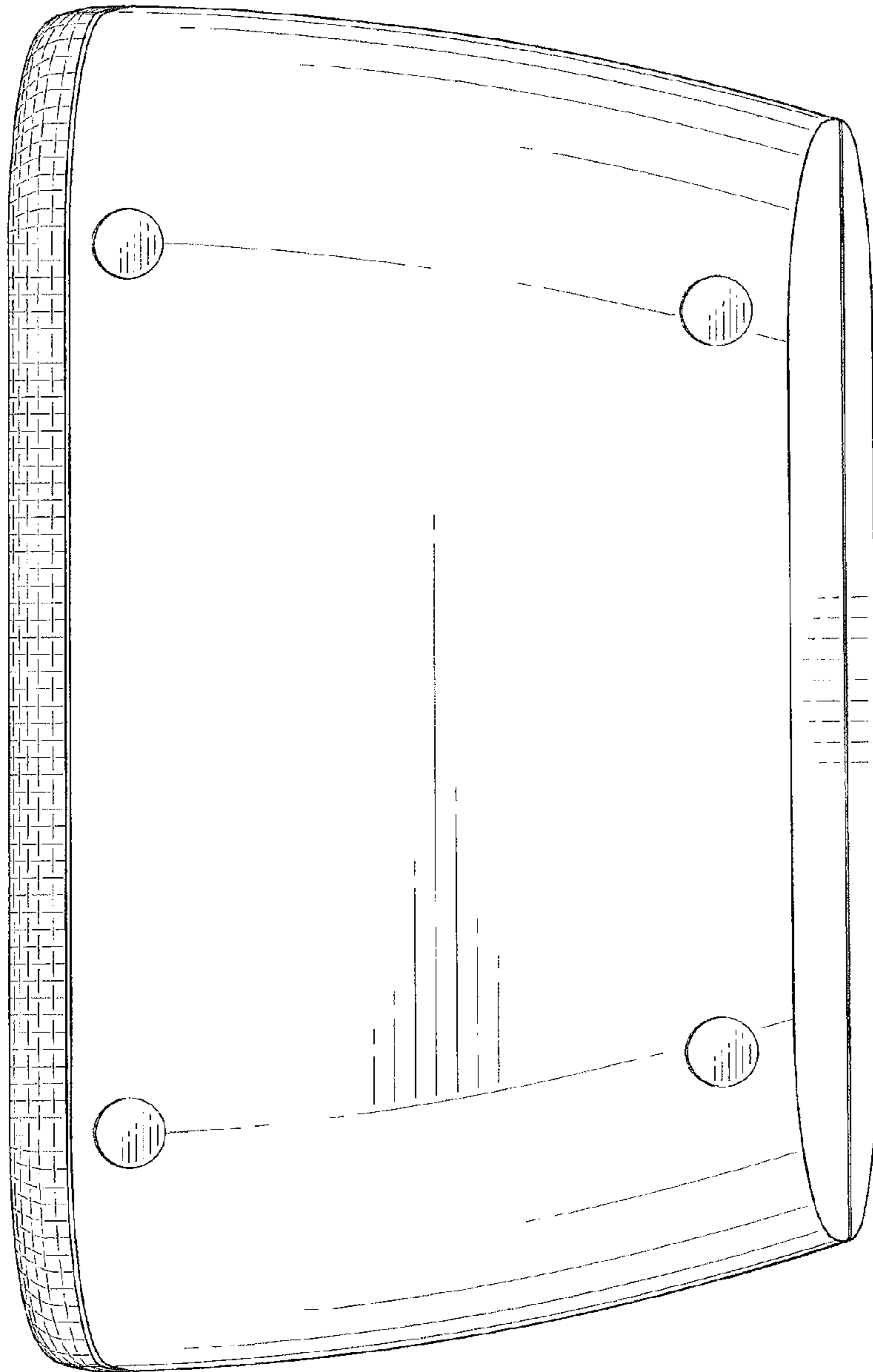


FIG. 5

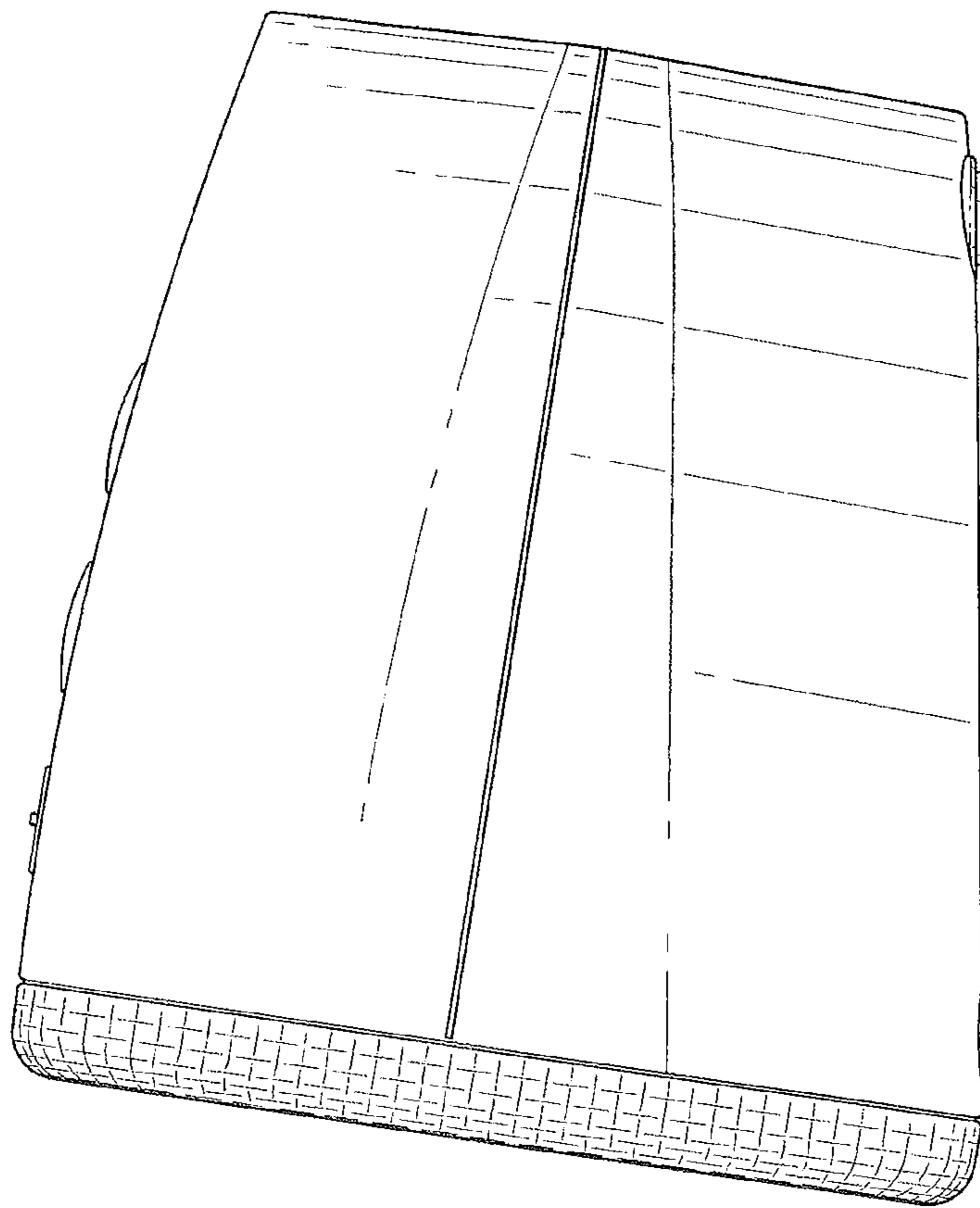


FIG. 6