



US00D704072S

(12) **United States Design Patent**
Akana et al.

(10) **Patent No.:** **US D704,072 S**

(45) **Date of Patent:** **** May 6, 2014**

(54) **PACKAGING WITH ACCESSORIES**

(75) Inventors: **Jody Akana**, San Francisco, CA (US); **Bartley K. Andre**, Palo Alto, CA (US); **Shota Aoyagi**, San Francisco, CA (US); **Jeremy Bataillou**, San Francisco, CA (US); **Daniel J. Coster**, San Francisco, CA (US); **Daniele De Iuliis**, San Francisco, CA (US); **M. Evans Hankey**, San Francisco, CA (US); **Julian Hoenig**, San Francisco, CA (US); **Richard P. Howarth**, San Francisco, CA (US); **Jonathan P. Ive**, San Francisco, CA (US); **Duncan Robert Kerr**, San Francisco, CA (US); **Shin Nishibori**, Kailua, HI (US); **Matthew Dean Rohrbach**, San Francisco, CA (US); **Peter Russell-Clarke**, San Francisco, CA (US); **Mikael Silvanto**, San Francisco, CA (US); **Christopher J. Stringer**, Woodside, CA (US); **Eugene Antony Whang**, San Francisco, CA (US); **Rico Zörkendörfer**, San Francisco, CA (US)

(73) Assignee: **Apple Inc.**, Cupertino, CA (US)

(**) Term: **14 Years**

(21) Appl. No.: **29/431,882**

(22) Filed: **Sep. 12, 2012**

(51) **LOC (10) Cl.** **09-01**

(52) **U.S. Cl.**
USPC **D9/721**

(58) **Field of Classification Search**
USPC D9/414, 418, 423, 424, 425, 426, 430, D9/432, 455, 456, 457, 737; 206/38, 192, 206/199, 201, 203, 214, 216, 223, 370, 467, 206/471, 557, 562, 564, 570, 581, 769, 770, 206/775, 776, 777, 820, 823; 229/100, 229/103.3, 162.1, 117.03–117.08, 186, 917, 229/933, 937, 942

See application file for complete search history.

(56) **References Cited**

U.S. PATENT DOCUMENTS

1,315,593 A 9/1919 Binder
D273,178 S * 3/1984 Dunlap D9/721

(Continued)

OTHER PUBLICATIONS

Jacostore.co.uk, “Black Ladybird Beetle Earphones,” (<http://www.jacostore.co.uk/black-ladybird-beetle-earphones-45-p.asp>), accessed Oct. 19, 2012.

(Continued)

Primary Examiner — Derrick Holland

Assistant Examiner — Lauren Calve

(74) *Attorney, Agent, or Firm* — Sterne, Kessler, Goldstein & Fox PLLC

(57) **CLAIM**

The ornamental design for packaging with accessories, as shown and described.

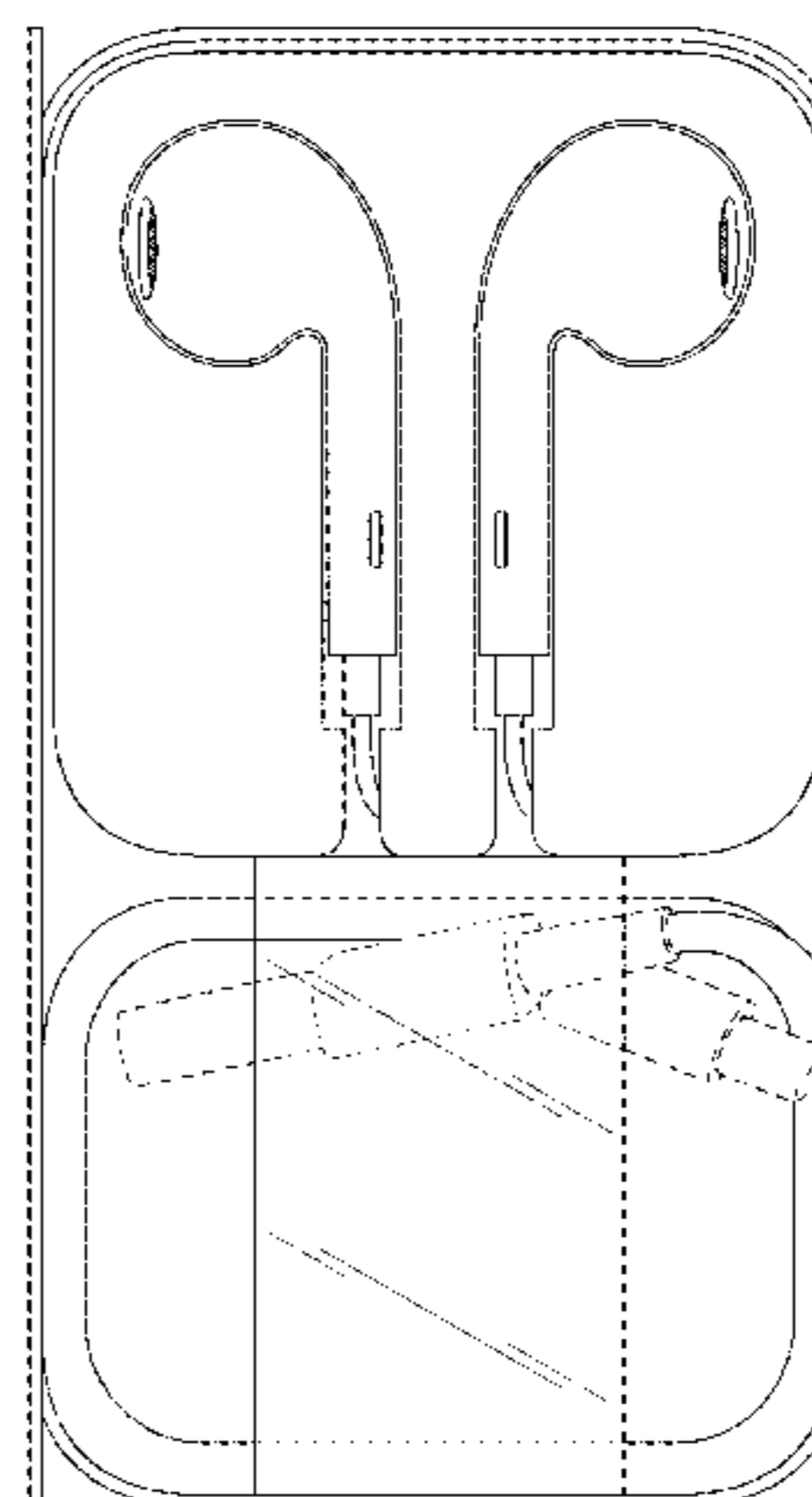
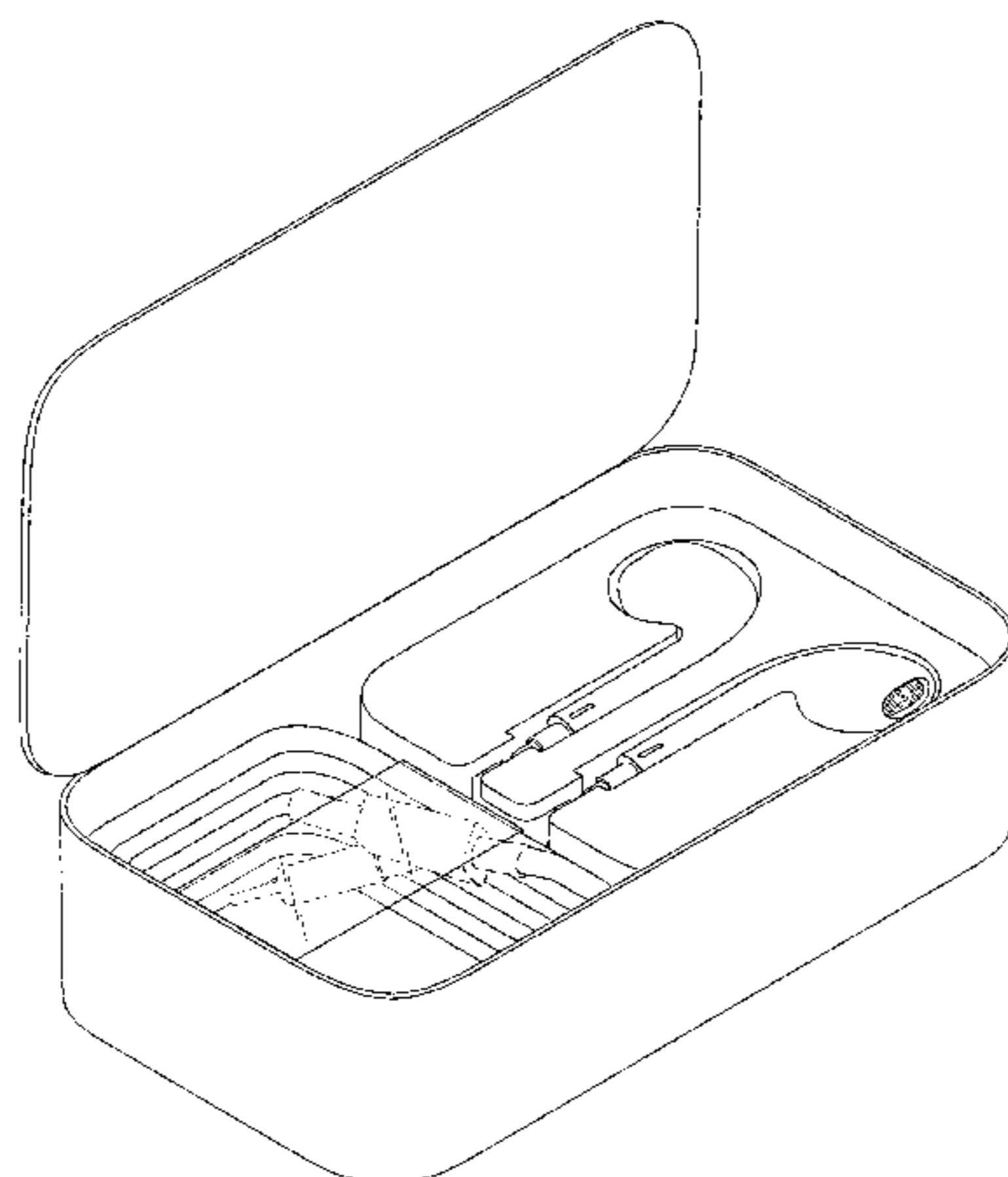
DESCRIPTION

FIG. 1 is a front perspective view of packaging with accessories showing our new design;
FIG. 2 is another front perspective view thereof in combination with environment with which the packaging with accessories may be used;
FIG. 3 is a front view thereof;
FIG. 4 is a rear view thereof;
FIG. 5 is a left side view thereof;
FIG. 6 is a right side view thereof;
FIG. 7 is a top view thereof; and,
FIG. 8 is a bottom view thereof.

The broken lines in the Figures show portions of the packaging with accessories and environment that form no part of the claimed design.

The shade lines in the Figures show transparency and not surface ornamentation.

1 Claim, 7 Drawing Sheets



(56)

References Cited

U.S. PATENT DOCUMENTS

4,542,822	A	9/1985	Kennedy, Jr. et al.	
4,938,344	A *	7/1990	McHale et al.	206/45.25
5,394,983	A *	3/1995	Latulippe et al.	206/370
5,462,170	A *	10/1995	Colgate	206/574
D369,295	S	4/1996	Kobari et al.	
5,730,294	A *	3/1998	Blosser et al.	206/581
D397,865	S	9/1998	Lin	
5,984,224	A	11/1999	Yang	
6,305,539	B1	10/2001	Sanders, Jr.	
6,571,956	B2 *	6/2003	Mann	206/581
D506,744	S	6/2005	Andre et al.	
D531,025	S	10/2006	Tanner	
D580,752	S	11/2008	Andre et al.	
D601,884	S	10/2009	Andre et al.	
D604,501	S	11/2009	Lee	
D607,317	S	1/2010	Collins	
D621,256	S	8/2010	Andre et al.	
D633,388	S	3/2011	Andre et al.	
D649,449	S	11/2011	Akana et al.	
D658,492	S	5/2012	Akana et al.	
D659,530	S	5/2012	Akana et al.	
D668,143	S	10/2012	Akana et al.	
8,564,436	B2 *	10/2013	Oleen	340/545.6
8,602,254	B2 *	12/2013	Ki	220/826
2005/0194021	A1 *	9/2005	Byun	132/295
2012/0128193	A1 *	5/2012	Stevinson	381/384

OTHER PUBLICATIONS

Akana et al., U.S. Appl. No. 29/431,563, "Earphones," filed Sep. 8, 2012 (Not Published).
 Akana et al., U.S. Appl. No. 29/431,731, "Stand," filed Sep. 11, 2012 (Not Published).
 Akana et al., U.S. Appl. No. 29/431,868, "Packaging," filed Sep. 11, 2012 (Not Published).
 Akana et al., U.S. Appl. No. 29/431,876, "Packaging with Accessory," filed Sep. 11, 2012 (Not Published).
 Akana et al., U.S. Appl. No. 29/431,877, "packaging with Accessories," filed Sep. 12, 2012 (Not Published).
 Akana et al., U.S. Appl. No. 29/431,920, "Packaging with Accessory," filed Sep. 12, 2012 (Not Published).
 Akana et al., U.S. Appl. No. 29/432,033, "Earphones," filed Sep. 12, 2012 (Not Published).
 Akana et al., U.S. Appl. No. 29/432,035, "Packaging with Accessories," filed Sep. 12, 2012 (Not Published).
 Akana et al., U.S. Appl. No. 29/432,147, "Packaging with Accessories," filed Sep. 13, 2012 (Not Published).
 Akana et al., U.S. Appl. No. 29/432,409, "Packaging with Accessories," filed Sep. 14, 2012 (Not Published).
 Birgers et al., U.S. Appl. No. 29/408,999, "Cable Hanking," filed Dec. 19, 2011 (Not published).
 Birgers et al., U.S. Appl. No. 29/409,740, "Cable Hanking," filed Dec. 28, 2011 (Not Published).

* cited by examiner

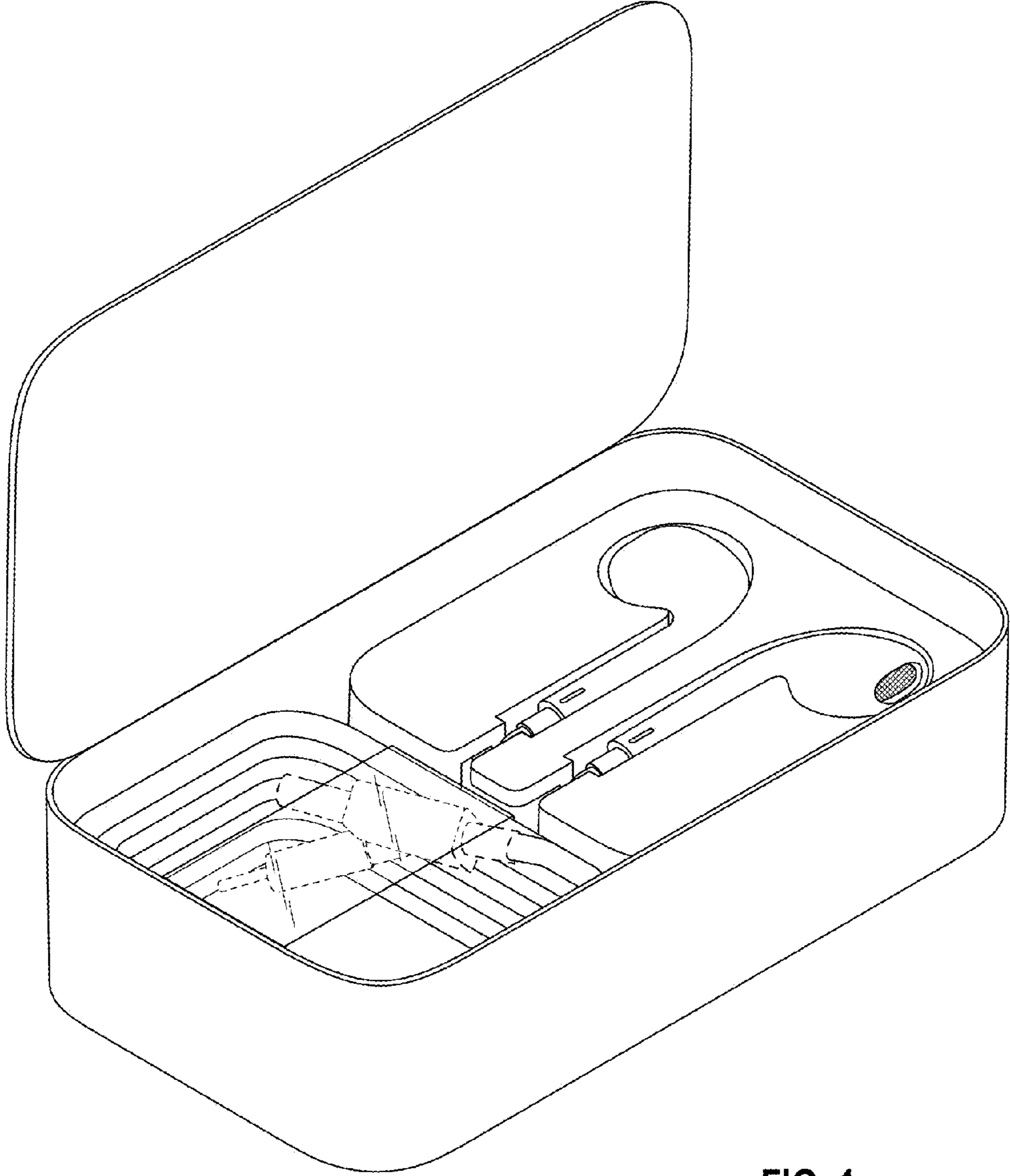


FIG. 1

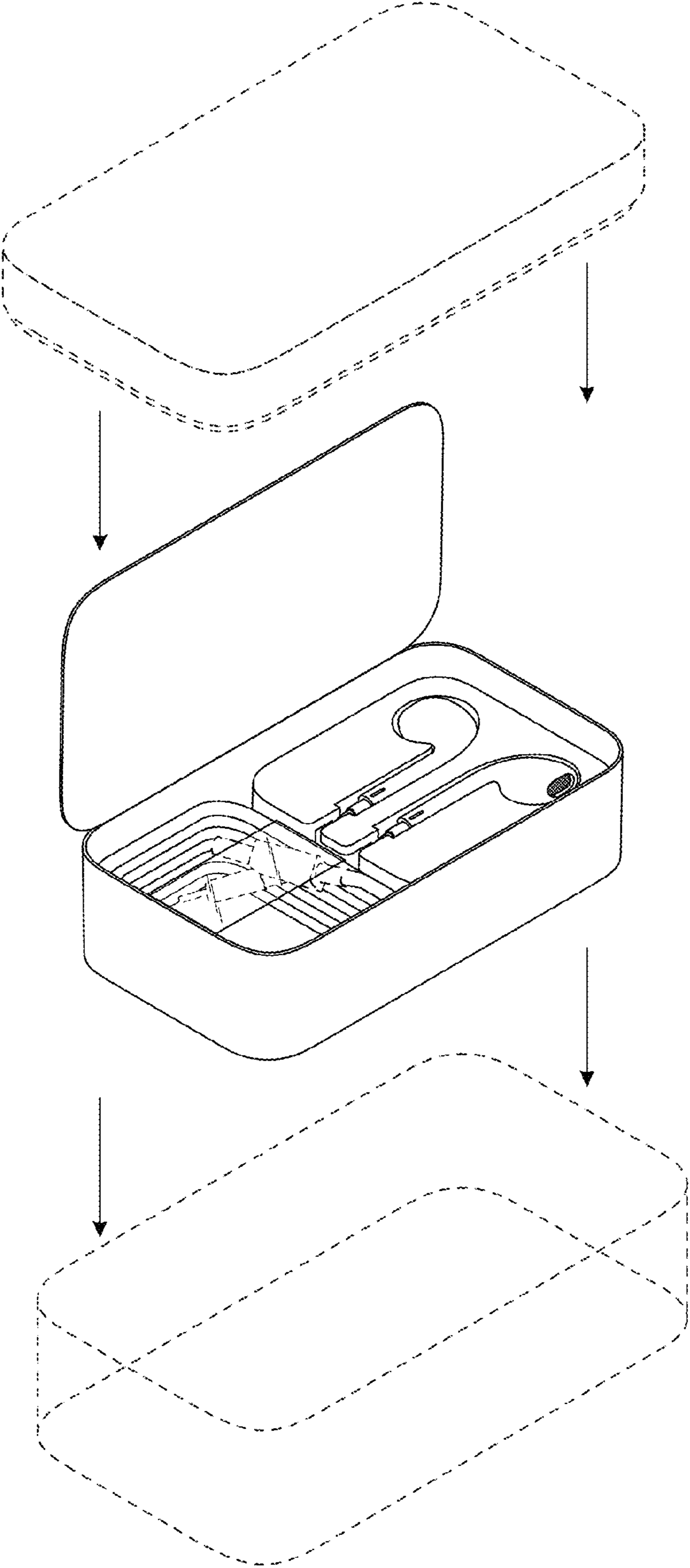


FIG. 2

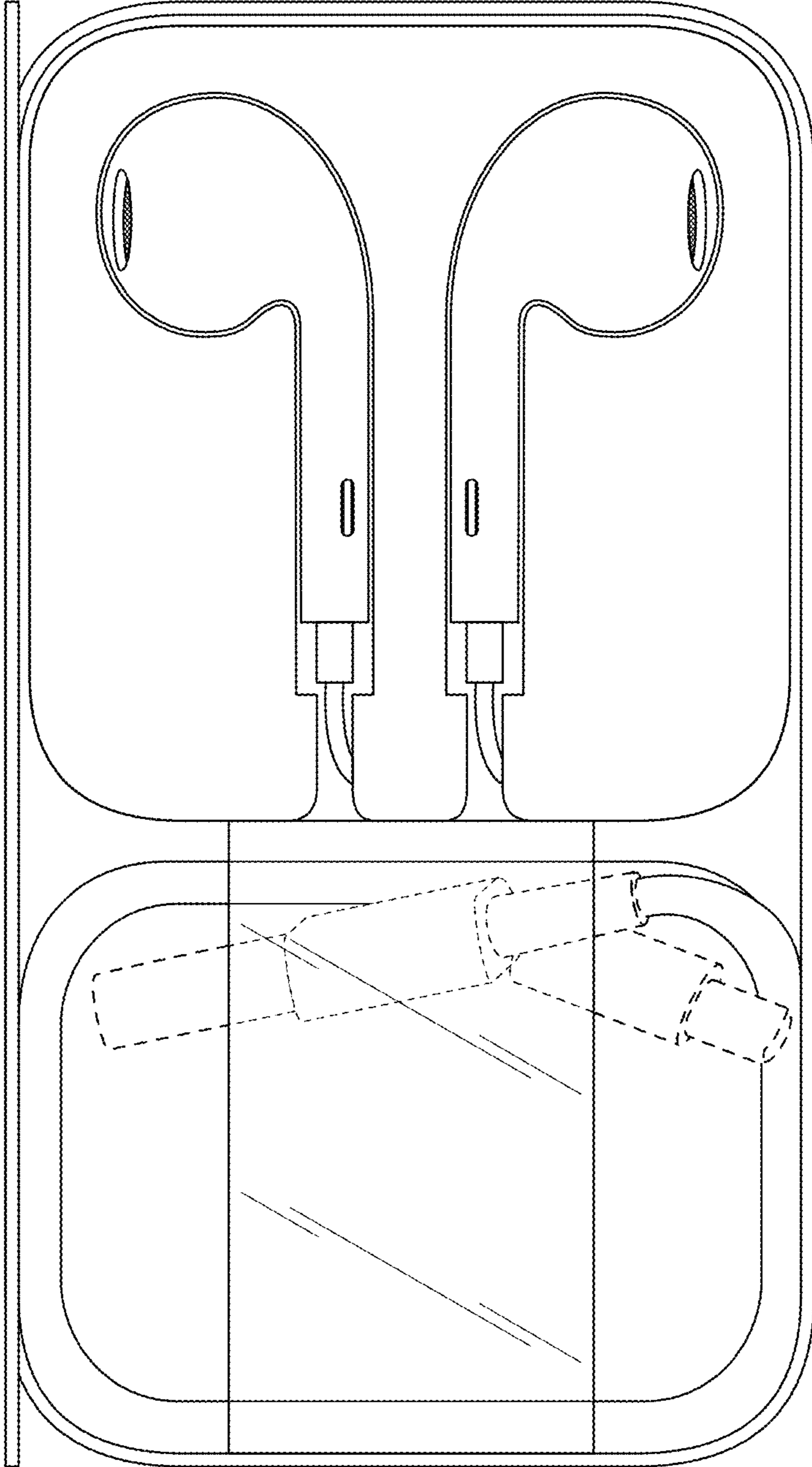


FIG. 3

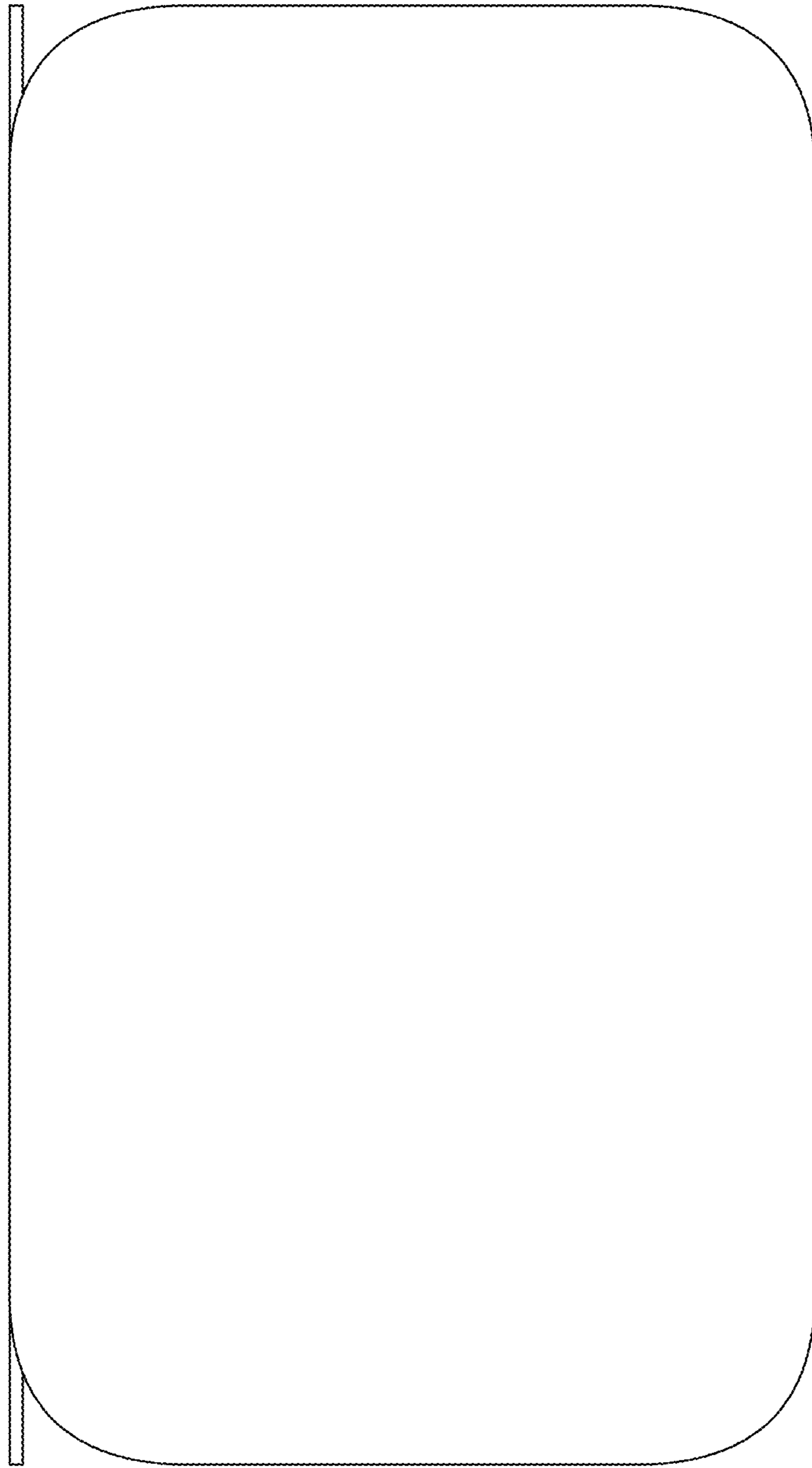


FIG. 4

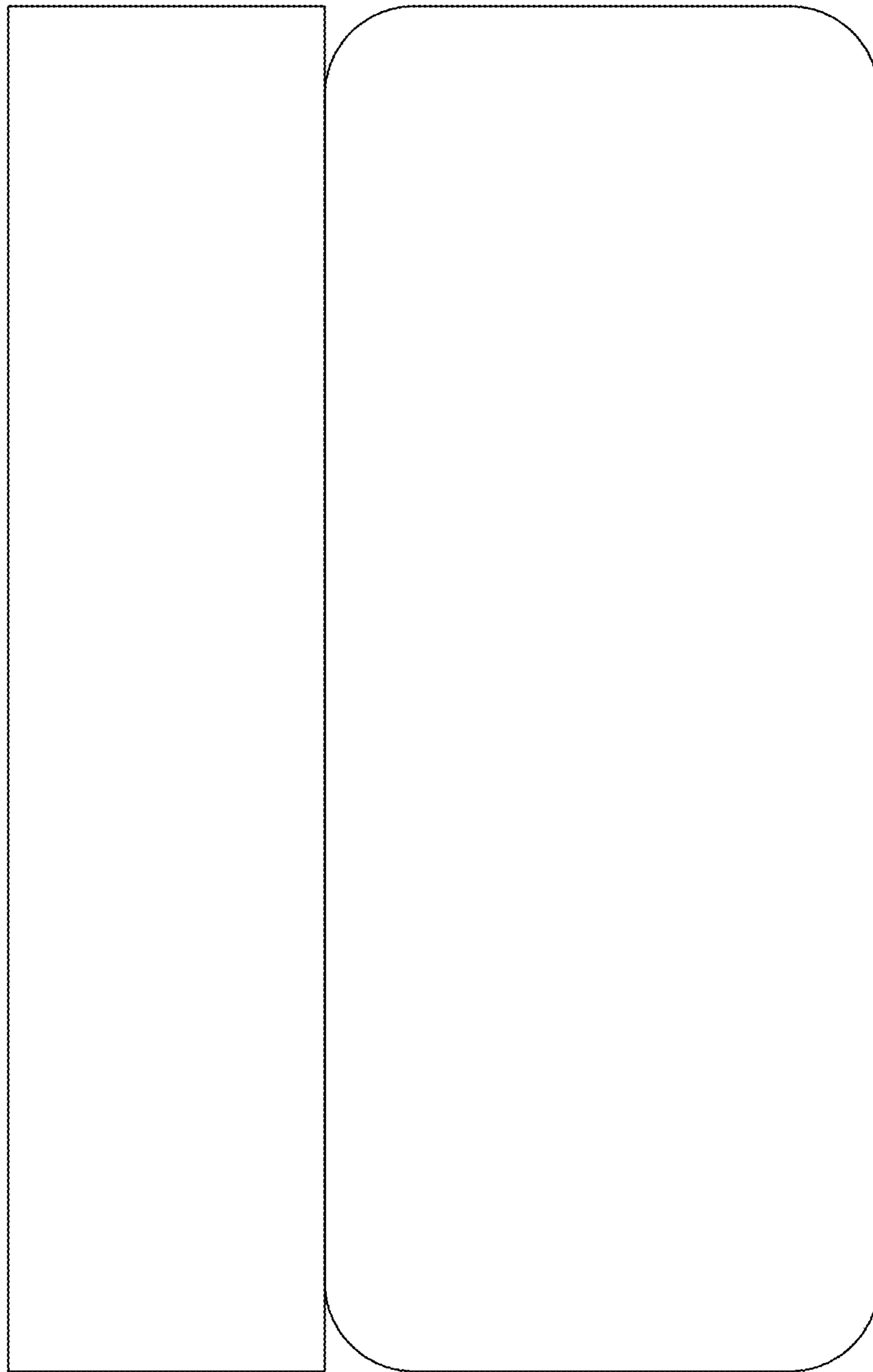


FIG. 5

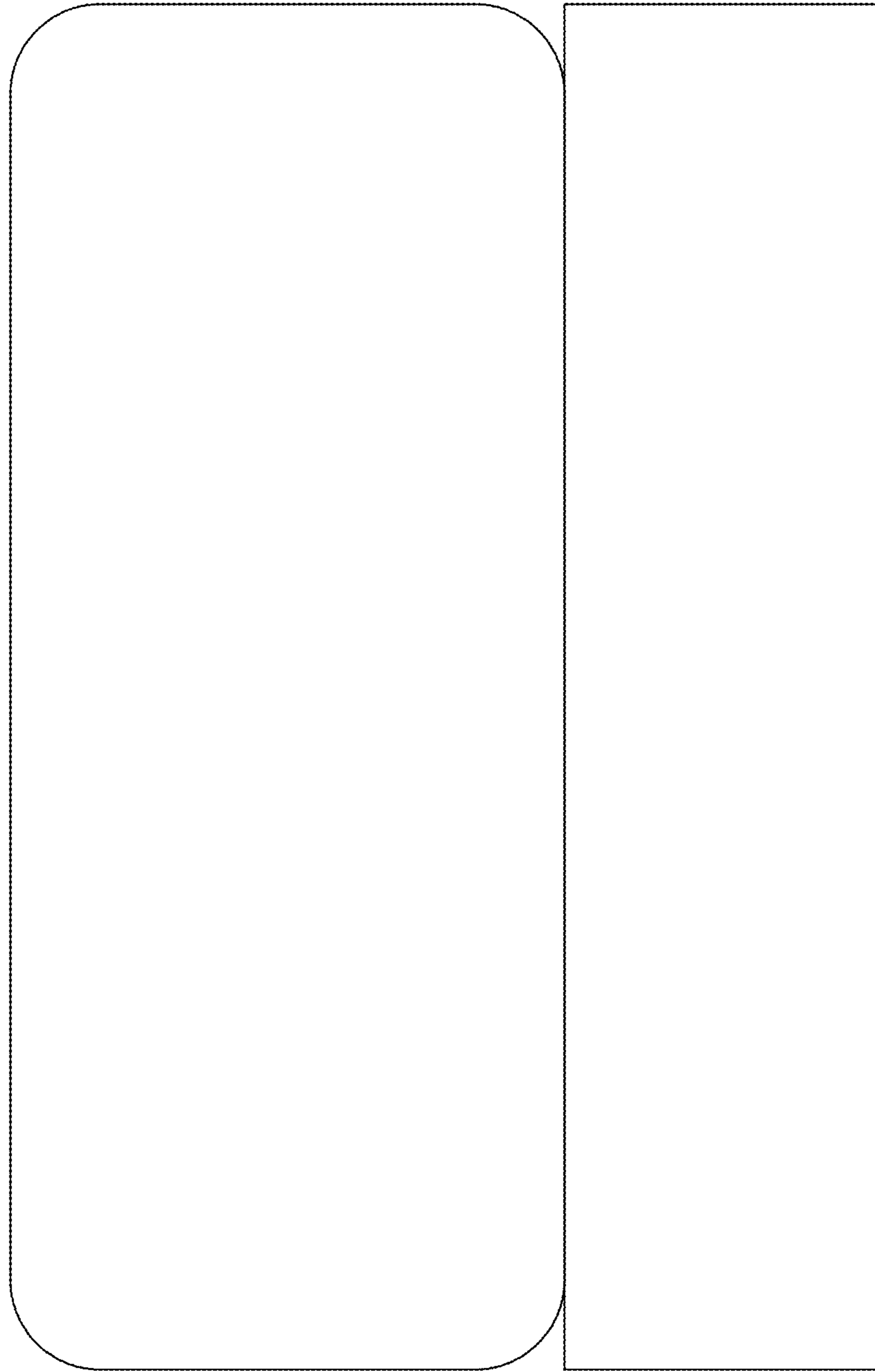


FIG. 6

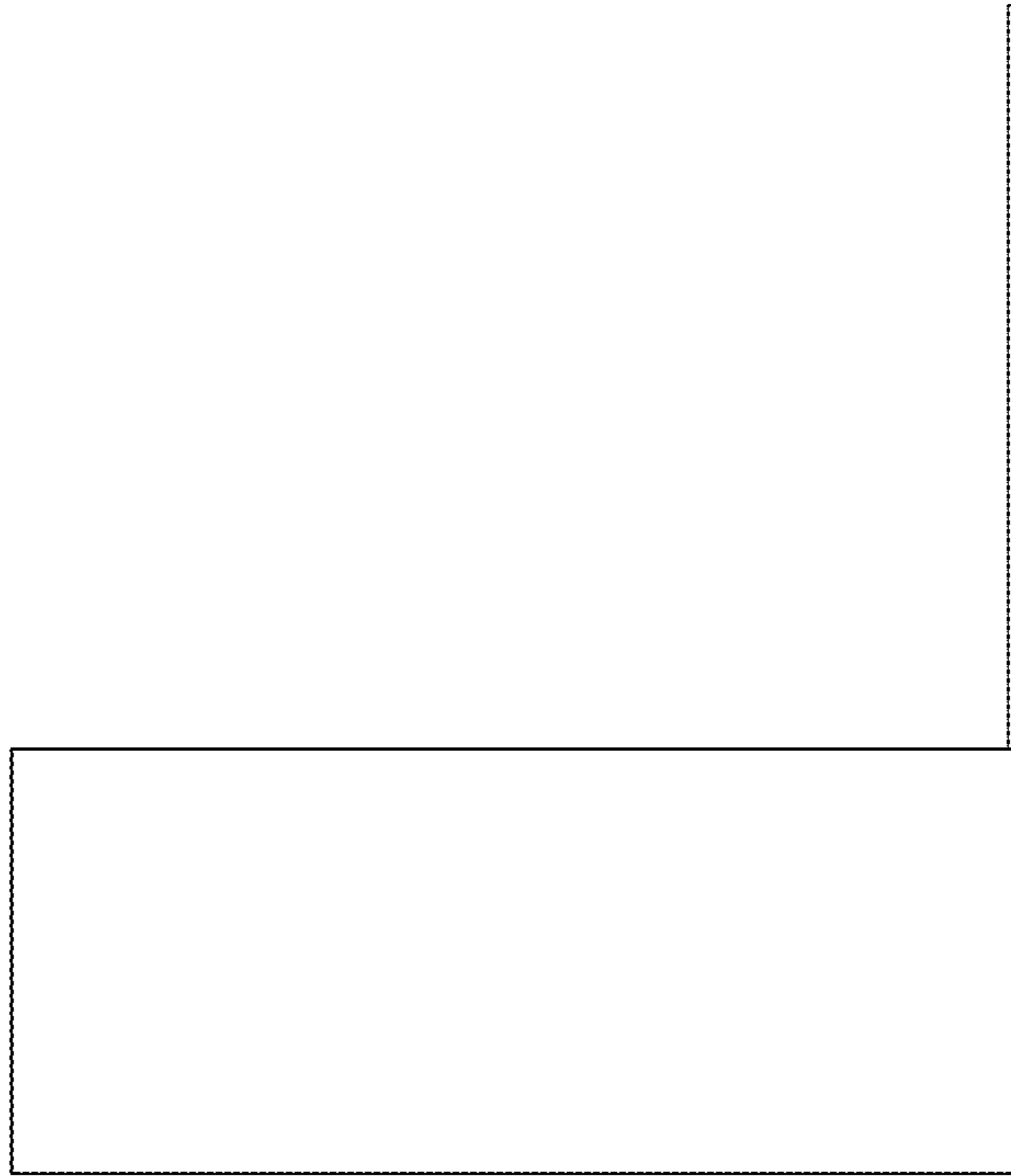


FIG. 7

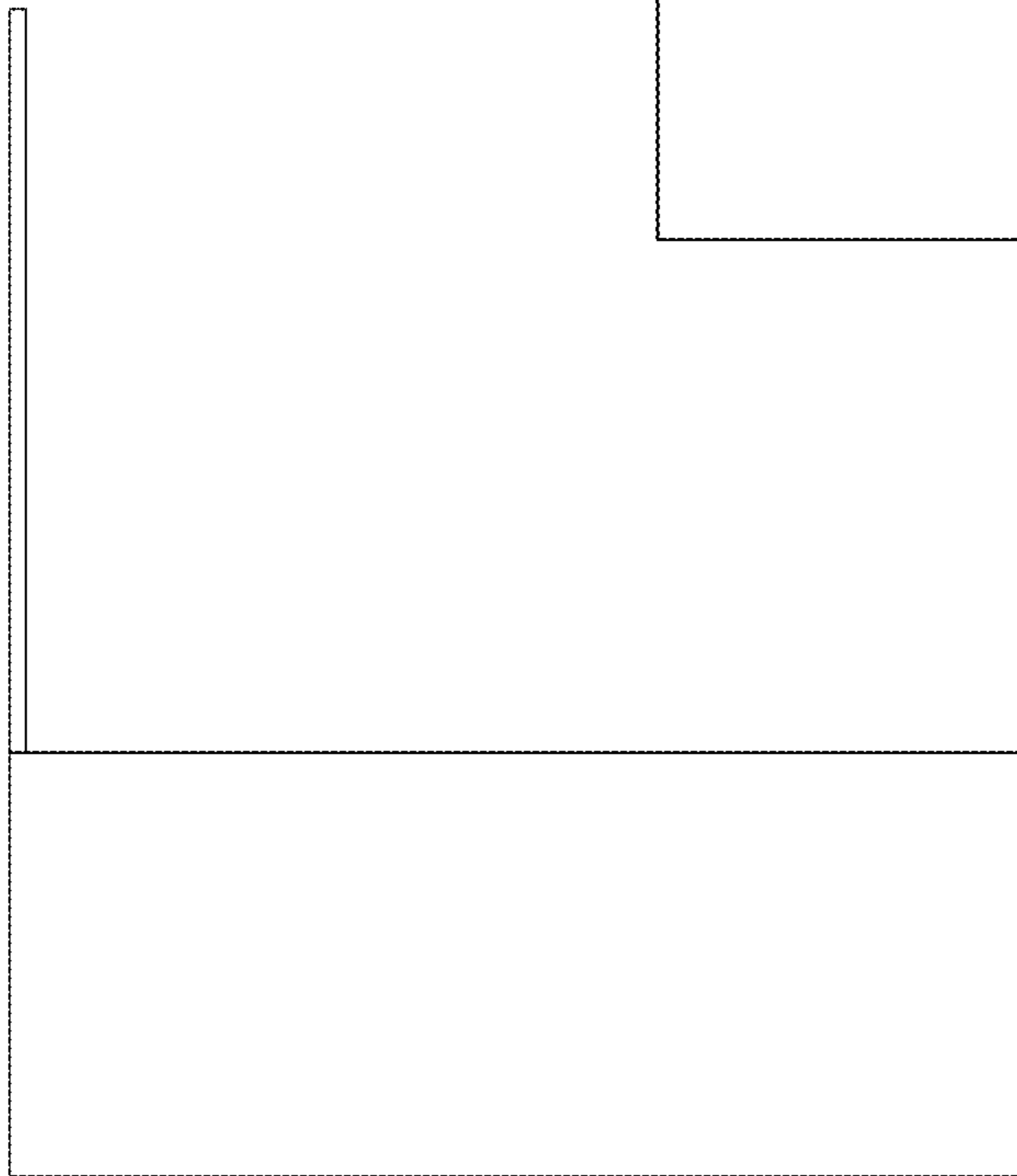


FIG. 8