



US00D704071S

(12) **United States Design Patent**  
**Nichols**

(10) **Patent No.:** **US D704,071 S**

(45) **Date of Patent:** **\*\* May 6, 2014**

(54) **FUNGAL NAIL TREATMENT PACK**

(56) **References Cited**

(71) Applicant: **International Cosmetic Suppliers Limited, Hong Kong (HK)**

U.S. PATENT DOCUMENTS

(72) Inventor: **Susanne Adele Nichols, Hong Kong (HK)**

2,010,521	A	*	8/1935	Kreisler	.....	220/259.2
D222,823	S	*	1/1972	Newman	.....	D9/687
D309,015	S	*	7/1990	Fechtner et al.	.....	D24/224
D380,553	S	*	7/1997	Riekkinen	.....	D24/224
D400,788	S	*	11/1998	Lin	.....	D9/718
D591,167	S	*	4/2009	Kyster et al.	.....	D9/719
D610,699	S	*	2/2010	Laudo et al.	.....	D24/216

(73) Assignee: **International Cosmetic Suppliers Limited, Hong Kong (HK)**

\* cited by examiner

(\*\*) Term: **14 Years**

*Primary Examiner* — Derrick Holland

*Assistant Examiner* — Lauren Calve

(21) Appl. No.: **29/440,809**

(74) *Attorney, Agent, or Firm* — Bacon & Thomas, PLLC

(22) Filed: **Dec. 27, 2012**

(57) **CLAIM**

The ornamental design for a fungal nail treatment pack, as shown.

(51) **LOC (10) Cl.** ..... **09-01**

**DESCRIPTION**

(52) **U.S. Cl.**

USPC ..... **D9/719**

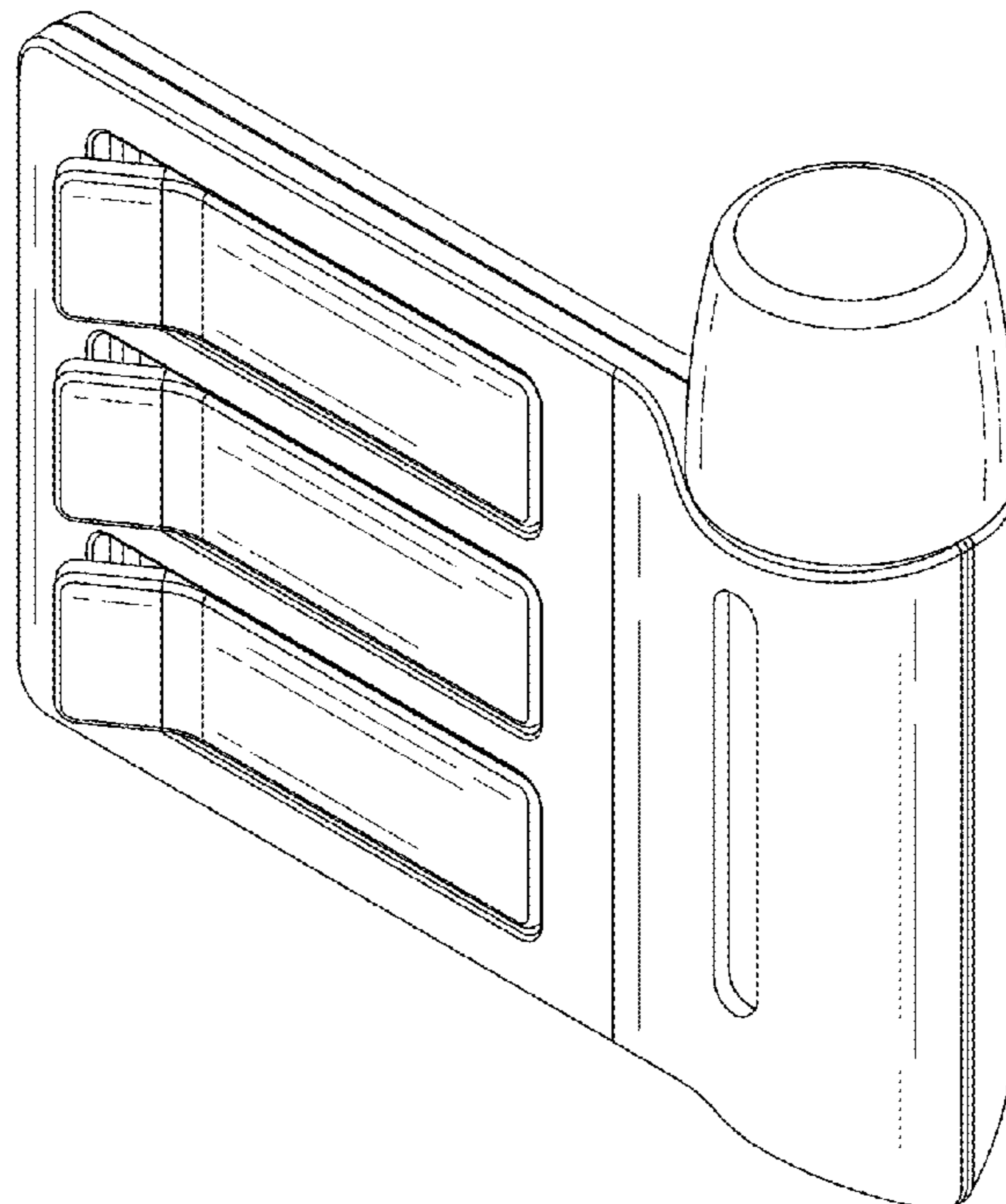
(58) **Field of Classification Search**

USPC ..... D9/414, 417, 418, 424, 436, 440, 715,  
D9/719, 723, 727, 728, 730; D24/108,  
D24/121, 188, 216, 224; 206/37, 210, 216,  
206/461-471, 581, 736, 738, 756, 769,  
206/828; 222/547, 544, 562

FIG. 1 is a perspective view of a fungal nail treatment pack showing my new design;  
FIG. 2 is a front elevational view thereof;  
FIG. 3 is a rear elevational view thereof;  
FIG. 4 is a left side elevational view thereof;  
FIG. 5 is a right side elevational view thereof;  
FIG. 6 is a top plan view thereof; and,  
FIG. 7 is a bottom plan view thereof.

See application file for complete search history.

**1 Claim, 6 Drawing Sheets**



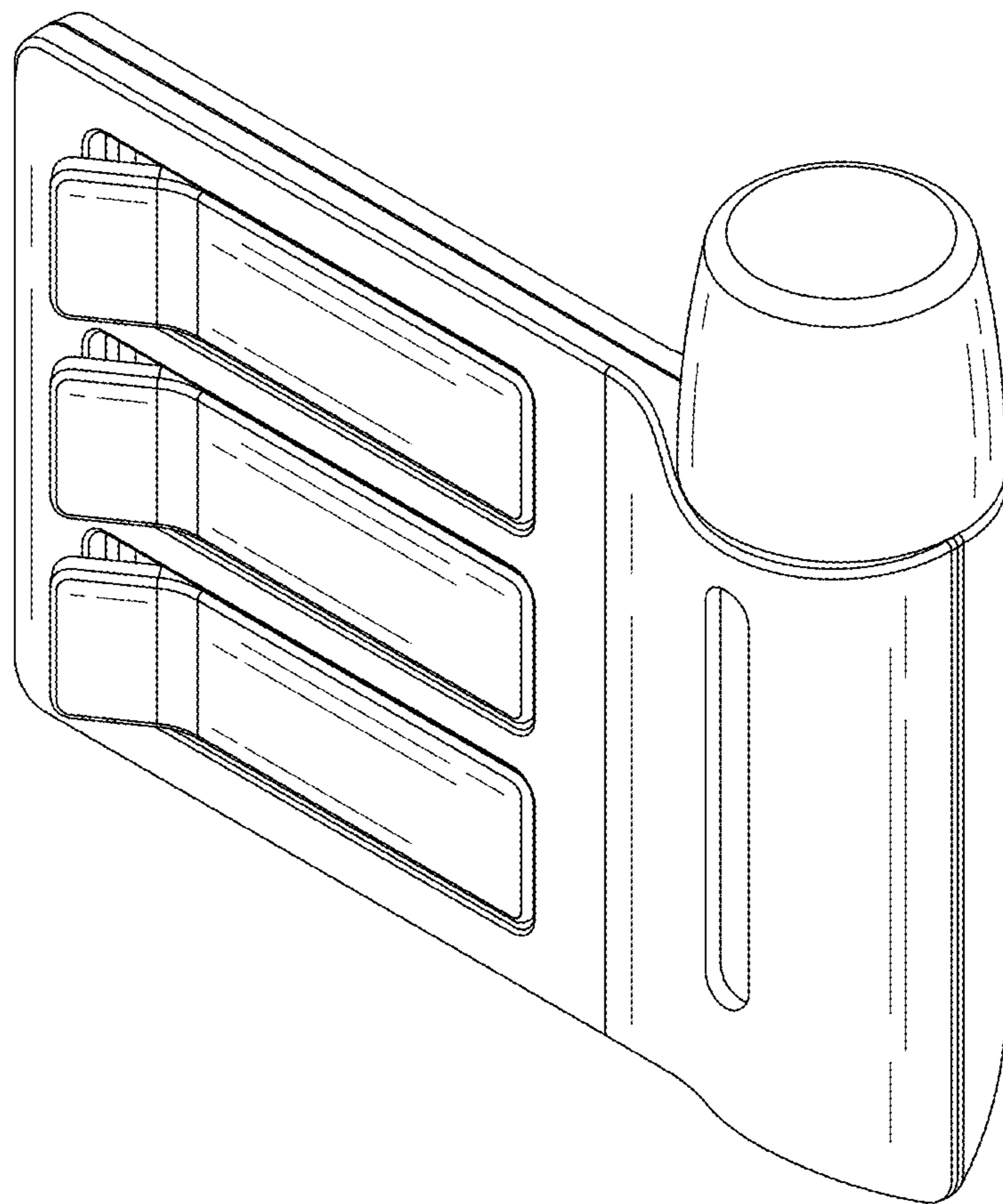


FIG. 1

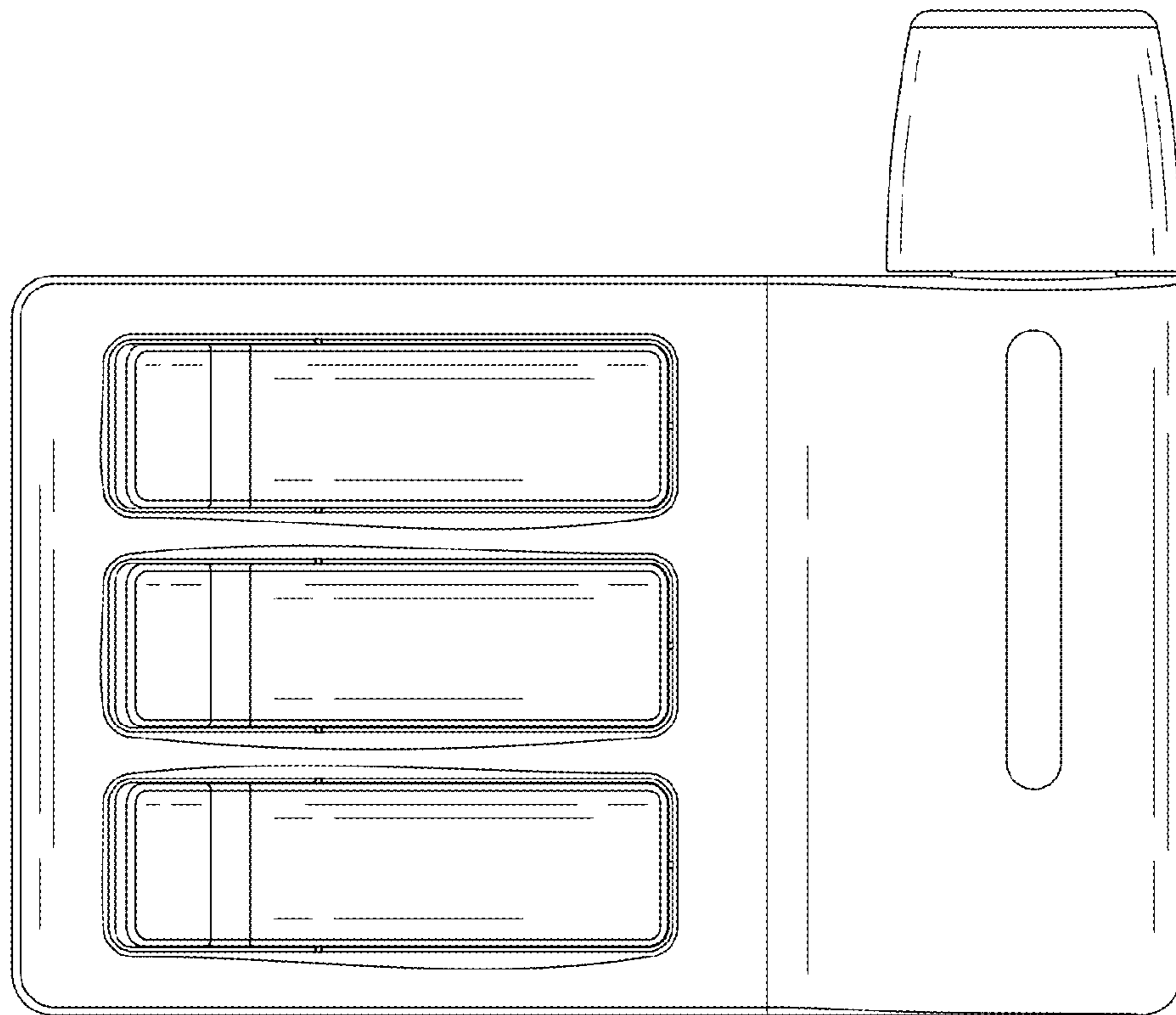


FIG. 2

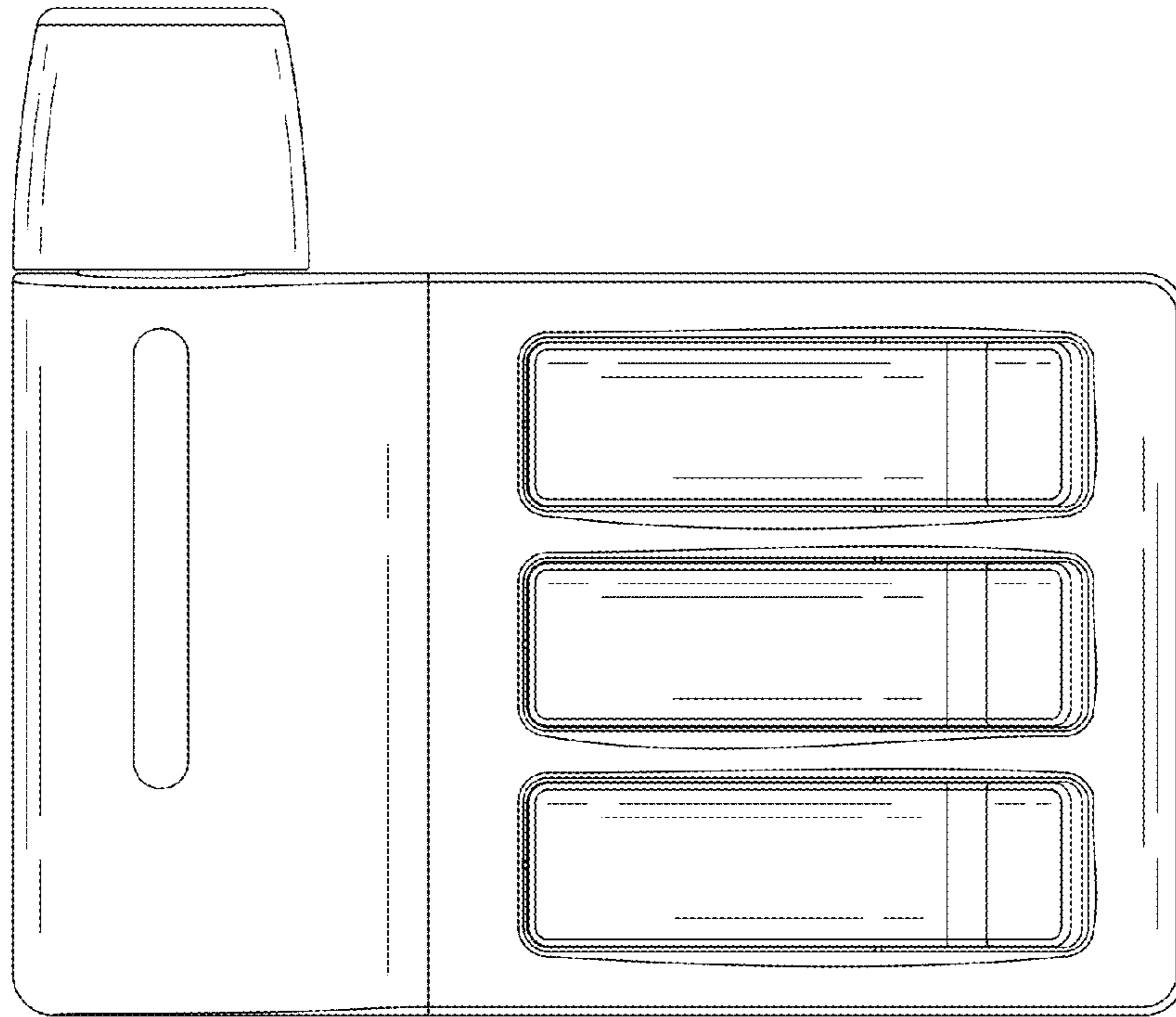


FIG. 3

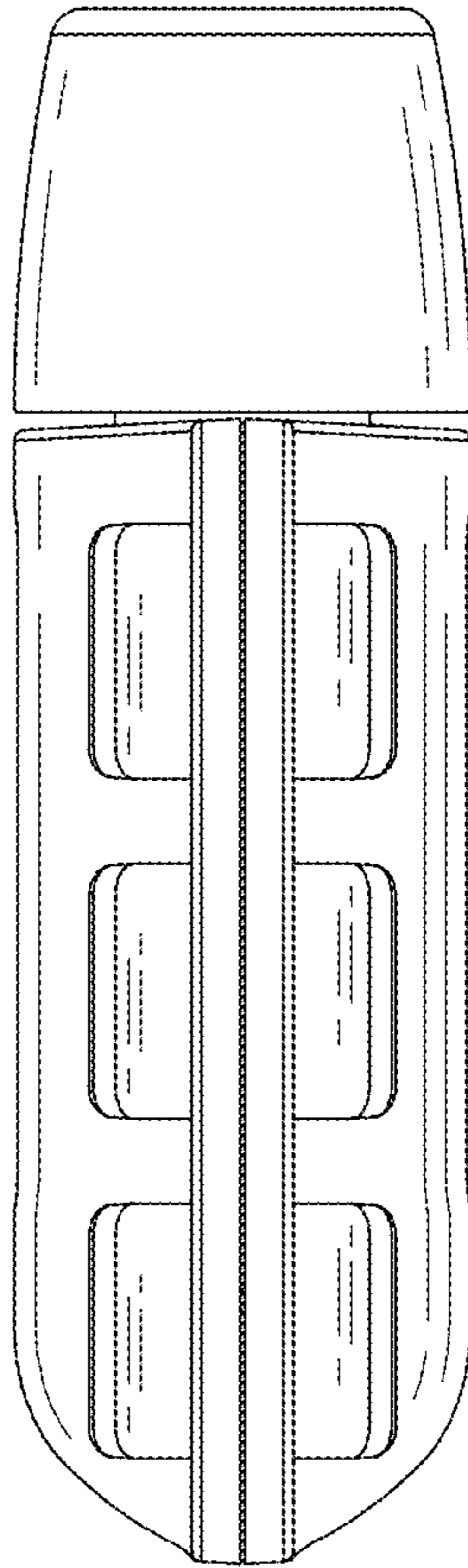


FIG. 4

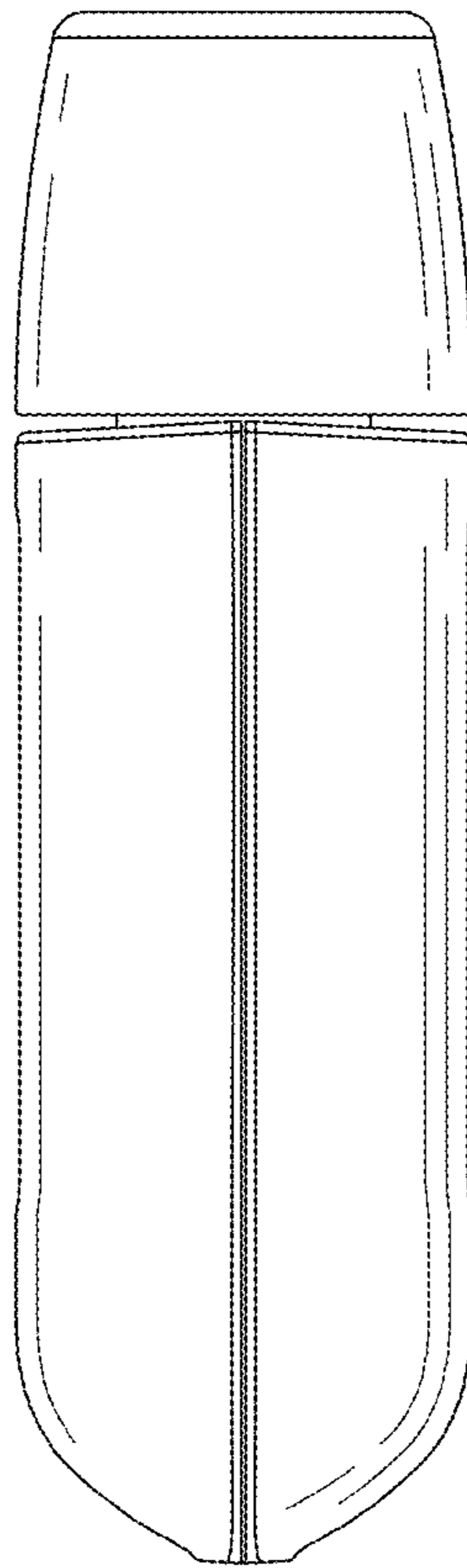


FIG. 5

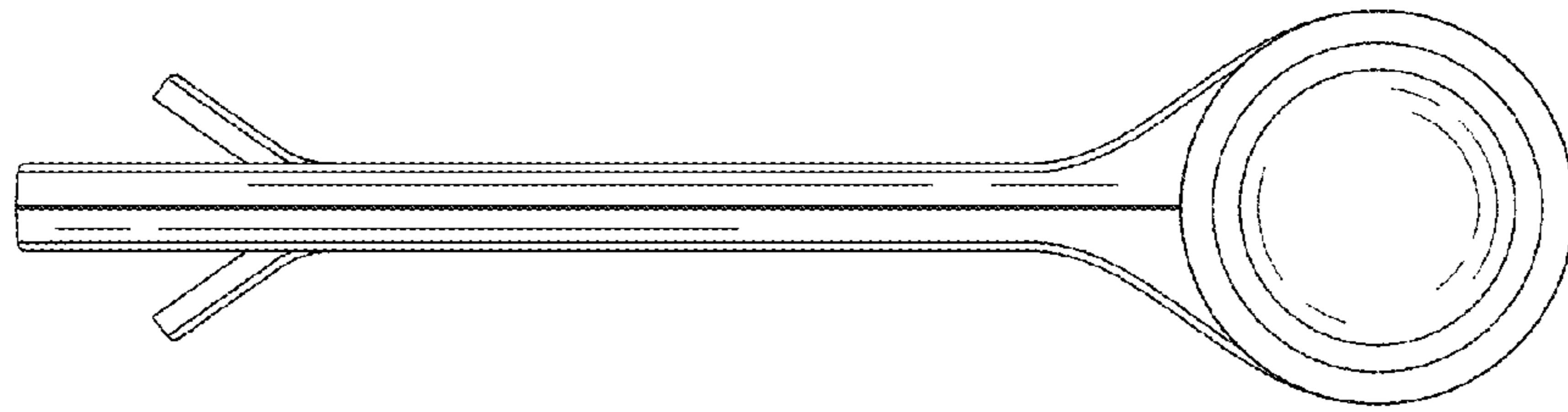


FIG. 6

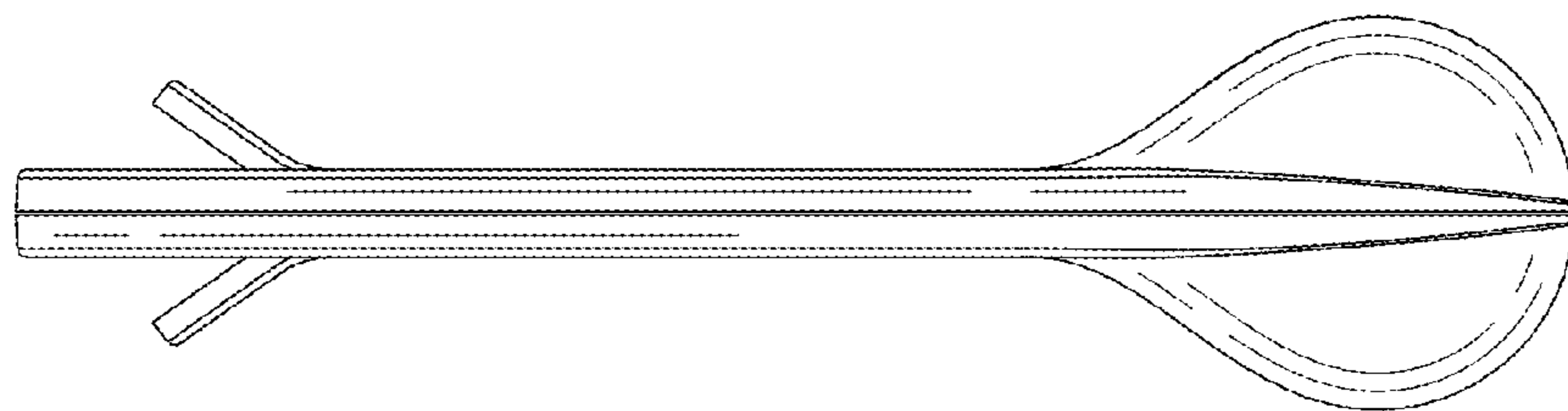


FIG. 7