



US00D704064S

(12) **United States Design Patent**
Lonsway et al.

(10) **Patent No.:** **US D704,064 S**

(45) **Date of Patent:** **** May 6, 2014**

(54) **CONTAINER NECK**

(75) Inventors: **Michael J. Lonsway**, Toledo, OH (US);
Bruce A. Becker, Perrysburg, OH (US);
Vincent J. Bailey, Perrysburg, OH (US)

(73) Assignee: **Owens-Brockway Glass Container Inc.**, Perrysburg, OH (US)

(**) Term: **14 Years**

(21) Appl. No.: **29/415,329**

(22) Filed: **Mar. 9, 2012**

Related U.S. Application Data

(62) Division of application No. 29/334,771, filed on Apr. 1, 2009, now Pat. No. Des. 658,999.

(51) **LOC (10) Cl.** **09-01**

(52) **U.S. Cl.**
USPC **D9/516**

(58) **Field of Classification Search**

USPC D9/500, 502, 516, 537-540, 545-546,
D9/549, 552, 556-558, 574, 434; 215/40,
215/44, 379, 382; 220/602, 609, 660, 662,
220/669

See application file for complete search history.

(56) **References Cited**

U.S. PATENT DOCUMENTS

D35,165 S * 10/1901 Williams D9/544
D36,781 S 2/1904 Blower
D155,868 S 12/1948 Braun
3,405,831 A 10/1968 Hudson
3,468,648 A 9/1969 Nowak
3,792,988 A 2/1974 Nowak et al.
3,956,441 A 5/1976 Uhlig
4,105,428 A 8/1978 Adams

4,170,622 A 10/1979 Uhlig
D335,455 S 5/1993 Brown
D335,456 S 5/1993 Brown
D343,580 S 1/1994 Reynaud

(Continued)

FOREIGN PATENT DOCUMENTS

DE 24 59 469 A1 11/1975
EP 0027780 4/1981

(Continued)

OTHER PUBLICATIONS

“Whats New in Glass Might Surprise You” Food and Drug Packag-
ing, Oct. 2006 p. 68-70.

Primary Examiner — Wan Laymon

(57) **CLAIM**

We claim the ornamental design for a container neck, as shown and described.

DESCRIPTION

FIG. 1 is a perspective view of a container neck showing our new design, with a container body and a container neck finish being shown in broken lines for environment only and forming no part of the claim.

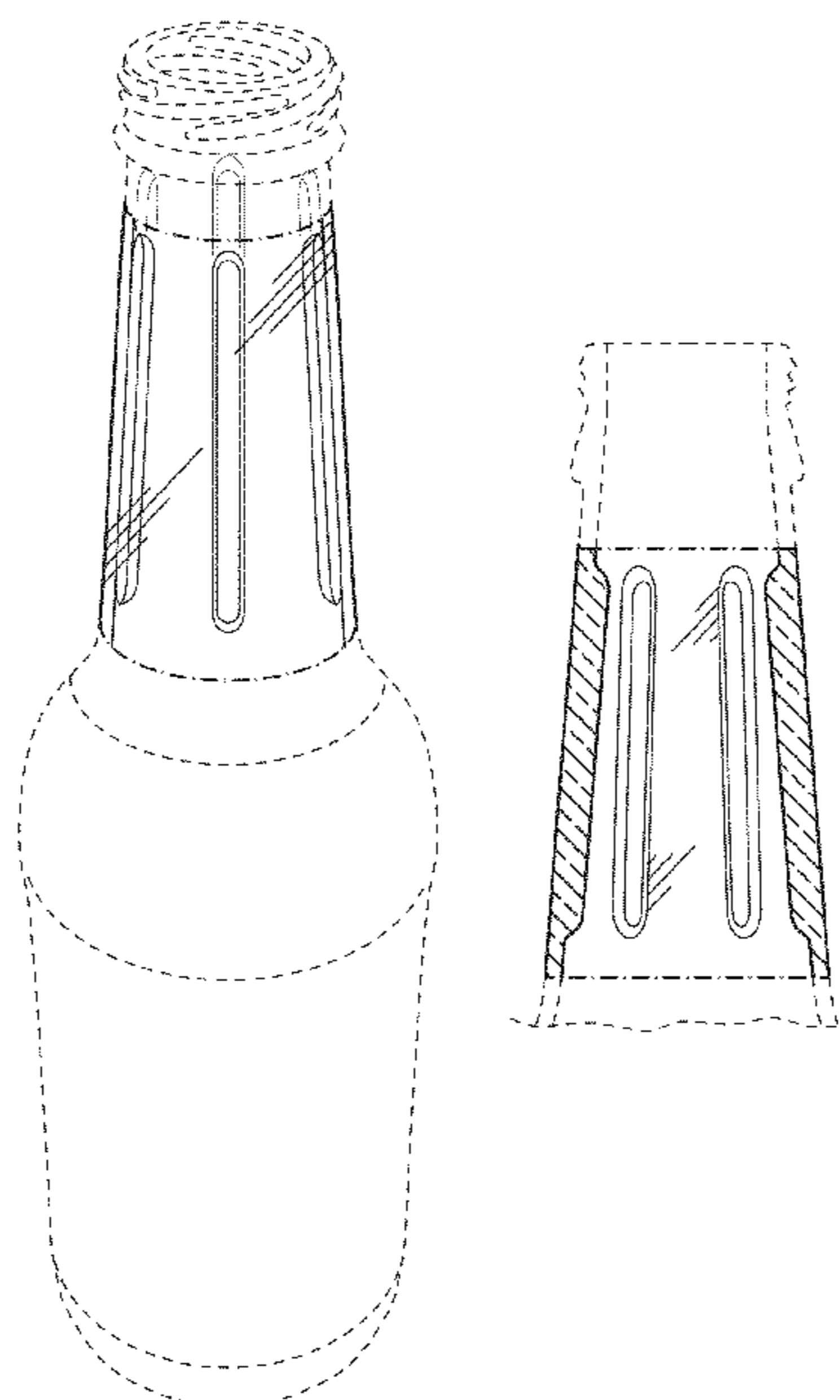
FIG. 2 is a front elevational view of the container neck in FIG. 1, the rear elevational view being identical to FIG. 2.

FIG. 3 is a side elevational view from the right in FIG. 2, the opposing side elevational view being identical to FIG. 3.

FIG. 4 is a sectional view taken along the line 4-4 in FIG. 2; and,

FIG. 5 is a sectional view taken along the line 5-5 in FIG. 2. The dashed-dot-dashed lines define the boundary lines of the claimed design. The broken lines shown in the figures are included for the purpose of illustrating environmental elements only and form no part of the claimed design.

1 Claim, 1 Drawing Sheet



(56)

References Cited

U.S. PATENT DOCUMENTS

D387,668	S	12/1997	Bond	
D391,494	S	3/1998	Bond	
D406,065	S	2/1999	Cheng	
6,123,211	A	9/2000	Rashid et al.	
D434,662	S	12/2000	Colonna	
6,726,044	B1	4/2004	Deubel et al.	
D512,316	S	12/2005	Illenberger et al.	
D534,080	S *	12/2006	Mody et al.	D9/516
D566,562	S	4/2008	Snyder et al.	
D566,578	S	4/2008	Snyder et al.	
D568,157	S	5/2008	Snyder et al.	
D570,692	S	6/2008	Finn	
D570,701	S *	6/2008	Miller et al.	D9/552
D572,139	S *	7/2008	Trollope et al.	D9/516
D581,273	S	11/2008	Adamson et al.	
D599,667	S	9/2009	Gedmin	
D615,865	S	5/2010	Arnell et al.	
D658,999	S *	5/2012	Lonsway et al.	D9/516
8,333,287	B2 *	12/2012	Lonsway et al.	215/40
2001/0052508	A1	12/2001	Wagner	
2003/0057173	A1	3/2003	Wagner	
2003/0106873	A1	6/2003	Grillo	
2003/0132188	A1	7/2003	Beek et al.	

2003/0168372	A1	9/2003	Headen et al.	
2007/0051687	A1	3/2007	Olson	
2007/0080128	A1	4/2007	Laveault et al.	
2007/0125720	A1	6/2007	Stecca	
2008/0047922	A1	2/2008	Olson et al.	
2009/0084799	A1	4/2009	Mondon	
2010/0181278	A1	7/2010	Martin	
2010/0264107	A1	10/2010	Lonsway et al.	
2010/0270260	A1	10/2010	Jung	
2013/0047851	A1 *	2/2013	Lonsway et al.	215/40

FOREIGN PATENT DOCUMENTS

FR	1246 454	1/1960
FR	2795714	1/2001
FR	2881421 (A1)	8/2006
JP	360145918 A	8/1985
JP	2001-322161	11/2001
JP	2007-8536	1/2007
KR	20-0255577	12/2001
KR	10-0906227	7/2009
KR	10-0916631	9/2009
WO	WO 2005/120306	12/2005
WO	WO 2010/064749	6/2010

* cited by examiner

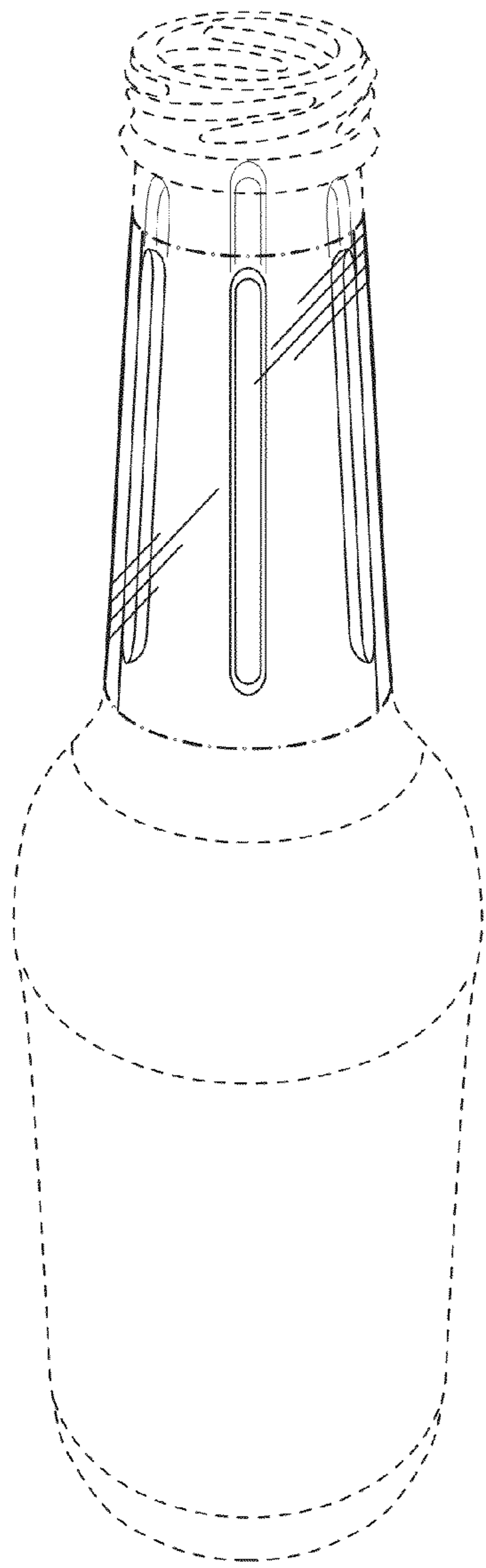


FIG. 1

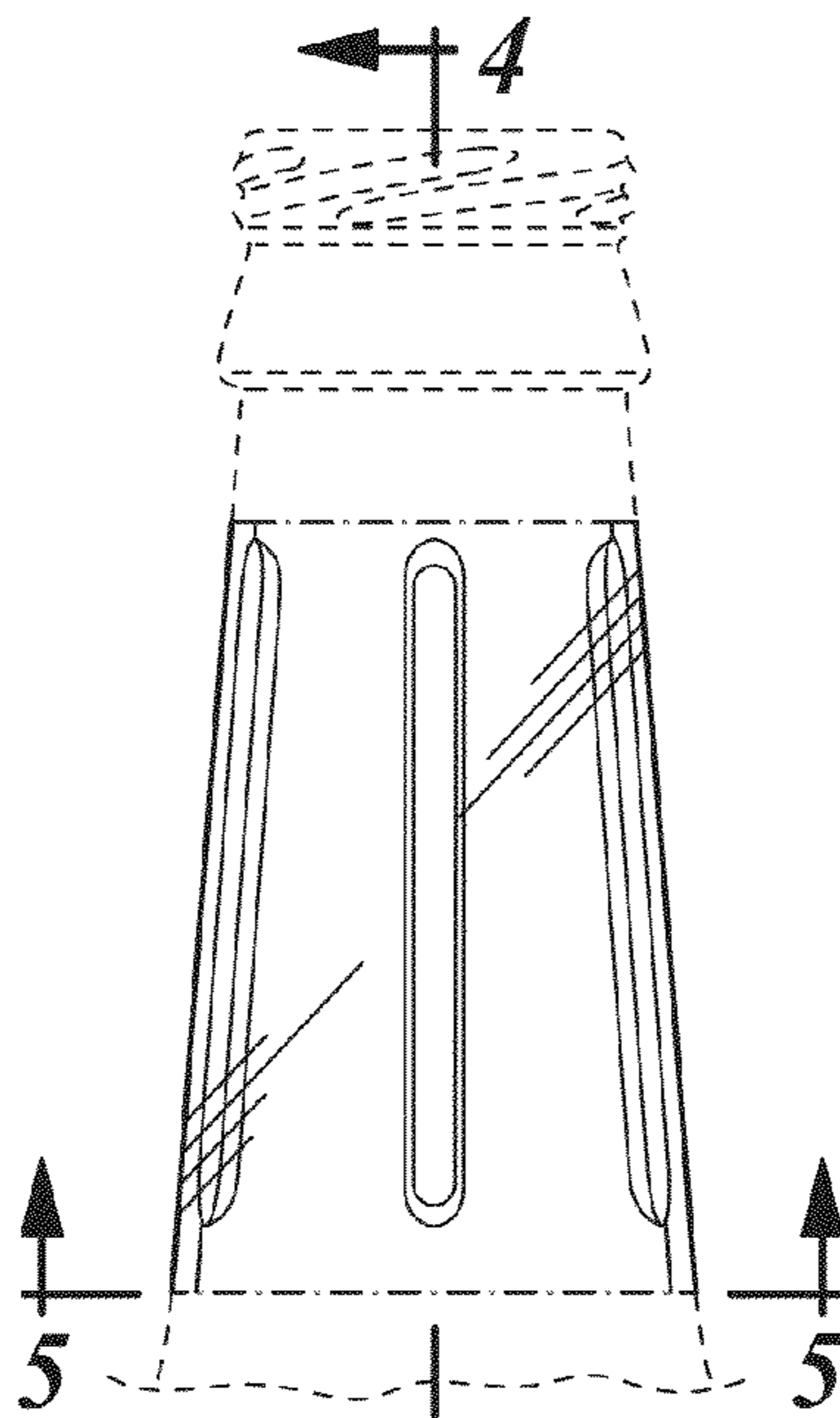


FIG. 2

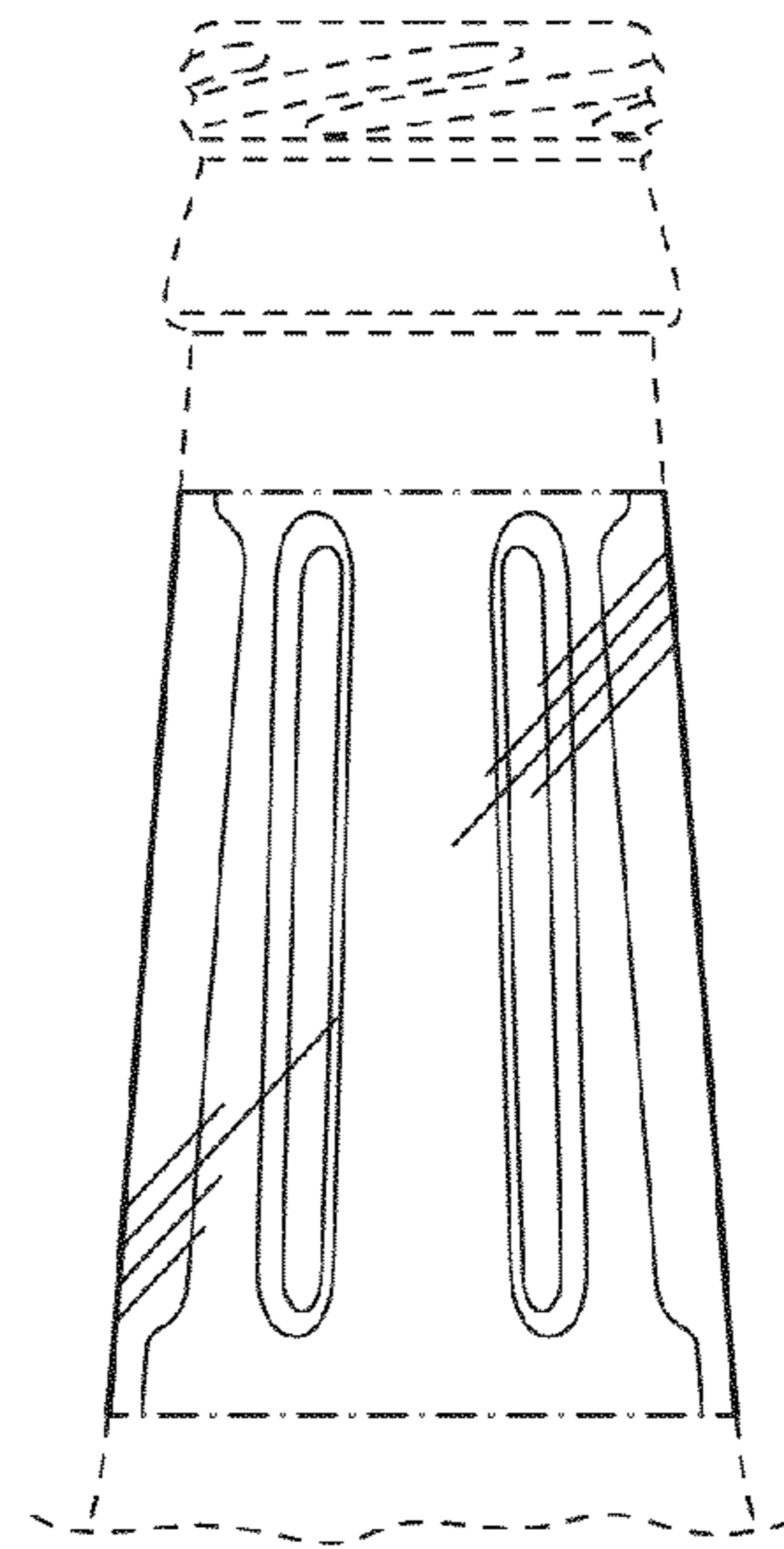


FIG. 3

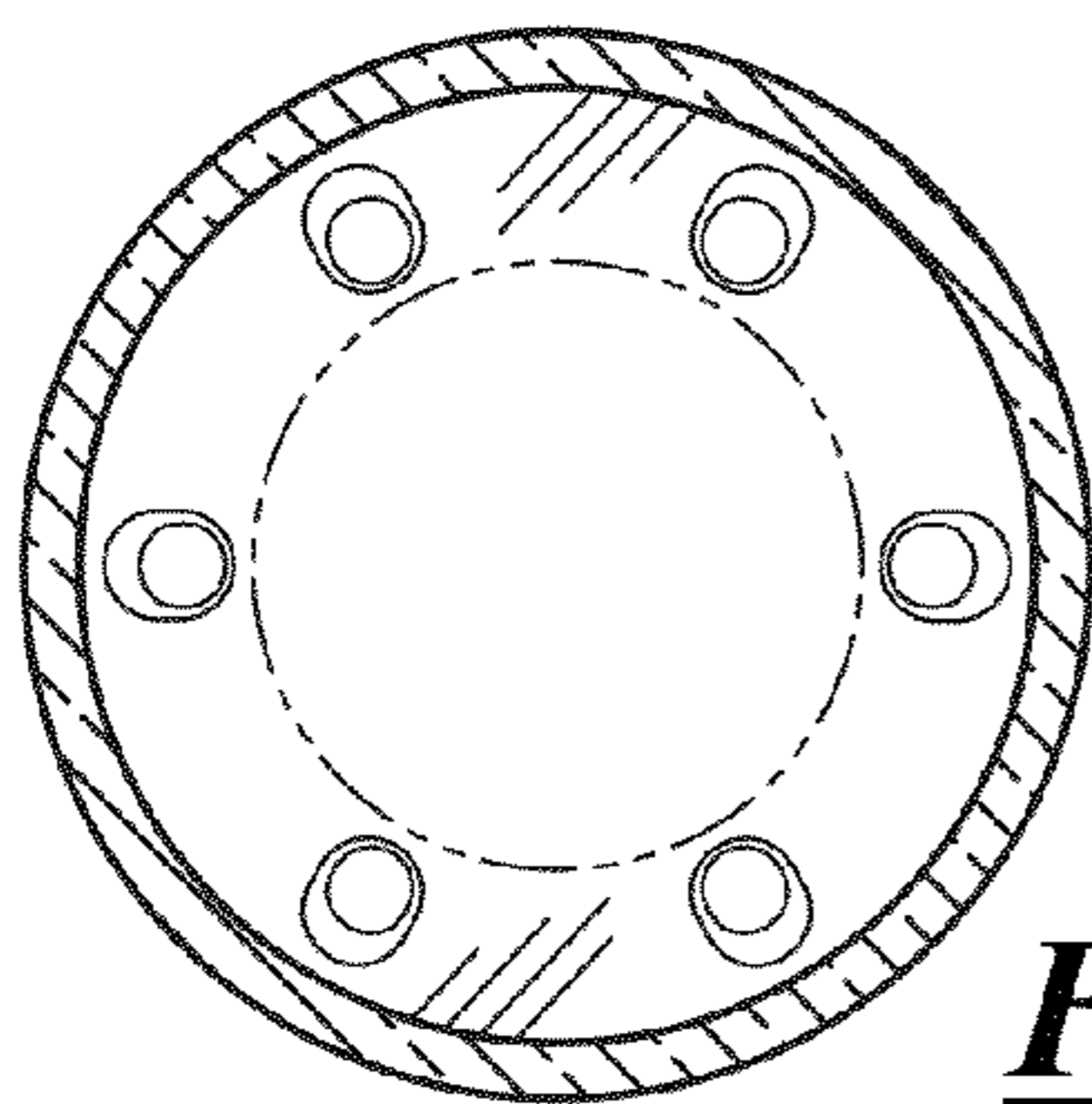


FIG. 5

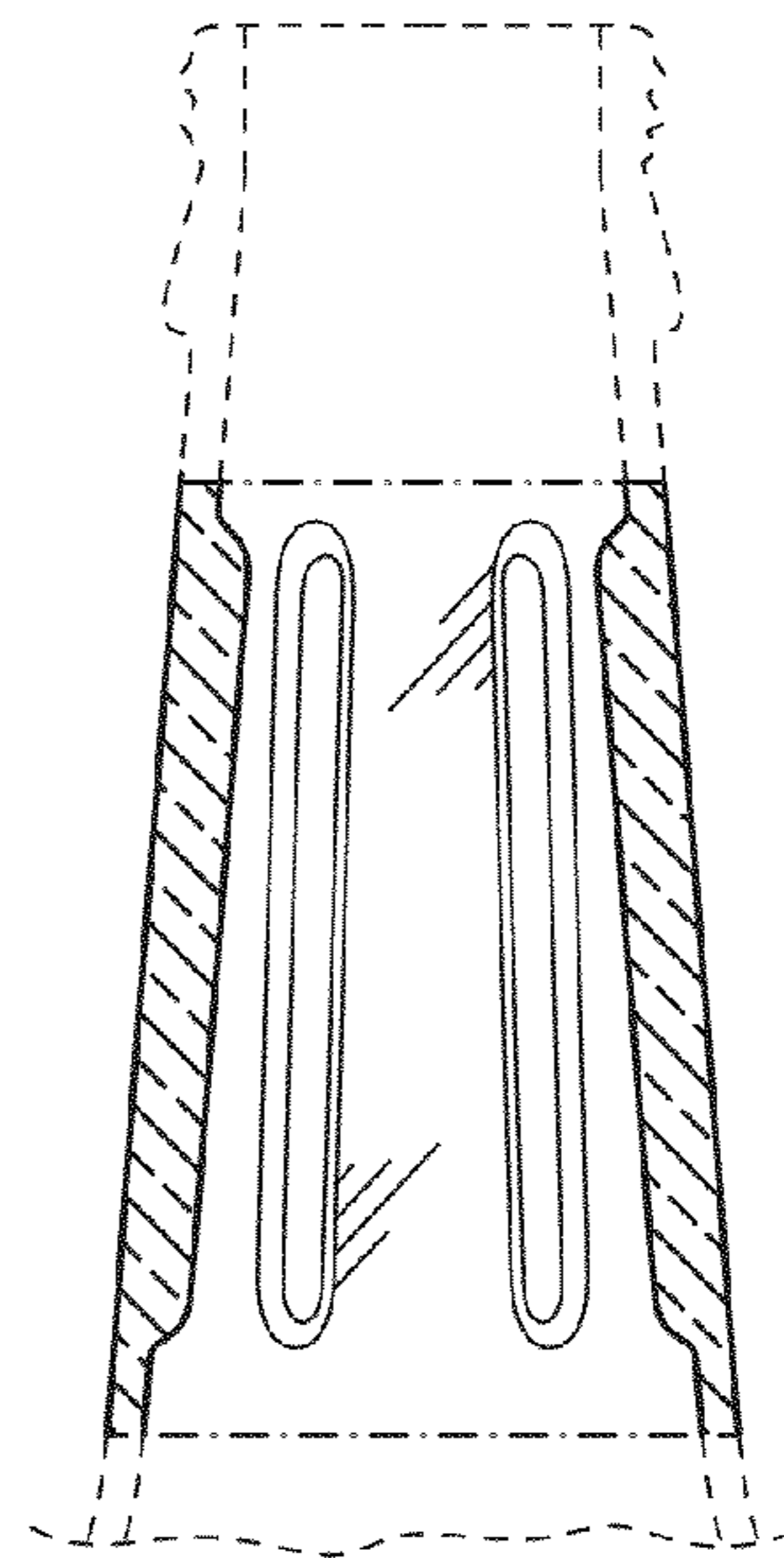


FIG. 4