



US00D704061S

(12) **United States Design Patent**
Yip

(10) **Patent No.:** **US D704,061 S**

(45) **Date of Patent:** **** May 6, 2014**

(54) **CUP CAKE BOTTLE**

(75) Inventor: **Chi-yan Yip**, Kowloon (HK)

(73) Assignee: **Leadsy International Enterprise Limited**, Hong Kong (HK)

(**) Term: **14 Years**

(21) Appl. No.: **29/405,650**

(22) Filed: **Nov. 3, 2011**

(51) **LOC (10) Cl.** **09-01**

(52) **U.S. Cl.**
USPC **D9/503**; D9/643

(58) **Field of Classification Search**
USPC D9/503, 500, 504-505, 516, 544-546,
D9/529, 537, 538, 552, 557, 559, 570,
D9/434-435, 439, 600, 643, 686, 690, 692,
D9/739, 738, 741, 751; D1/101, 129;
D7/610, 628-629; 215/379, 382;
220/660, 669

See application file for complete search history.

(56) **References Cited**

U.S. PATENT DOCUMENTS

D70,792 S *	8/1926	Guerin	D9/505
D154,988 S *	8/1949	Carter	D9/504
D206,628 S *	1/1967	Anderson	D9/503
D354,914 S *	1/1995	Newman	D9/503
D412,276 S *	7/1999	Arslanian	D9/546

D521,872 S *	5/2006	Wu	D9/643
D594,285 S *	6/2009	Merey	D7/610
D633,654 S *	3/2011	Berkete	D9/643
D633,808 S *	3/2011	Titherington	D9/503

* cited by examiner

Primary Examiner — Wan Laymon

(74) *Attorney, Agent, or Firm* — Howard C. Miskin; Gloria Tsui-Yip

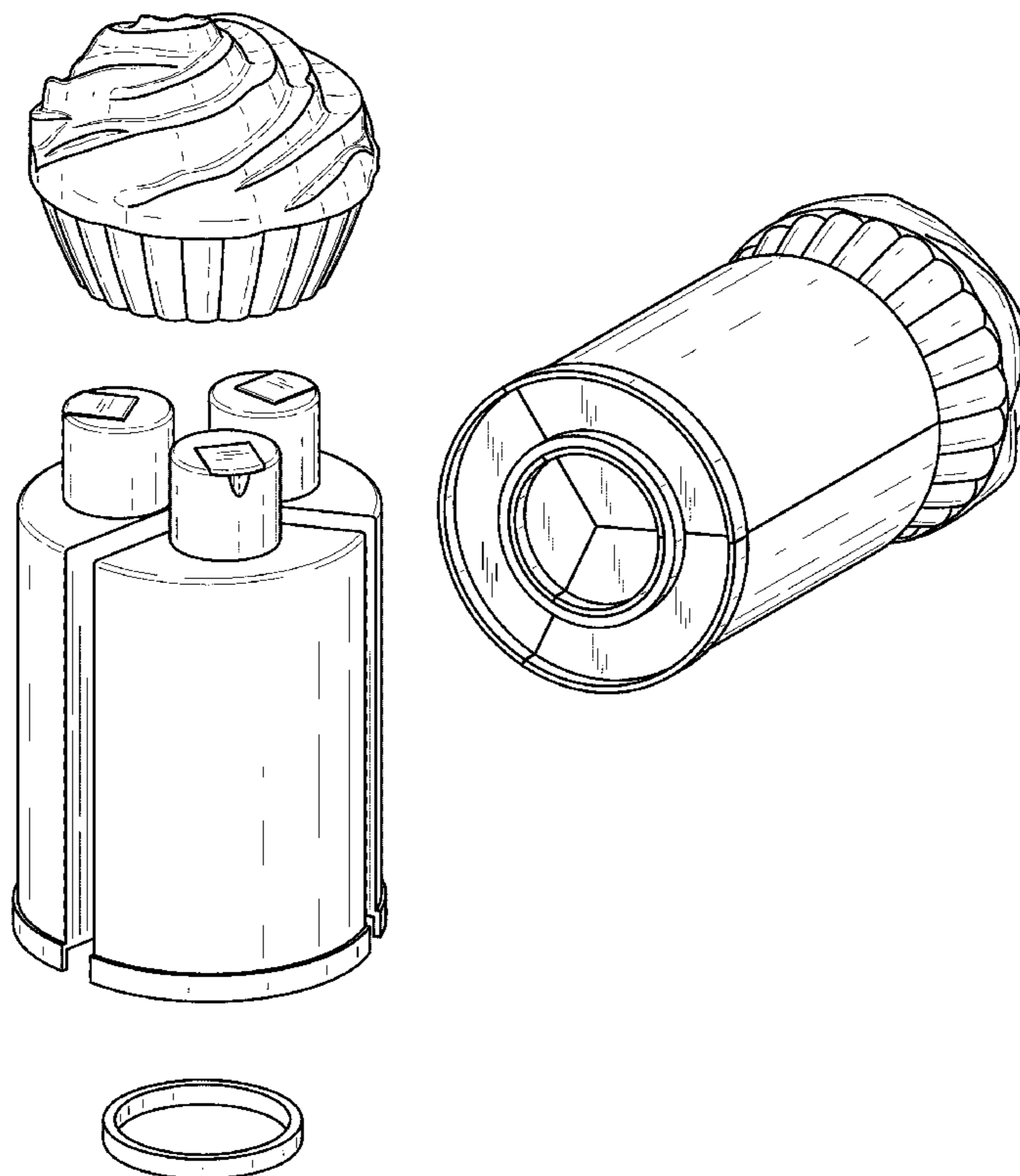
(57) **CLAIM**

I claim the ornamental design for an cup cake bottle, as shown and described.

DESCRIPTION

FIG. 1 is a front view of the cup cake bottle showing my new design;
FIG. 2 is a rear view thereof;
FIG. 3 is a side view thereof;
FIG. 4 is an opposite side view thereof;
FIG. 5 is a top view thereof;
FIG. 6 is a bottom view thereof;
FIG. 7 is a perspective view thereof;
FIG. 8 is a perspective view thereof in disassembled state;
FIG. 9A is a perspective view of a part thereof;
FIG. 9B is an opposite perspective view of FIG. 9A;
FIG. 10 is a rear perspective view thereof; and,
FIG. 11 is a rear perspective view thereof in disassembled state.

1 Claim, 5 Drawing Sheets



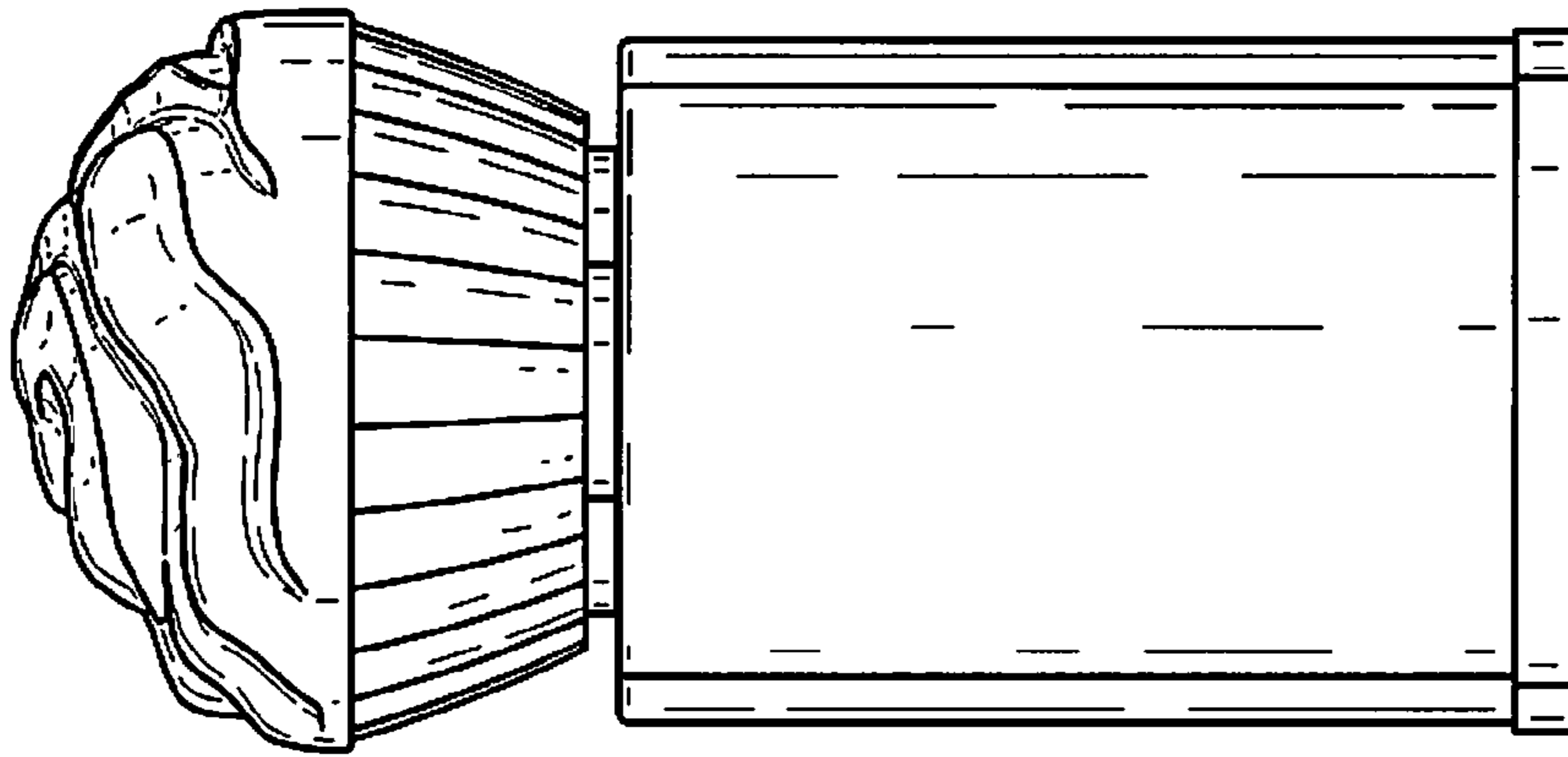


Fig.2

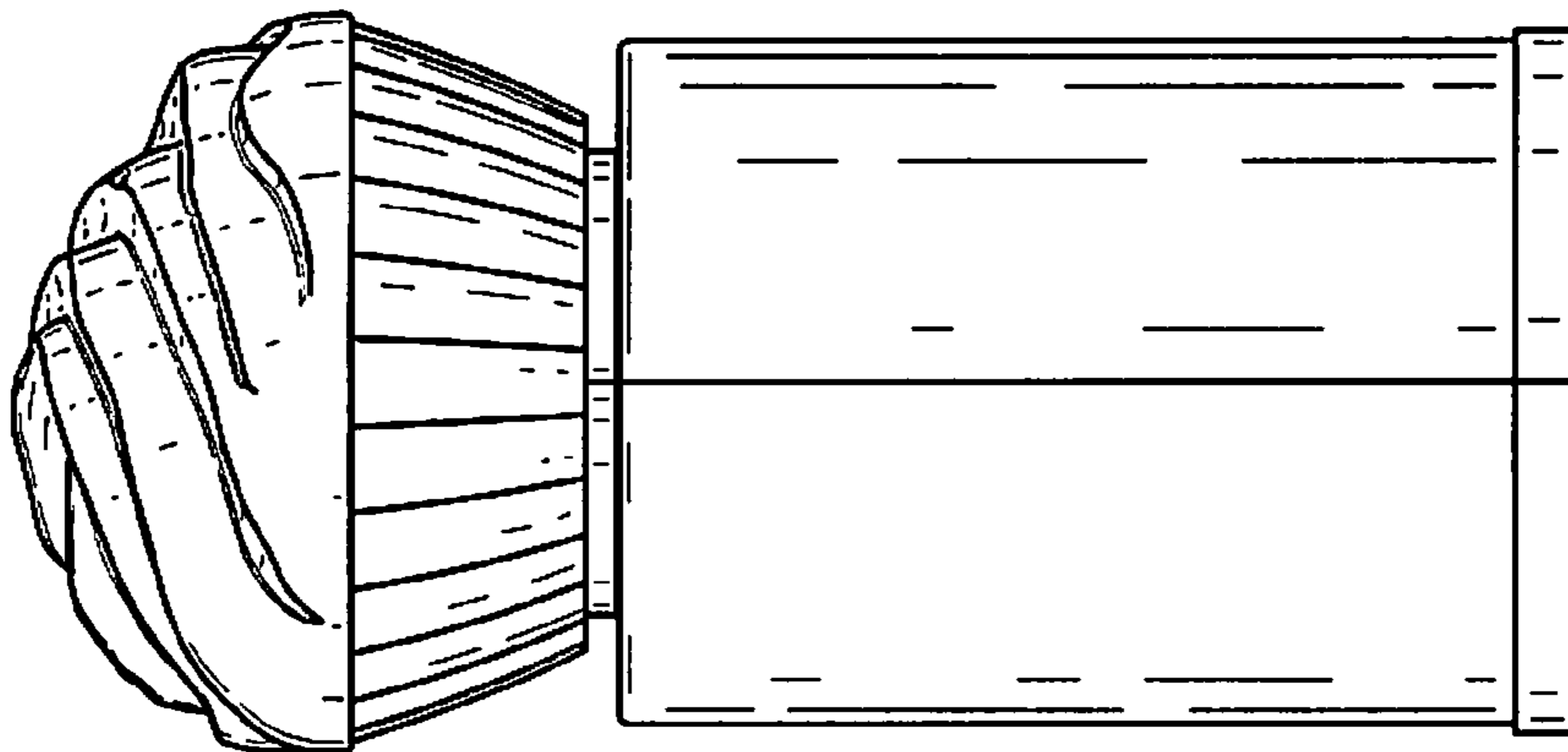


Fig.1

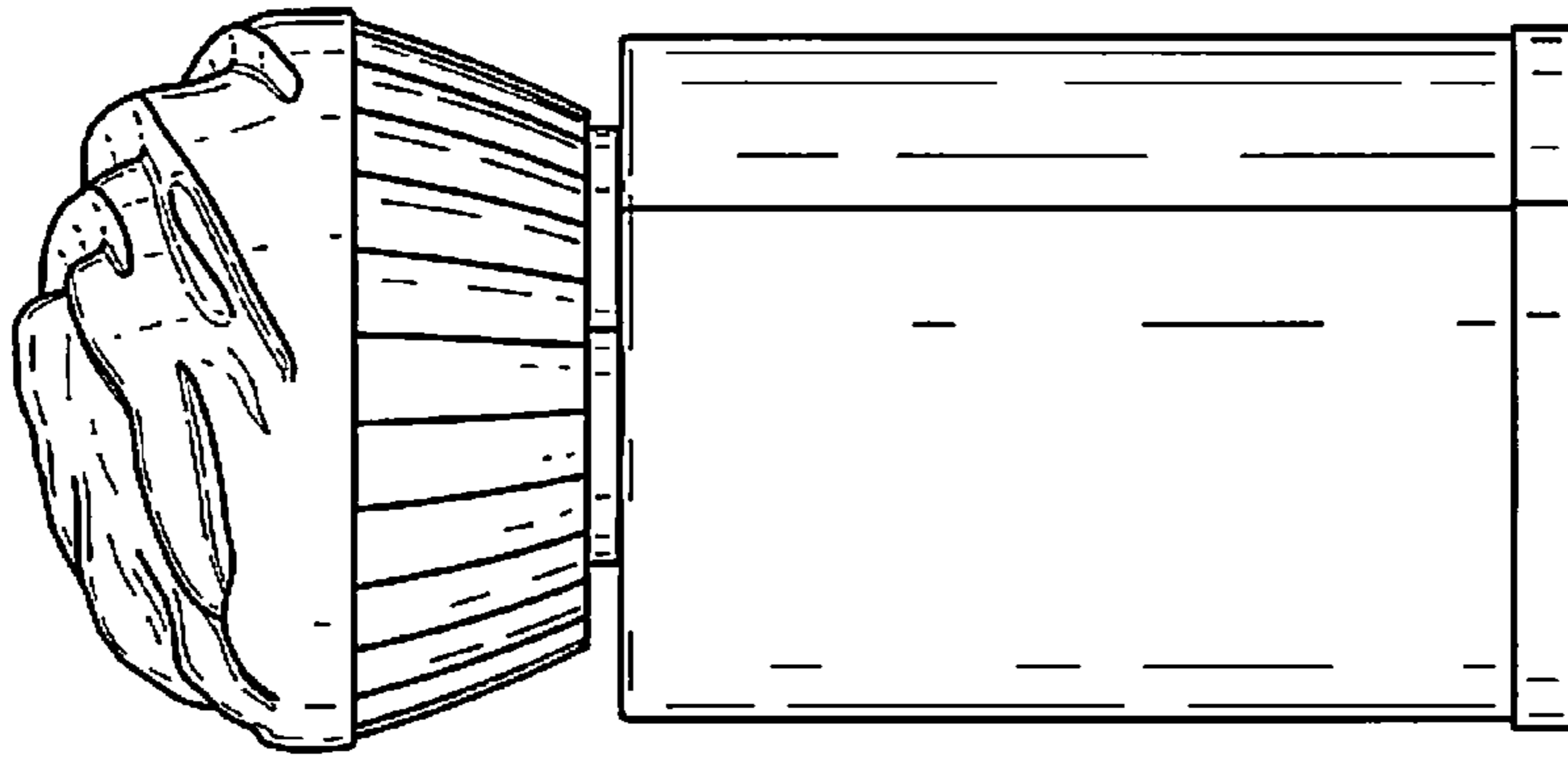


Fig.4

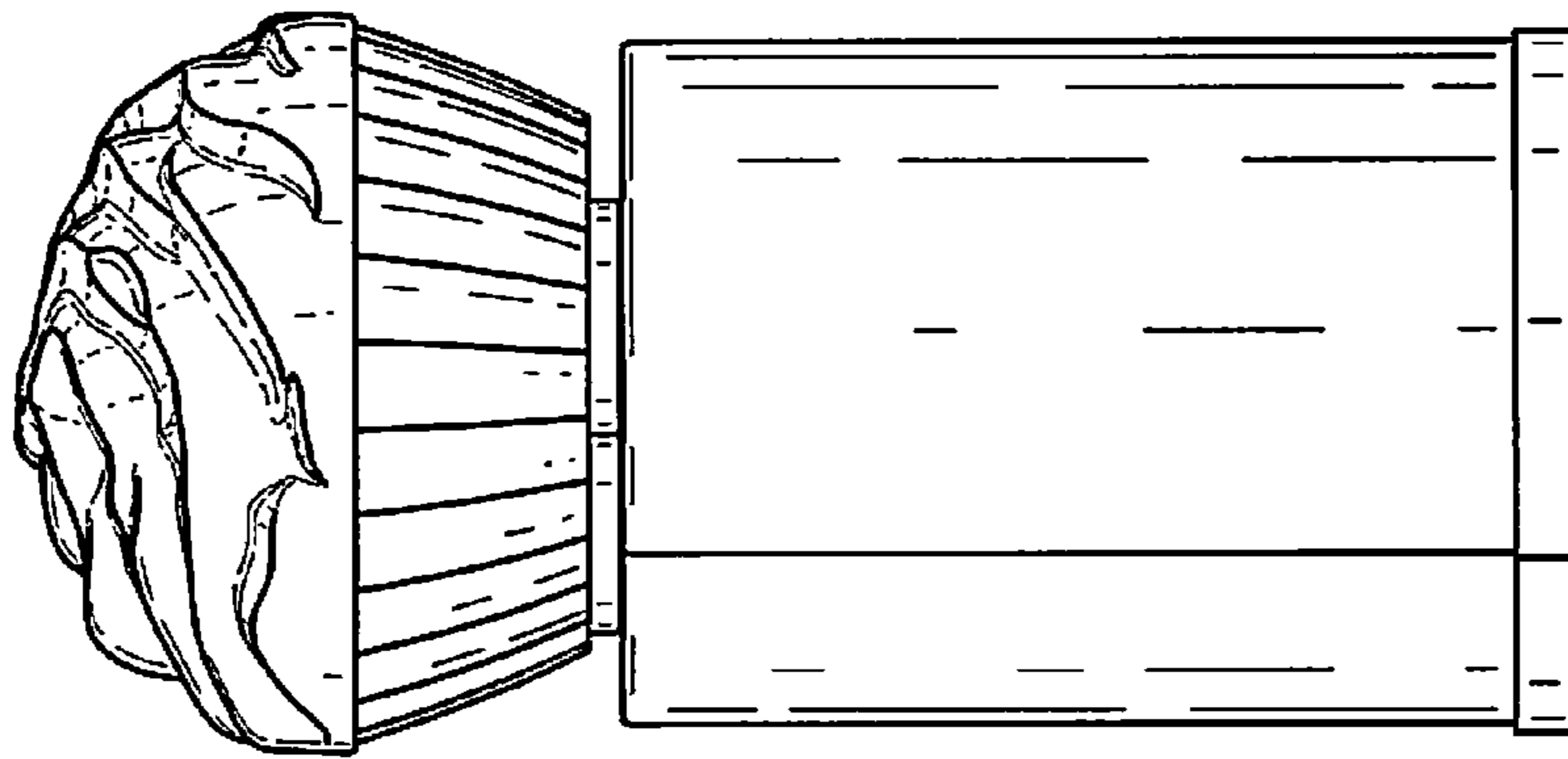


Fig.3

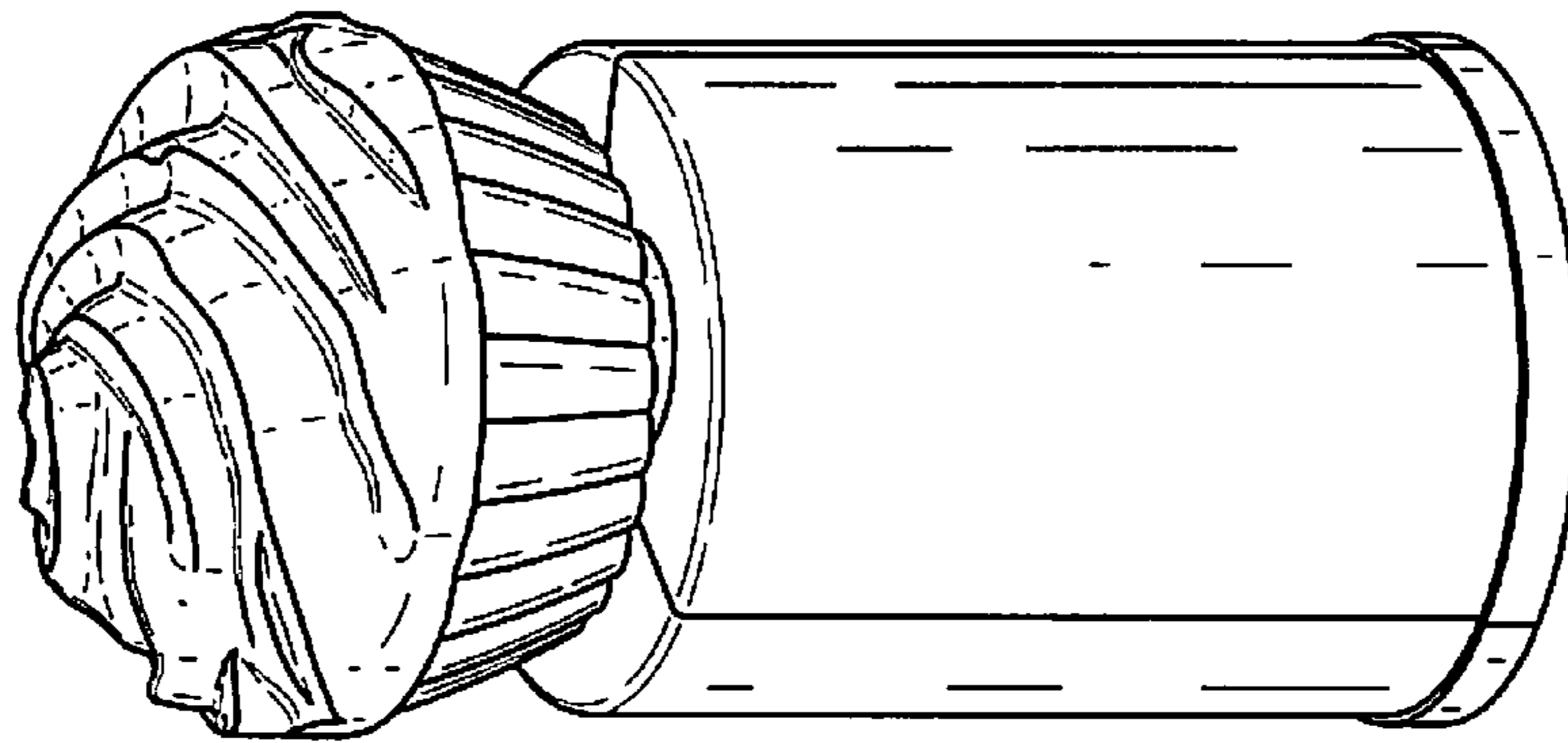


Fig.7



Fig.5

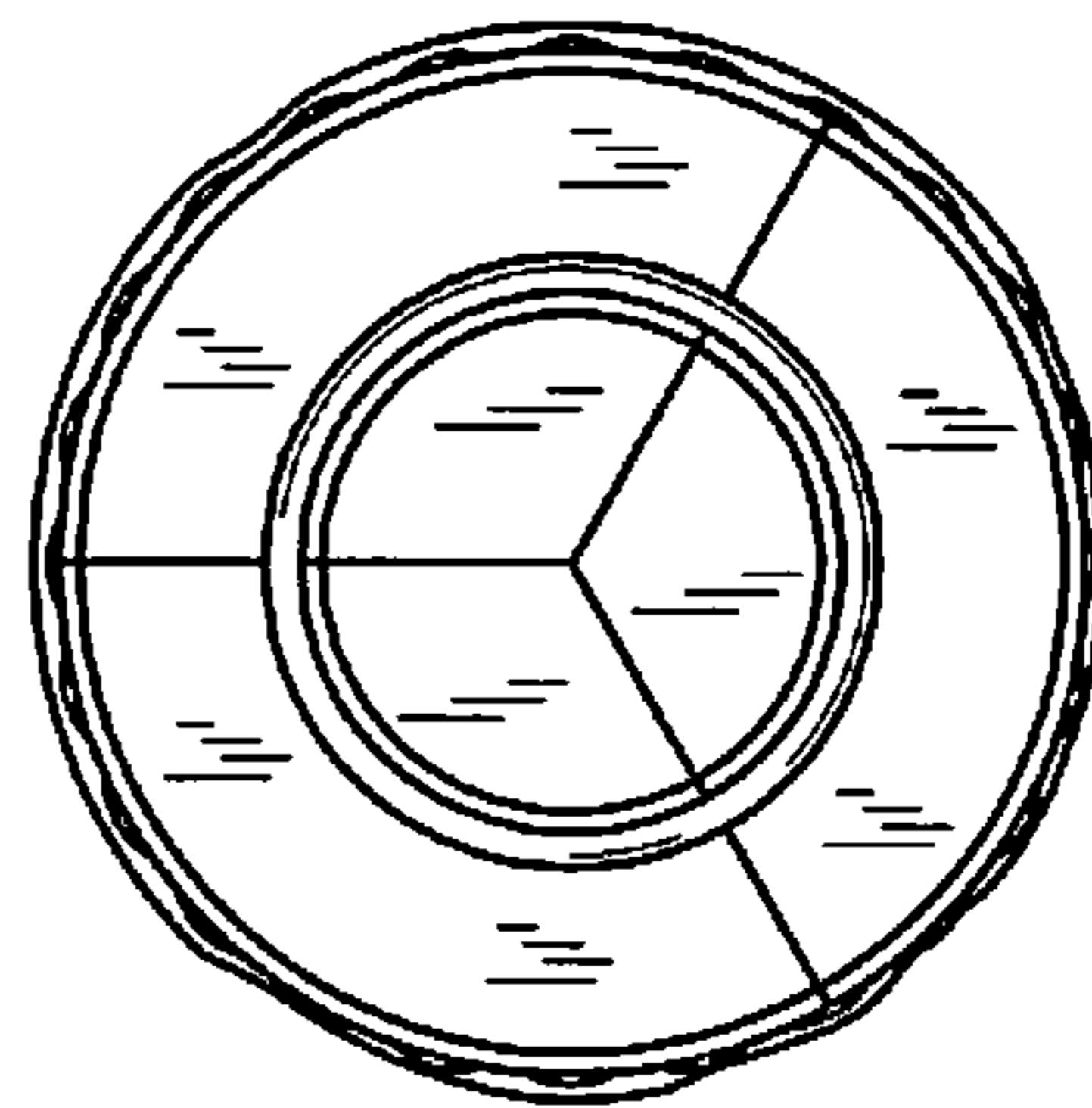


Fig.6

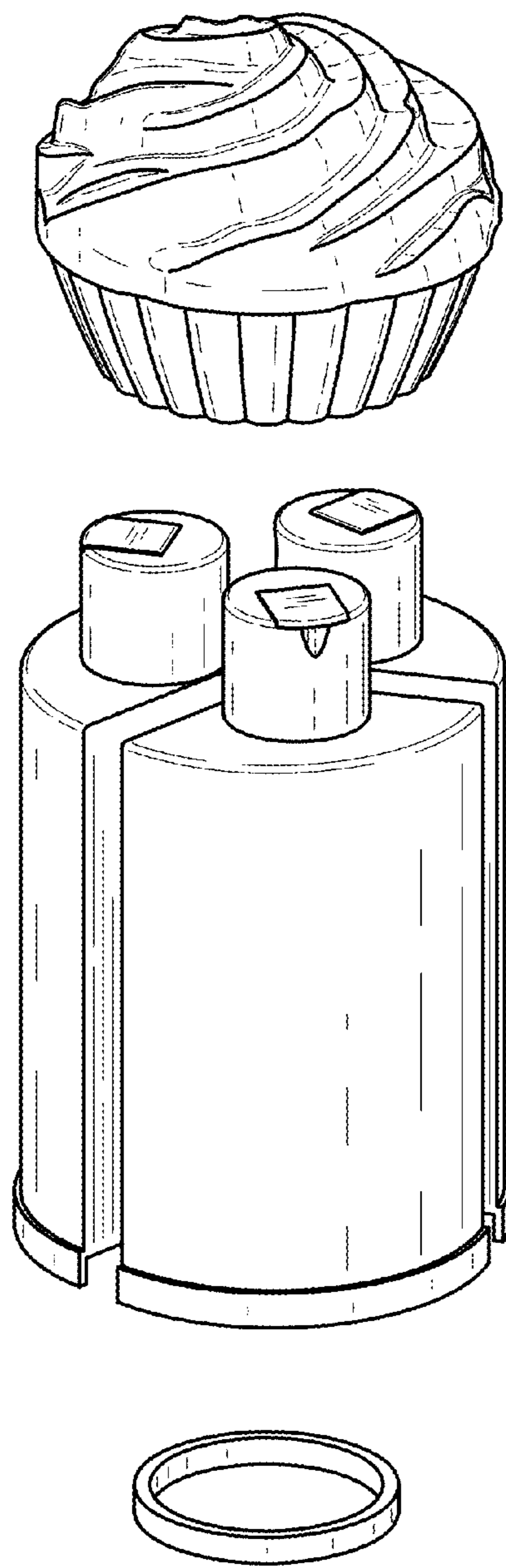


Fig.8

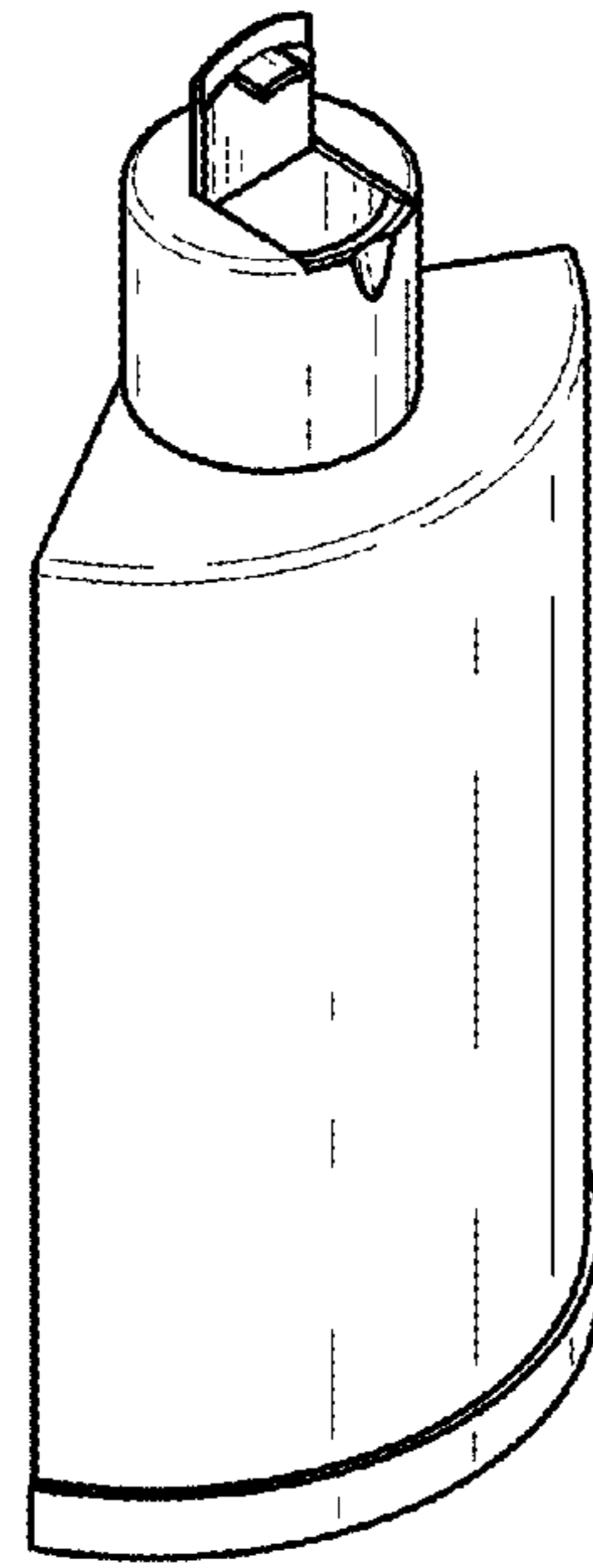


Fig.9A

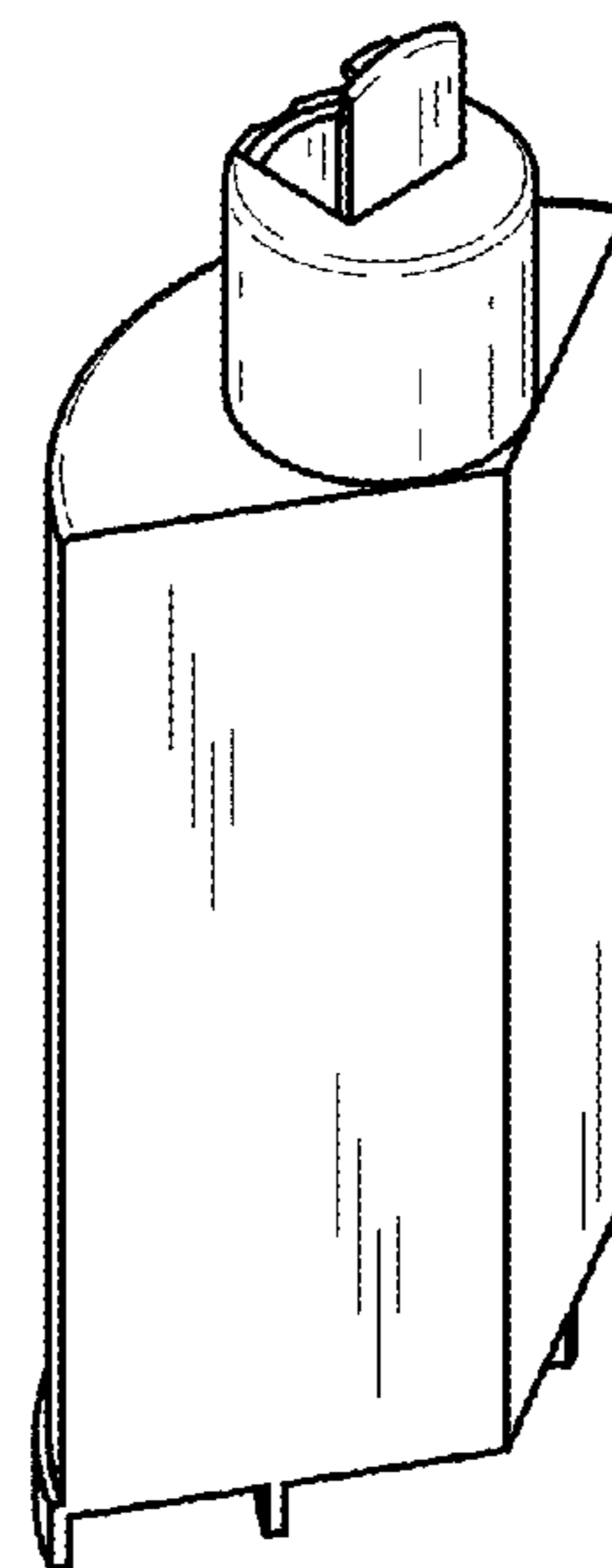


Fig.9B

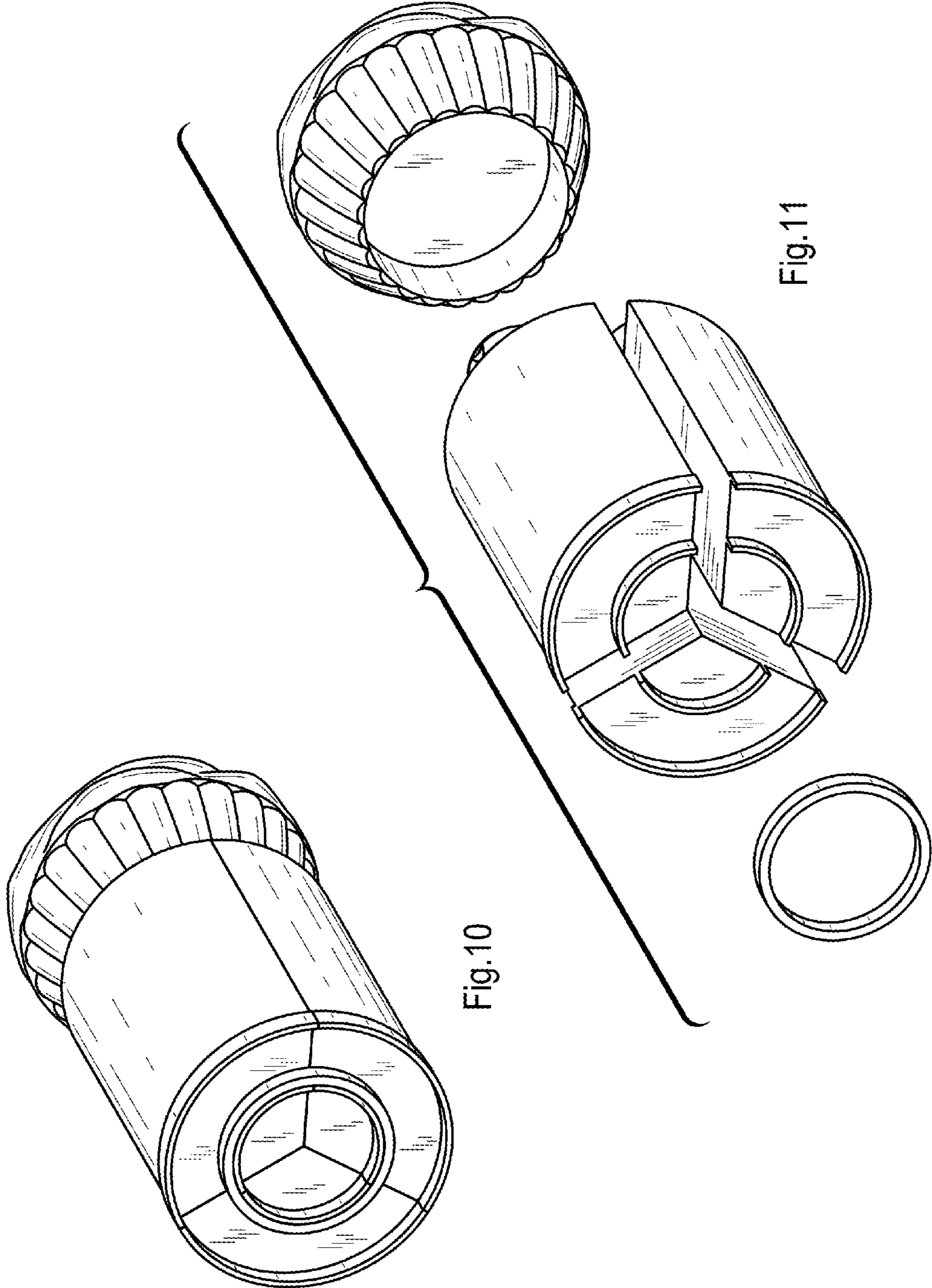


Fig.10

Fig.11