



US00D704059S

(12) **United States Design Patent**  
**Glass et al.**

(10) **Patent No.:** **US D704,059 S**

(45) **Date of Patent:** **\*\* May 6, 2014**

(54) **CIRCULAR TRANSACTION CARD PACKET**

(75) Inventors: **Brett R. Glass**, Overland Park, KS (US);  
**Nicole E. Glass**, Overland Park, KS (US)

(73) Assignee: **Gift Card Impressions, LLC**, Kansas  
City, MO (US)

(\*\*) Term: **14 Years**

(21) Appl. No.: **29/412,221**

(22) Filed: **Jan. 31, 2012**

(51) **LOC (10) Cl.** ..... **09-03**

(52) **U.S. Cl.**  
USPC ..... **D9/457**

(58) **Field of Classification Search**  
USPC ..... D9/457, 415, 418, 423, 425, 433, 434,  
D9/436, 443; 206/6.1, 303, 349, 353, 461,  
206/464, 483, 485, 486, 487, 490, 495, 562,  
206/566, 705; 434/297

See application file for complete search history.

(56) **References Cited**

**U.S. PATENT DOCUMENTS**

1,151,280	A	*	8/1915	McGlashan et al.	.....	434/297
D86,128	S	*	2/1932	Levkoff	.....	D9/418
D197,147	S	*	12/1963	Shapiro	.....	D9/433
D216,007	S	*	11/1969	Kearney	.....	D9/443
D221,524	S	*	8/1971	Field	.....	D9/434
D239,436	S	*	4/1976	Williams	.....	D9/415
3,990,578	A	*	11/1976	Roeser	.....	206/461
D243,443	S	*	2/1977	Hayashi	.....	D9/415
4,099,611	A	*	7/1978	Feibelman	.....	206/6.1
4,166,532	A	*	9/1979	Tsuchida et al.	.....	206/705
D259,100	S	*	5/1981	Markowitz	.....	D9/415
D260,370	S	*	8/1981	Peterson	.....	D9/436
D263,686	S	*	4/1982	Jeremiah	.....	D9/457
D264,815	S	*	6/1982	Lincoln	.....	D9/415

D272,128	S	*	1/1984	Parmentier	.....	D9/425
D276,595	S	*	12/1984	Miller	.....	D9/434
D285,905	S	*	9/1986	Segal	.....	D9/415
D286,140	S	*	10/1986	Kodousek et al.	.....	D9/418
D289,016	S	*	3/1987	Campbell	.....	D9/434
D289,263	S	*	4/1987	Rusnock et al.	.....	D9/433
D291,182	S	*	8/1987	Pelosi	.....	D9/433
D311,138	S	*	10/1990	Chanel	.....	D9/425
D315,102	S	*	3/1991	Chandler	.....	D9/443

(Continued)

**OTHER PUBLICATIONS**

Solvespace Parametric 2D/3D cad; Tutorial: 2D Sketching;  
Solvespace.com; Sep. 26, 2011; <http://solvespace.com/2d.pl> ; Tutorial.\*

(Continued)

*Primary Examiner* — Eric Goodman  
*Assistant Examiner* — Marie D Fast Horse  
(74) *Attorney, Agent, or Firm* — Poisinelli PC

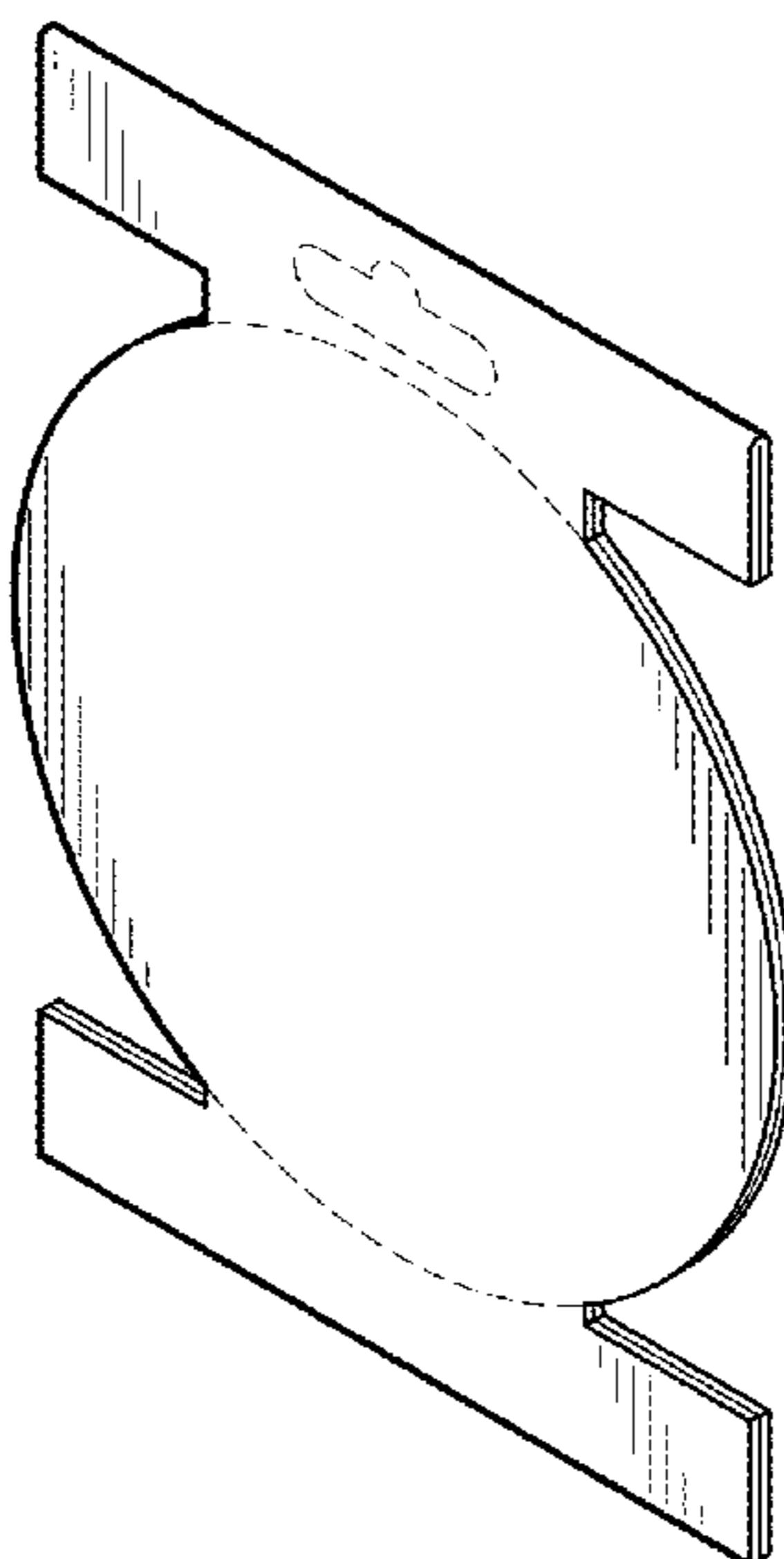
(57) **CLAIM**

The ornamental design for a circular transaction card packet,  
as shown and described.

**DESCRIPTION**

FIG. 1 is a front perspective view of a circular transaction card packet according to an embodiment of the invention; FIG. 2 is a top plan view of the packet of FIG. 1; FIG. 3 is a front elevation view of the packet of FIG. 1; FIG. 4 is a right elevation view of the packet of FIG. 1, the left elevation view being a mirror image thereof; FIG. 5 is rear elevation view of the packet of FIG. 1; and, FIG. 6 is a bottom plan view of the packet of FIG. 1. The broken lines in the drawings depict portions of the article and form no part of the claimed design.

**1 Claim, 1 Drawing Sheet**



(56)

References Cited

U.S. PATENT DOCUMENTS

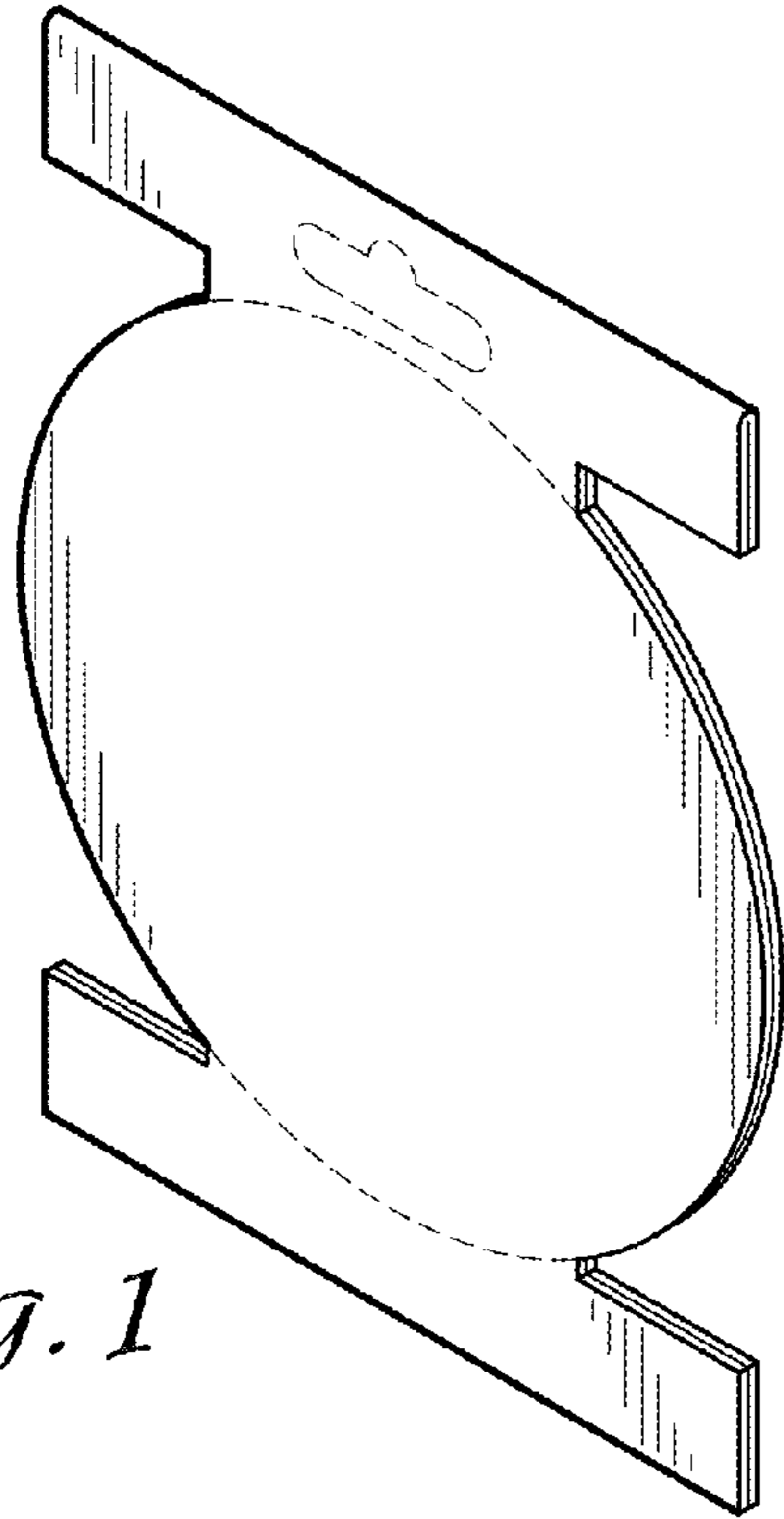
D322,030 S \* 12/1991 Chument ..... D9/415  
 5,251,756 A \* 10/1993 Grange ..... 206/461  
 D358,987 S \* 6/1995 Clutter et al. .... D9/415  
 D365,024 S \* 12/1995 DuBow ..... D9/434  
 D365,753 S \* 1/1996 Sibbio ..... D9/415  
 D380,963 S \* 7/1997 Lee ..... D9/415  
 D381,578 S \* 7/1997 Kuo ..... D9/415  
 D386,405 S \* 11/1997 Bernstein et al. .... D9/415  
 D413,801 S \* 9/1999 Bell ..... D9/415  
 D414,410 S \* 9/1999 Klein et al. .... D9/415  
 D414,412 S \* 9/1999 Brunianyn ..... D9/415  
 5,947,297 A \* 9/1999 Aoki et al. .... 206/705  
 D419,064 S \* 1/2000 Gorry ..... D9/415  
 6,029,815 A \* 2/2000 Ali ..... 206/349  
 D427,061 S \* 6/2000 Niksich ..... D9/415  
 D427,069 S \* 6/2000 Carter ..... D9/436  
 6,073,758 A \* 6/2000 Webster et al. .... 206/6.1  
 D427,906 S \* 7/2000 Carter ..... D9/436  
 D432,410 S \* 10/2000 Schwartz ..... D9/415  
 D437,552 S \* 2/2001 Findle et al. .... D9/415  
 D438,103 S \* 2/2001 Edwards et al. .... D9/415  
 6,230,964 B1 \* 5/2001 Saito ..... 229/92.8  
 6,244,444 B1 \* 6/2001 Jacobus et al. .... 206/703  
 D451,389 S \* 12/2001 Bozlee ..... D9/434  
 D459,222 S \* 6/2002 Mello et al. .... D9/418  
 D496,265 S \* 9/2004 Dossett et al. .... D9/415  
 6,953,117 B2 \* 10/2005 Schein et al. .... 206/705  
 D524,152 S \* 7/2006 Recchia ..... D9/415  
 D535,554 S \* 1/2007 Kent ..... D9/415  
 D544,347 S \* 6/2007 Last ..... D9/436

D546,182 S \* 7/2007 Hanji ..... D9/457  
 D568,406 S \* 5/2008 Kealy ..... D20/27  
 D576,030 S \* 9/2008 Lee et al. .... D9/415  
 D577,577 S \* 9/2008 Lee et al. .... D9/415  
 D578,874 S \* 10/2008 Smith et al. .... D9/418  
 D588,012 S \* 3/2009 Navarro ..... D9/668  
 D599,214 S \* 9/2009 Born et al. .... D9/667  
 D601,021 S \* 9/2009 Hogenbirk ..... D9/457  
 D614,490 S \* 4/2010 Ouimette et al. .... D9/457  
 D615,401 S \* 5/2010 Ouimette et al. .... D9/457  
 D615,402 S \* 5/2010 Doster ..... D9/457  
 7,926,662 B2 \* 4/2011 Ouimette et al. .... 206/702  
 D653,107 S \* 1/2012 Margan ..... D9/434  
 D681,453 S \* 5/2013 Glass et al. .... D9/433  
 D682,669 S \* 5/2013 Gottschalk ..... D9/415  
 D682,670 S \* 5/2013 Gottschalk ..... D9/415  
 D682,671 S \* 5/2013 Gottschalk ..... D9/415  
 D683,209 S \* 5/2013 Gottschalk ..... D9/415  
 D684,041 S \* 6/2013 Gottschalk ..... D9/415  
 D684,862 S \* 6/2013 DiFranza ..... D9/457  
 D688,026 S \* 8/2013 Vaughn ..... D1/102  
 2005/0040056 A1 \* 2/2005 Matsuno ..... 206/307  
 2007/0029223 A1 \* 2/2007 Mazurek ..... 206/463  
 2007/0199842 A1 \* 8/2007 Liedenbaum ..... 206/308.1

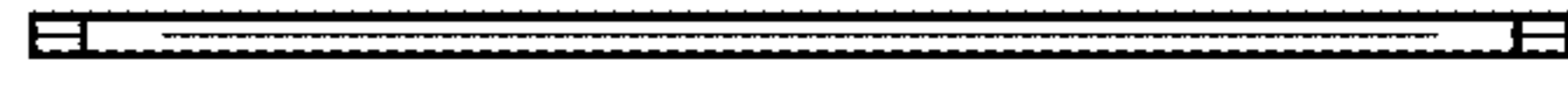
OTHER PUBLICATIONS

Fish Bowl Shaped Card; Judy's Handmade Creations;  
 judyscardmakingandpapercrafts.blog; Aug. 10, 2010; [http://judyscardmakingandpapercrafts.blogspot.com/2010\\_08\\_01\\_archive.html](http://judyscardmakingandpapercrafts.blogspot.com/2010_08_01_archive.html) ; Blog.\*

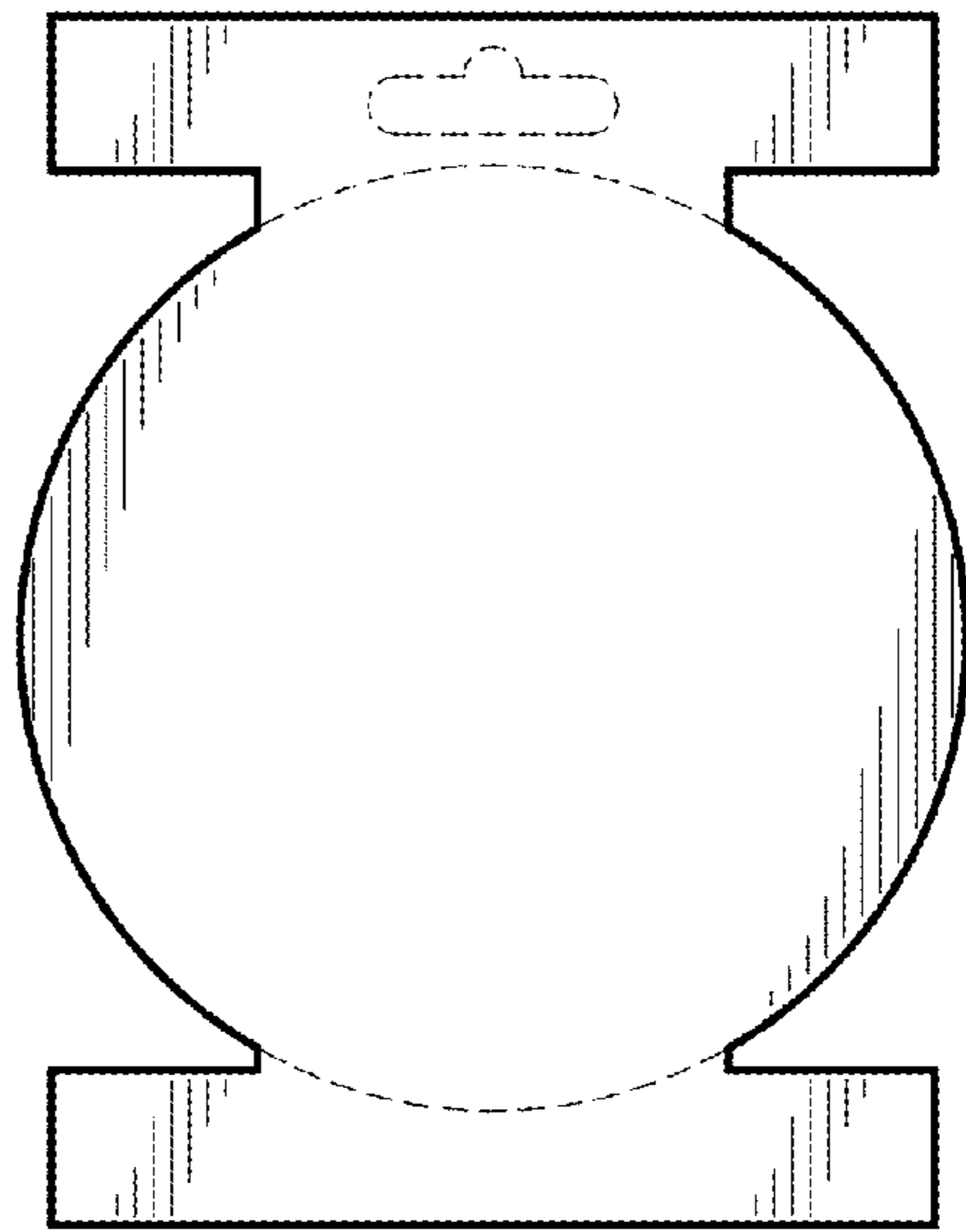
\* cited by examiner



*Fig. 1*



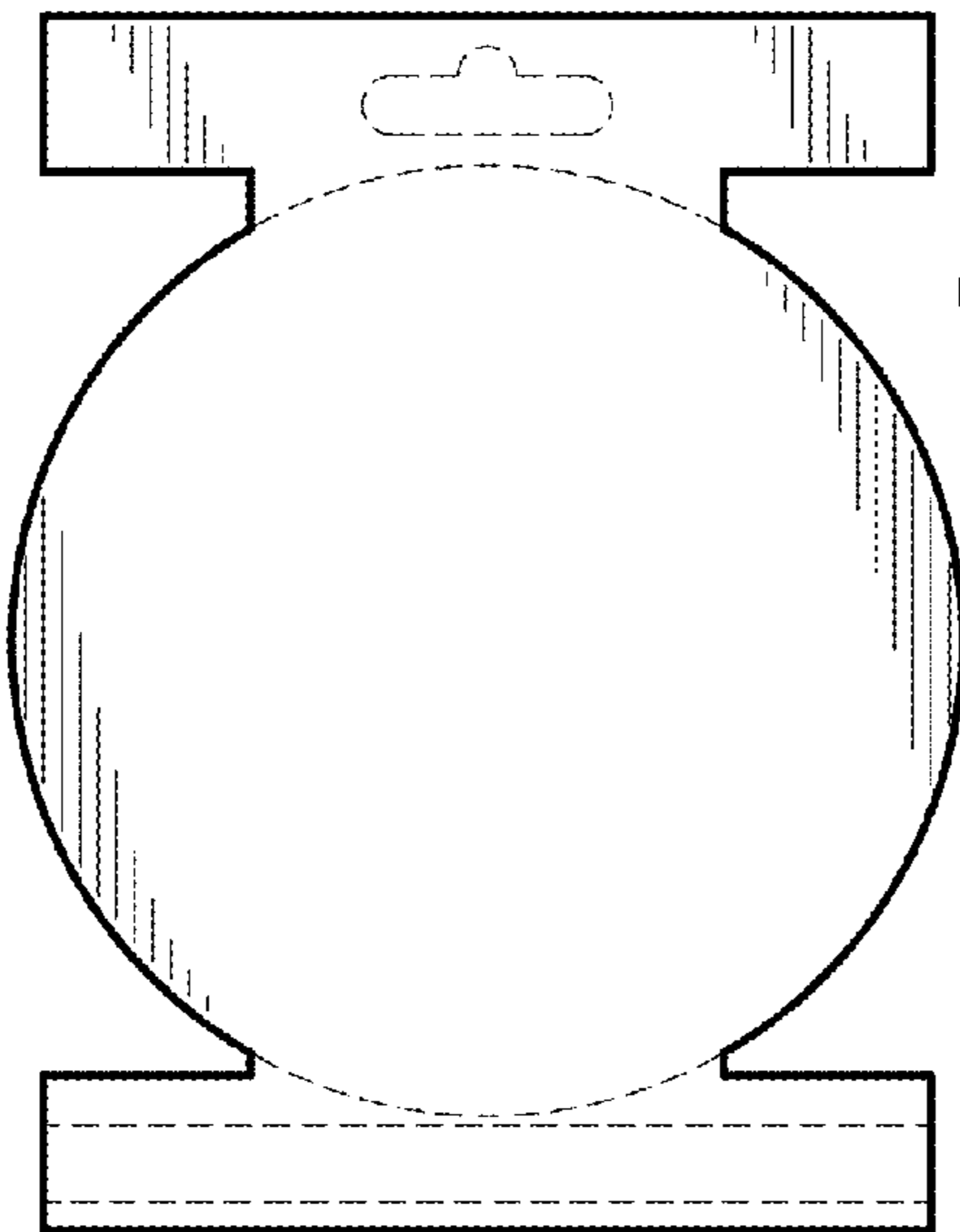
*Fig. 2*



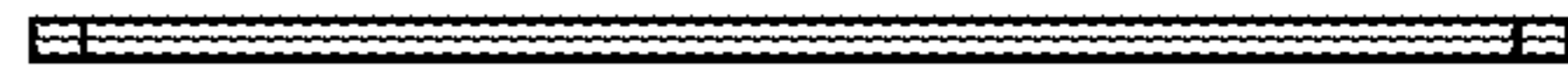
*Fig. 3*



*Fig. 4*



*Fig. 5*



*Fig. 6*